



US00D567987S

(12) **United States Design Patent**
Khubani

(10) **Patent No.:** **US D567,987 S**
(45) **Date of Patent:** **** Apr. 29, 2008**

(54) **SELF-ADHESIVE LIGHT UNIT**

(75) Inventor: **Ashok Khubani**, Fairfield, NJ (US)

(73) Assignee: **Ontel Products Corporation**, Fairfield, NJ (US)

(**) Term: **14 Years**

(21) Appl. No.: **29/264,608**

(22) Filed: **Aug. 11, 2006**

(51) **LOC (8) Cl.** **26-03**

(52) **U.S. Cl.** **D26/85; D26/89**

(58) **Field of Classification Search** D26/72,
D26/85-92, 37; 362/147, 431, 432, 362,
362/155-157

See application file for complete search history.

(56) **References Cited**

U.S. PATENT DOCUMENTS

1,327,017	A *	1/1920	Boltshauser	362/196
D222,500	S *	10/1971	Gugelot et al.	D26/37
D343,019	S *	1/1994	Garrity	D26/37
D384,181	S *	9/1997	Borden	D26/110
D431,307	S *	9/2000	Zelina et al.	D26/24

6,848,808	B2 *	2/2005	Guerrieri	362/156
7,192,167	B1 *	3/2007	Kuo	362/362
2006/0250789	A1 *	11/2006	Coushaine	362/157

OTHER PUBLICATIONS

Sylvania DOT.it Product Sheet.

* cited by examiner

Primary Examiner—Clare E Heflin

(74) *Attorney, Agent, or Firm*—Robert L. Epstein; Epstein Drangel Bazerman & James

(57) **CLAIM**

The ornamental design for a self-adhesive light unit, substantially as shown and described.

DESCRIPTION

FIG. 1 is an isometric view of my invention;

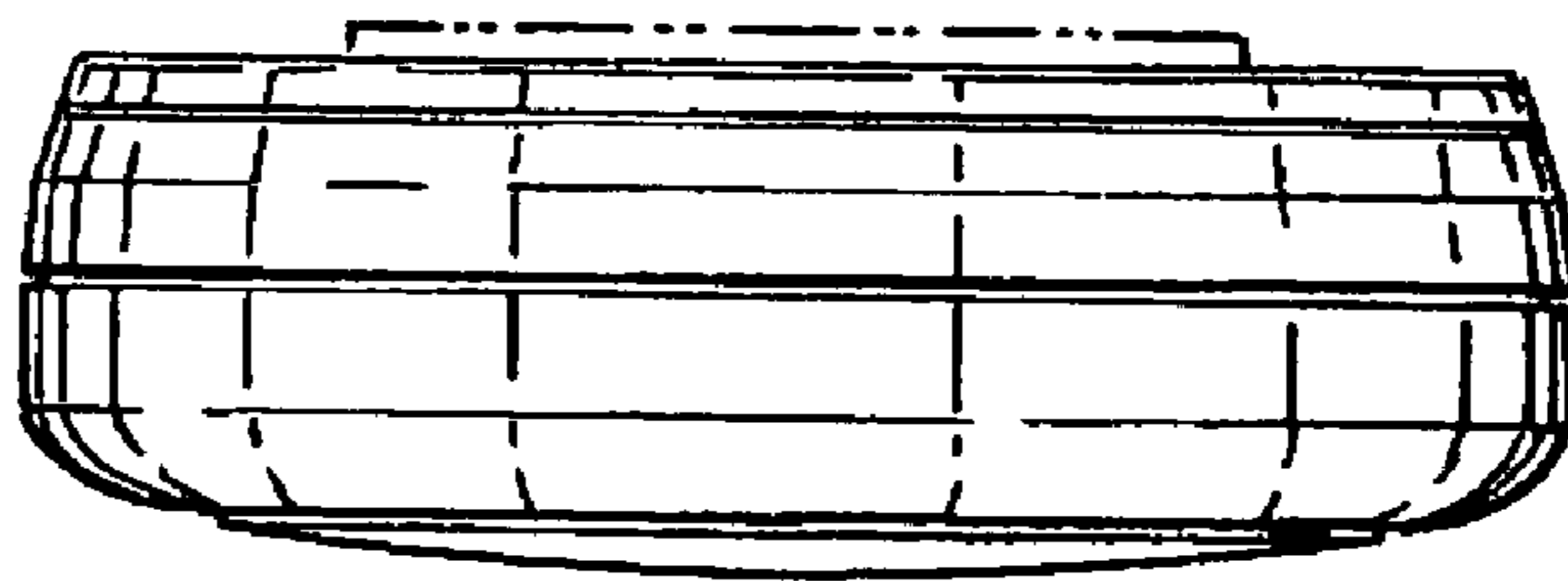
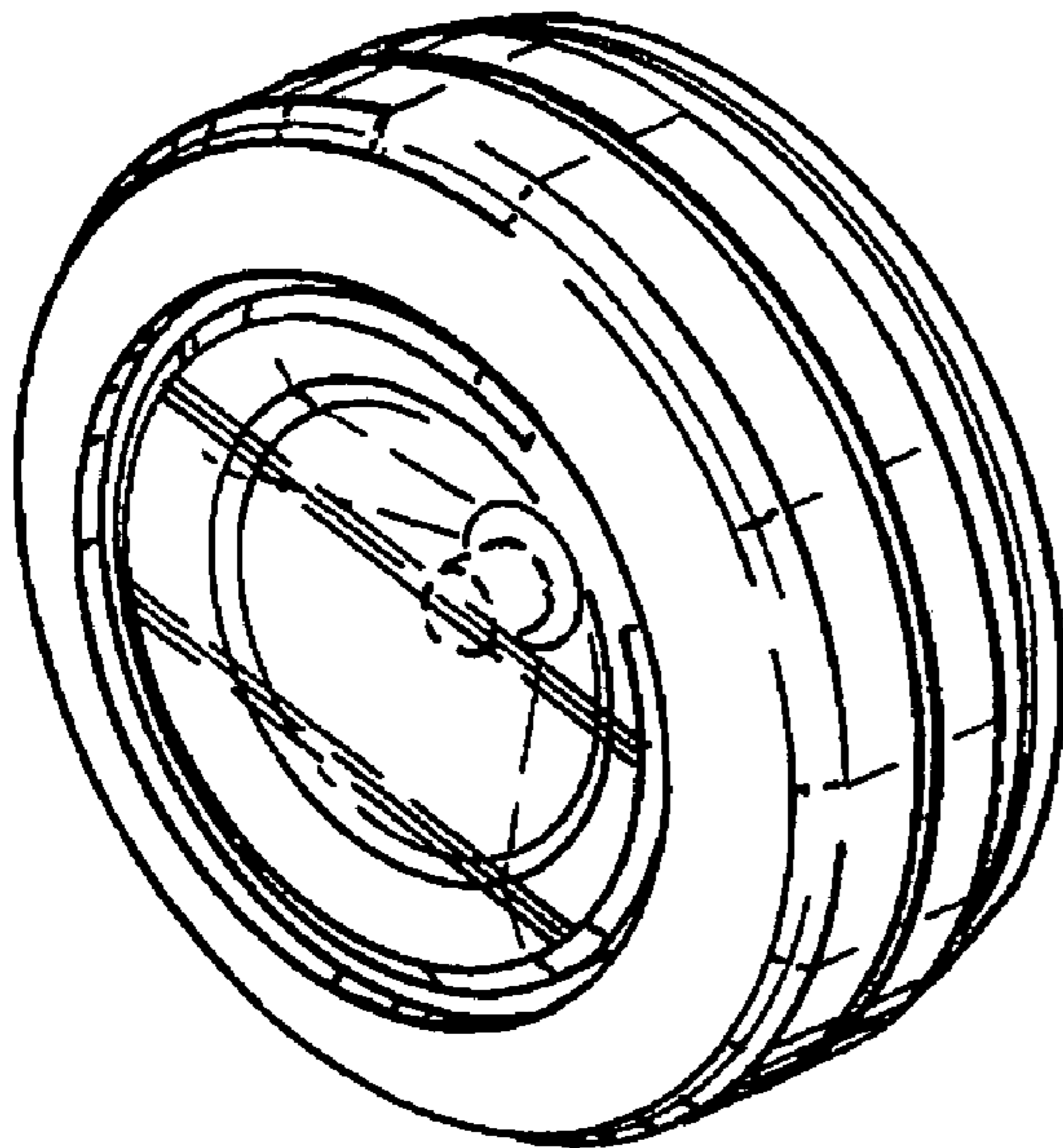
FIG. 2 is a front elevation view of my invention;

FIG. 3 is a rear elevation view of my invention; and,

FIG. 4 is a side elevation view of my invention.

The broken lines shown on the drawings are for illustrative purposes only and form no part of the claimed design.

1 Claim, 1 Drawing Sheet



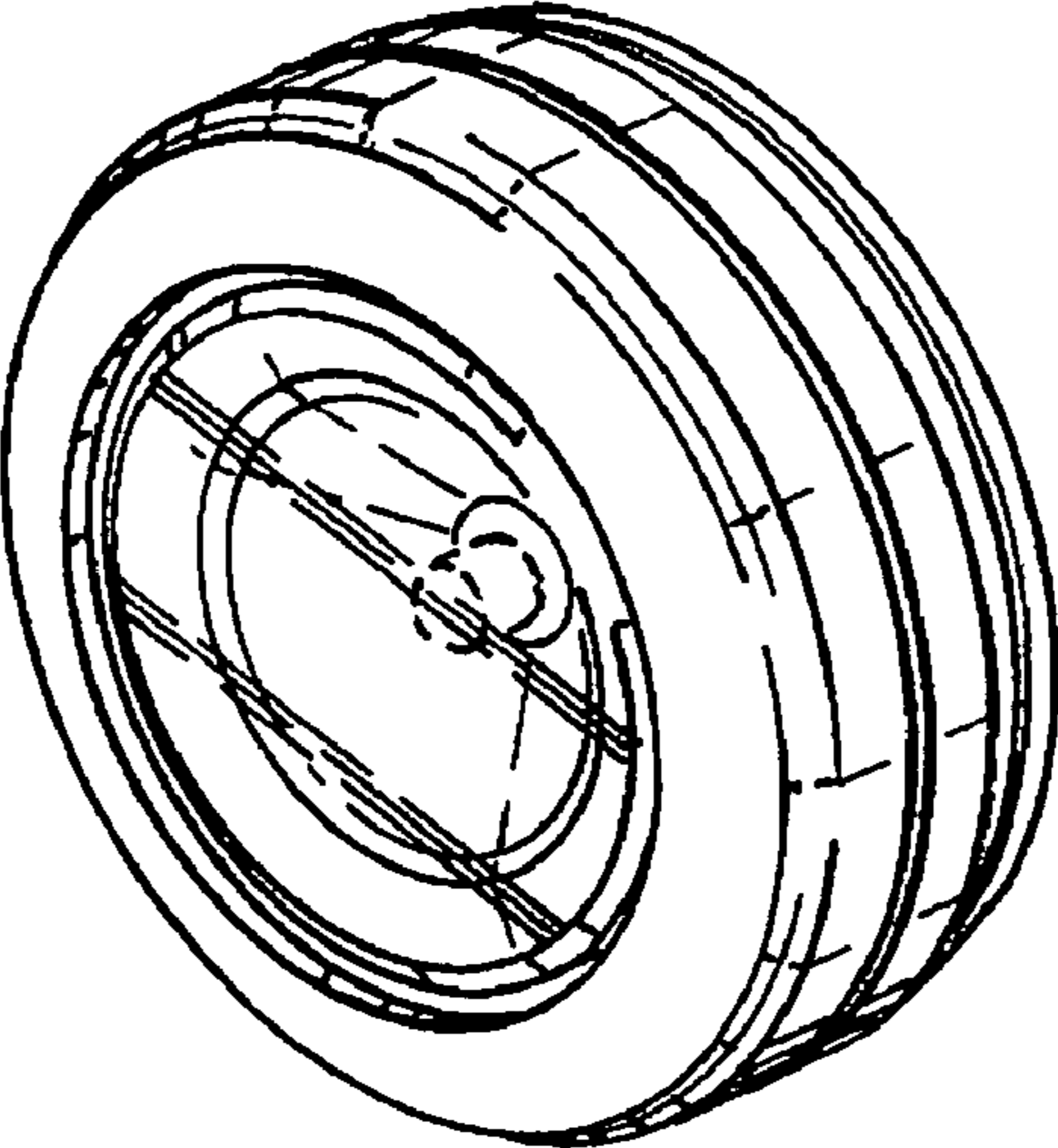


Fig. 1

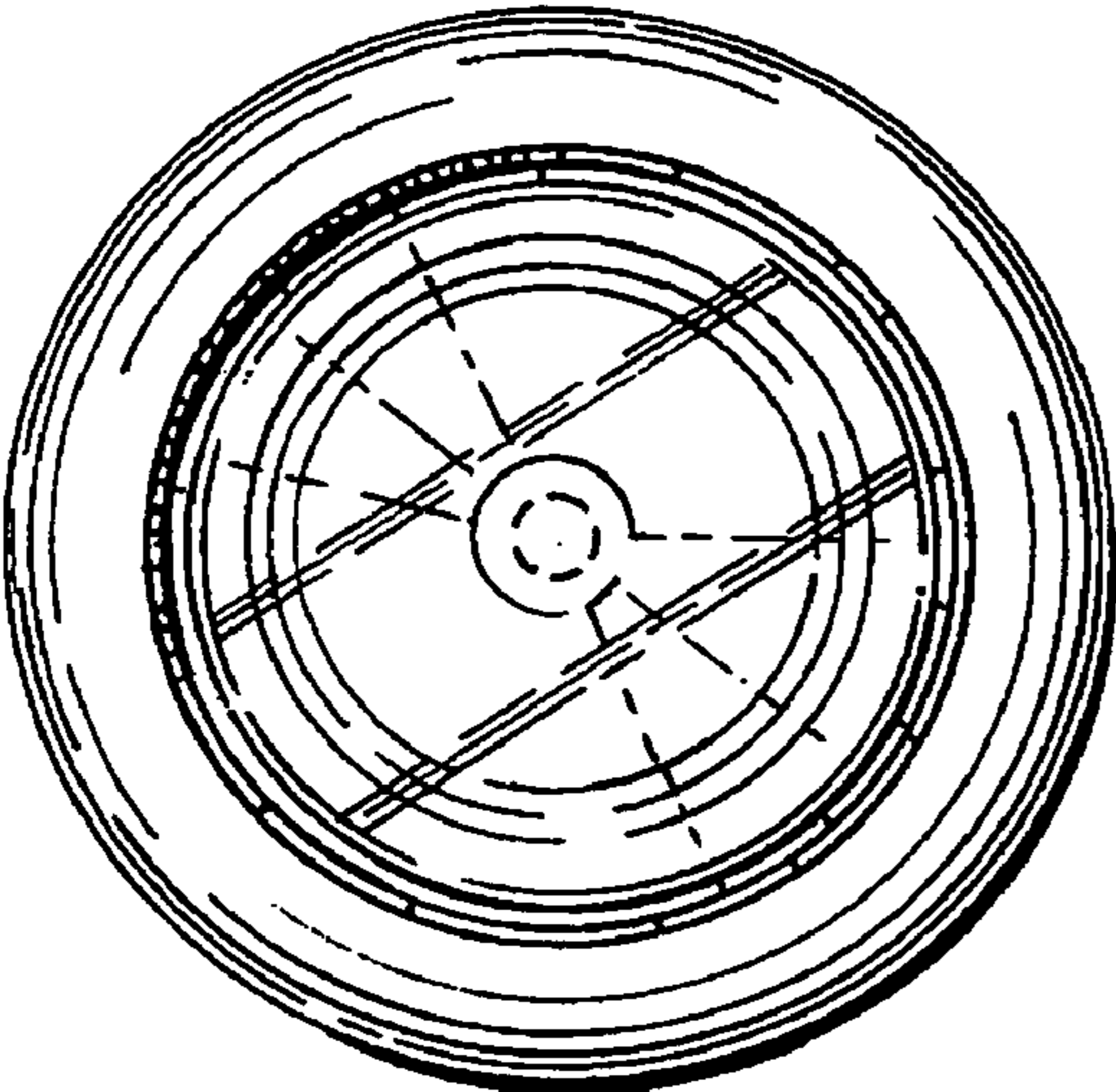


Fig. 2

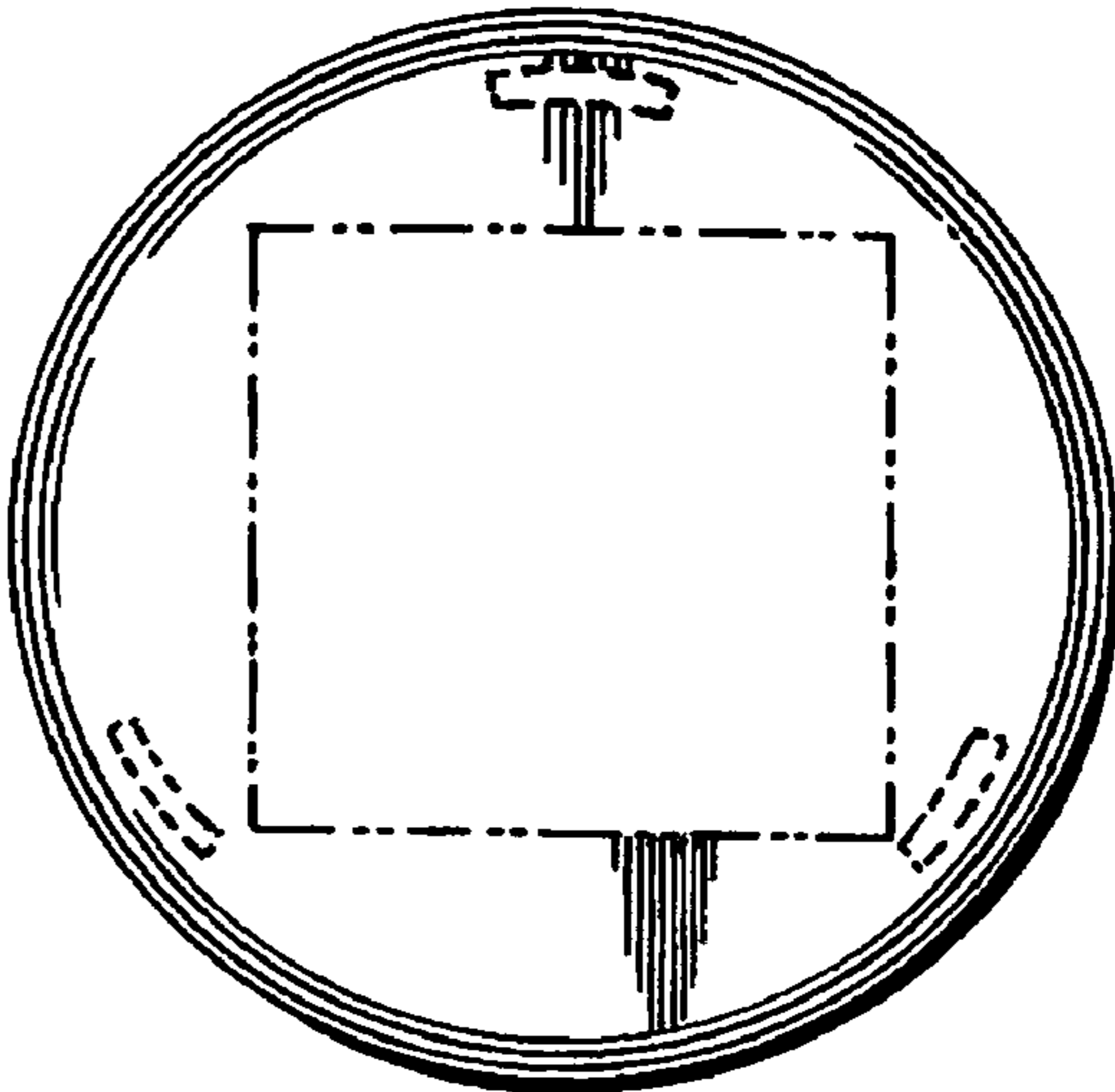


Fig. 3

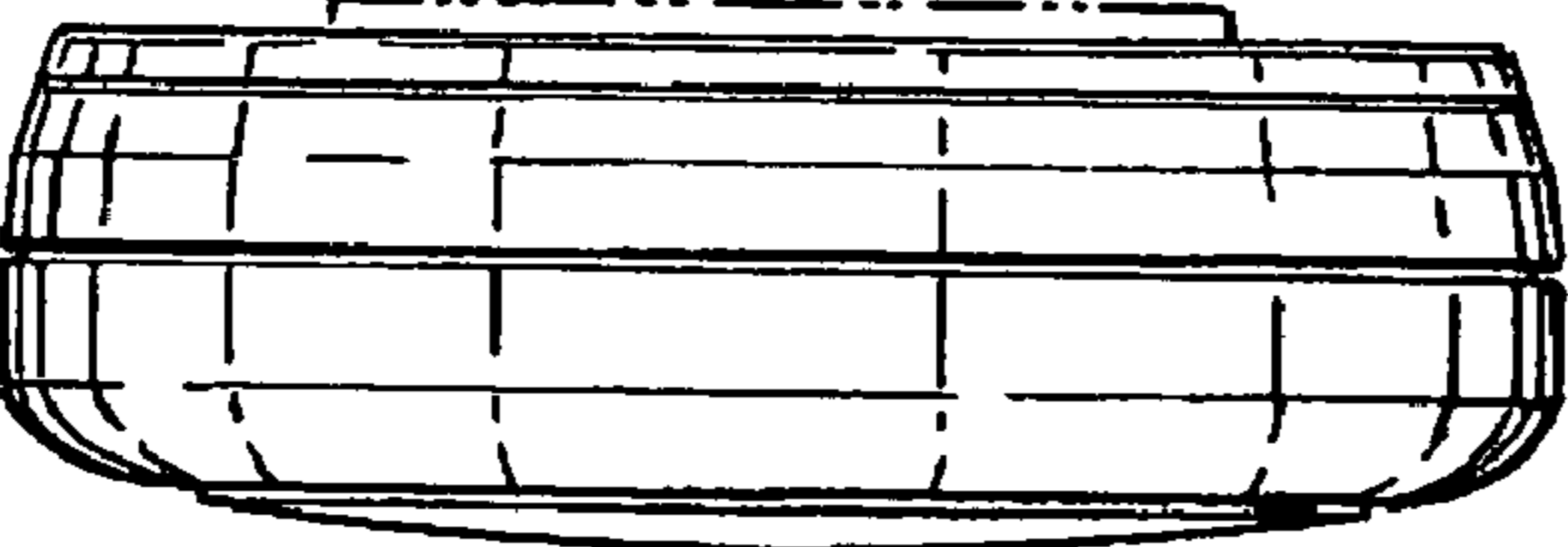


Fig. 4