

US00D567985S

(12) **United States Design Patent**
Komar et al.

(10) **Patent No.:** **US D567,985 S**

(45) **Date of Patent:** **** Apr. 29, 2008**

(54) **CEILING LIGHT**

D521,172 S * 5/2006 Chen D26/76

(75) Inventors: **Jürgen Komar**, Rott am Inn (DE);
Robert Wolf, Deuringen (DE)

* cited by examiner

Primary Examiner—Clare E Heflin

(73) Assignee: **OSRAM Gesellschaft mit**
beschränkter Haftung, Munich (DE)

(74) *Attorney, Agent, or Firm*—Frishauf, Holtz, Goodman &
Chick, P.C.

(**) Term: **14 Years**

(57) **CLAIM**

(21) Appl. No.: **29/267,123**

The ornamental design for a ceiling light, as shown and
described.

(22) Filed: **Oct. 5, 2006**

DESCRIPTION

(30) **Foreign Application Priority Data**

Apr. 6, 2006 (EP) 000516893

FIG. 1 is a perspective view of a ceiling light showing our
new design;

(51) **LOC (8) Cl.** **26-03**

FIG. 2 is a left side elevational view thereof, the right side
elevational view being a mirror image;

(52) **U.S. Cl.** **D26/84; D26/90**

FIG. 3 is a front elevational view thereof, the rear elevational
view being a mirror image;

(58) **Field of Classification Search** D26/72,
D26/75, 76, 80-92; 362/147, 224, 227, 240,
362/404-408

See application file for complete search history.

FIG. 4 is a top plan view thereof;

FIG. 5 is a bottom plan view thereof;

(56) **References Cited**

U.S. PATENT DOCUMENTS

- D127,173 S * 5/1941 Levy D26/76
- D132,144 S * 4/1942 Hallman D25/84
- D140,107 S * 1/1945 Lippincott D26/76
- D193,022 S * 6/1962 Zurawski D26/76
- D300,953 S * 5/1989 Hughes et al. D26/78
- 6,305,816 B1 * 10/2001 Corcorran et al. 362/147
- D472,007 S * 3/2003 Weitgasser D26/76
- D492,809 S * 7/2004 Weitgasser D26/76

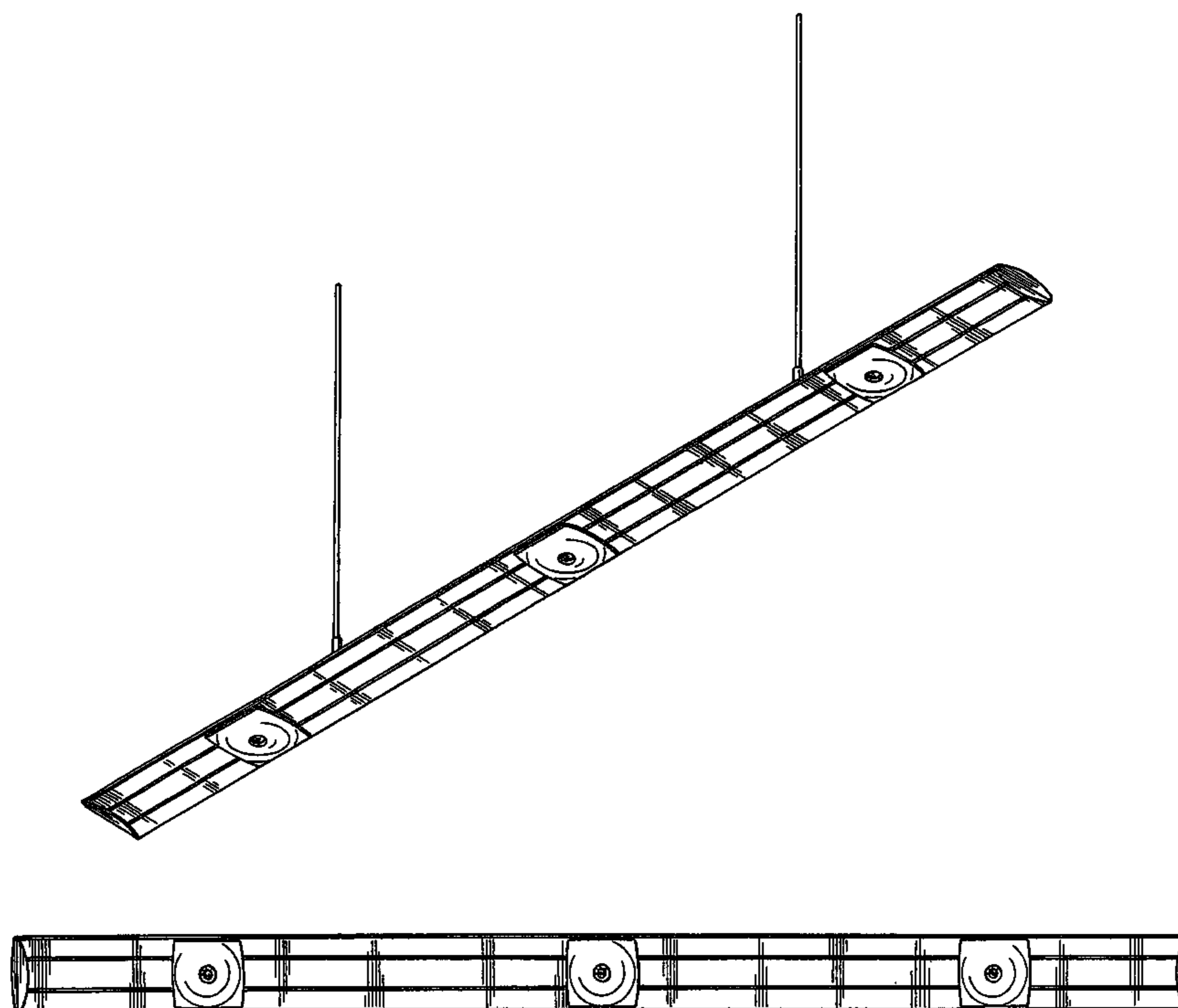
FIG. 6 is a perspective view of a modified embodiment
thereof;

FIG. 7 is a left side elevational view thereof, the right side
elevational view being a mirror image;

FIG. 8 is a front elevational view thereof, the rear elevational
view being a mirror image; and,

FIG. 9 is a top plan view thereof, the bottom plan view being
identical to FIG. 5.

1 Claim, 3 Drawing Sheets



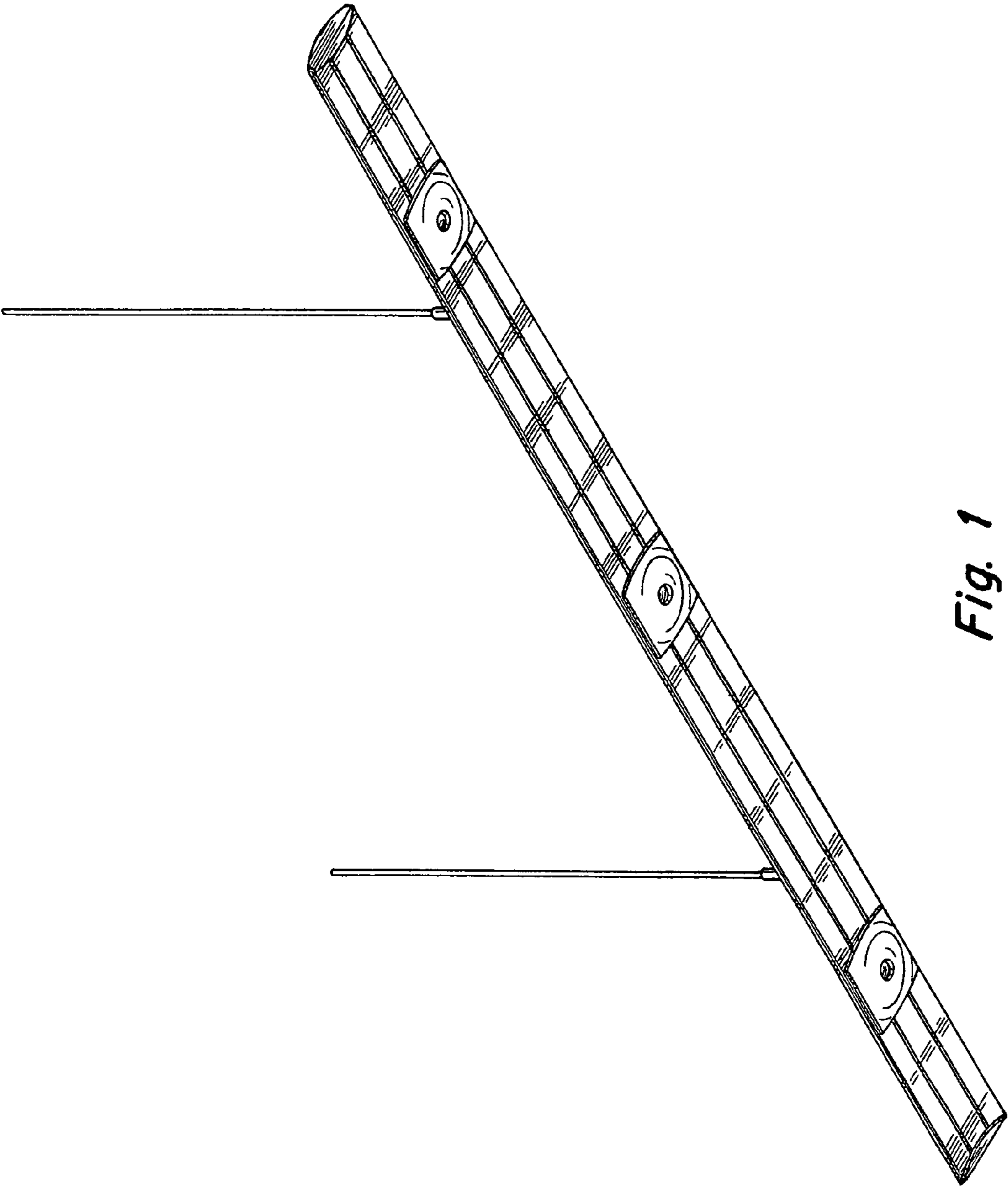
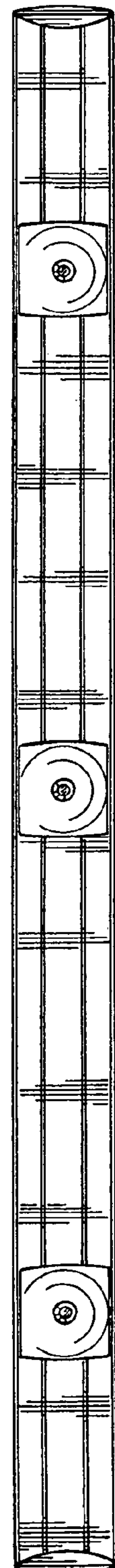
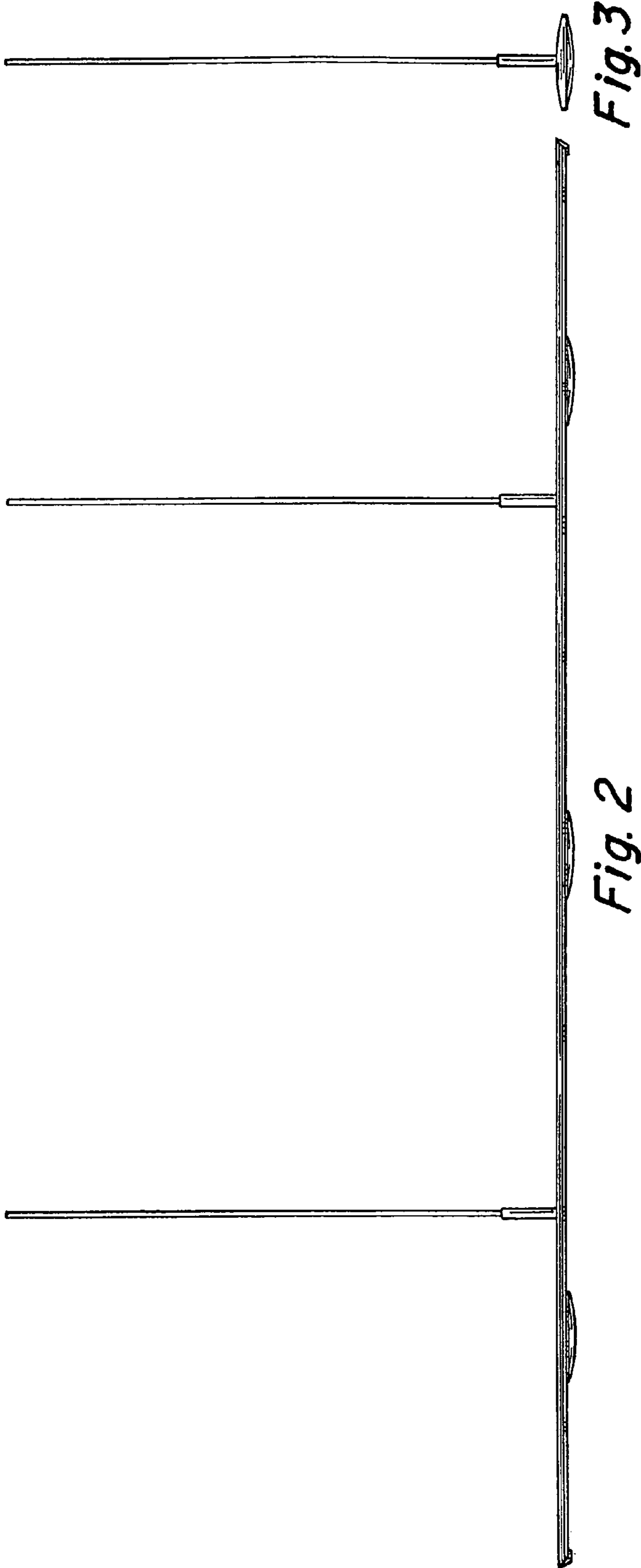


Fig. 1



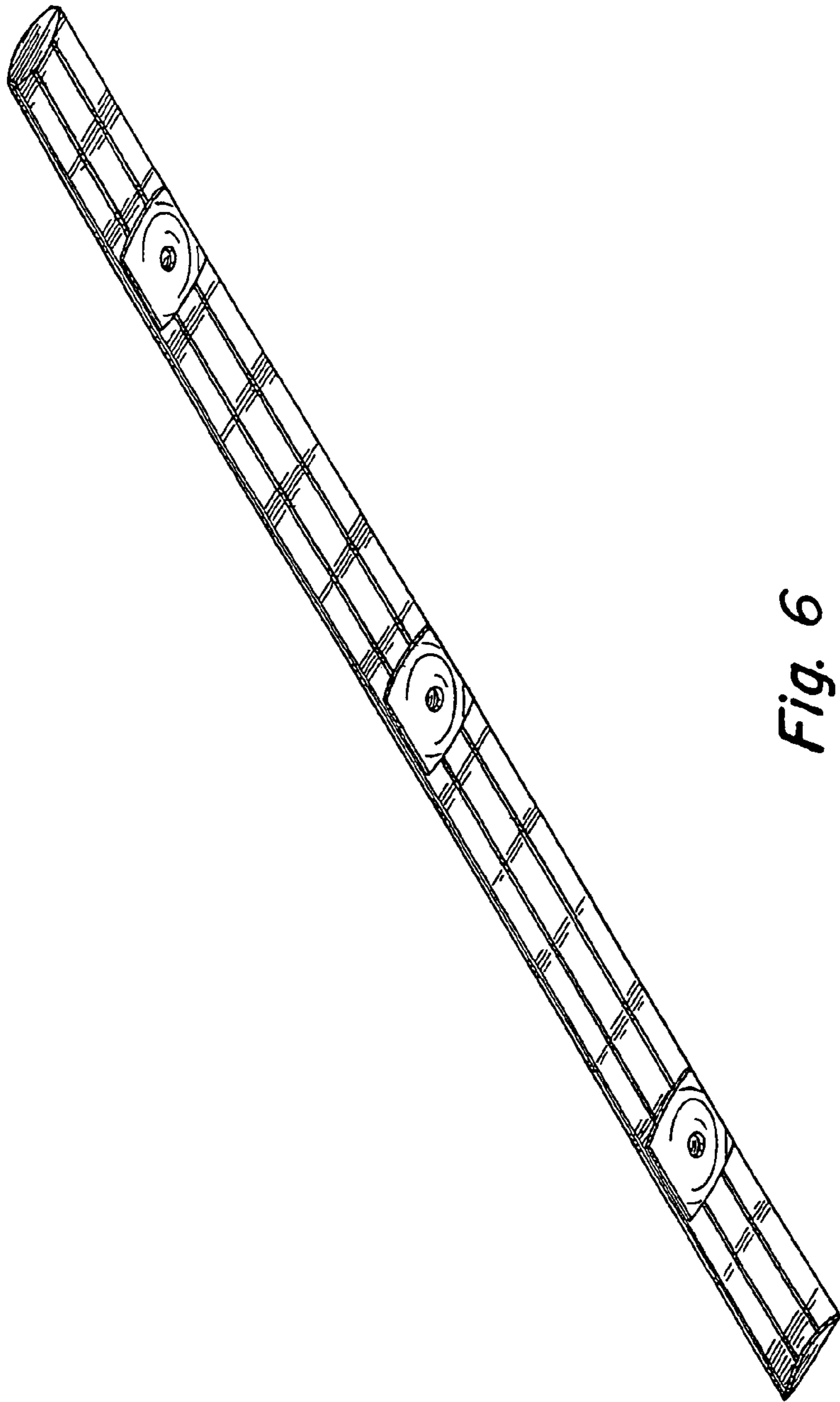


Fig. 6



Fig. 7



Fig. 8



Fig. 9