

US00D567984S

(12) **United States Design Patent**  
**Chen**

(10) **Patent No.:** **US D567,984 S**

(45) **Date of Patent:** **\*\* \*Apr. 29, 2008**

(54) **LAMP**  
(75) Inventor: **Chi Gon Chen**, Guang Zhou (CN)

(73) Assignee: **International Development Corporation**, Roanoke, TX (US)

(\*) Notice: This patent is subject to a terminal disclaimer.

(\*\*) Term: **14 Years**

(21) Appl. No.: **29/193,595**

(22) Filed: **Nov. 12, 2003**

(51) **LOC (8) Cl.** ..... **26-05**

(52) **U.S. Cl.** ..... **D26/67**

(58) **Field of Classification Search** ..... D26/67-72,  
D26/87, 92, 118; 362/152, 153, 153.1, 159,  
362/183, 266, 363, 431, 432

See application file for complete search history.

(56) **References Cited**

U.S. PATENT DOCUMENTS

D106,031 S	*	9/1937	Gosling	.....	D26/67
D202,440 S	*	9/1965	Pettengill	.....	D26/67
D249,819 S	*	10/1978	Asaki	.....	D26/67
D326,728 S	*	6/1992	Layne	.....	D26/67
D329,099 S	*	9/1992	Hall et al.	.....	D26/67
D346,873 S	*	5/1994	Frost	.....	D26/67
D391,384 S	*	2/1998	Lerch	.....	D26/67
D392,407 S	*	3/1998	Johnson et al.	.....	D26/67
D421,316 S	*	2/2000	Fiorato	.....	D26/74
D445,209 S		7/2001	Chen		
D445,210 S		7/2001	Chen		
D445,524 S		7/2001	Chen		
D445,525 S		7/2001	Pan		
D445,939 S		7/2001	Pan		
D451,620 S		12/2001	Chen		
D452,029 S		12/2001	Chen		
D457,979 S		5/2002	Chen		

D466,243 S		11/2002	Chen		
D468,470 S		1/2003	Chen		
D468,471 S		1/2003	Chen		
D469,907 S		2/2003	Chen		
D469,908 S		2/2003	Chen		
D469,909 S		2/2003	Chen		
D483,138 S		12/2003	Chen		
D484,630 S		12/2003	Chen		
D484,631 S		12/2003	Chen		
D485,000 S		1/2004	Chen		
D485,001 S		1/2004	Chen		
D485,930 S		1/2004	Chen		
D499,831 S	*	12/2004	Chen	.....	D26/68
D500,159 S	*	12/2004	Chen	.....	D26/68
2003/0081406 A1	*	5/2003	Lin	.....	362/96

FOREIGN PATENT DOCUMENTS

CA	99516	6/2003
CA	99517	6/2003
CA	99518	6/2003
CA	99519	6/2003

\* cited by examiner

Primary Examiner—Clare E Heflin

(74) Attorney, Agent, or Firm—Strasburger & Price, LLP

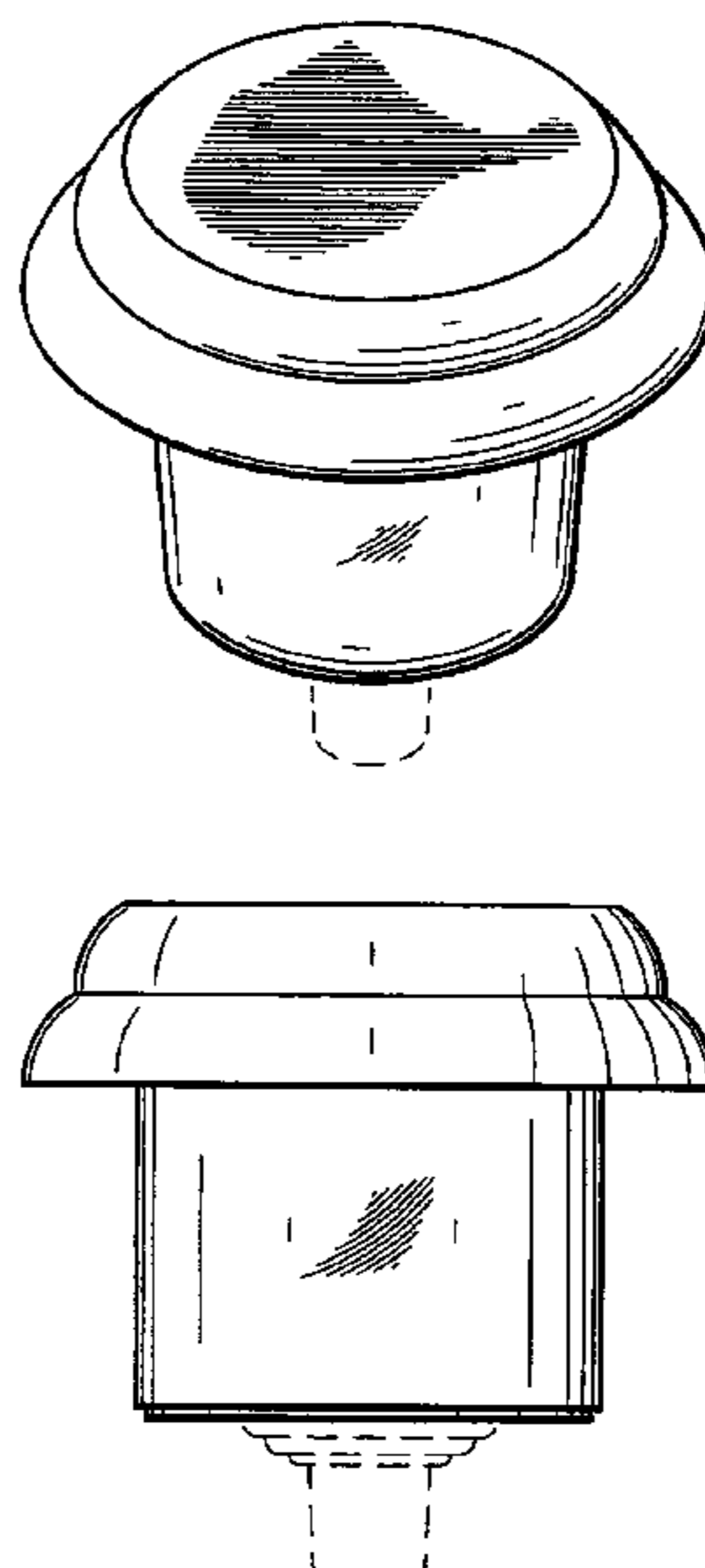
(57) **CLAIM**

The ornamental design for a lamp, as shown and described.

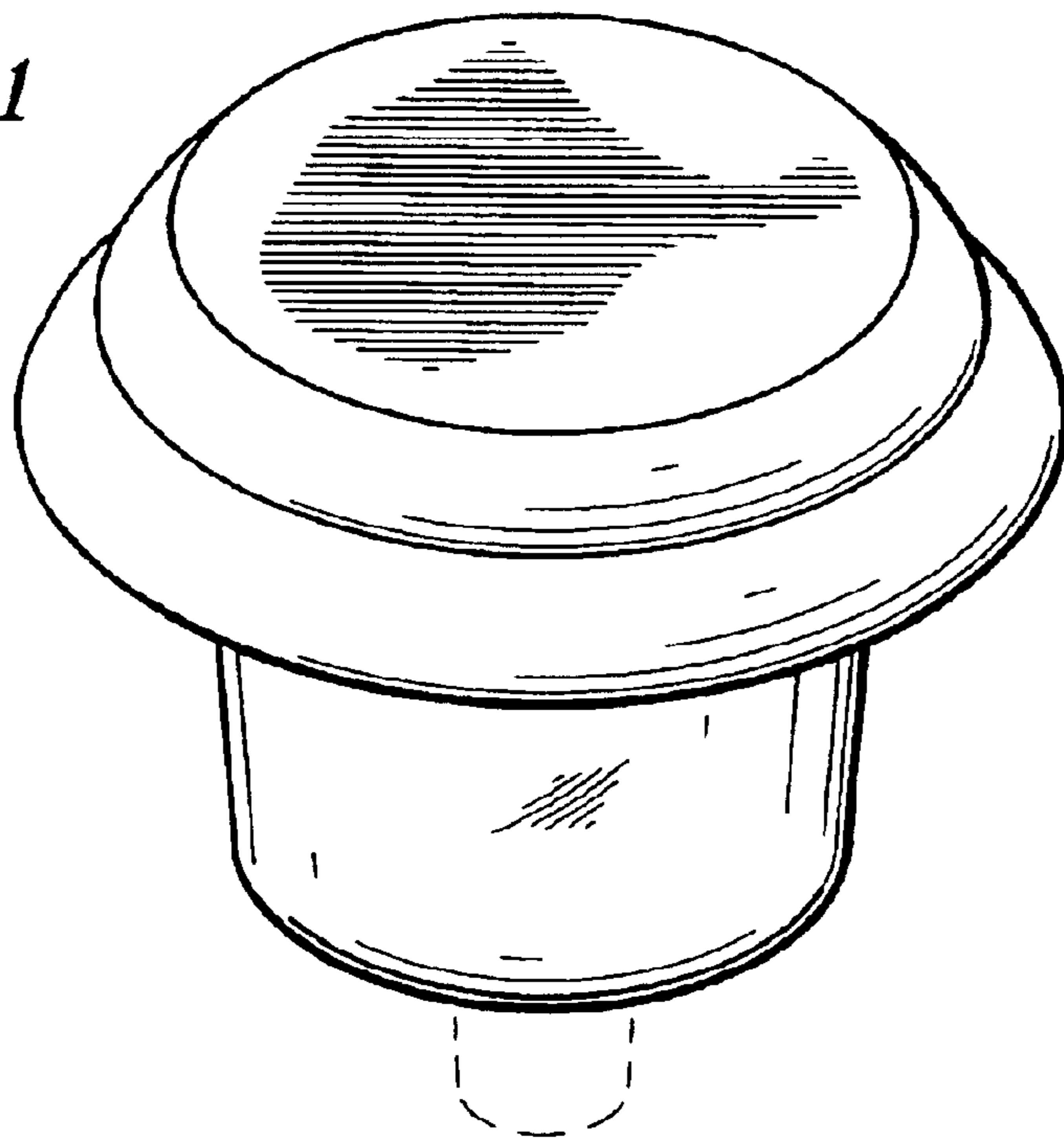
**DESCRIPTION**

FIG. 1 is a perspective view of the lamp of my new design; FIG. 2 is a front elevation view of the lamp with the rear elevation view being identical thereto; FIG. 3 is a right side elevation view of the lamp with the left side elevation view being identical thereto; FIG. 4 is a top plan view thereof; and, FIG. 5 is a bottom plan view thereof. The broken lines showing a base for the lamp are for illustrative purposes only and form no part of the claimed design.

**1 Claim, 2 Drawing Sheets**



*FIG. 1*



*FIG. 2*

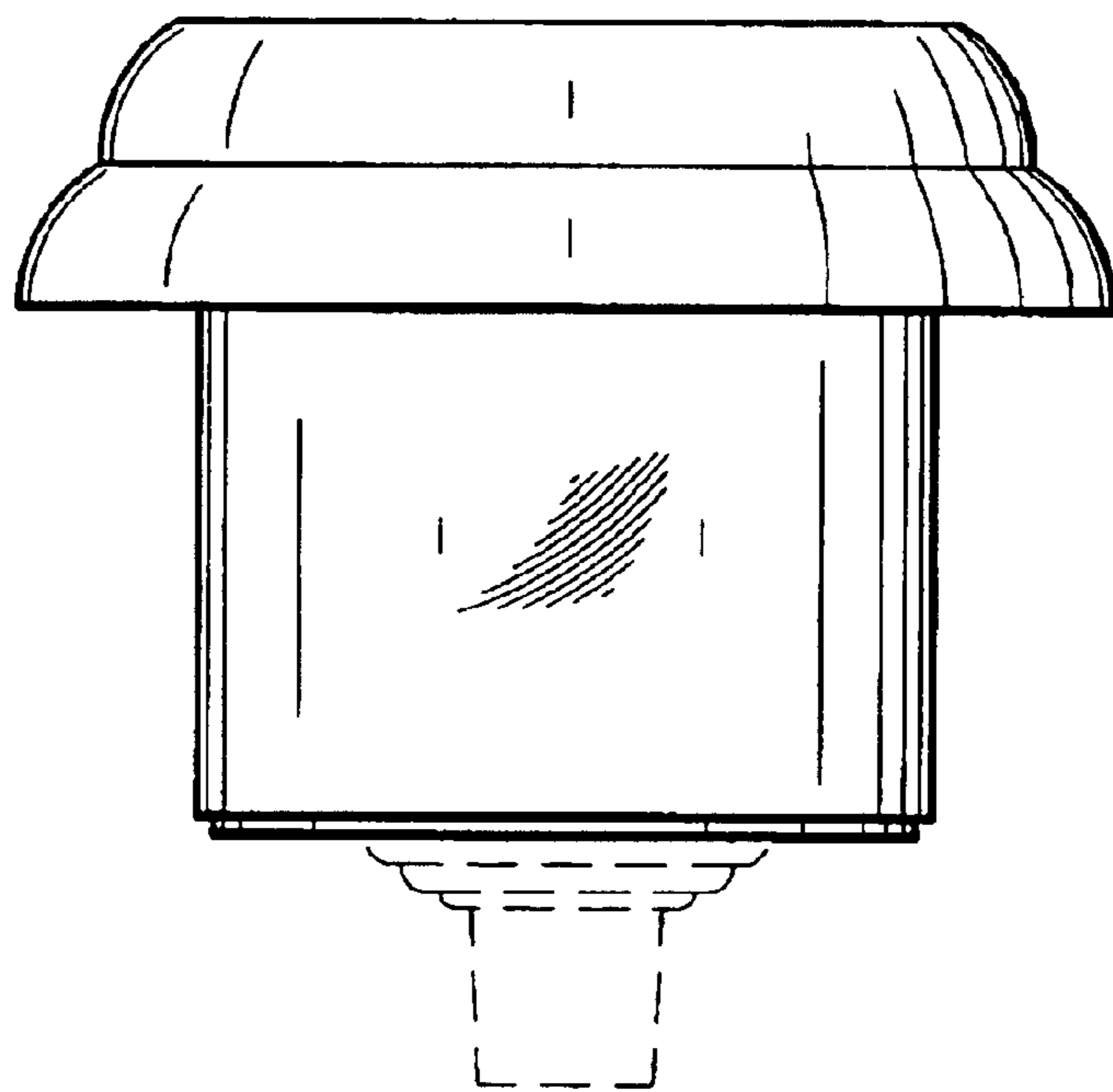


FIG. 4

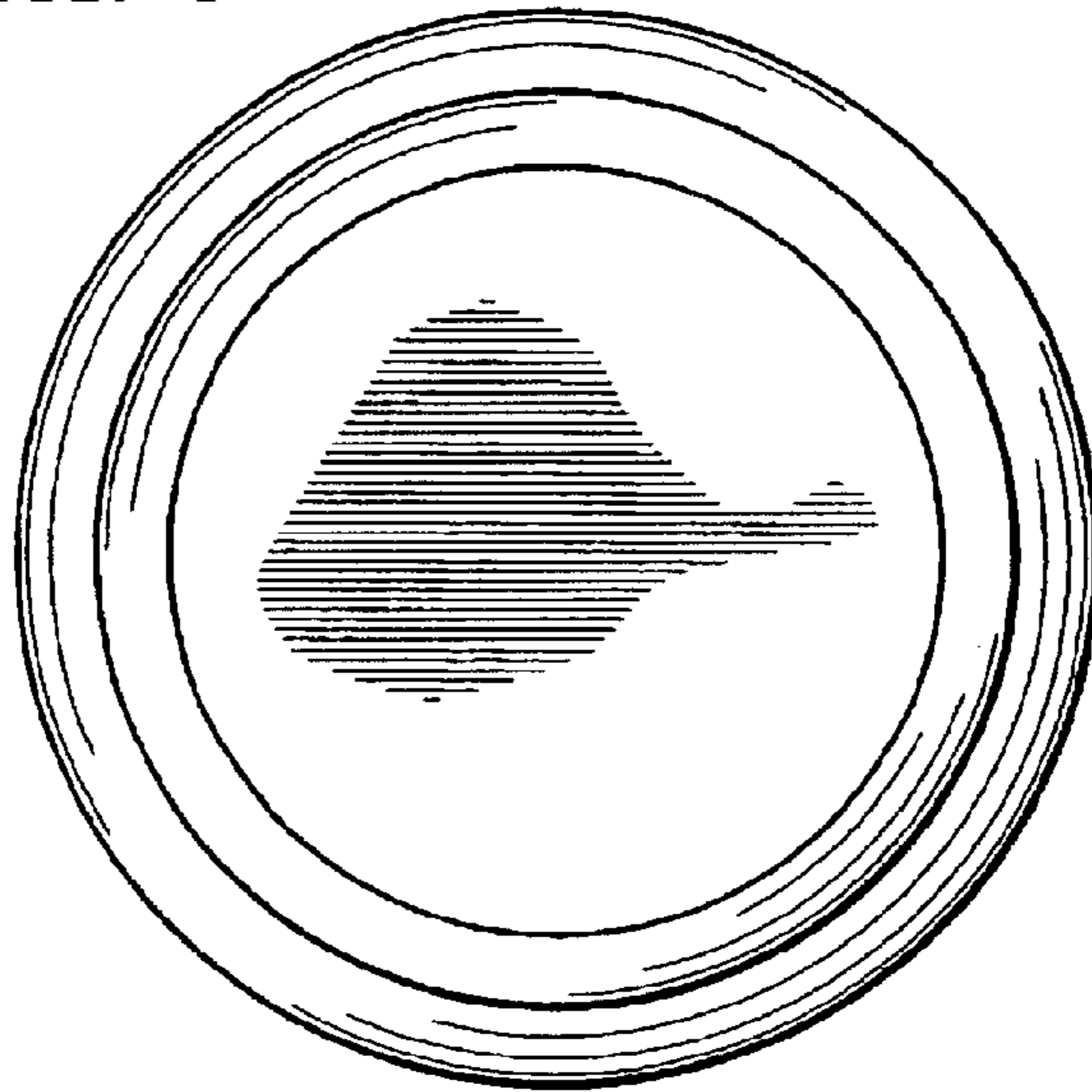


FIG. 3

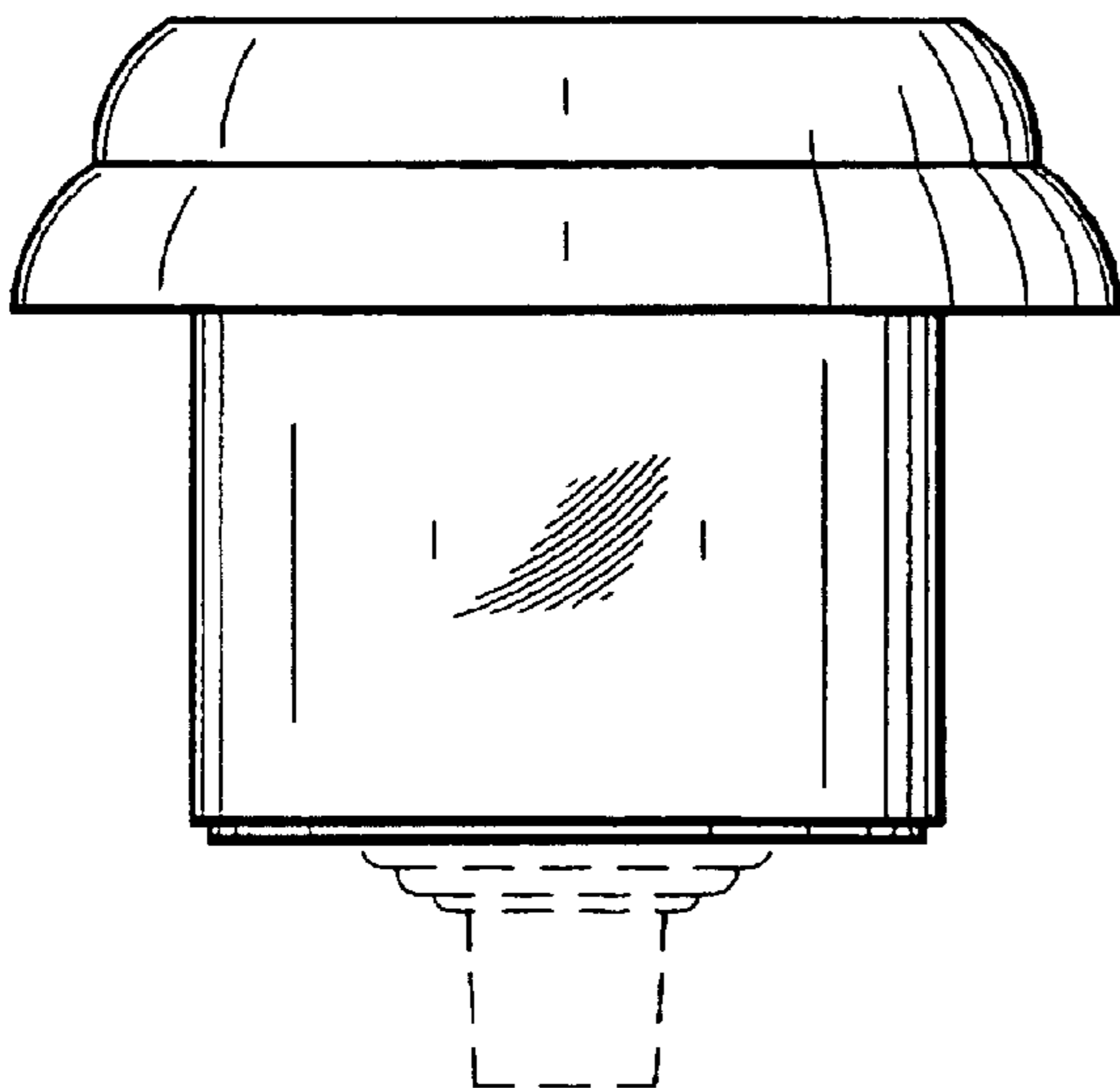


FIG. 5

