



US00D567983S

(12) **United States Design Patent**  
**Lu et al.**

(10) **Patent No.:** **US D567,983 S**  
(45) **Date of Patent:** **\*\* Apr. 29, 2008**

(54) **TABLE LAMP WITH MAGNIFIER**

(76) Inventors: **James Lu**, Kaiyilai Industrial Park,  
Industrial Zone No. 388, Liangantian  
Village, Pinghu Town, Shenzhen City  
(CN); **Michael Lu**, Kaiyilai Industrial  
Park, Industrial Zone No. 388,  
Liangantian village, Pinghu Town,  
Shenzhen City (CN)

(\*\*) Term: **14 Years**

(21) Appl. No.: **29/282,310**

(22) Filed: **Jul. 16, 2007**

(51) **LOC (8) Cl.** ..... **26-05**

(52) **U.S. Cl.** ..... **D26/65**

(58) **Field of Classification Search** ..... D26/60-66,  
D26/93, 107, 118, 128; 362/269, 277, 278,  
362/282, 285, 287, 288, 401-402, 410, 413-414,  
362/418-430

See application file for complete search history.

(56) **References Cited**

**U.S. PATENT DOCUMENTS**

5,016,153	A *	5/1991	Gismondi et al.	.....	362/402
D337,843	S *	7/1993	Huang	.....	D26/65
5,339,233	A *	8/1994	Yang	.....	362/402
D350,620	S *	9/1994	Yuen	.....	D26/65
D382,362	S *	8/1997	Huang	.....	D26/65

D398,411	S *	9/1998	Yang	.....	D26/65
D441,476	S *	5/2001	Mendelsohn et al.	.....	D26/63
6,814,473	B2 *	11/2004	Chen	.....	362/402
D556,356	S *	11/2007	Chen	.....	D26/65
2003/0112625	A1 *	6/2003	Sheng et al.	.....	362/225

\* cited by examiner

*Primary Examiner*—Cathron Brooks  
*Assistant Examiner*—Barbara Fox

(57) **CLAIM**

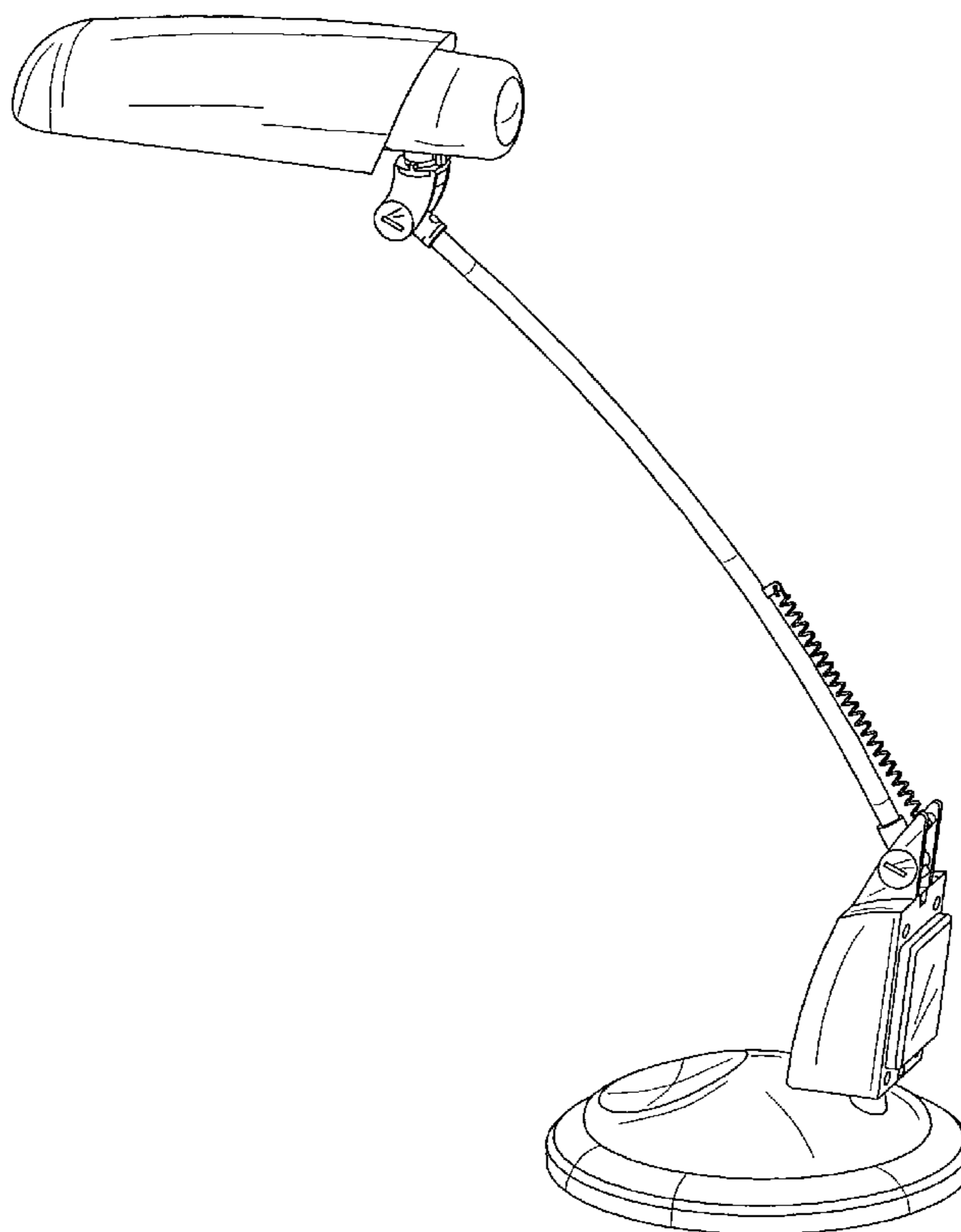
The ornamental design for a table lamp with magnifier, as shown and described.

**DESCRIPTION**

FIG. 1 is a front elevational view of a table lamp with magnifier showing my new design;  
FIG. 2 is a rear elevational view thereof;  
FIG. 3 is a left side view thereof;  
FIG. 4 is a right side view thereof;  
FIG. 5 is a top plan view thereof;  
FIG. 6 is a bottom plan view thereof; and,  
FIG. 7 is a perspective view thereof.

The broken lines shown on the drawings form no part of the claimed design.

**1 Claim, 7 Drawing Sheets**



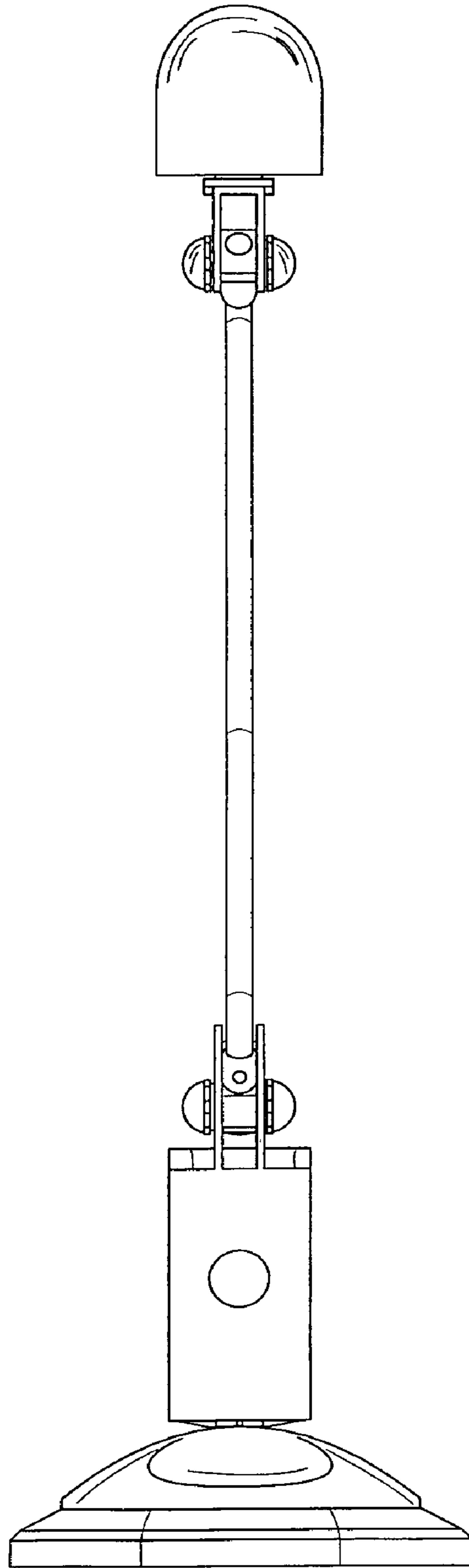


Fig. 1

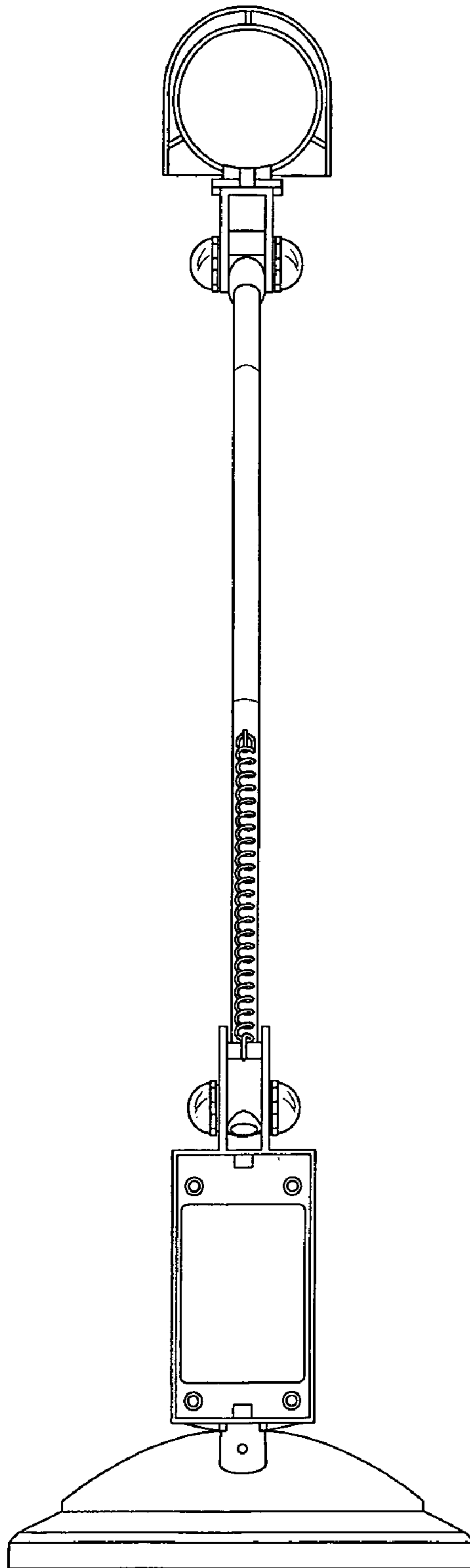


Fig. 2

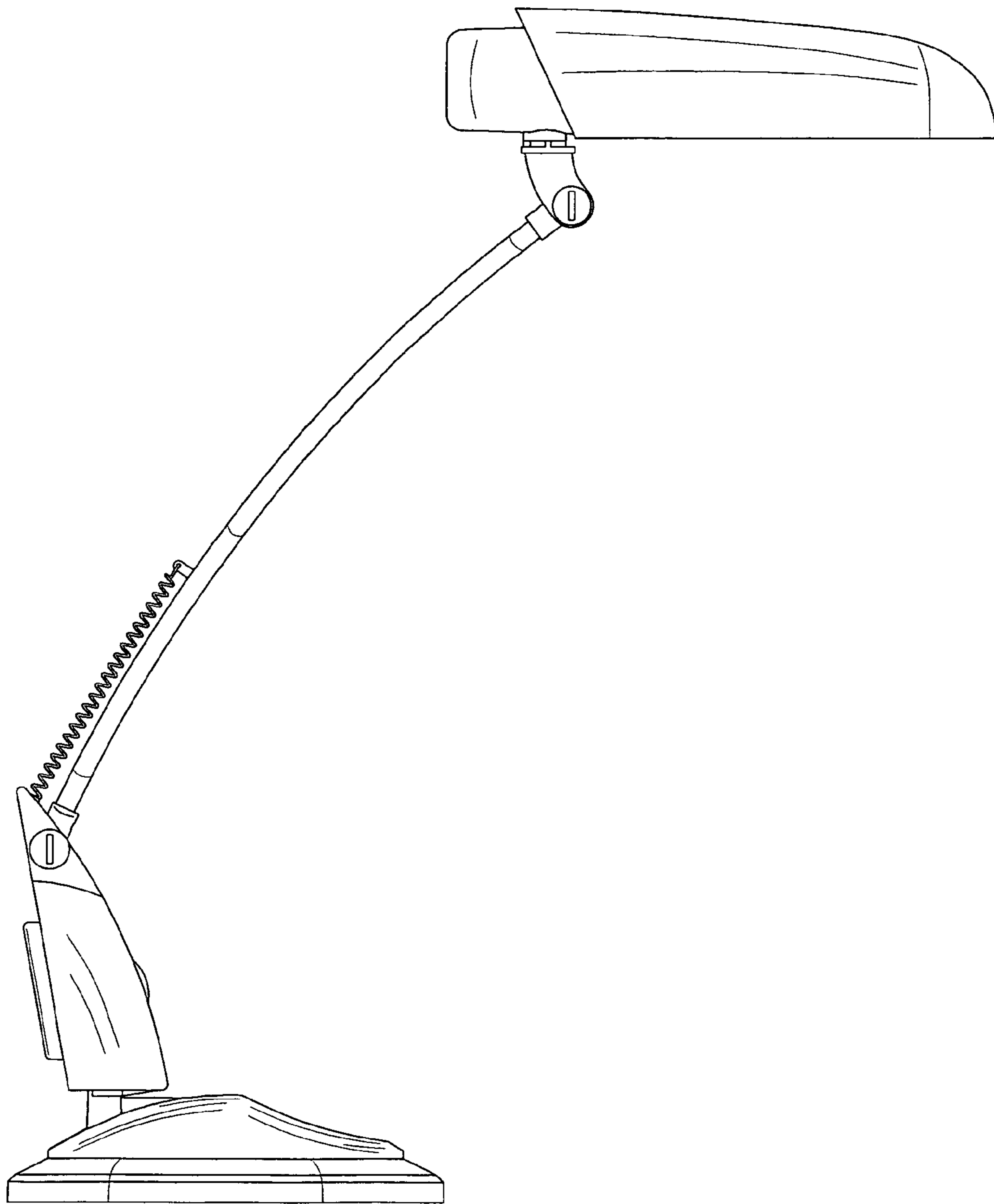


Fig. 3

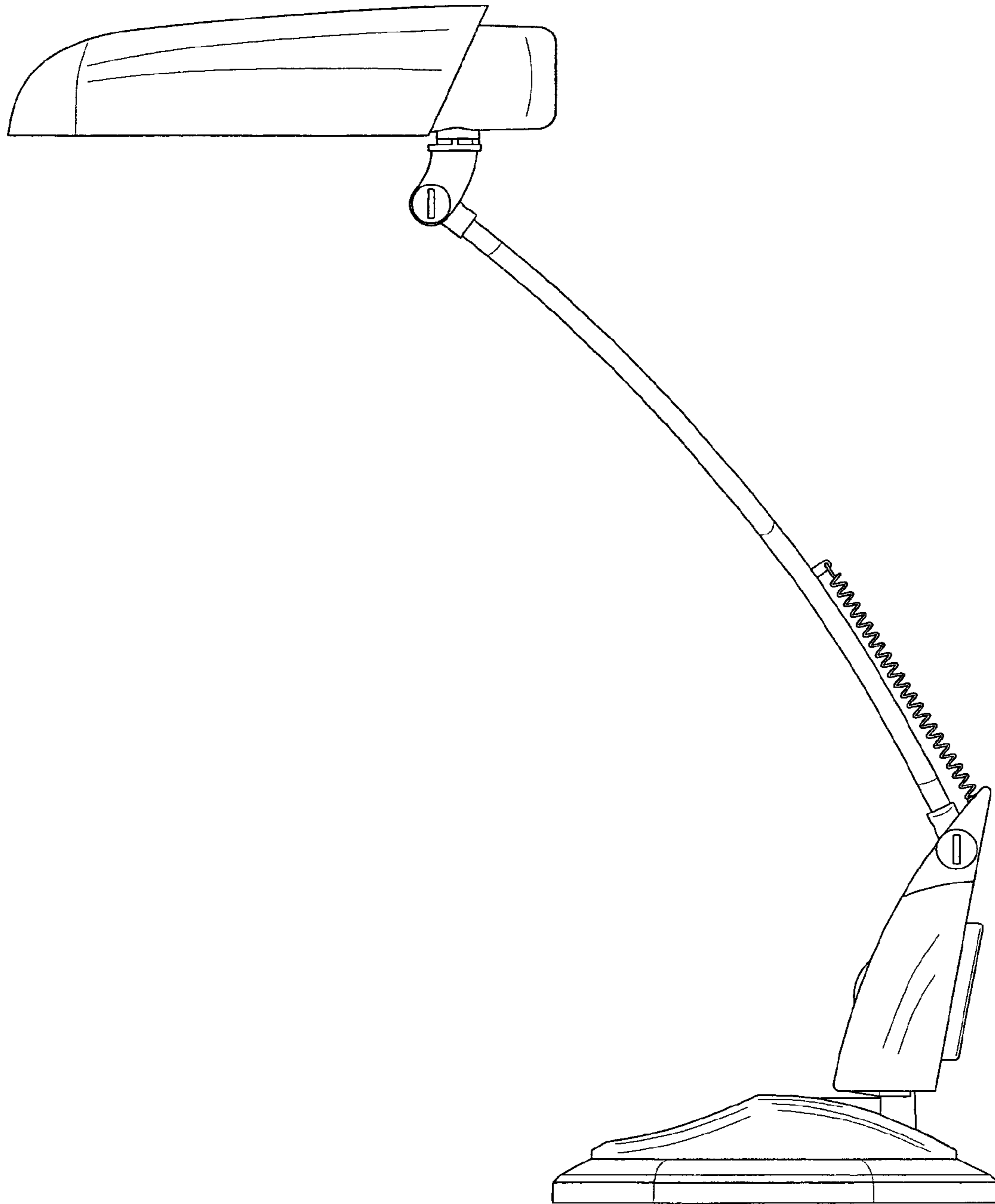


Fig. 4

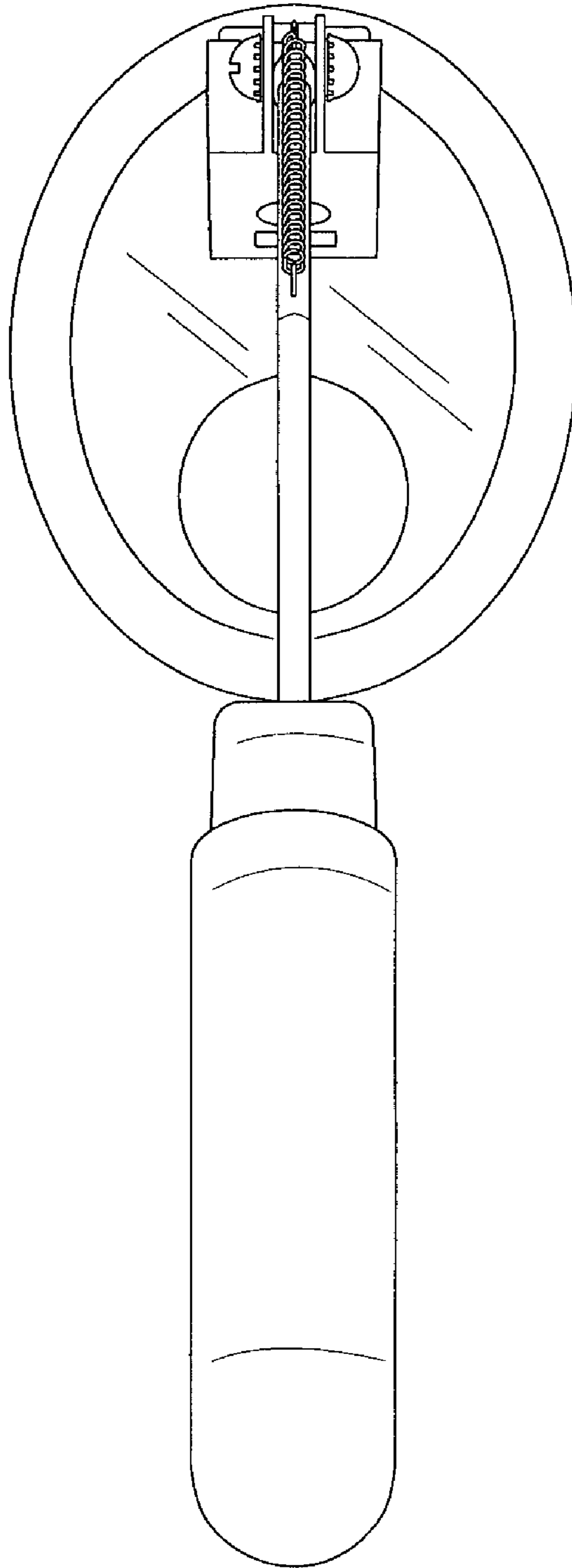


Fig. 5

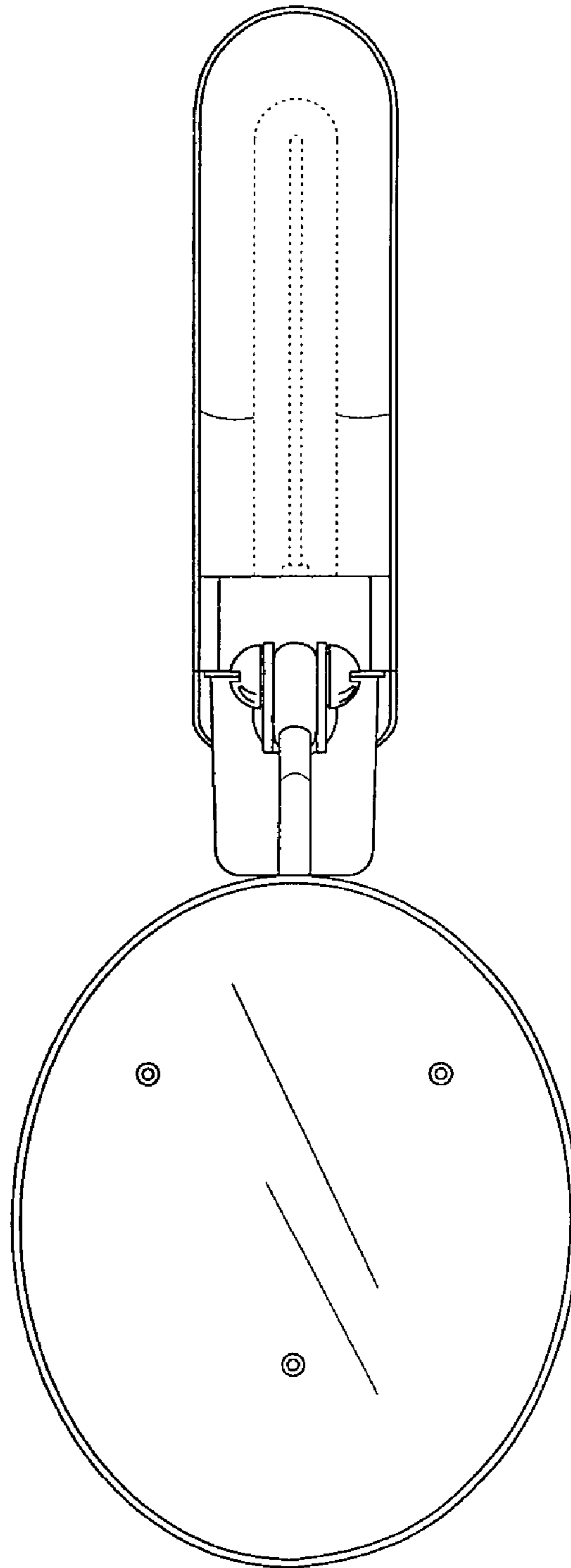


Fig. 6

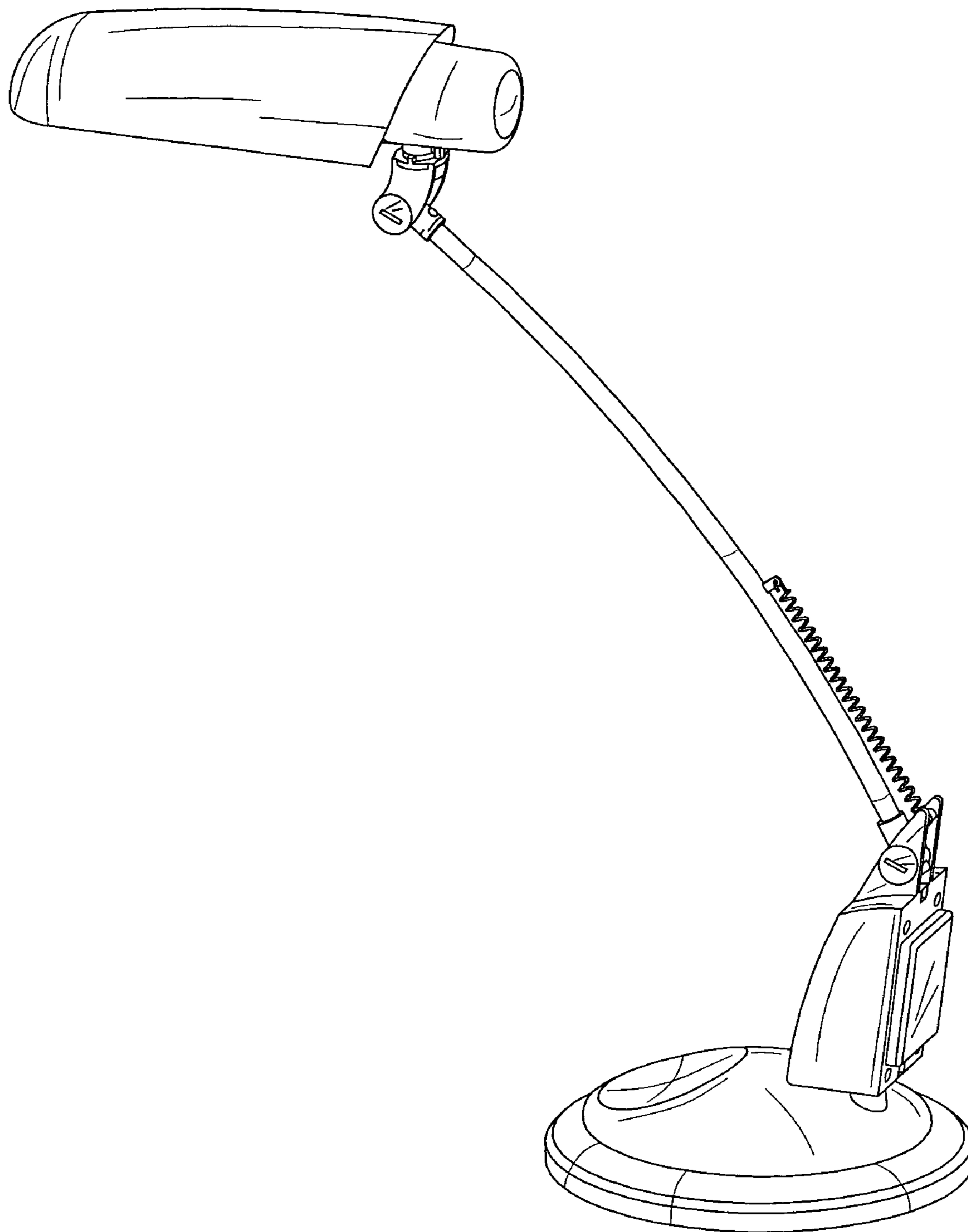


Fig. 7