



US00D567981S

(12) **United States Design Patent**  
**DeSorbo**

(10) **Patent No.:** **US D567,981 S**

(45) **Date of Patent:** **\*\* Apr. 29, 2008**

(54) **PHOTOGRAPHIC LIGHT**

(57) **CLAIM**

(75) Inventor: **Alexander P. DeSorbo**, Woodbury, CT (US)

The ornamental design for a photographic light, as shown and described.

(73) Assignee: **Anton/Bauer, Inc.**, Shelton, CT (US)

**DESCRIPTION**

(\*\*) Term: **14 Years**

FIG. 1 is a perspective view of the photographic light, in its collapsed position, showing my new design;

(21) Appl. No.: **29/258,413**

FIG. 2 is a top view of the photographic light, in its collapsed position;;

(22) Filed: **Apr. 21, 2006**

FIG. 3 is a side view of the photographic light, in its collapsed position;

(51) **LOC (8) Cl.** ..... **26-05**

FIG. 4 is an end view of the photographic light, in its collapsed position;

(52) **U.S. Cl.** ..... **D26/65**

(58) **Field of Classification Search** ..... D26/24,  
D26/60-66, 107; 362/235, 227, 257, 269,  
362/271, 275, 277, 3, 16, 17, 18  
See application file for complete search history.

FIG. 5 is a perspective view of the photographic light in its partially extended position;

(56) **References Cited**

**U.S. PATENT DOCUMENTS**

2,543,926	A *	3/1951	Mounique	.....	362/347
D255,276	S *	6/1980	Mann	.....	D26/44
D265,427	S *	7/1982	Mann	.....	D26/44
D300,035	S *	2/1989	Yuen	.....	D15/9
5,169,226	A *	12/1992	Friedman	.....	362/190
D503,238	S *	3/2005	Allen	.....	D26/37
D544,978	S *	6/2007	Jianbo	.....	D26/63
D547,896	S *	7/2007	Yifei	.....	D26/63
D548,869	S *	8/2007	Zhouli	.....	D26/63
D552,781	S *	10/2007	Kosche et al.	.....	D26/63

FIG. 6 is a top view of the photographic light in its partially extended position;

FIG. 7 is a side view of the photographic light in its partially extended position;

FIG. 8 is a rear view of the photographic light in its partially extended position;

FIG. 9 is a perspective view of the photographic light in its fully extended position;

FIG. 10 is a top view of the photographic light in its fully extended position;

FIG. 11 is a side view of the photographic light in its fully extended position; and,

FIG. 12 is a rear view of the photographic light in its fully extended position.

The broken lines shown in the drawings illustrate unclaimed portions of the article and form no part of the claimed design.

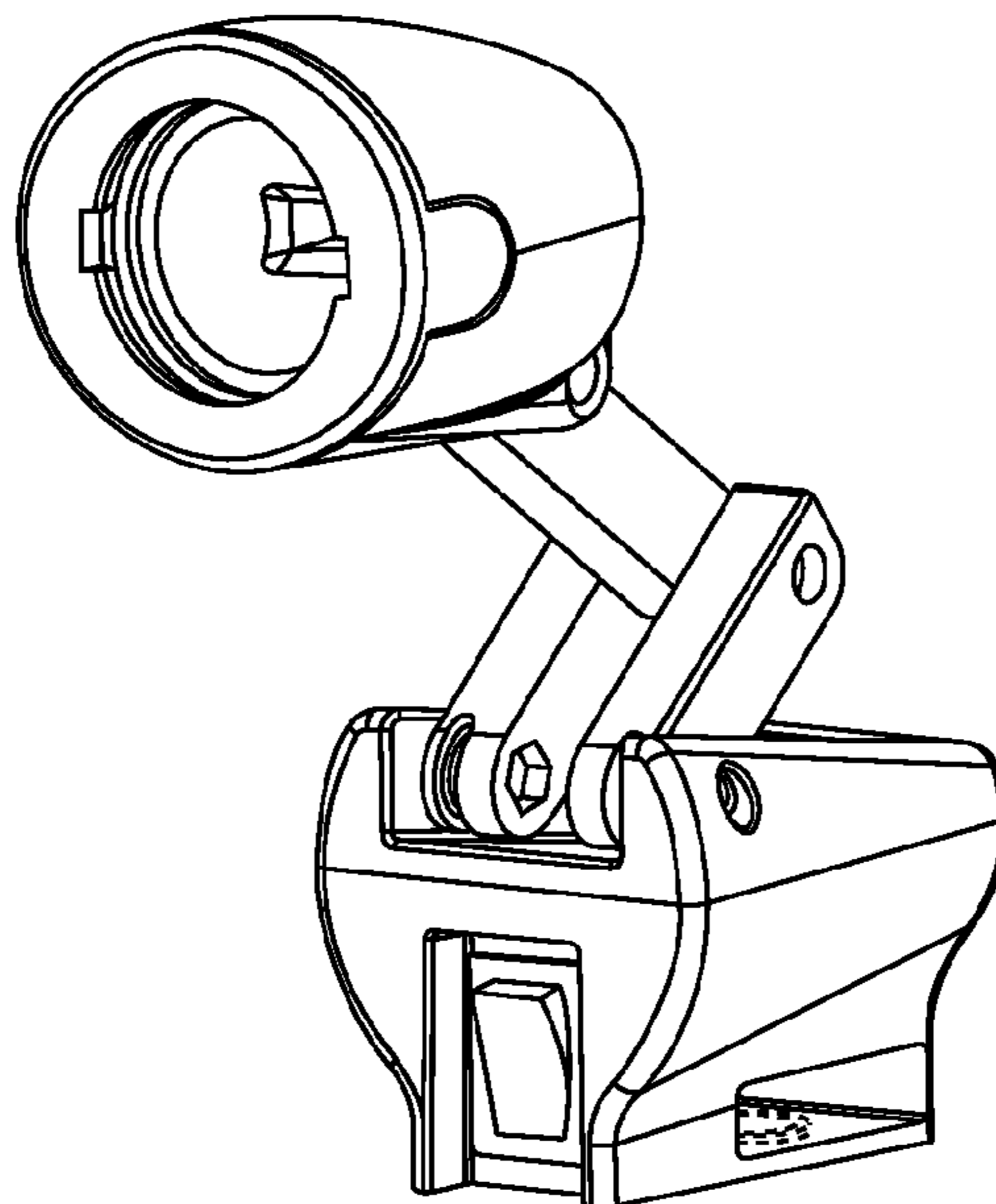
\* cited by examiner

*Primary Examiner*—Cathron Brooks

*Assistant Examiner*—Barbara Fox

(74) *Attorney, Agent, or Firm*—McCormick, Paulding & Huber LLP

**1 Claim, 3 Drawing Sheets**



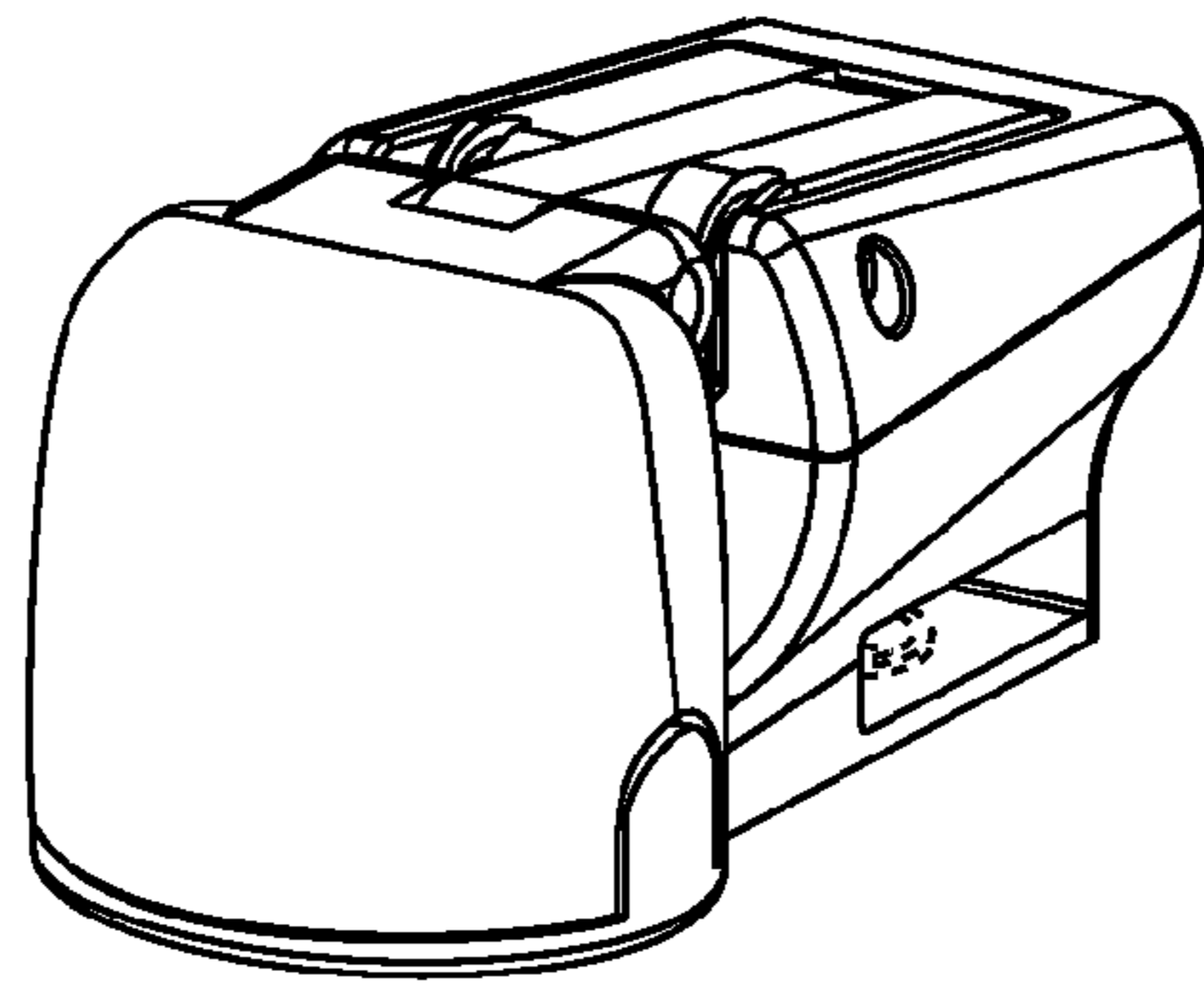


FIG. 1

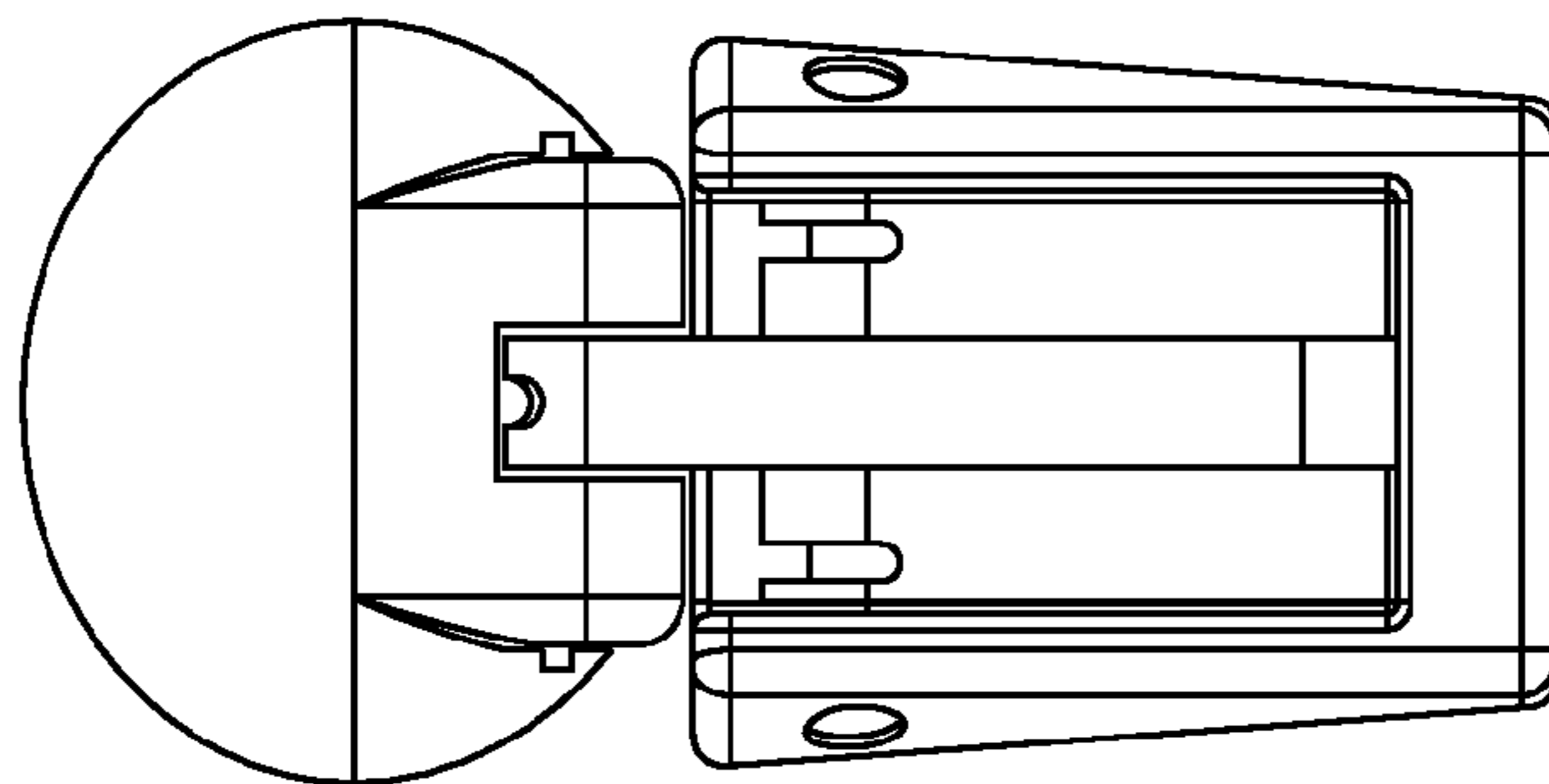


FIG. 2

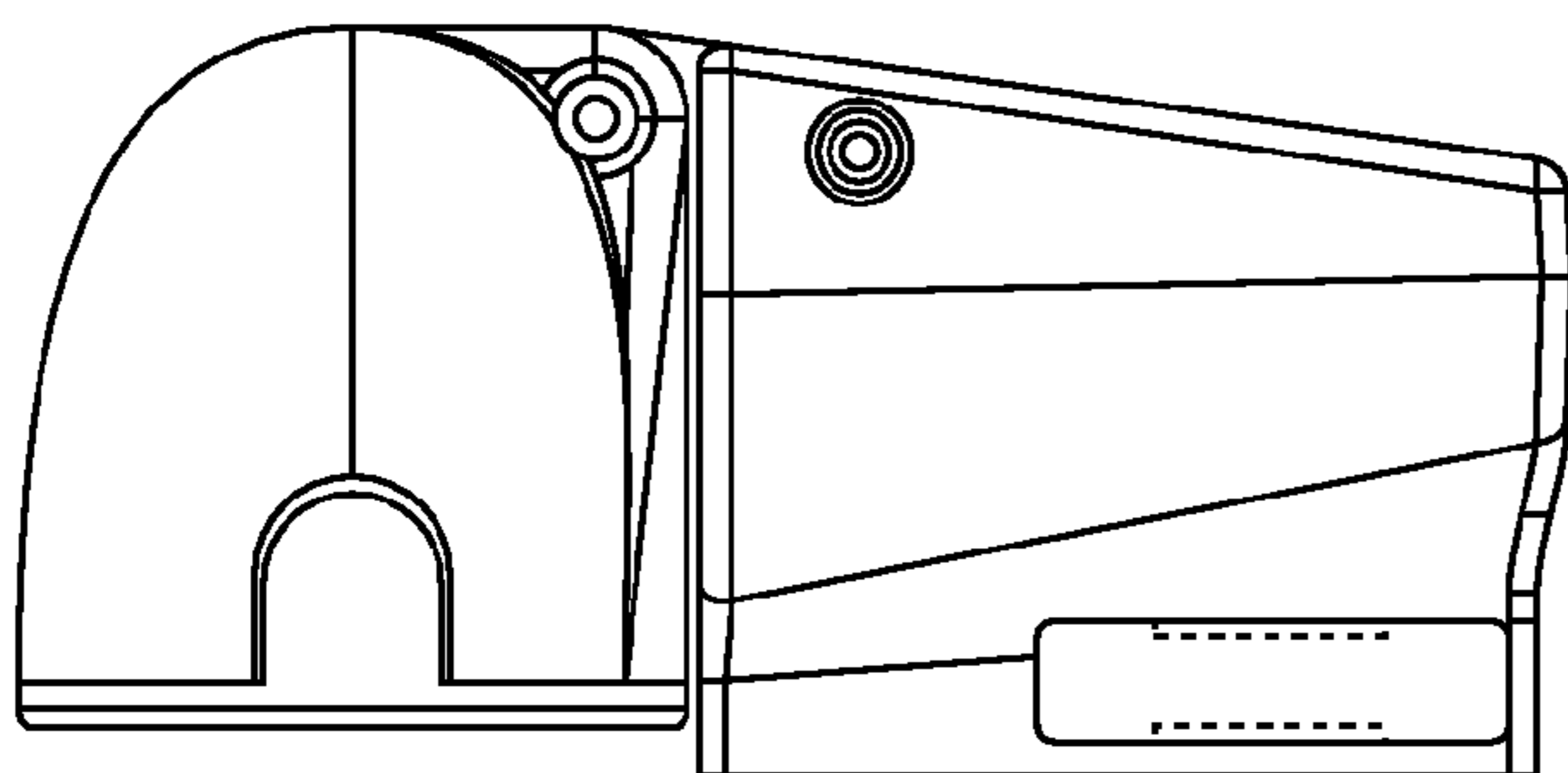


FIG. 3

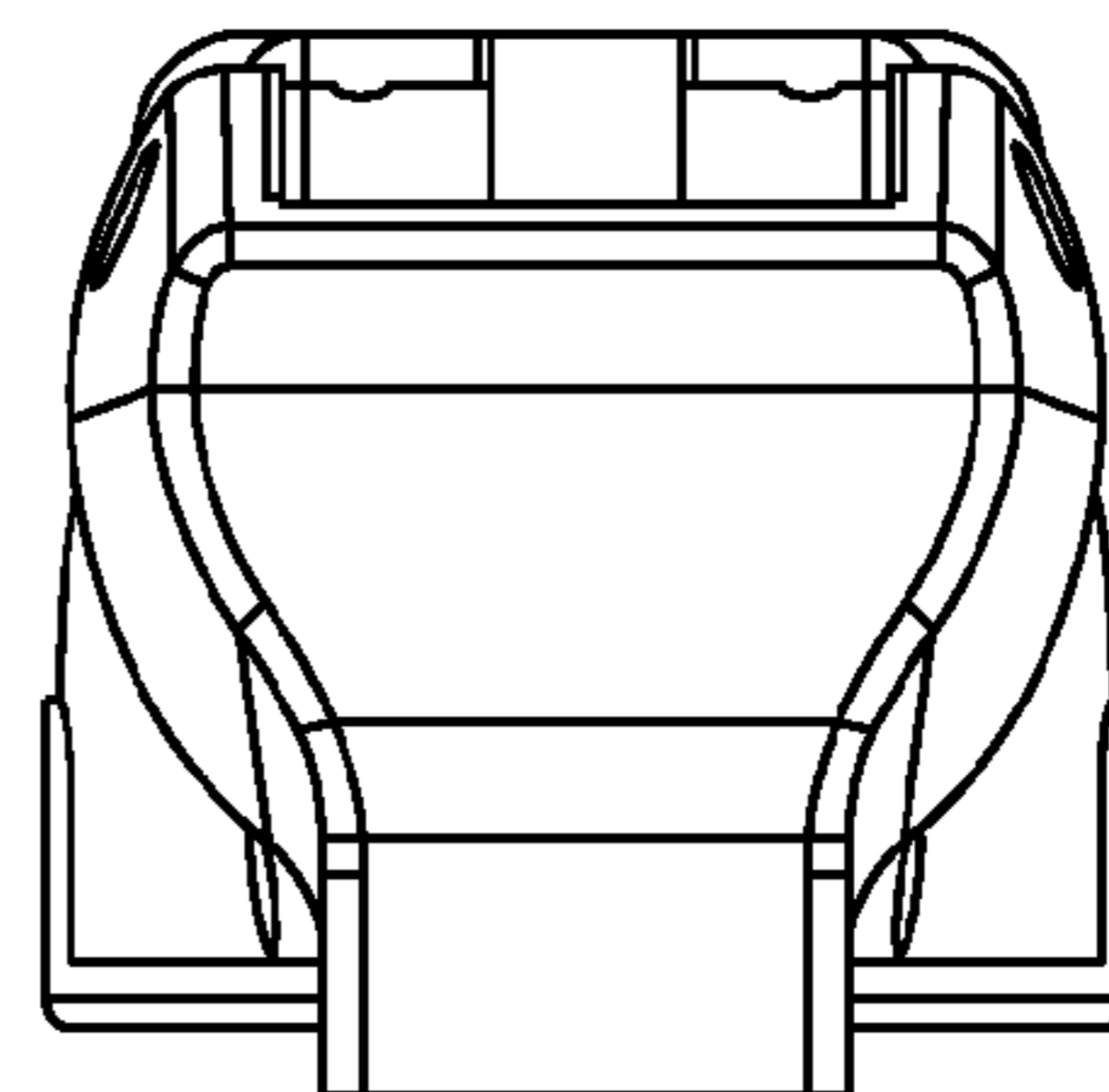


FIG. 4

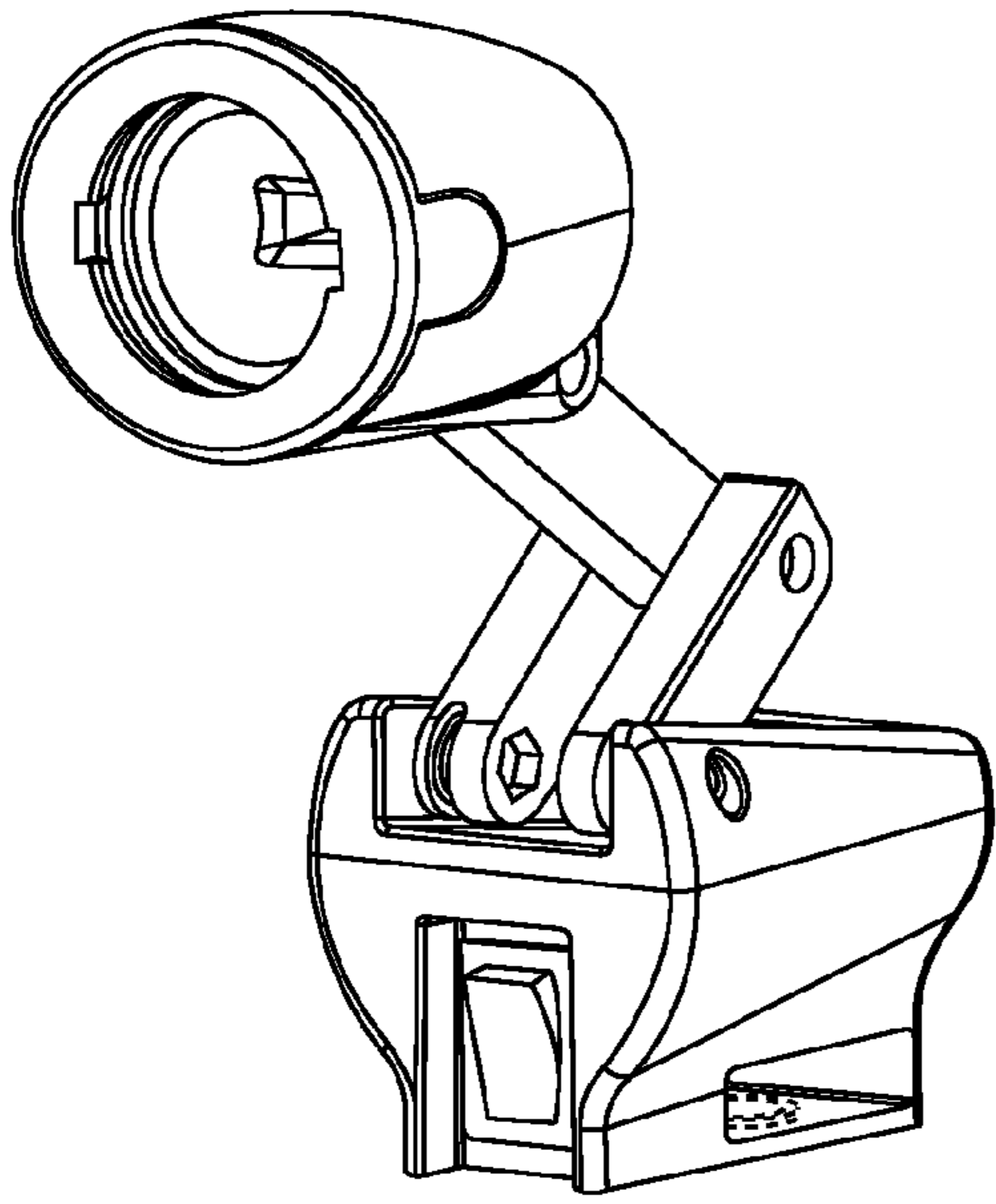


FIG. 5

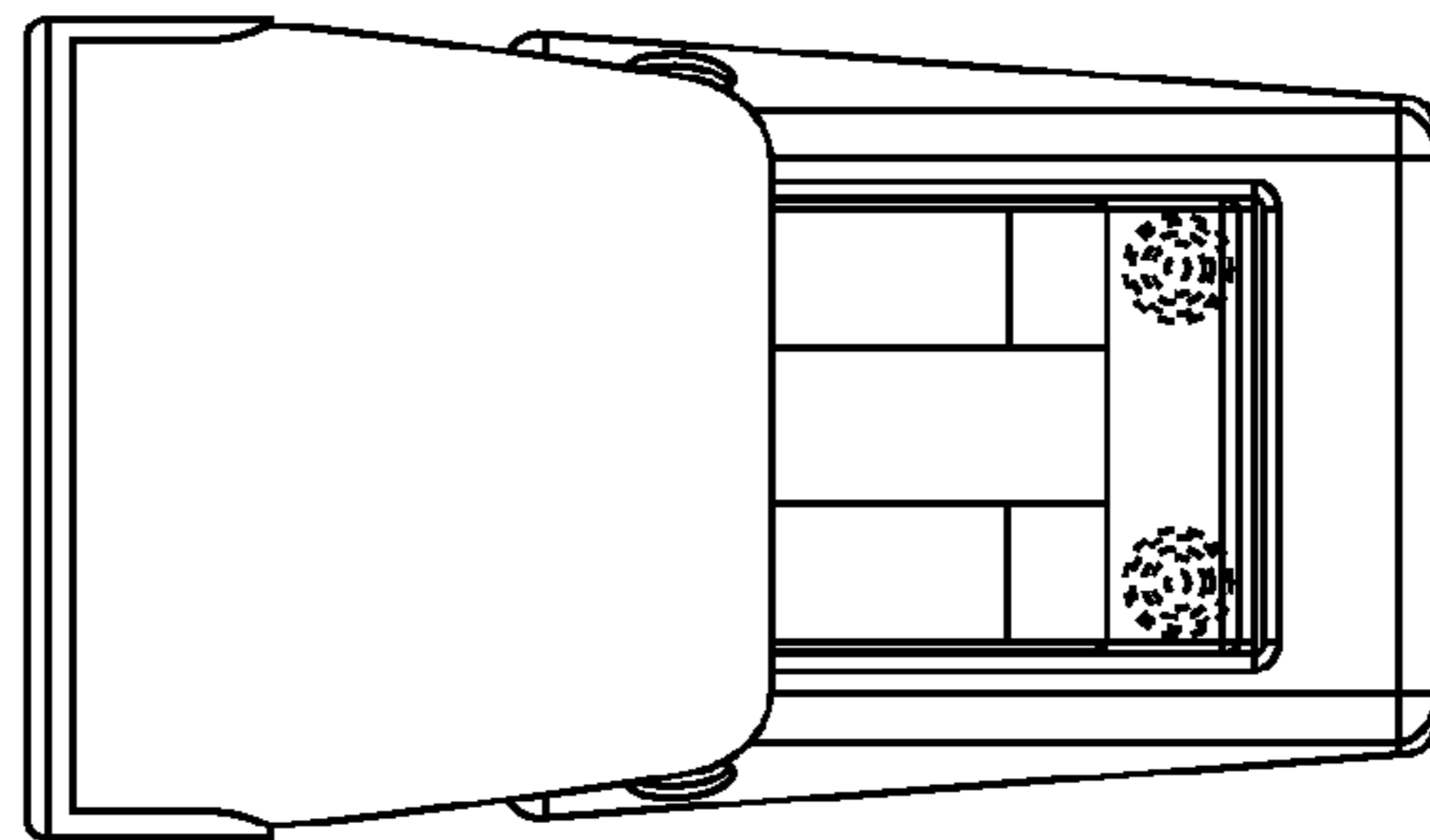


FIG. 6

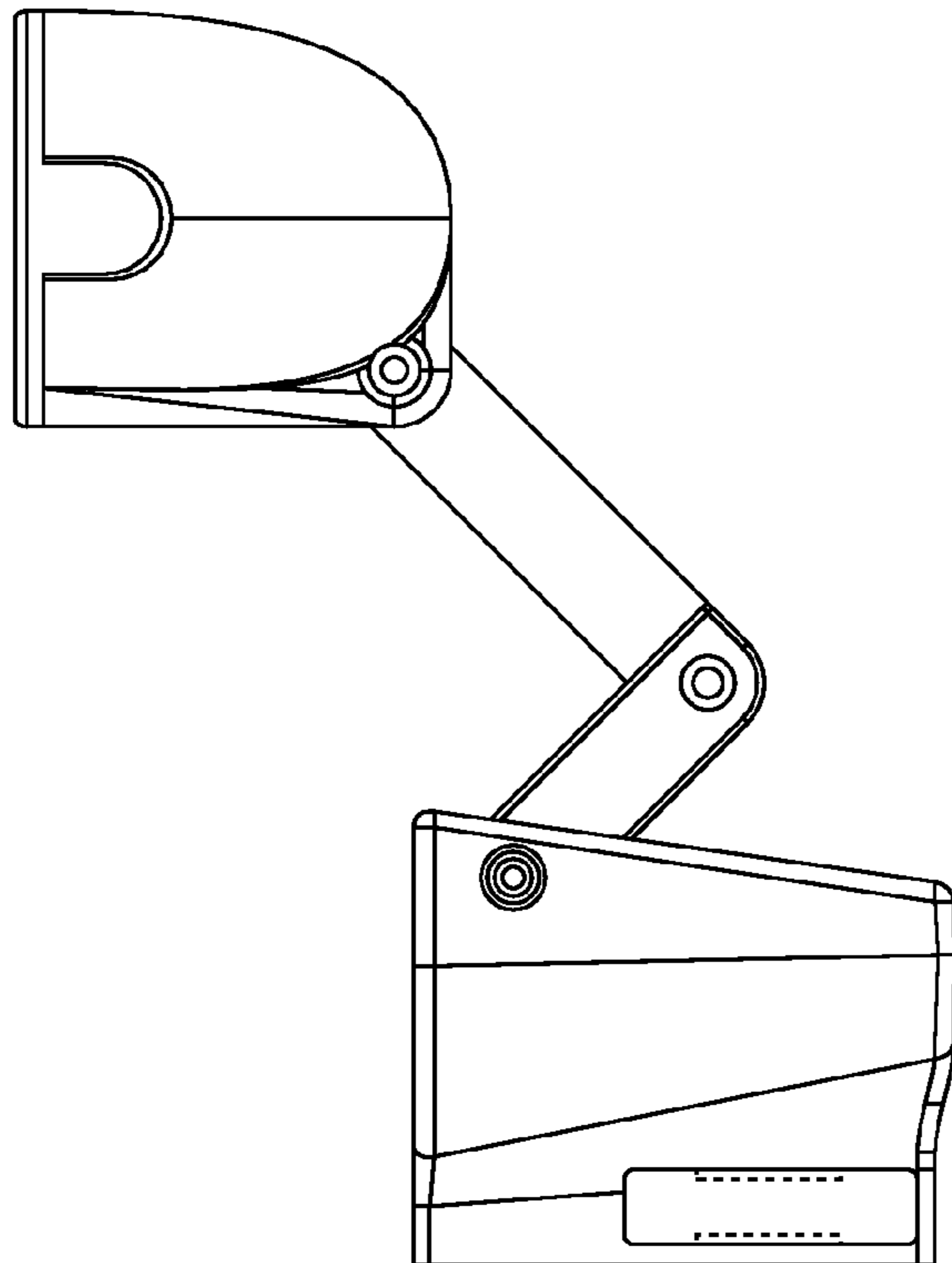


FIG. 7

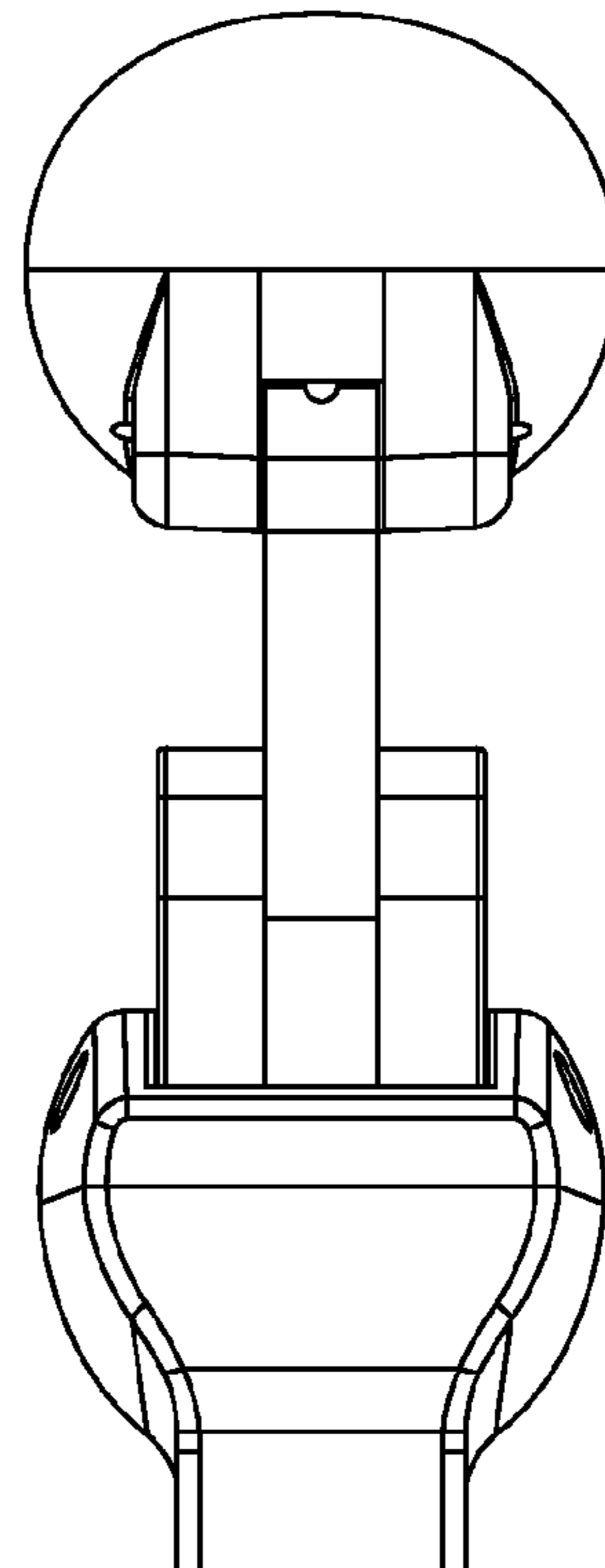


FIG. 8

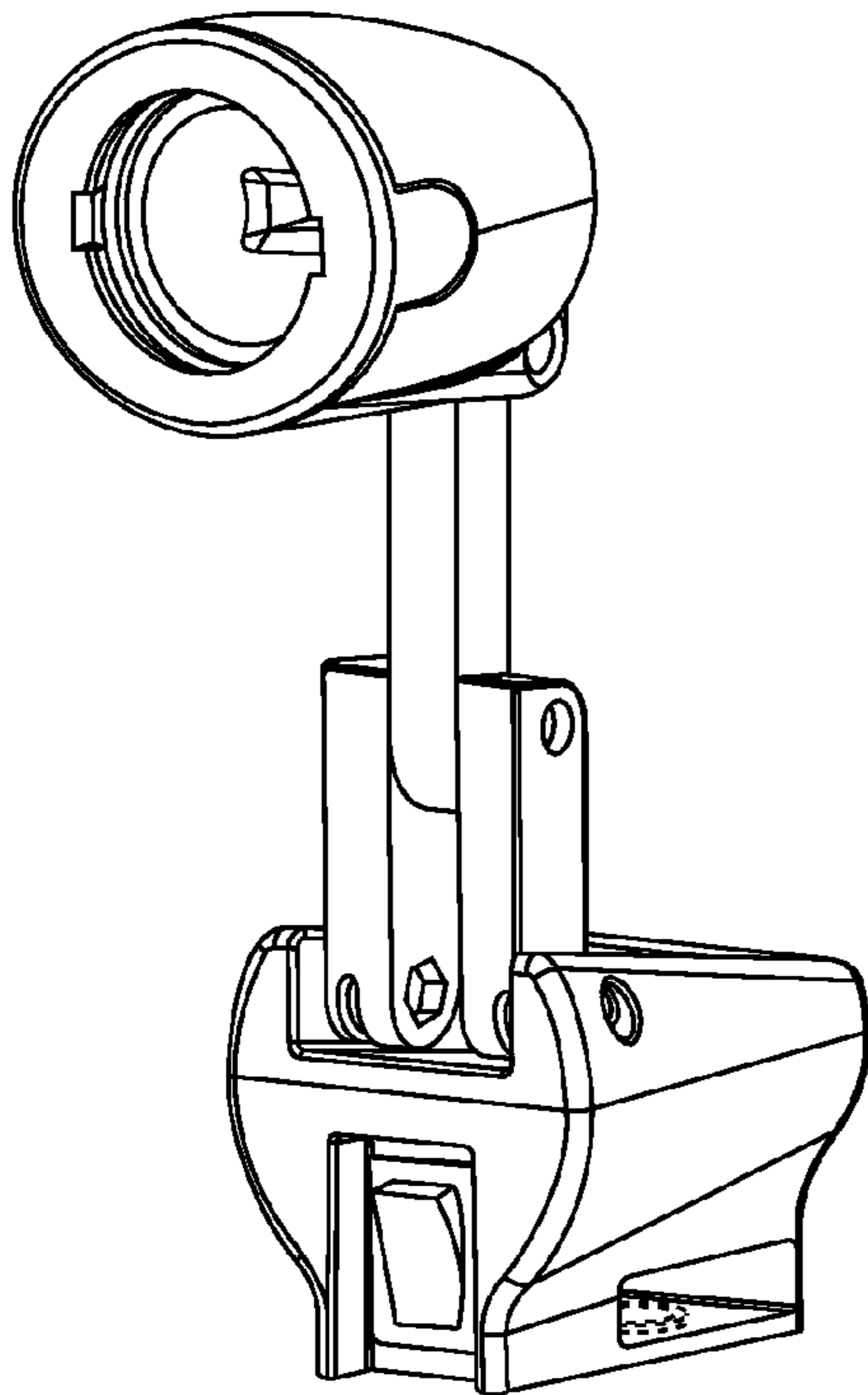


FIG. 9

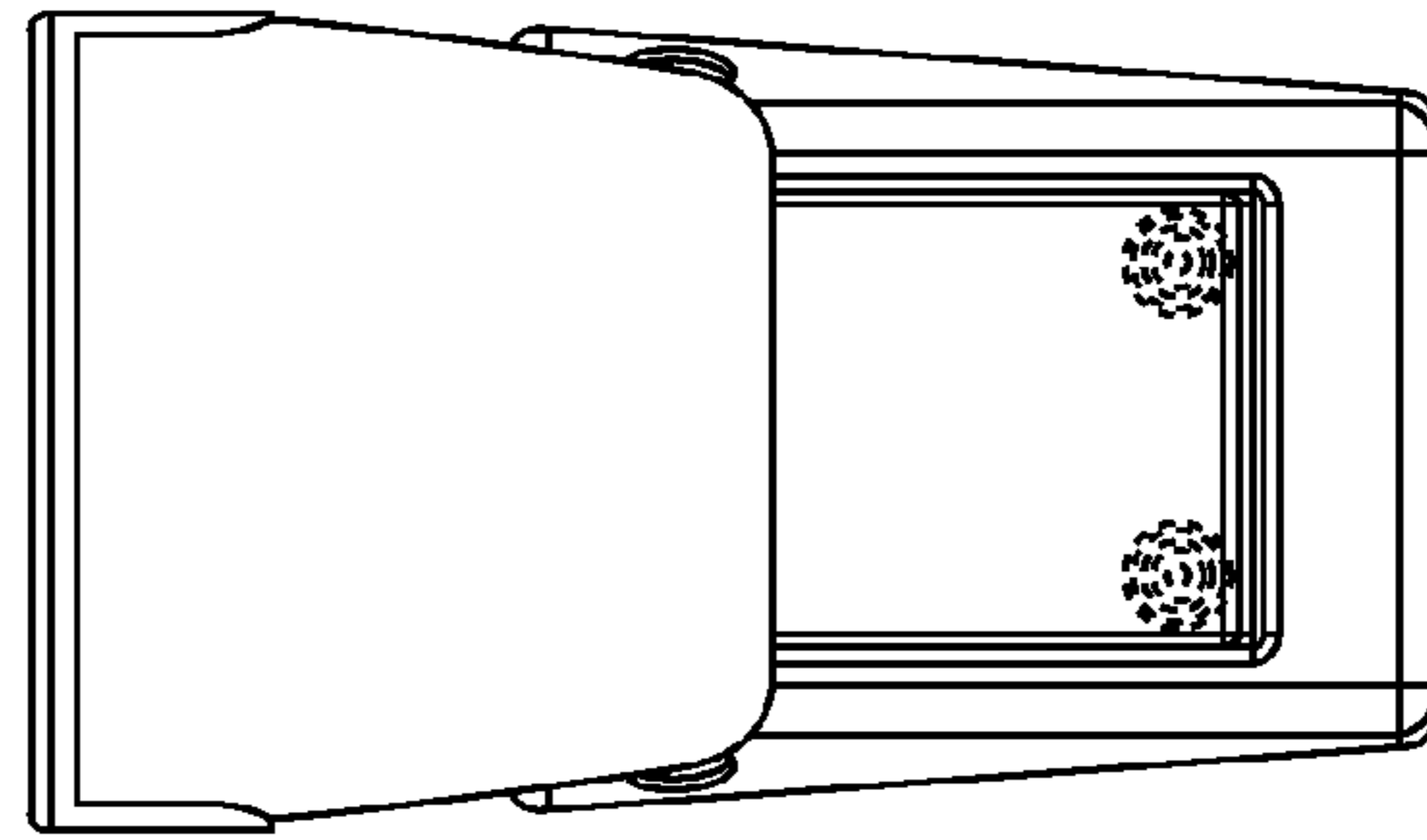


FIG. 10

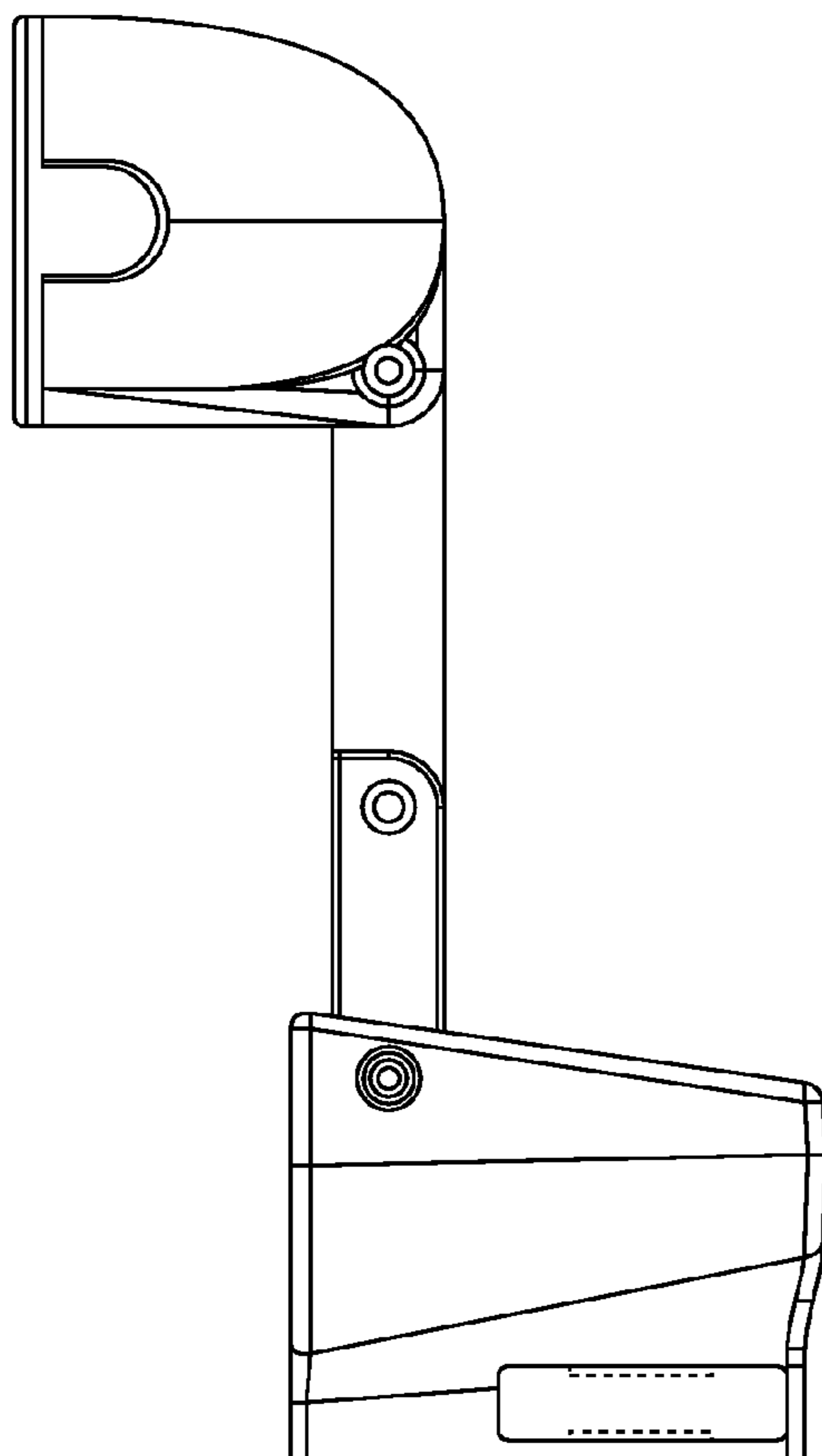


FIG. 11

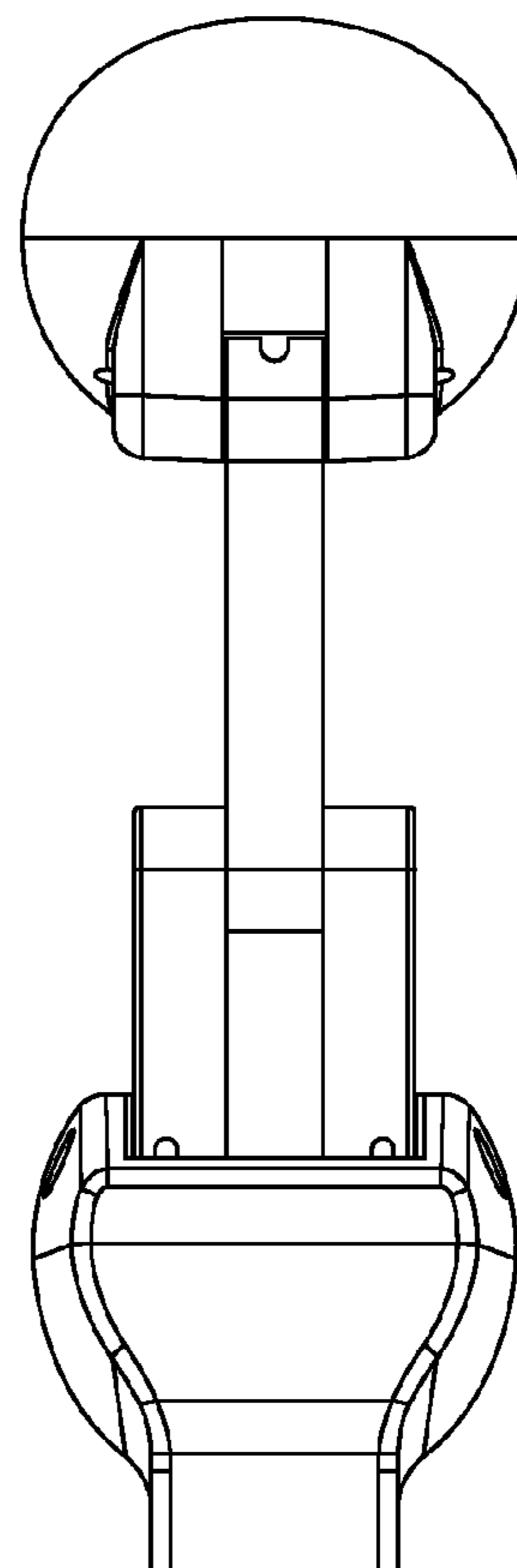


FIG. 12