



US00D567980S

(12) **United States Design Patent**
Guercio

(10) **Patent No.:** **US D567,980 S**
(45) **Date of Patent:** **** Apr. 29, 2008**

(54) **LIGHTING FIXTURE**

D544,125 S * 6/2007 Guercio D26/63
D547,477 S * 7/2007 Guercio D26/63
D547,478 S * 7/2007 Guercio D26/63

(75) Inventor: **Vincenzo Guercio**, Wallkill, NY (US)

(73) Assignee: **Rab Lighting, Inc.**, Northvale, NJ (US)

(**) Term: **14 Years**

(21) Appl. No.: **29/277,907**

(22) Filed: **Mar. 13, 2007**

(51) **LOC (8) Cl.** **26-05**

(52) **U.S. Cl.** **D26/63; D26/71**

(58) **Field of Classification Search** D26/60-67,
D26/71-72, 85, 93, 107, 118, 128; 362/147,
362/269, 277, 278, 282, 285, 287, 288, 410,
362/413, 418-432, 449; 174/45 R; 248/159

See application file for complete search history.

(56) **References Cited**

U.S. PATENT DOCUMENTS

2,516,270 A * 7/1950 Swain 40/361
2,740,039 A * 3/1956 Phillips 362/413
D226,020 S * 1/1973 Anderson D26/63
4,143,413 A * 3/1979 Kelly 362/418
D290,522 S * 6/1987 de Vos et al. D26/63
D291,360 S * 8/1987 De Vos et al. D26/63
D296,829 S * 7/1988 Peppers D26/63
D313,395 S * 1/1991 Orchard et al. D13/152
D322,135 S * 12/1991 Wierzbicki et al. D26/24
D357,992 S * 5/1995 Mehaffey D26/63
D391,382 S * 2/1998 Rahn D26/63
D420,458 S * 2/2000 Guercio D26/63
D465,050 S * 10/2002 Crelin D26/85

OTHER PUBLICATIONS

CENS Lighting catalog, Sep. 2005, Pollux Lighting Inc. advertisement, p. 149; product No. PL-8116, left-hand image.*

3 Photographs of a Floodinator: a common design sold by RAB Lighting, Northvale, NJ since 2003 and in the market place since 1997.

* cited by examiner

Primary Examiner—Cathron Brooks

Assistant Examiner—Barbara Fox

(74) *Attorney, Agent, or Firm*—Baker & Daniels LLP

(57) **CLAIM**

The ornamental design for a lighting fixture, as shown and described.

DESCRIPTION

FIG. 1 is a perspective view of a lighting fixture showing my new design;

FIG. 2 is a front view thereof;

FIG. 3 is a rear view thereof;

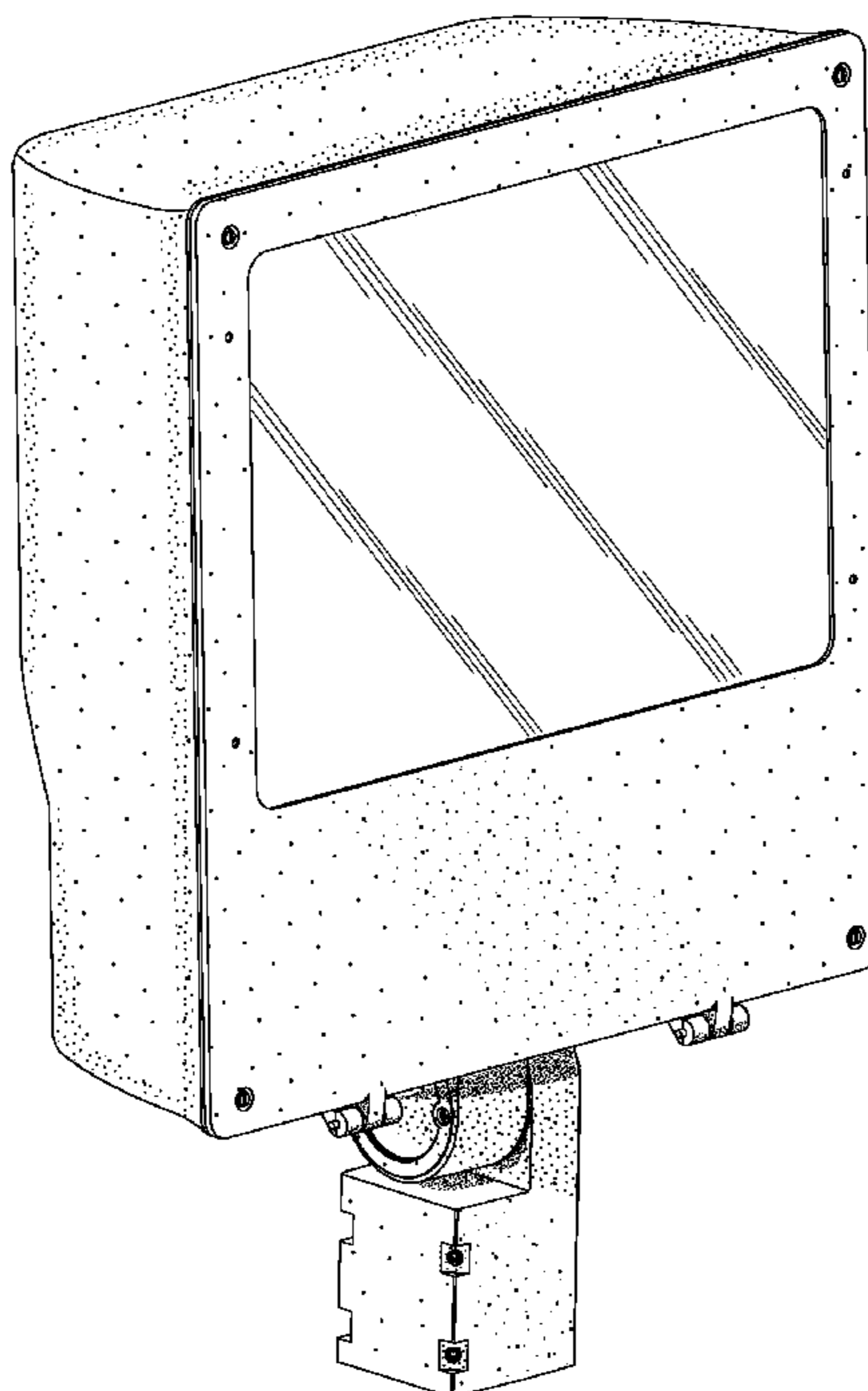
FIG. 4 is a side view thereof;

FIG. 5 is a side view thereof;

FIG. 6 is a top view thereof; and,

FIG. 7 is a bottom view thereof.

1 Claim, 5 Drawing Sheets



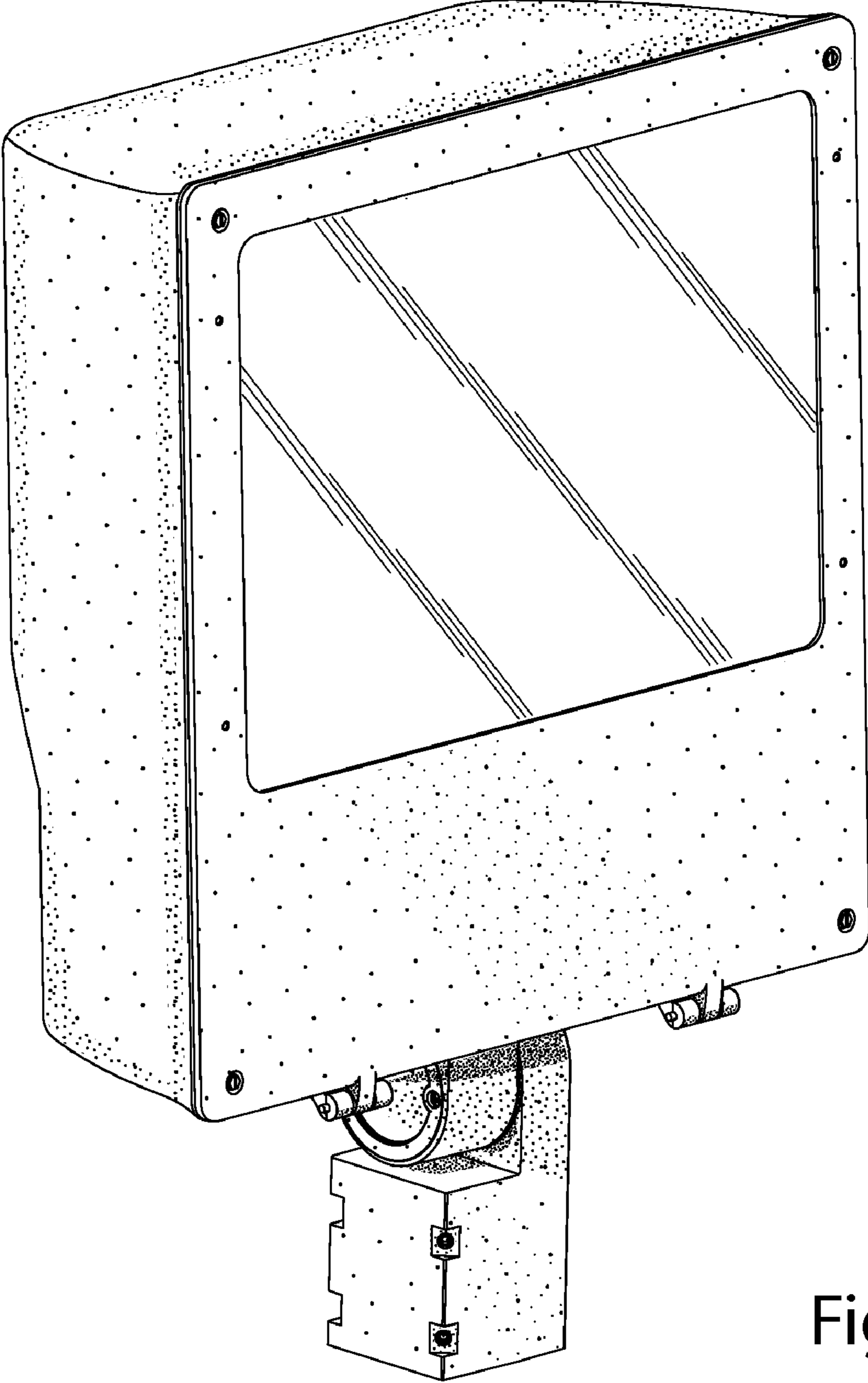


Fig. 1

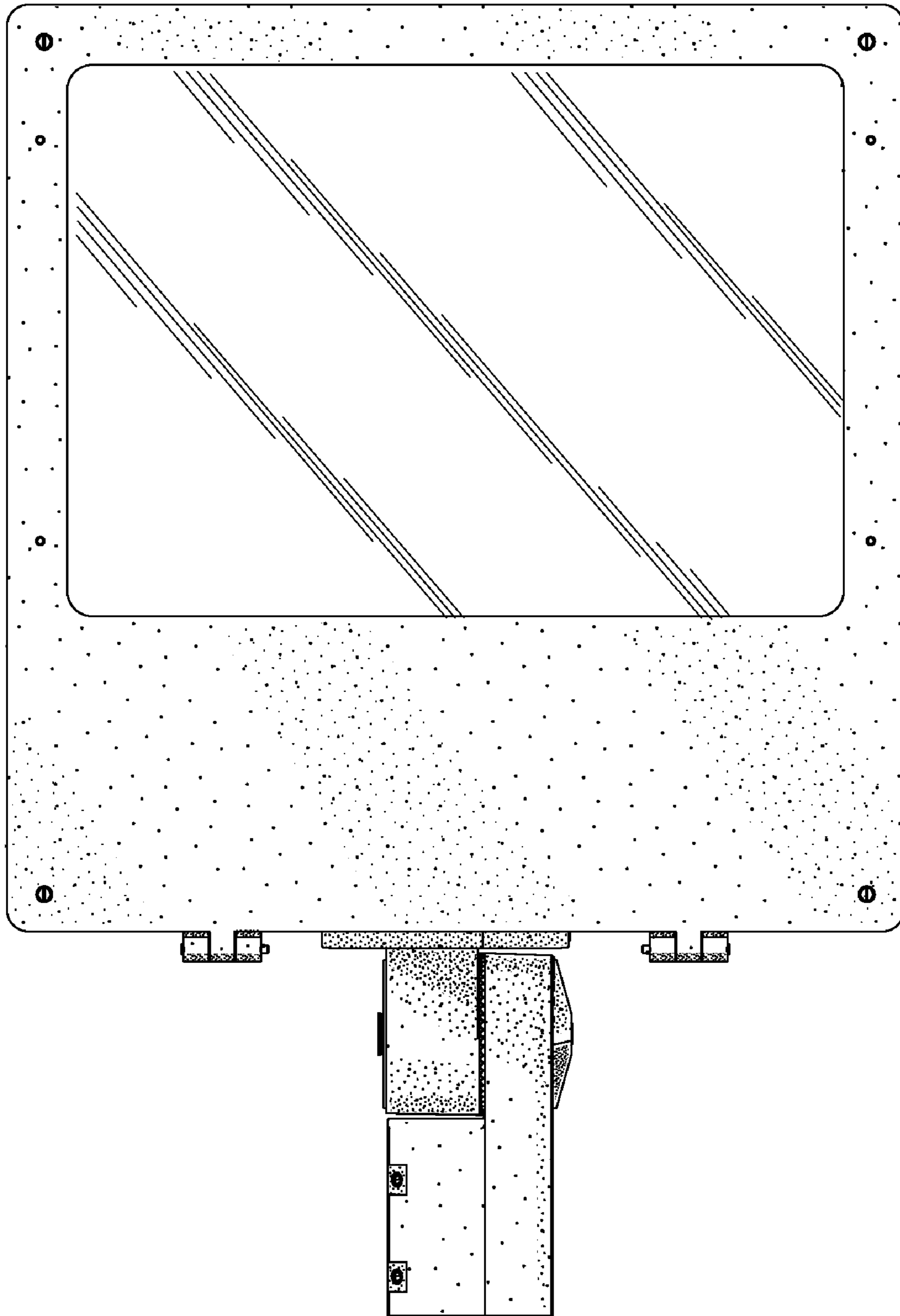


Fig. 2

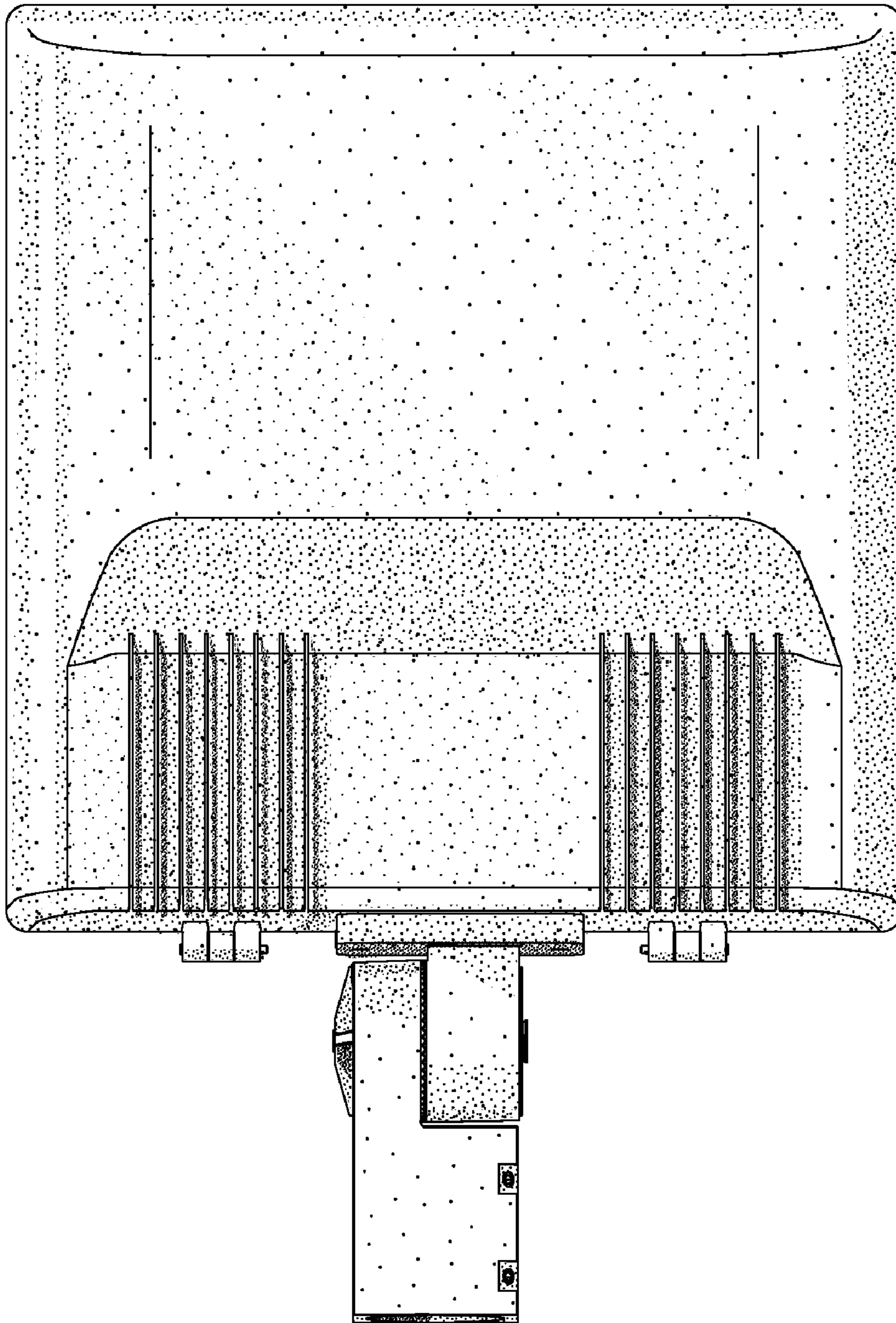


Fig. 3

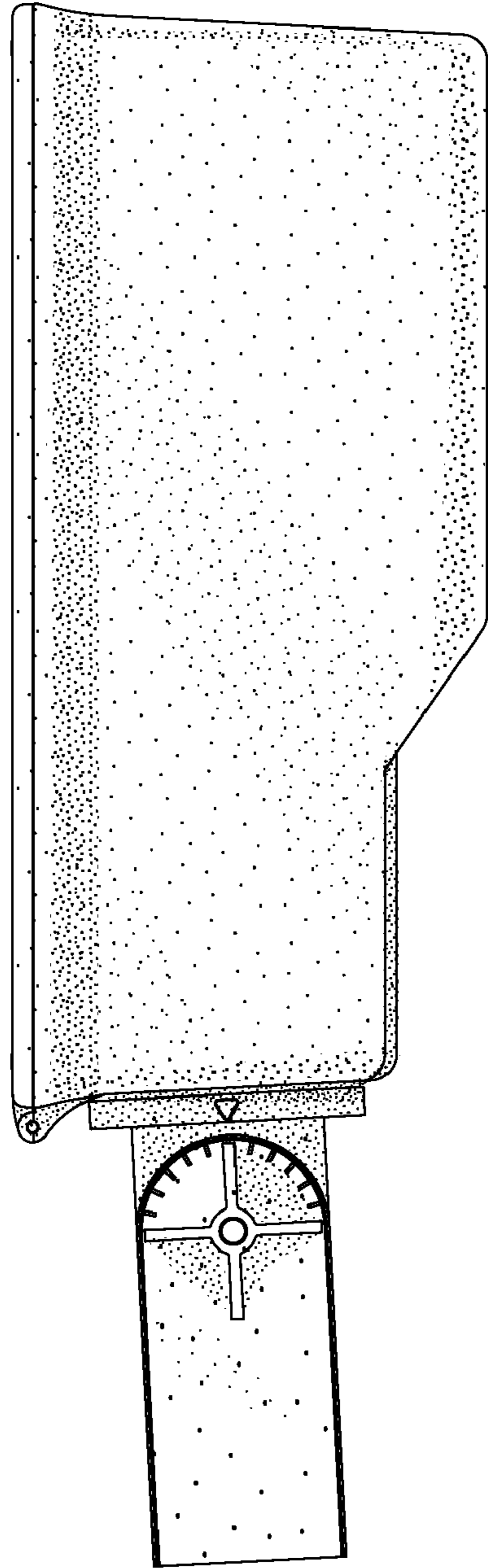


Fig. 4

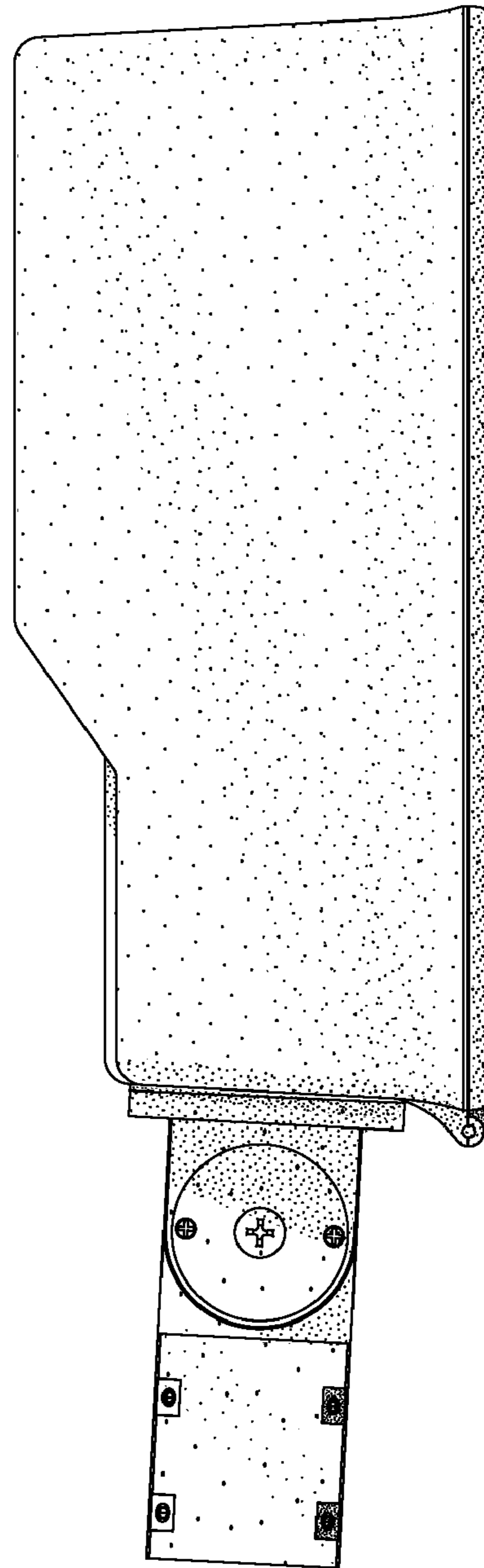


Fig. 5

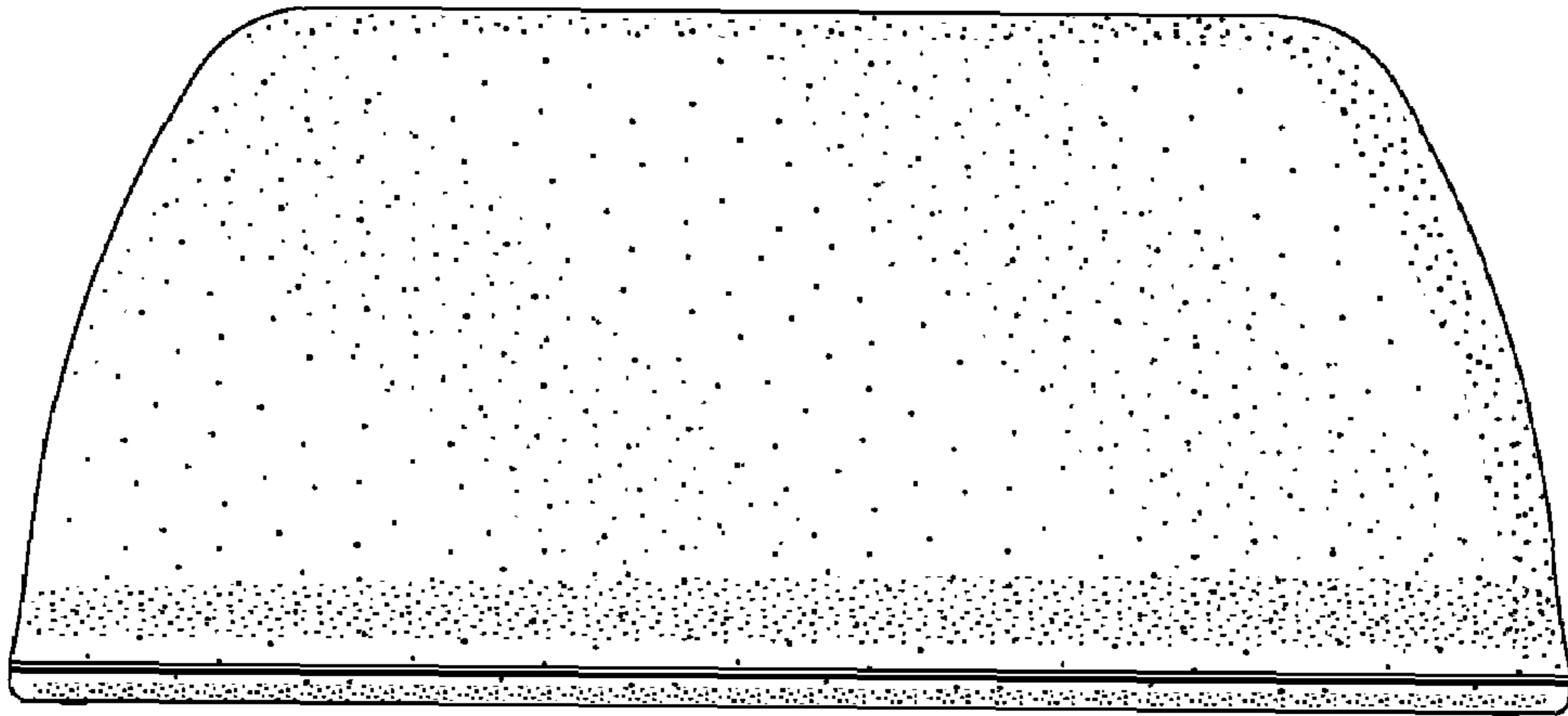


Fig. 6

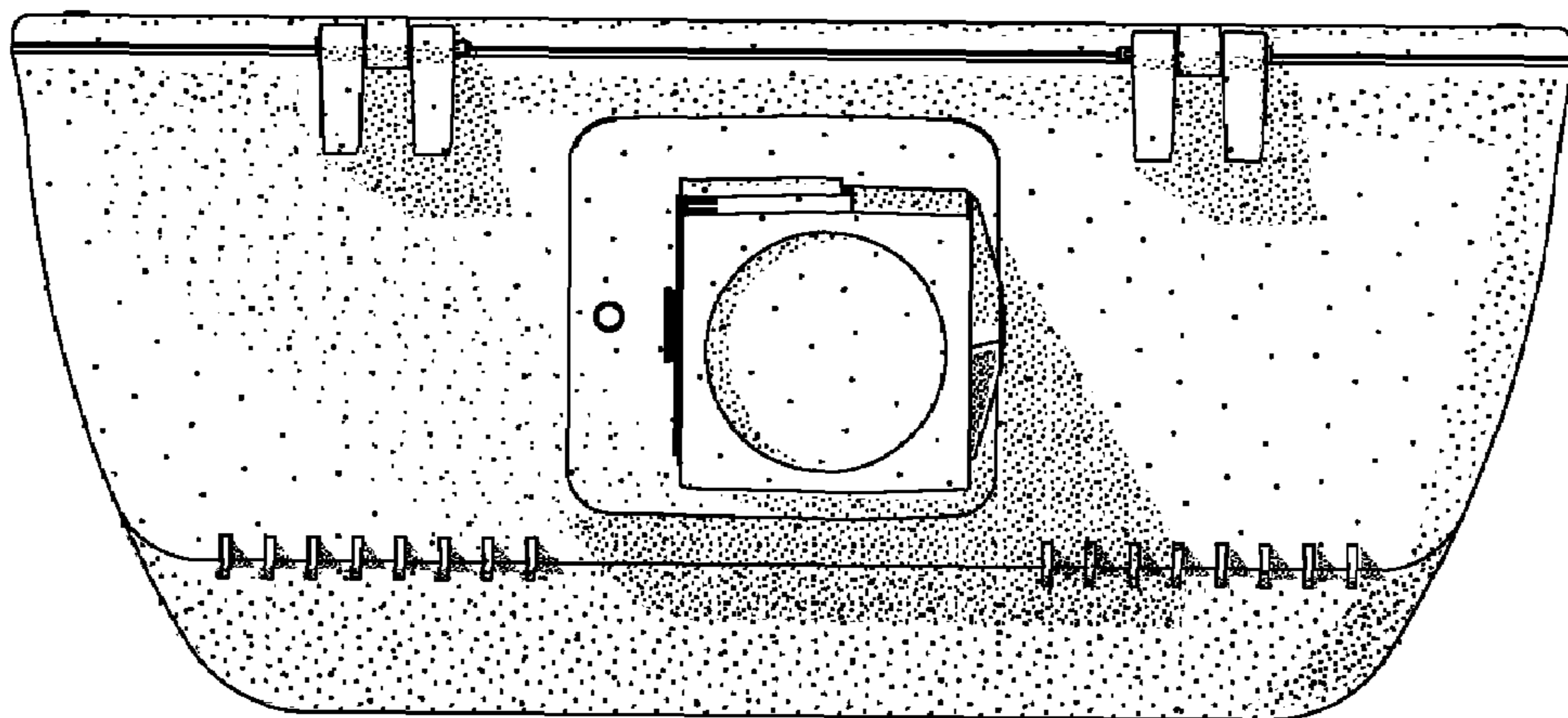


Fig. 7