

US00D567979S

(12) **United States Design Patent**  
**Starck**

(10) **Patent No.:** **US D567,979 S**

(45) **Date of Patent:** **\*\* Apr. 29, 2008**

(54) **LIGHTING FIXTURE**

D413,176 S \* 8/1999 Mier-Langner ..... D26/63  
D443,940 S \* 6/2001 Donato ..... D26/63  
D538,959 S \* 3/2007 Kosche ..... D26/63

(75) Inventor: **Philippe Starck**, WII London (GB)

(73) Assignee: **FLOS S.p.A.**, Bovezzo (Brescia) (IT)

(\*\*) Term: **14 Years**

(21) Appl. No.: **29/215,070**

(22) Filed: **Oct. 13, 2004**

(30) **Foreign Application Priority Data**

Apr. 14, 2004 (EM) ..... 000162508-0002

(51) **LOC (8) Cl.** ..... **26-05**

(52) **U.S. Cl.** ..... **D26/63**

(58) **Field of Classification Search** ..... D26/61,  
D26/63, 66, 71, 72; 362/269-271, 273, 285,  
362/287, 289, 372, 396, 418, 426, 427, 430,  
362/648, 650

See application file for complete search history.

(56) **References Cited**

**U.S. PATENT DOCUMENTS**

D287,413 S \* 12/1986 Kusmer et al. .... D26/65  
4,814,955 A \* 3/1989 Price ..... 362/275  
5,140,507 A \* 8/1992 Harwood ..... 362/271  
D370,075 S \* 5/1996 Mier-Langner et al. .... D26/63

**OTHER PUBLICATIONS**

Lightolier LV Track Bullet. Found at lampsplus.com on Sep. 1, 2005.\*

Lightolier Free Form. Found at lampsplus.com on Sep. 1, 2005.\*

\* cited by examiner

*Primary Examiner*—Clare E Heflin

(74) *Attorney, Agent, or Firm*—McGraw and Tuttle P.C.

(57) **CLAIM**

The ornamental design for a lighting fixture, as shown and described.

**DESCRIPTION**

FIG. 1 is a lower perspective view of my new lighting fixture design;

FIG. 2 is a rear side view thereof;

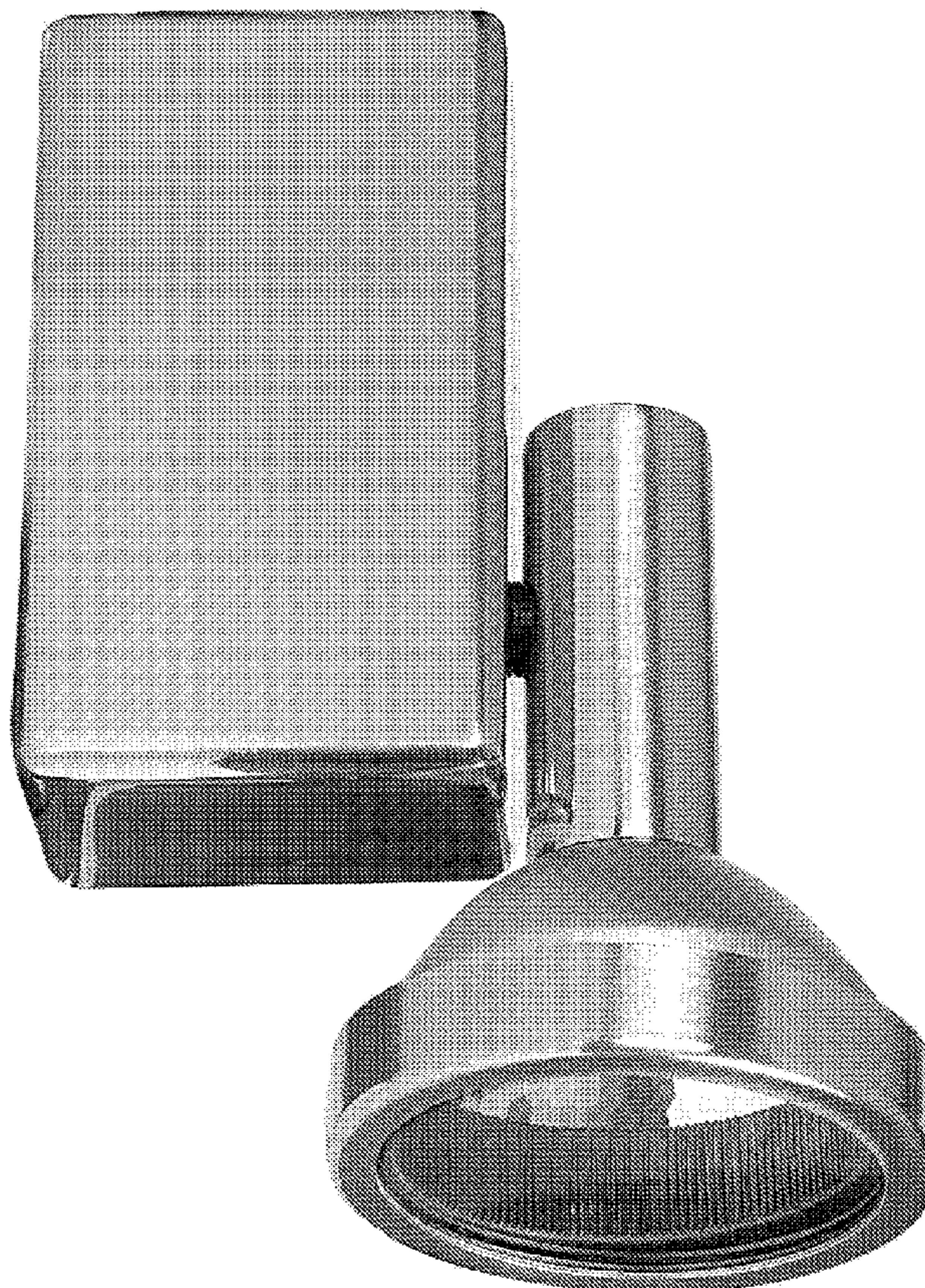
FIG. 3 is a front side view thereof;

FIG. 4 is a lower view thereof;

FIG. 5 is a left side view thereof; and,

FIG. 6 is a right side view thereof.

**1 Claim, 6 Drawing Sheets**





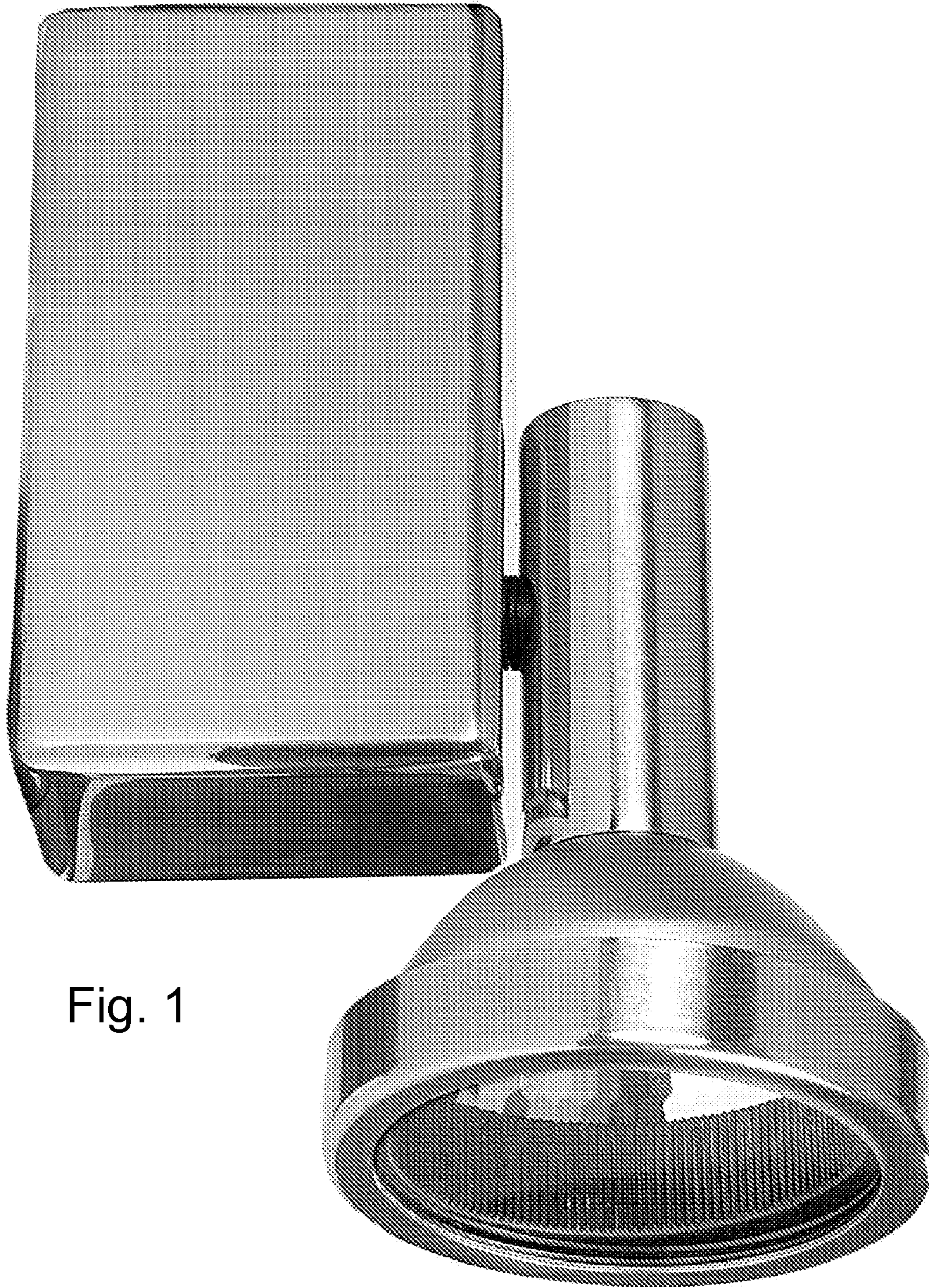


Fig. 1

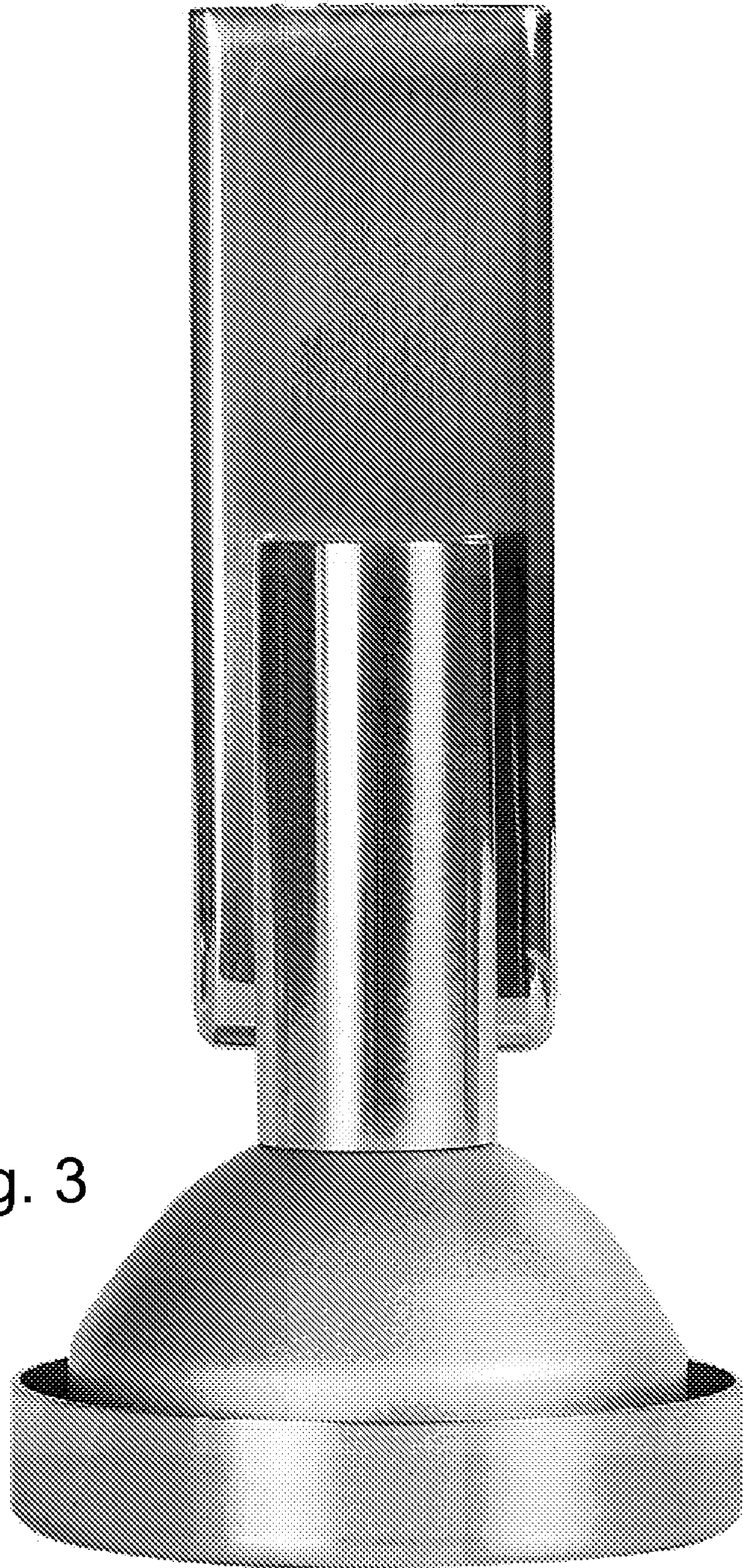




Fig. 2



Fig. 3





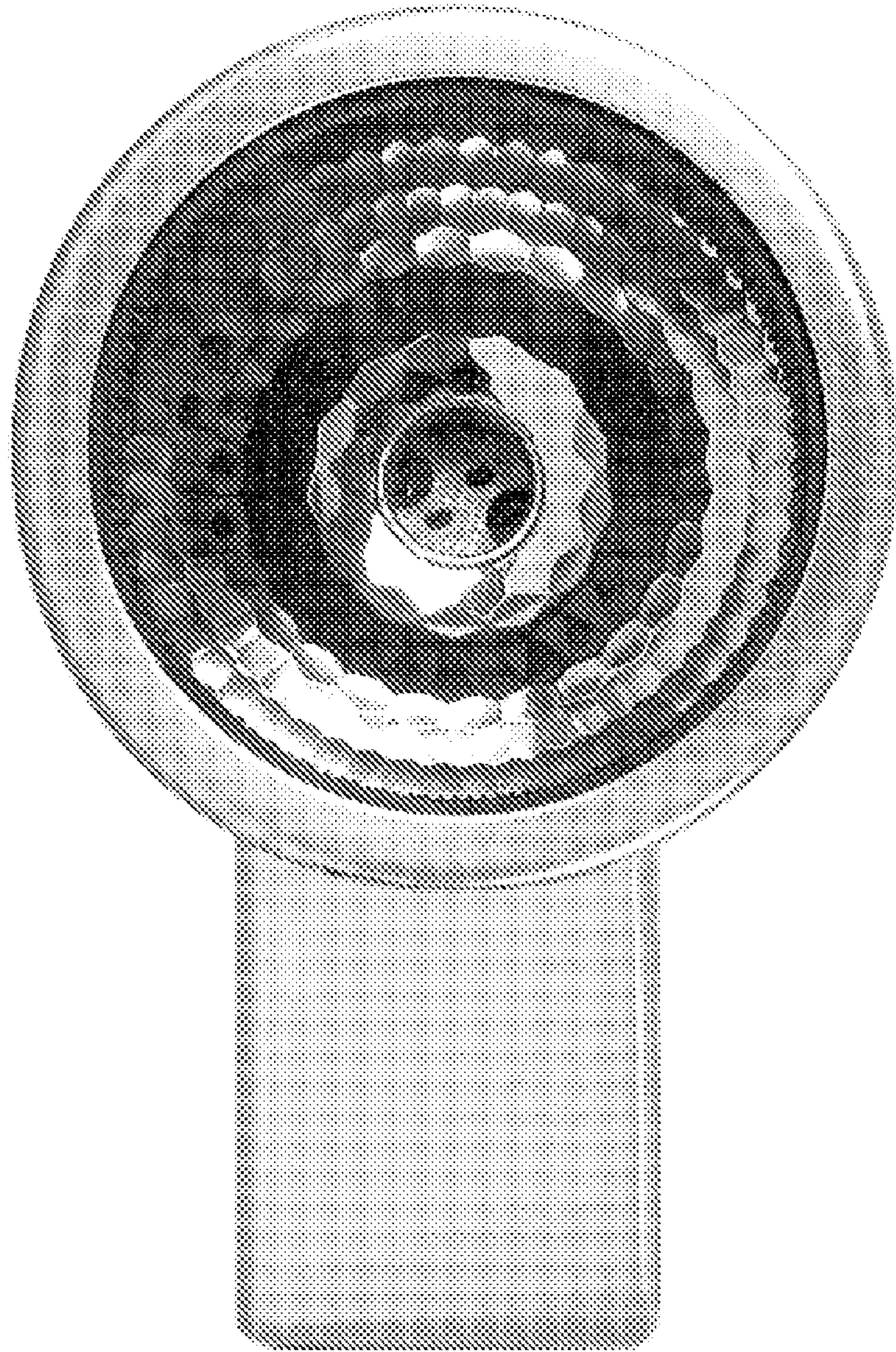


Fig. 4



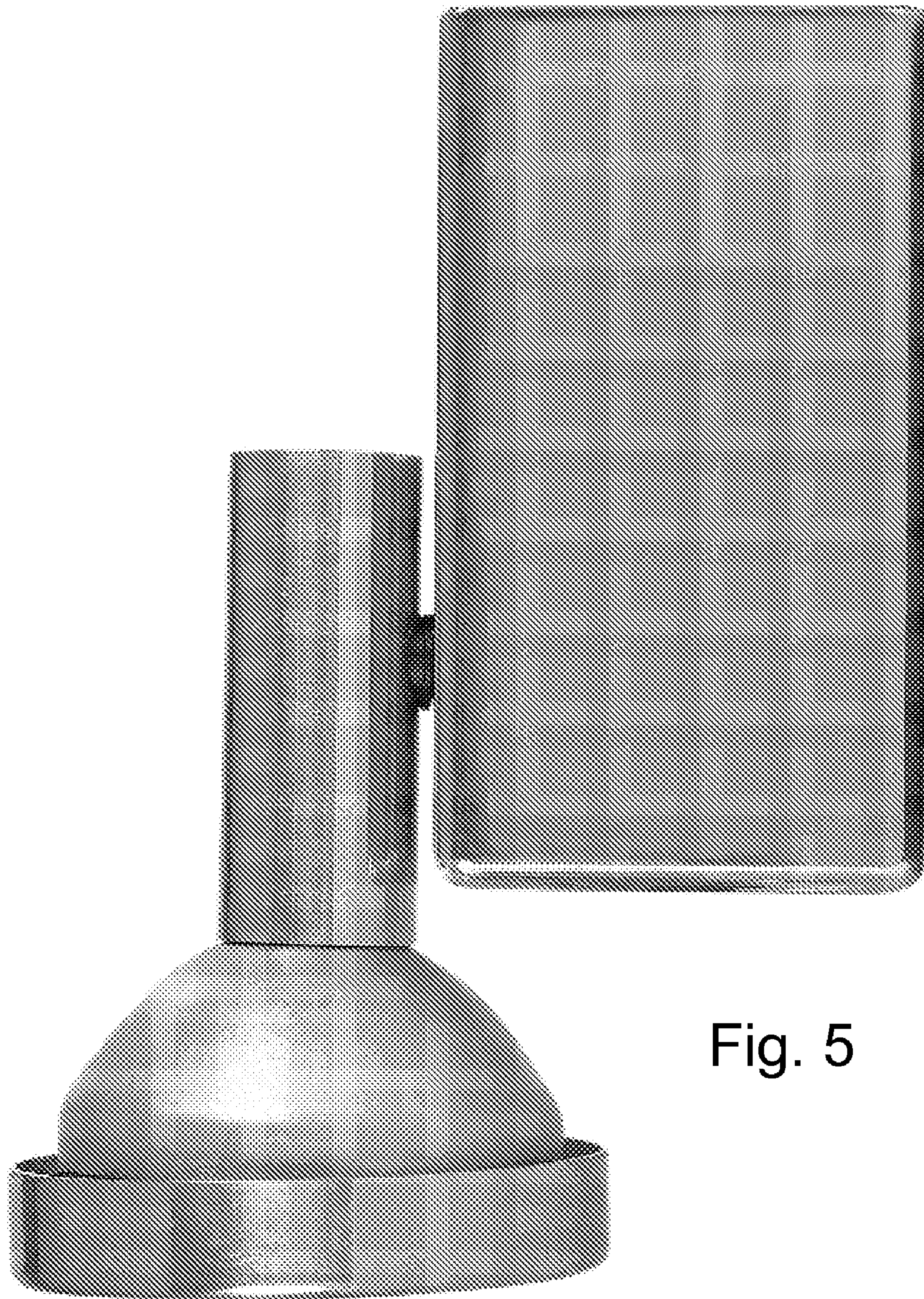


Fig. 5



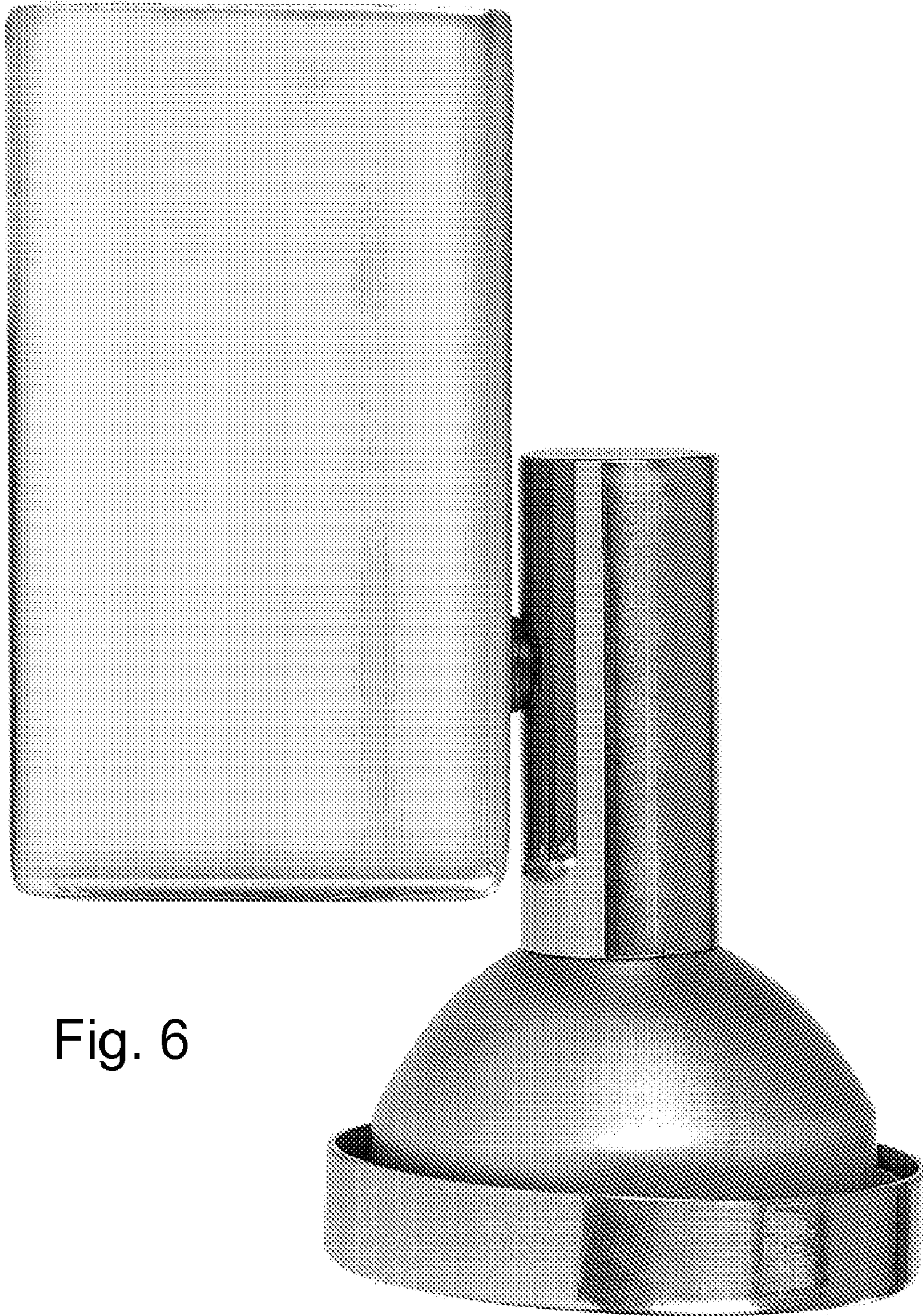


Fig. 6