



US00D567975S

(12) **United States Design Patent**
Wright et al.

(10) **Patent No.:** **US D567,975 S**
(45) **Date of Patent:** **** Apr. 29, 2008**

(54) **LIGHT HOUSING FOR POWER TOOL**

(75) Inventors: **Stuart J. Wright**, Timonium, MD
(US); **Lee M. Brendel**, Bel Air, MD
(US)

(73) Assignee: **Black & Decker Inc.**, Newark, DE
(US)

(**) Term: **14 Years**

(21) Appl. No.: **29/257,913**

(22) Filed: **Apr. 12, 2006**

(51) **LOC (8) Cl.** **26-02**

(52) **U.S. Cl.** **D26/37; D10/65**

(58) **Field of Classification Search** D26/37,
D26/38, 51, 49; 362/109, 119, 191, 253,
362/208, 33, 457, 458, 259, 89; 33/201,
33/202, 286, 290, 291, 640, 645, 644; 408/16;
D8/70; 83/522.11, 520; D10/69, 70, 65
See application file for complete search history.

(56) **References Cited**

U.S. PATENT DOCUMENTS

2,310,166	A *	2/1943	Way	362/119
6,502,949	B1 *	1/2003	Horiyama et al.	362/119
D485,382	S *	1/2004	Palm	D26/38
6,988,439	B2 *	1/2006	Liu et al.	83/520
7,093,951	B2 *	8/2006	Tsuruta et al.	362/119
7,101,058	B2 *	9/2006	Prell et al.	362/191
D538,688	S *	3/2007	Snider	D10/70
D538,691	S *	3/2007	Munroe et al.	D10/70

7,207,251	B2 *	4/2007	Ushiwata et al.	83/520
7,267,039	B2 *	9/2007	Liao et al.	83/520
2002/0054491	A1 *	5/2002	Casas	362/119
2003/0058638	A1 *	3/2003	Gillette	362/119
2005/0111214	A1 *	5/2005	Zeiler	362/119
2005/0223571	A1 *	10/2005	Park et al.	33/286
2006/0104053	A1 *	5/2006	Etter et al.	362/109
2006/0203469	A1 *	9/2006	Niemann	362/89

* cited by examiner

Primary Examiner—Ian Simmons

Assistant Examiner—Carissa C Fitts

(74) *Attorney, Agent, or Firm*—Adan Ayala

(57) **CLAIM**

The ornamental design for a light housing for a power tool, as shown and described.

DESCRIPTION

FIG. 1 is a perspective view from the right side showing our new design for a light housing.

FIG. 2 is a front elevational view of the light housing.

FIG. 3 is a left side elevational view of the light housing.

FIG. 4 is a right side elevational view of the light housing.

FIG. 5 is a top plan view of the light housing; and,

FIG. 6 is a bottom plan view of the light housing.

The broken line showing is for illustrative purposes only and forms no part of the claimed design.

1 Claim, 6 Drawing Sheets

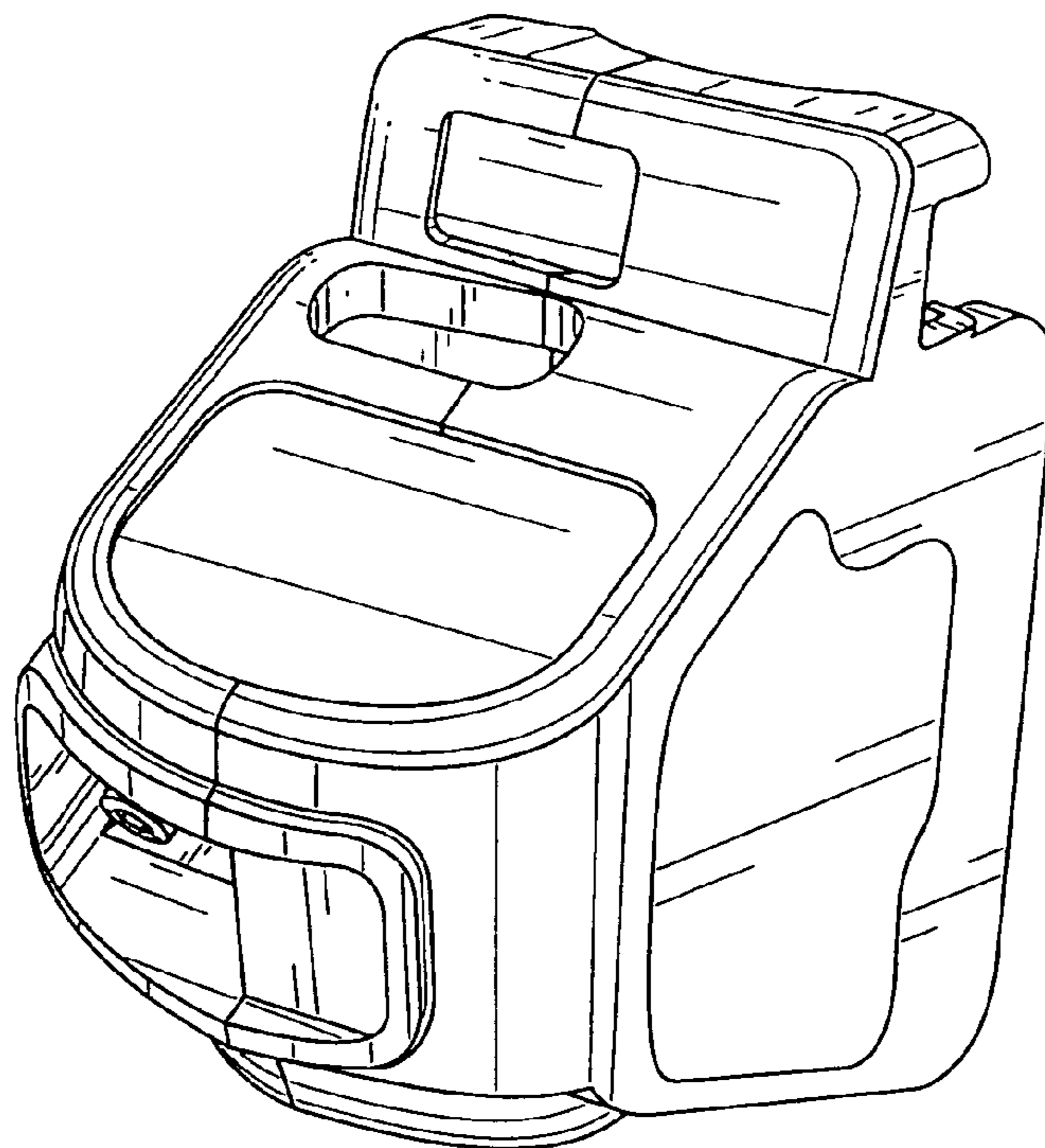




FIG. 1

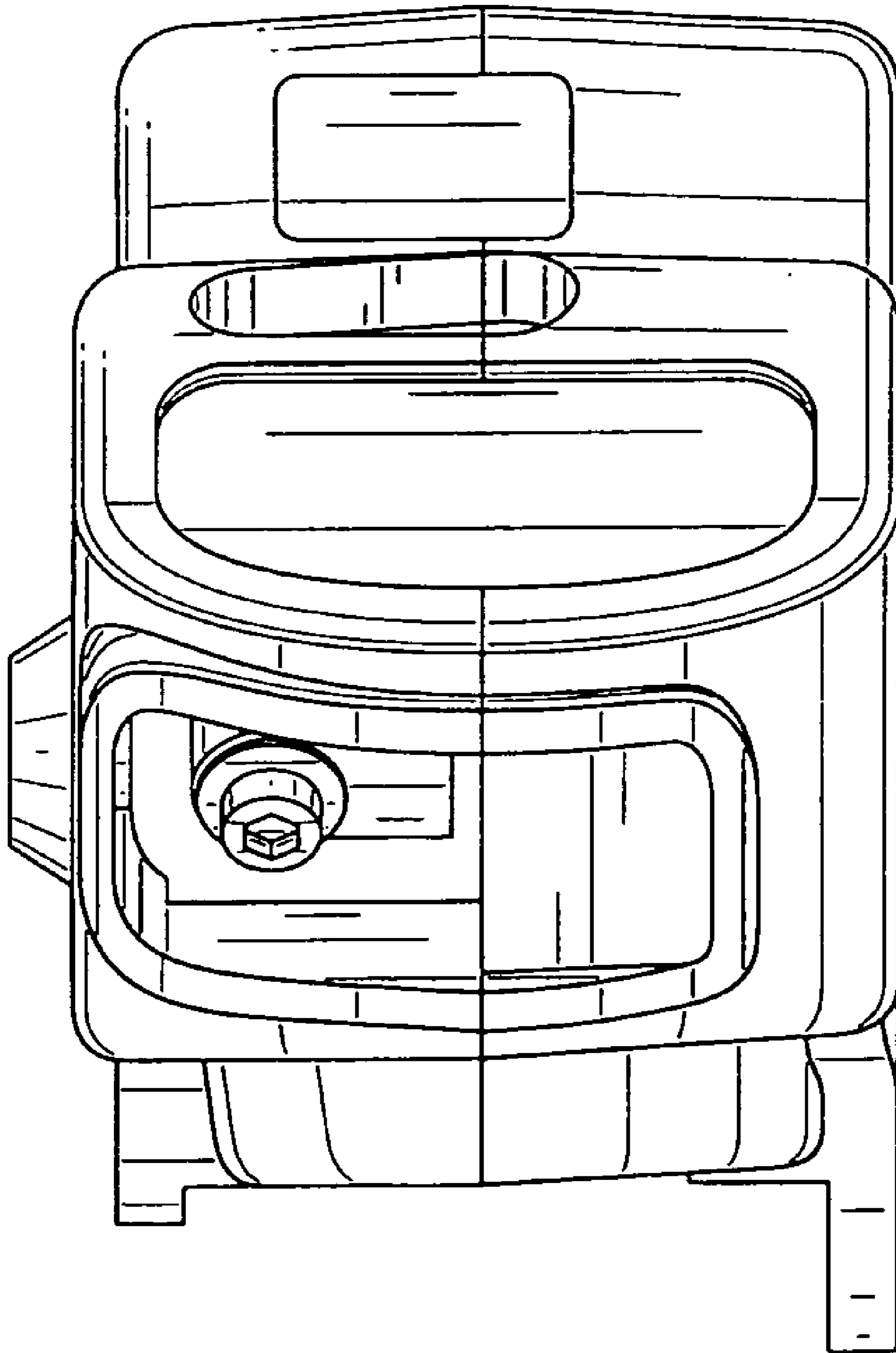


FIG. 2

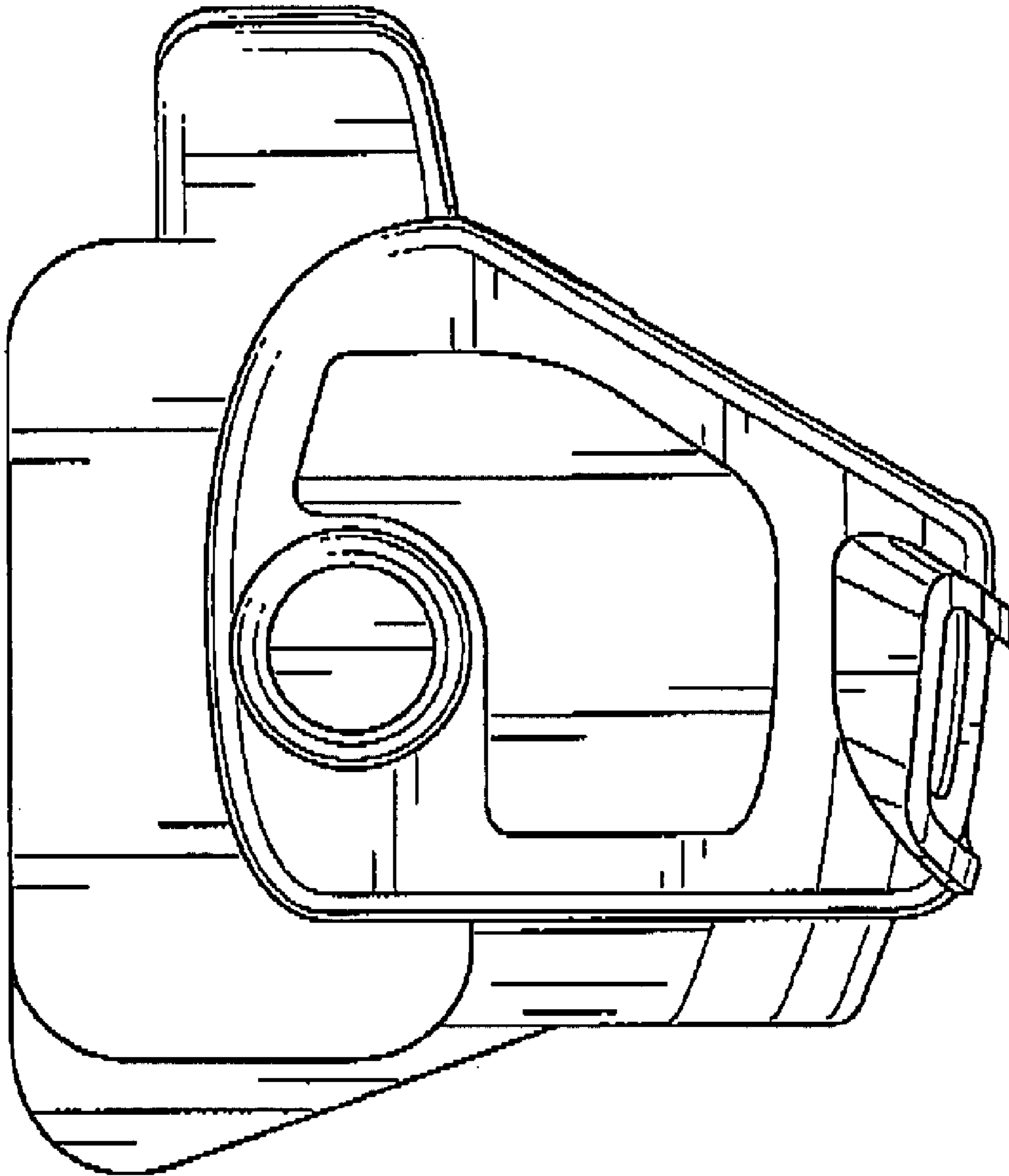


FIG. 3

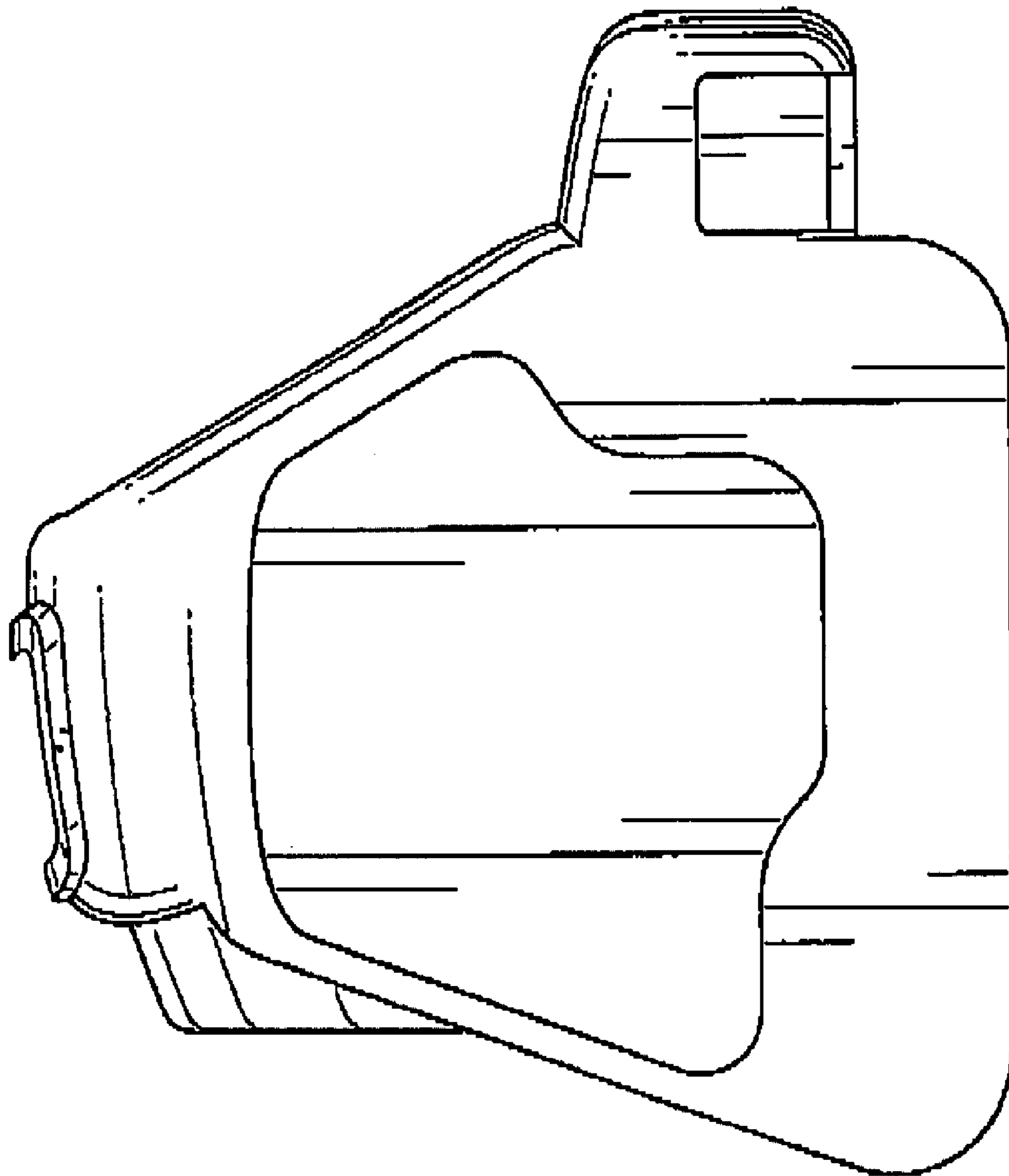


FIG. 4

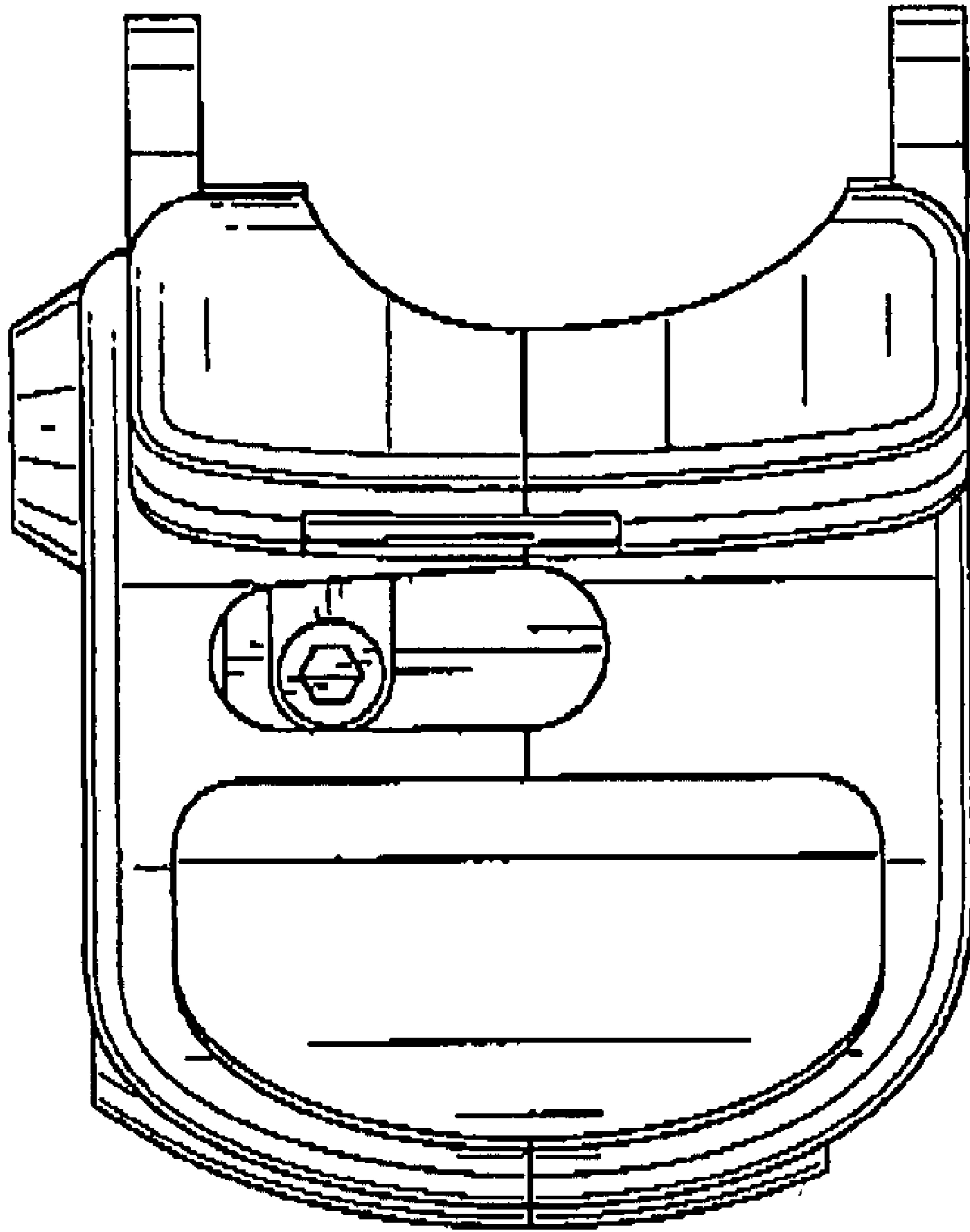


FIG. 5

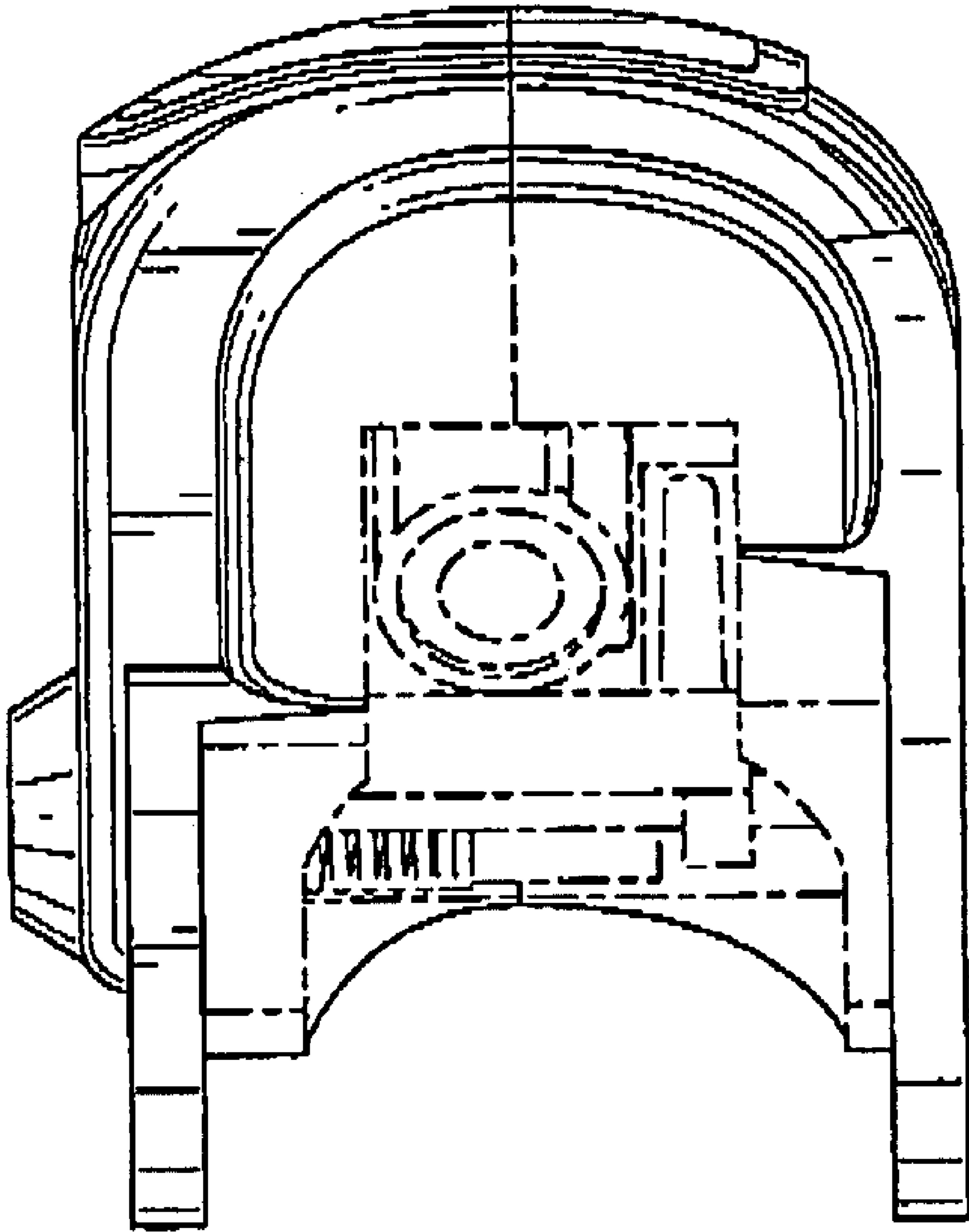


FIG. 6