



US00D567974S

(12) **United States Design Patent**
Yuen

(10) **Patent No.:** **US D567,974 S**

(45) **Date of Patent:** **** Apr. 29, 2008**

(54) **RECHARGEABLE LED SPOTLIGHT WITH CAMPING LIGHT**

Primary Examiner—Marcus A. Jackson
(74) *Attorney, Agent, or Firm*—Akerman Senterfitt

(76) **Inventor:** **Se Kit Yuen**, 6/F, Yau Lee Centre, 45 Hoi Yuen Road, Kwun Tong, Kowloon (HK)

(57) **CLAIM**

The ornamental design of a rechargeable LED spotlight with camping light, as shown and described.

(**) **Term:** **14 Years**

(21) **Appl. No.:** **29/296,595**

DESCRIPTION

(22) **Filed:** **Oct. 24, 2007**

(51) **LOC (8) Cl.** **26-06**

(52) **U.S. Cl.** **D26/28**

(58) **Field of Classification Search** D26/37-50;
362/157, 158, 171-174, 183-208
See application file for complete search history.

FIG. 1 is a front view of a rechargeable LED spotlight with camping light;

FIG. 2 is a rear view thereof;

FIG. 3 is a left side view thereof;

FIG. 4 is a right side view thereof;

FIG. 5 is a top view thereof;

FIG. 6 is a bottom view thereof;

FIG. 7 is a front, bottom and right side perspective view thereof; and,

FIG. 8 is a rear, top and left side perspective view thereof.

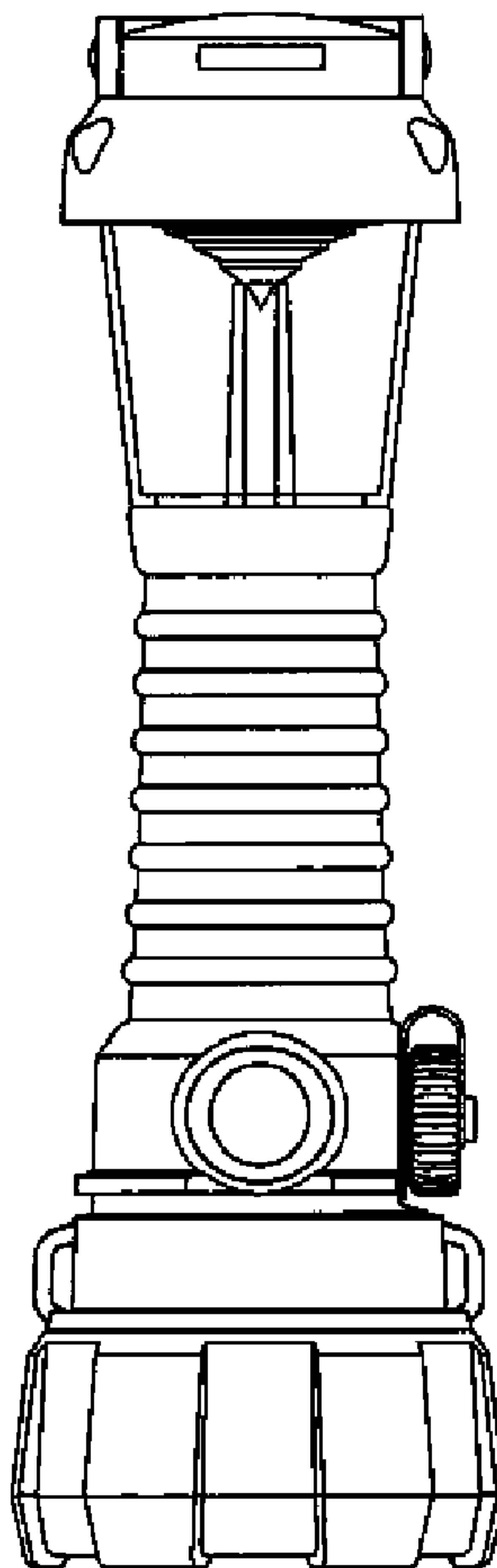
(56) **References Cited**

U.S. PATENT DOCUMENTS

D529,643 S *	10/2006	Kung	D26/37
D543,298 S *	5/2007	Leung	D26/37
D553,272 S *	10/2007	Leung	D26/37

* cited by examiner

1 Claim, 5 Drawing Sheets



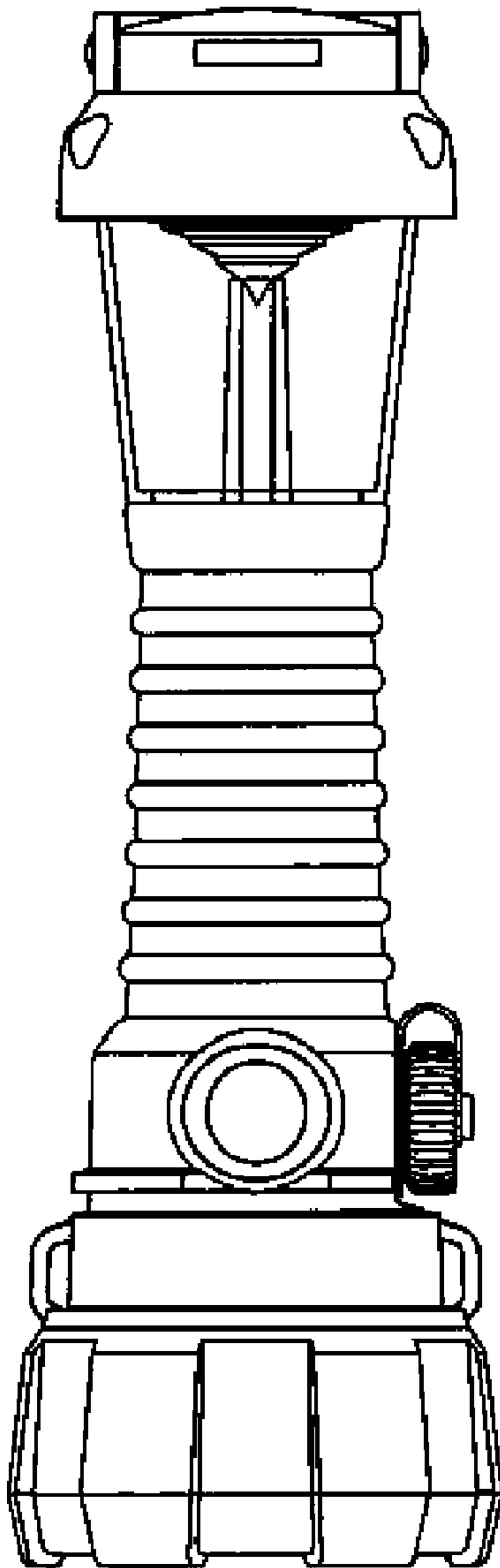


FIG. 1

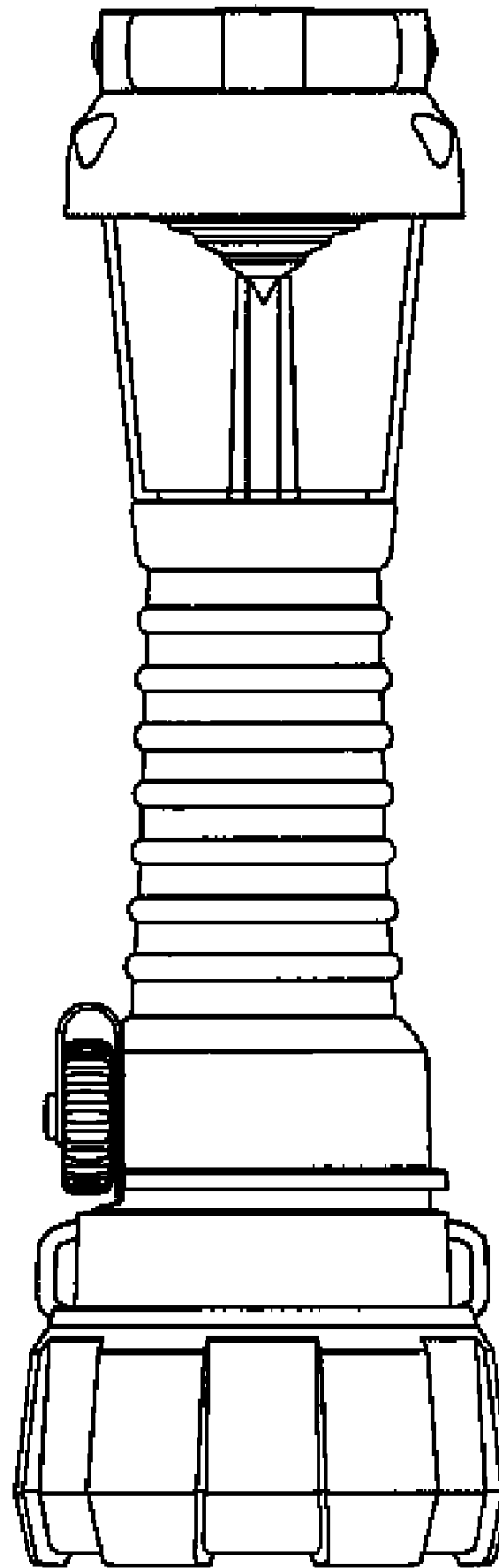


FIG. 2

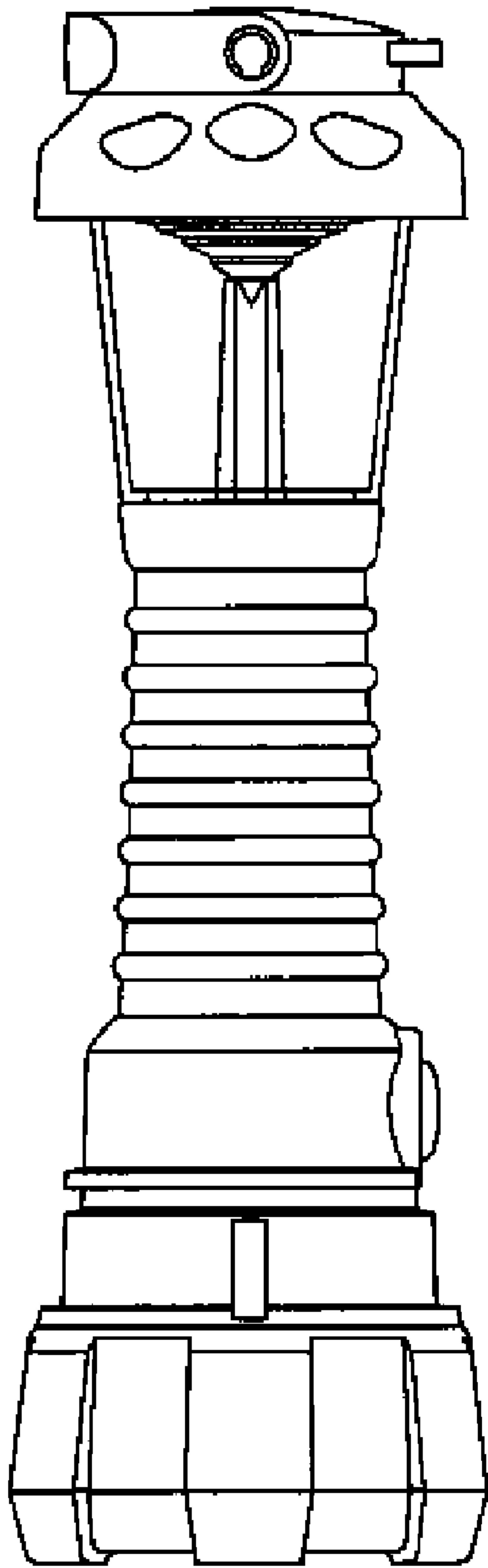


FIG. 3

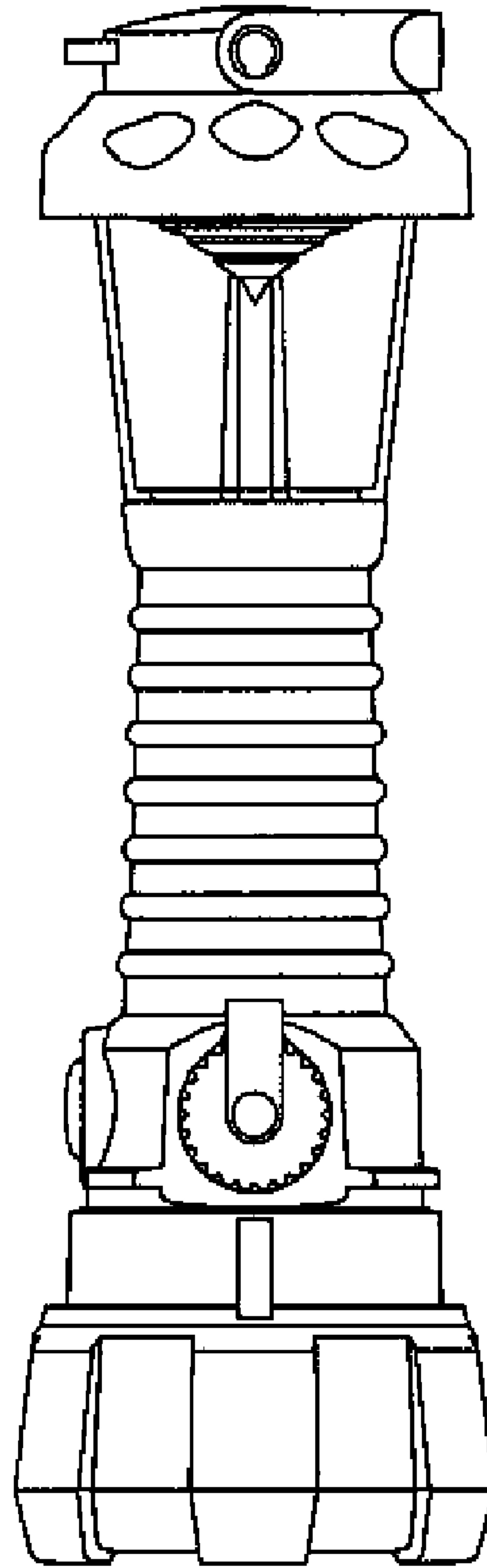


FIG. 4

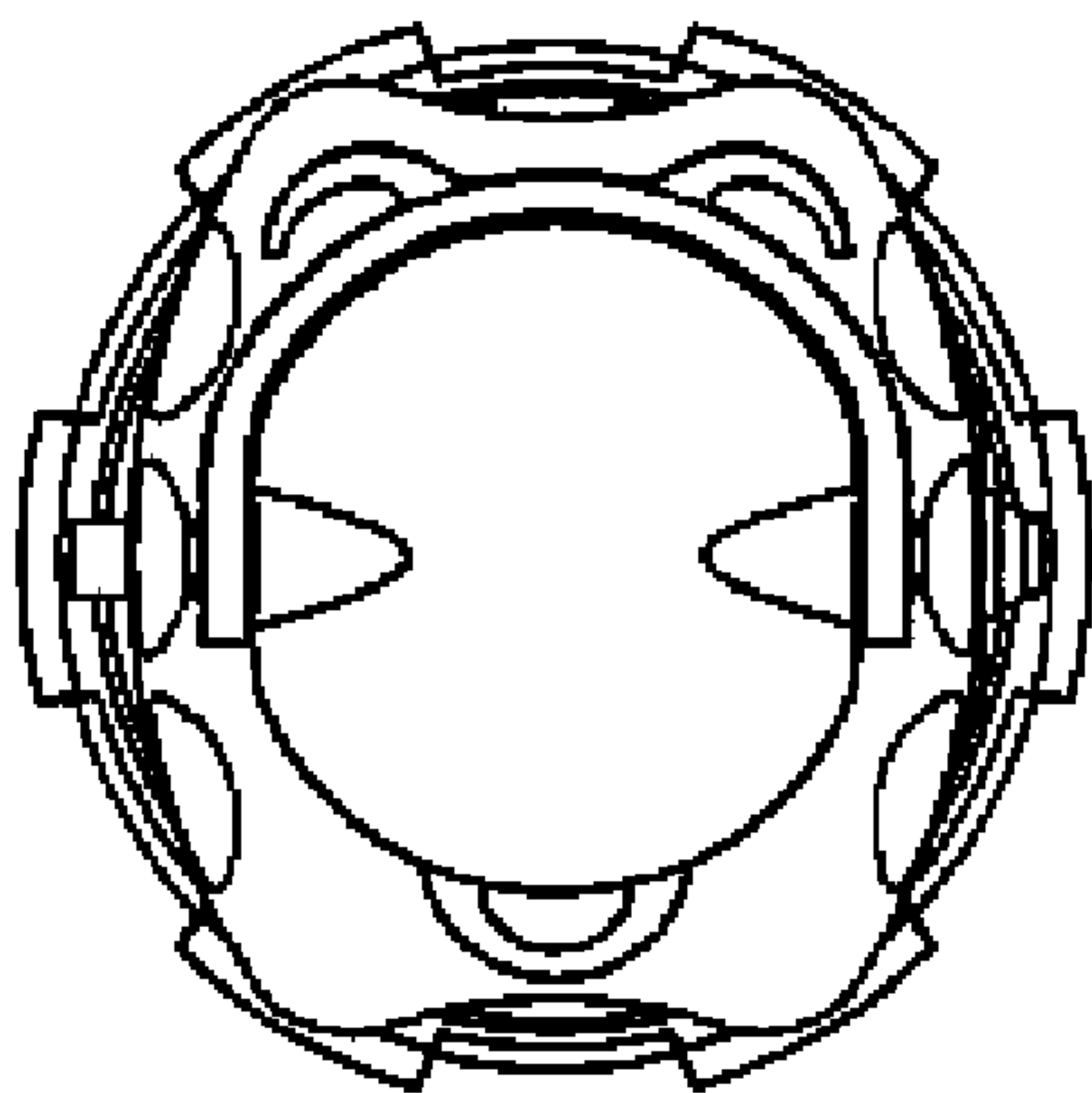


FIG. 5

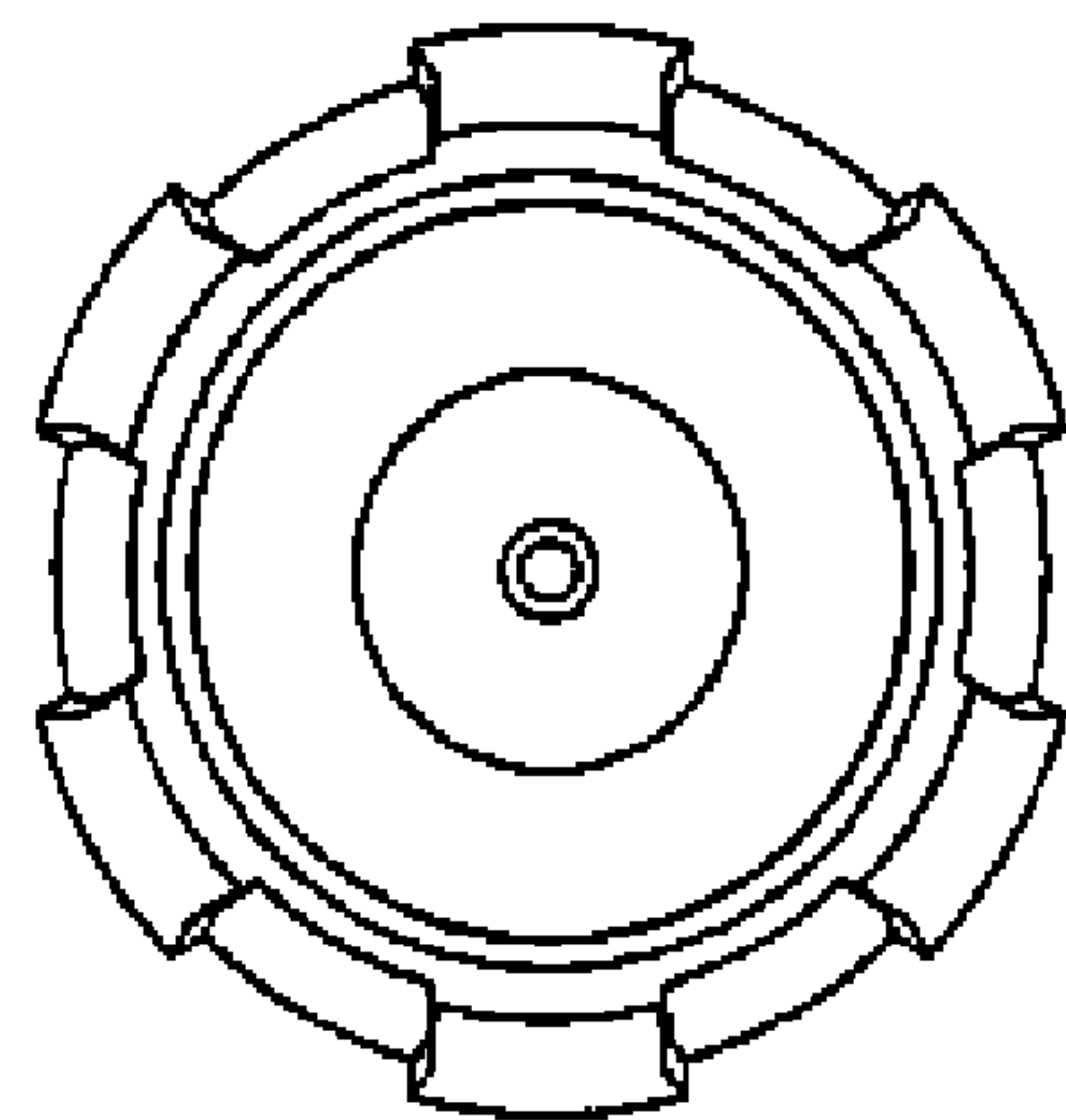


FIG. 6

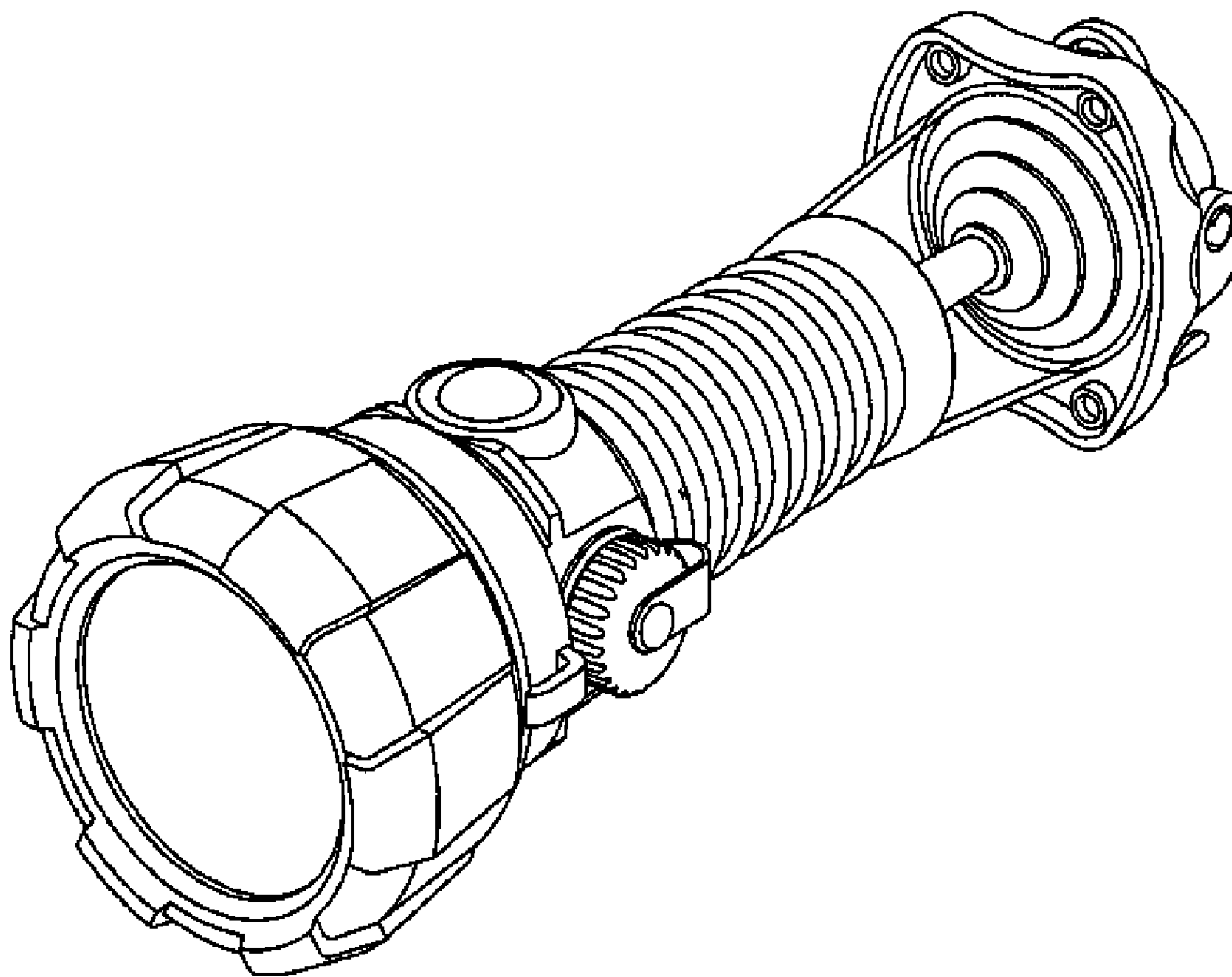


FIG. 7

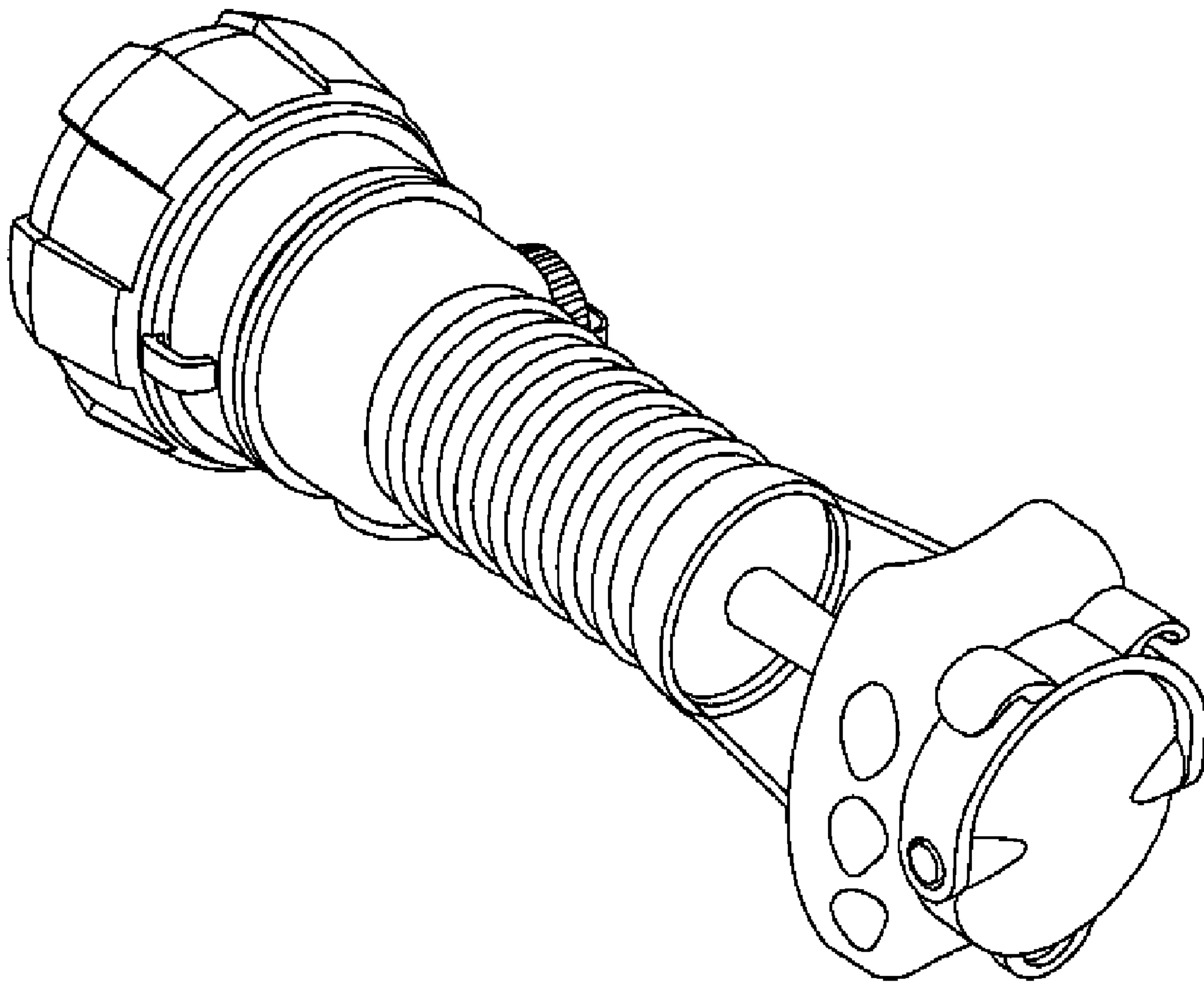


FIG. 8