

US00D567970S

(12) **United States Design Patent**
Hsu

(10) **Patent No.:** **US D567,970 S**

(45) **Date of Patent:** **** Apr. 29, 2008**

(54) **EXTERIOR SURFACE CONFIGURATION OF VEHICLE FRONT LIGHT**

D552,768 S * 10/2007 Leclercq D26/28

* cited by examiner

(76) **Inventor:** **Hong Ming Hsu**, No 152. Sec 2.
Funong St. East District, Tainan City
(TW) 701

Primary Examiner—Marcus A. Jackson
(74) *Attorney, Agent, or Firm*—Alexander Chen, Esq.

(**) **Term:** **14 Years**

(57) **CLAIM**

(21) **Appl. No.:** **29/292,216**

The ornamental design for an exterior surface configuration of a vehicle front light, as shown and described.

(22) **Filed:** **Oct. 2, 2007**

DESCRIPTION

(51) **LOC (8) Cl.** **26-06**

(52) **U.S. Cl.** **D26/28**

(58) **Field of Classification Search** D26/28-36;
362/459-468, 475-478, 485-487

See application file for complete search history.

FIG. 1 is perspective view from the front right of an exterior surface configuration of a vehicle front light. The drawings and descriptions represent the left side embodiment. The design also contemplates a mirror symmetrical embodiment on the right side of the vehicle. The dash line included denotes environment and is not part of the claimed design

(56) **References Cited**

U.S. PATENT DOCUMENTS

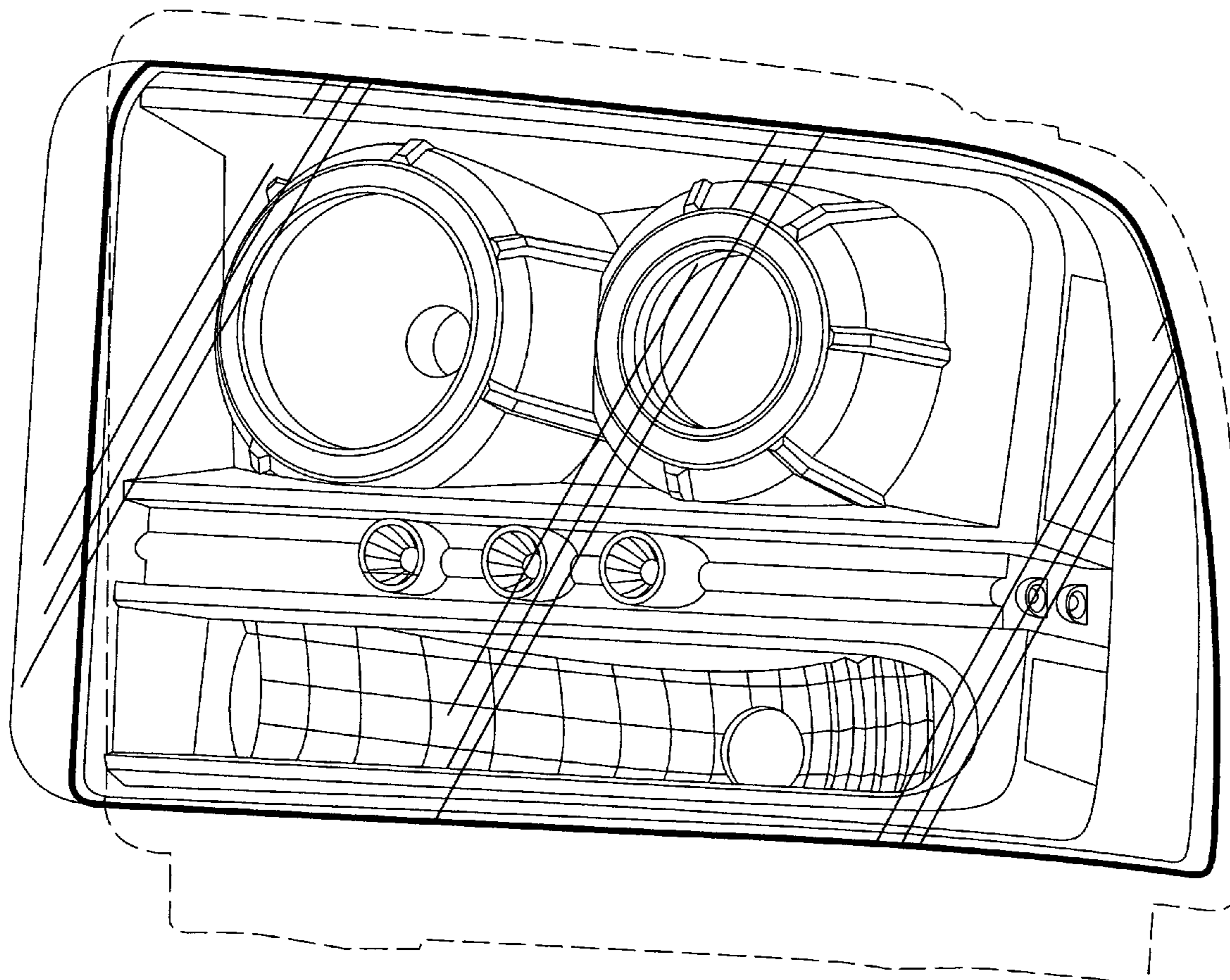
D506,842 S *	6/2005	Nagura et al.	D26/28
D524,466 S *	7/2006	Essig	D26/28
D529,208 S *	9/2006	Ikeda	D26/28
D538,954 S *	3/2007	Pfeiffer	D26/28

FIG. 2 is a front elevation view thereof;

FIG. 3 is a right elevation view thereof; and,

FIG. 4 is a top view thereof.

1 Claim, 4 Drawing Sheets



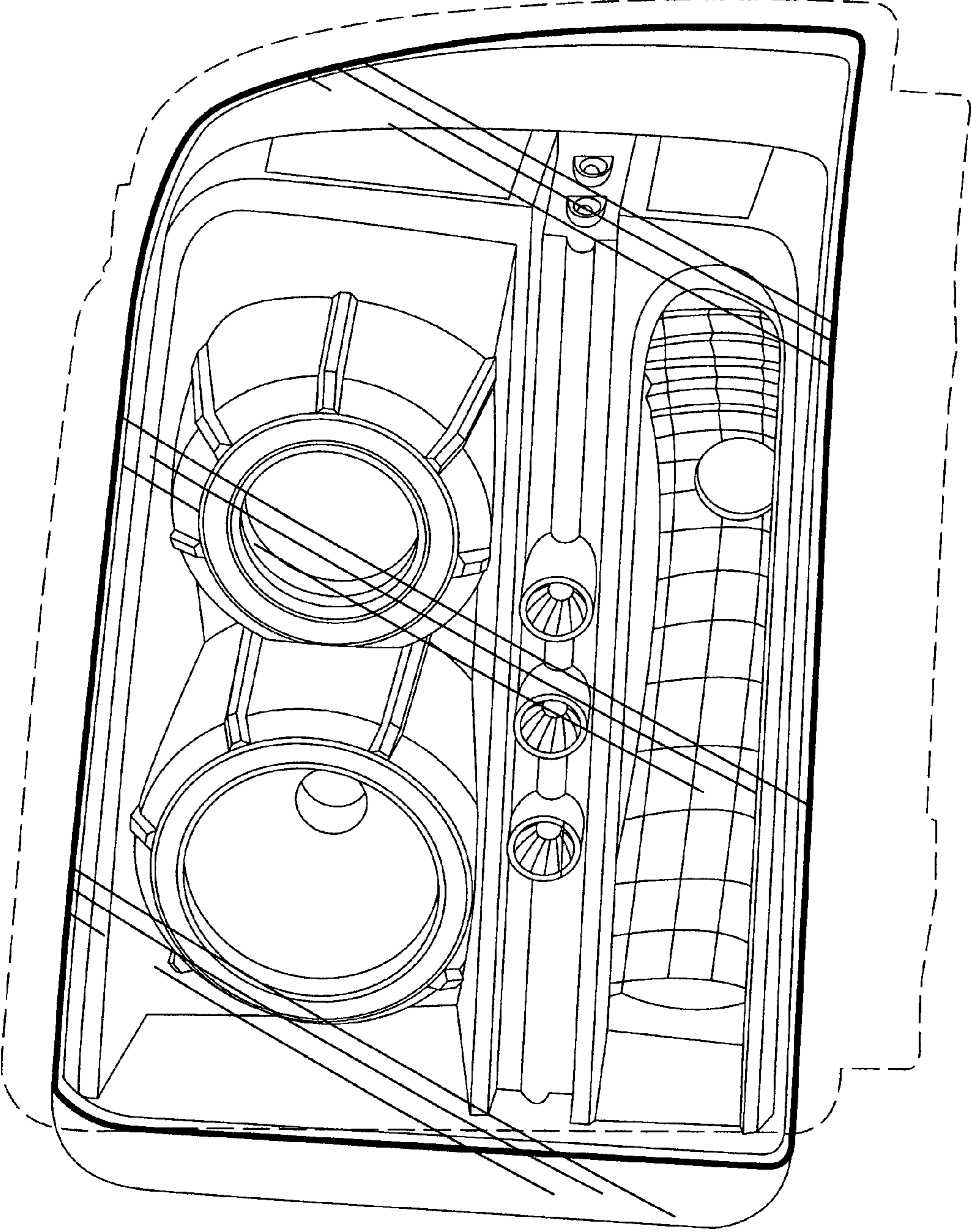


FIG. 1

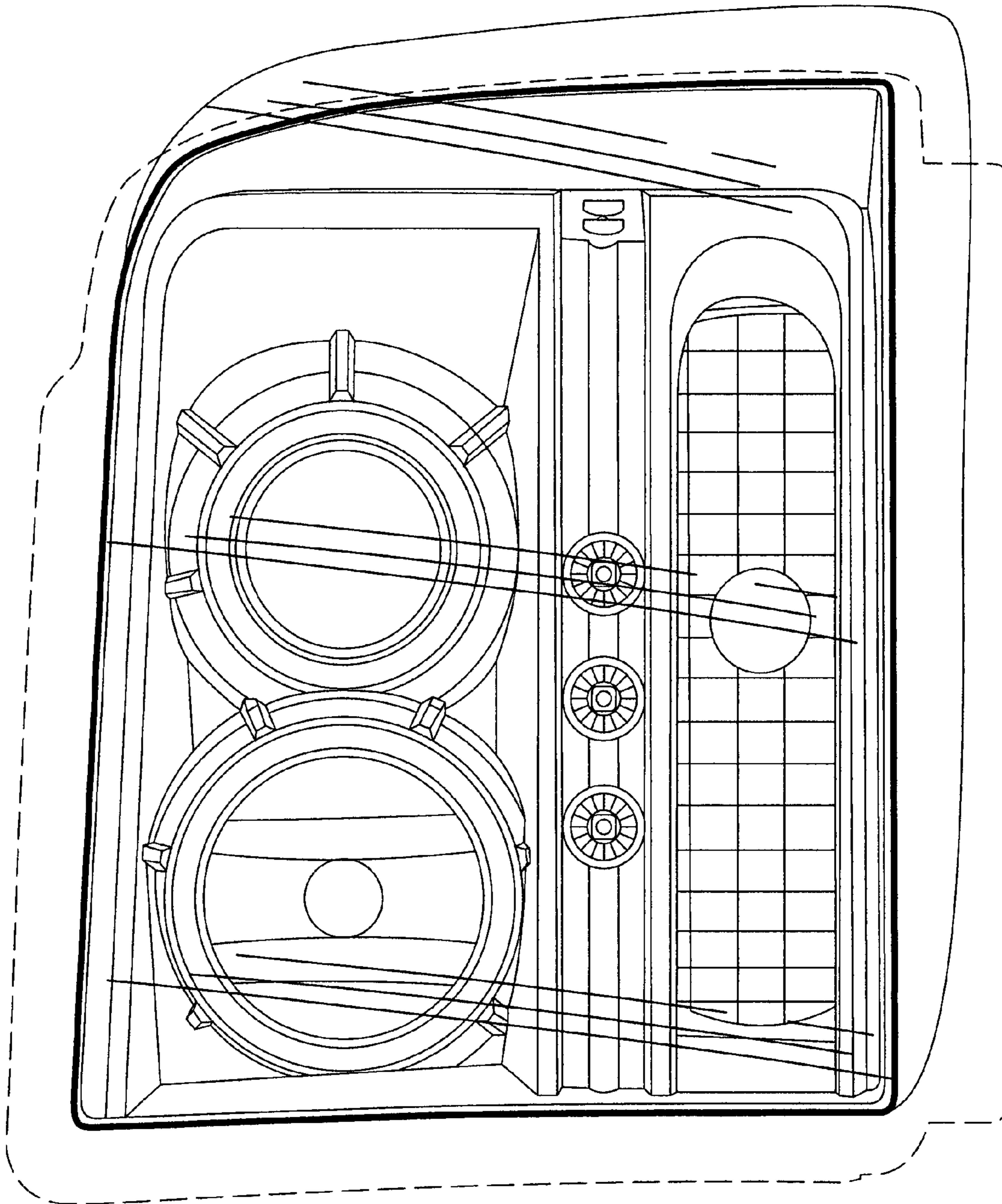


FIG. 2

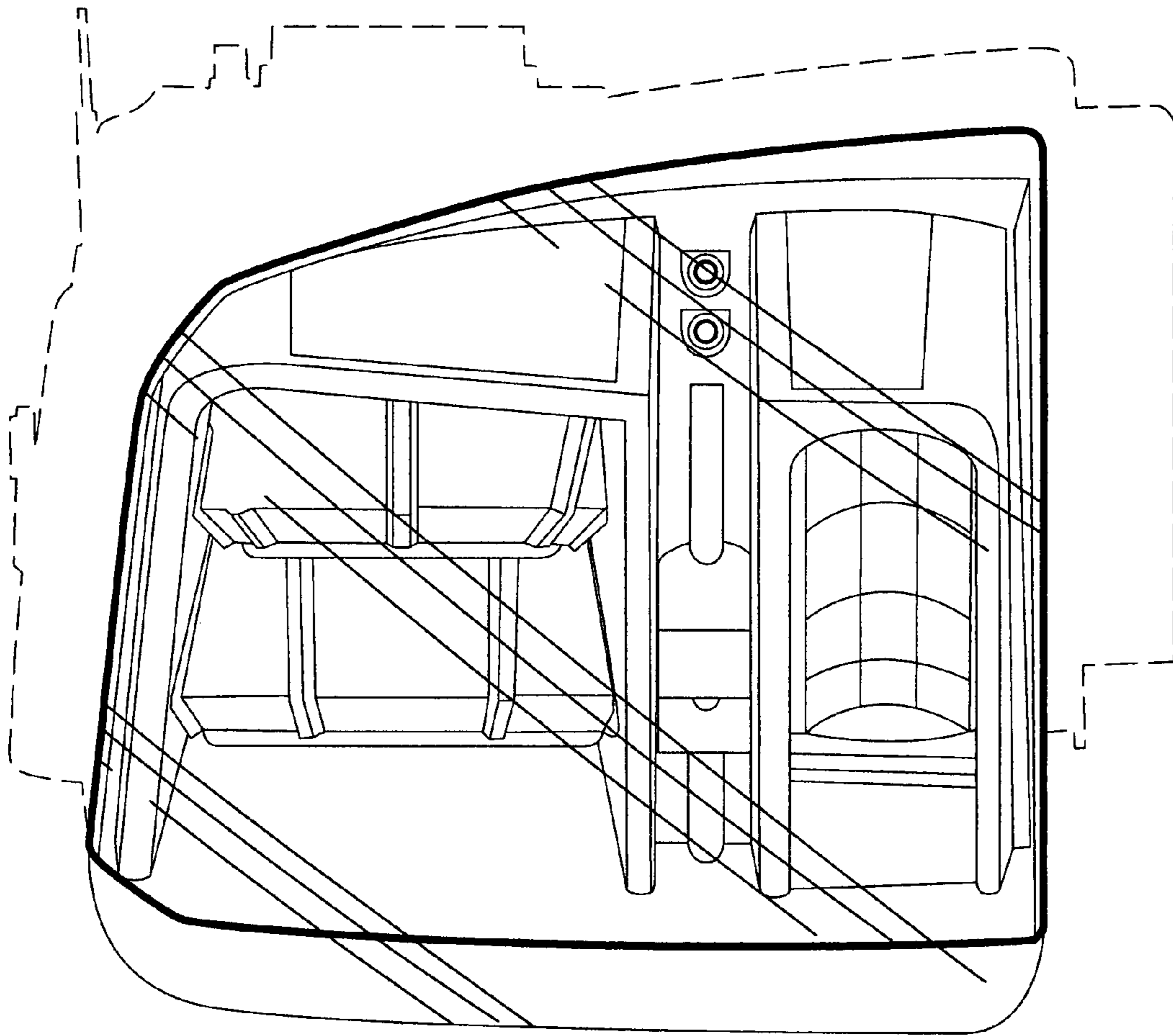


FIG. 3



FIG. 4