

US00D567969S

(12) **United States Design Patent**
Sinkwitz

(10) **Patent No.:** **US D567,969 S**

(45) **Date of Patent:** **** Apr. 29, 2008**

(54) **SURFACE CONFIGURATION OF A HEADLIGHT FOR A VEHICLE**

(74) *Attorney, Agent, or Firm*—Crowell & Moring LLP

(75) Inventor: **Hartmut Sinkwitz**, Heimsheim (DE)

(57) **CLAIM**

(73) Assignee: **samrt GmbH**, Boeblingen (DE)

The ornamental design for a surface configuration of a headlight for a vehicle, as shown and described.

(**) Term: **14 Years**

(21) Appl. No.: **29/272,301**

DESCRIPTION

(22) Filed: **Feb. 6, 2007**

Related U.S. Application Data

(63) Continuation-in-part of application No. 29/267,010, filed on Oct. 4, 2006, now Pat. No. Des. 546,987.

This application is related to the following co-pending applications, of the inventor: application Ser. No. 29/267,009, entitled "Surface Configuration of a Vehicle, Toy, and/or Other Replicas"; application Ser. No. 29/267,011, entitled "Surface Configuration of a Headlight for a Vehicle"; and application Ser. No. 29/272,302, entitled "Surface Configuration of a Headlight for a Vehicle".

(51) **LOC (8) Cl.** **26-06**

(52) **U.S. Cl.** **D26/28**

(58) **Field of Classification Search** D26/28-36;
362/459-468, 475-478, 485-487

See application file for complete search history.

FIG. 1 is a perspective view of a first embodiment of a surface configuration of a headlight for a vehicle according to my novel design;

FIG. 2 is a front view thereof; and

FIG. 3 is a side view thereof.

(56) **References Cited**

U.S. PATENT DOCUMENTS

D388,897 S	1/1998	Tomforde et al.	
D389,783 S	1/1998	Tomforde et al.	
D538,954 S *	3/2007	Pfeiffer	D26/28
D542,442 S *	5/2007	Matsunami	D26/28
D544,614 S *	6/2007	Markefka	D26/28

FIG. 4 is a perspective view of a second embodiment of the surface configuration of a headlight for a vehicle according to my novel design;

FIG. 5 is a front view thereof; and,

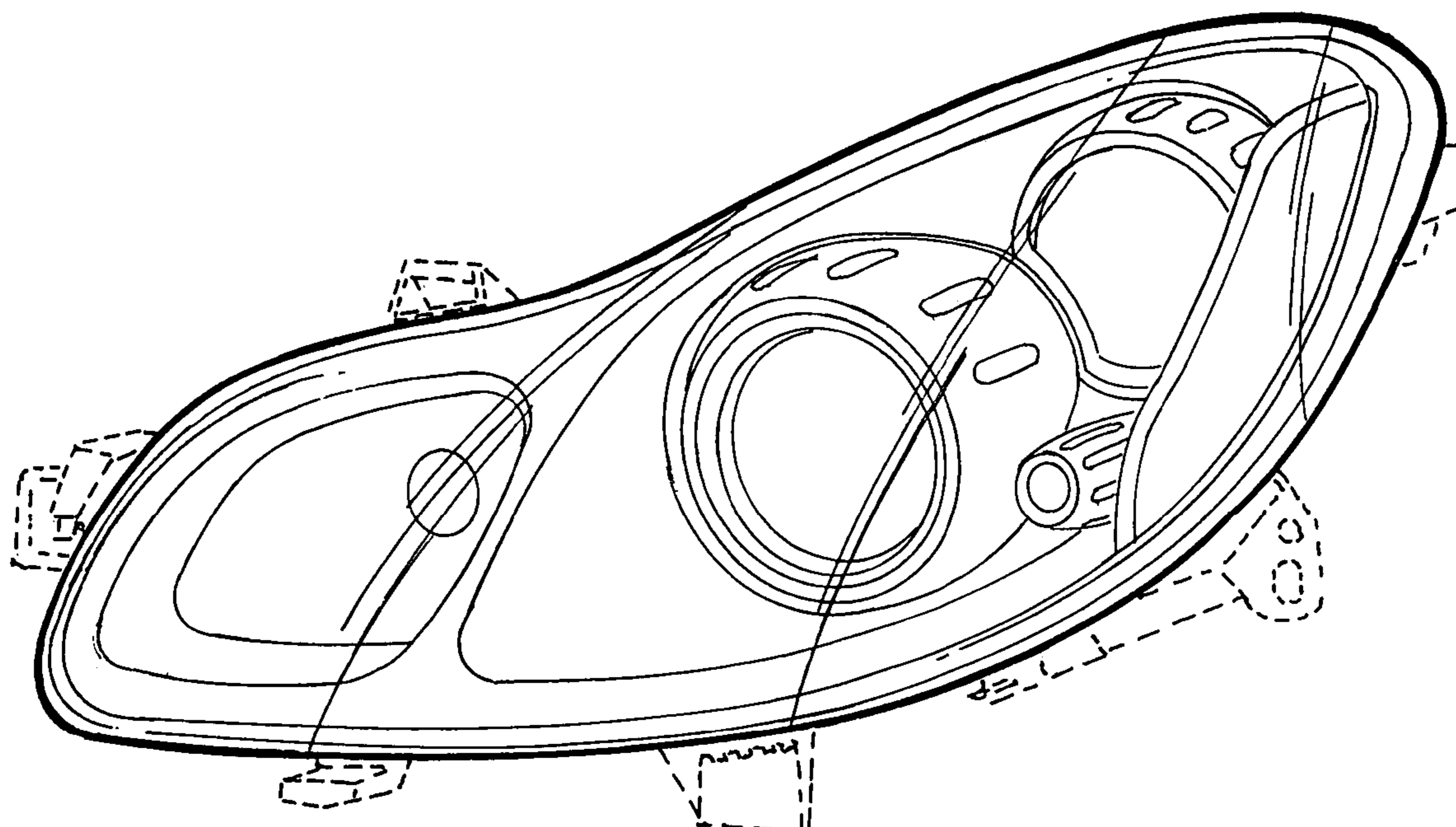
FIG. 6 is a side view thereof.

* cited by examiner

The broken lines are for illustrative purposes only and form no part of the claimed design.

Primary Examiner—Marcus A. Jackson

1 Claim, 4 Drawing Sheets



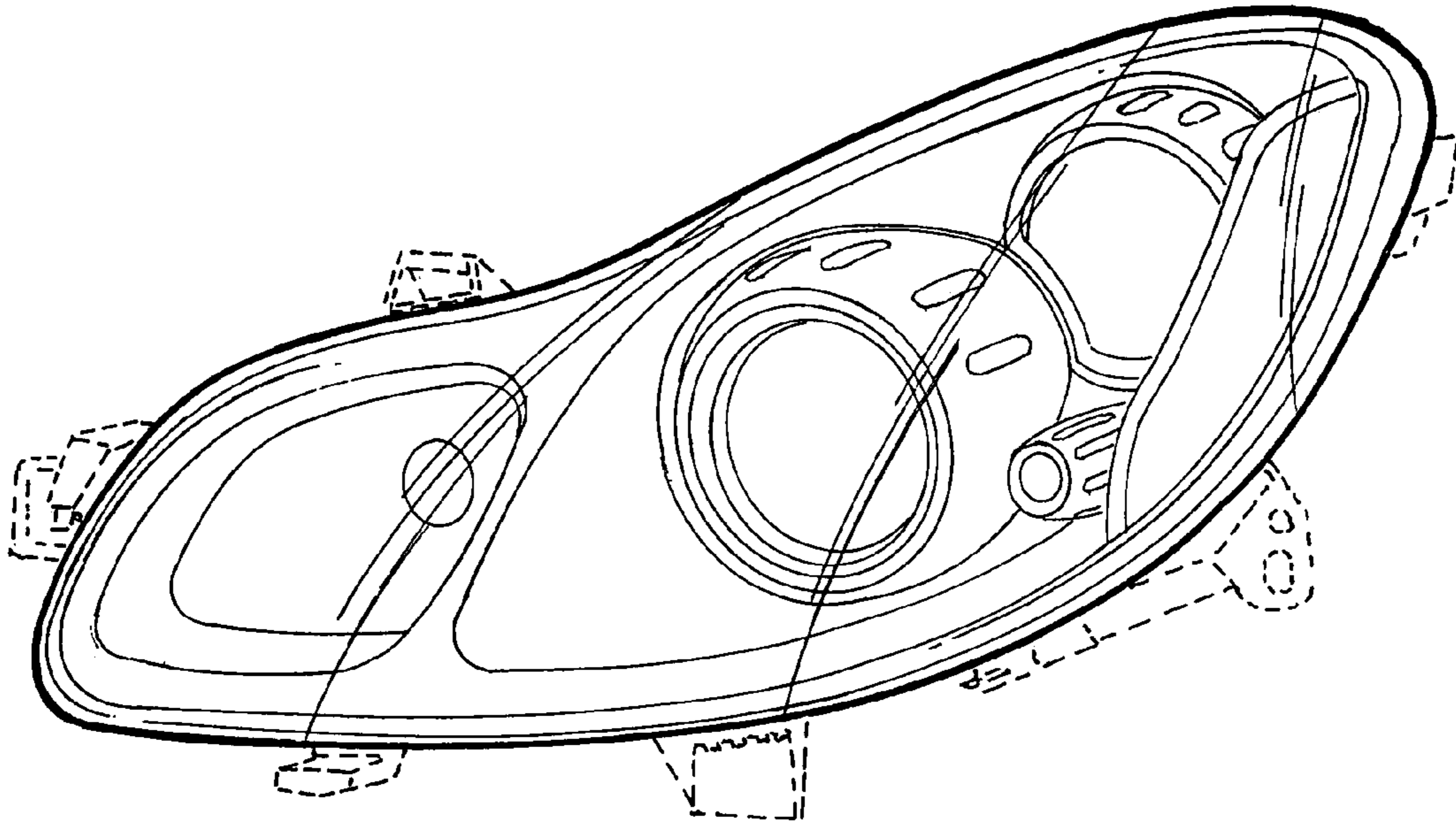


FIG. 1

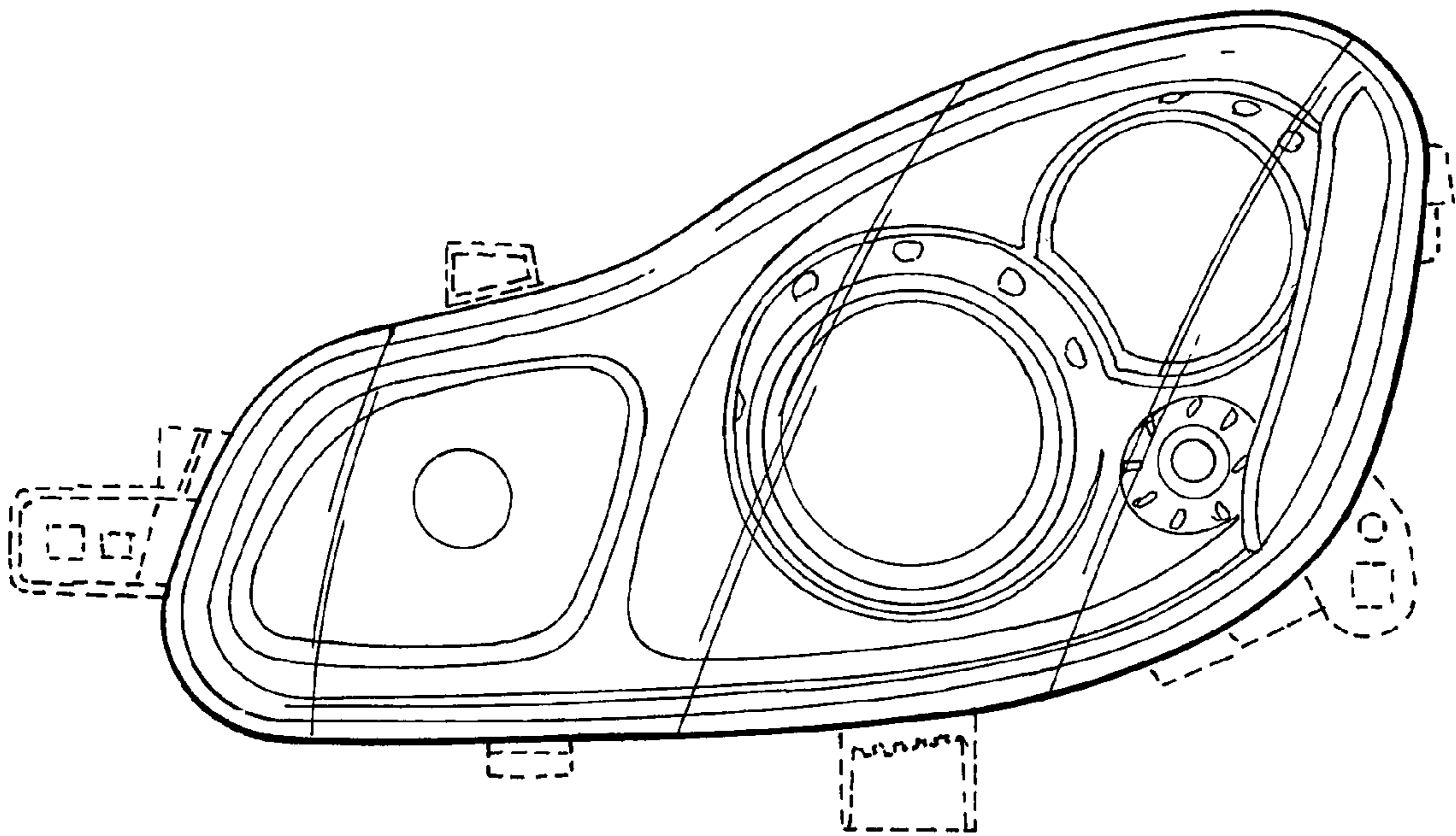


FIG. 2

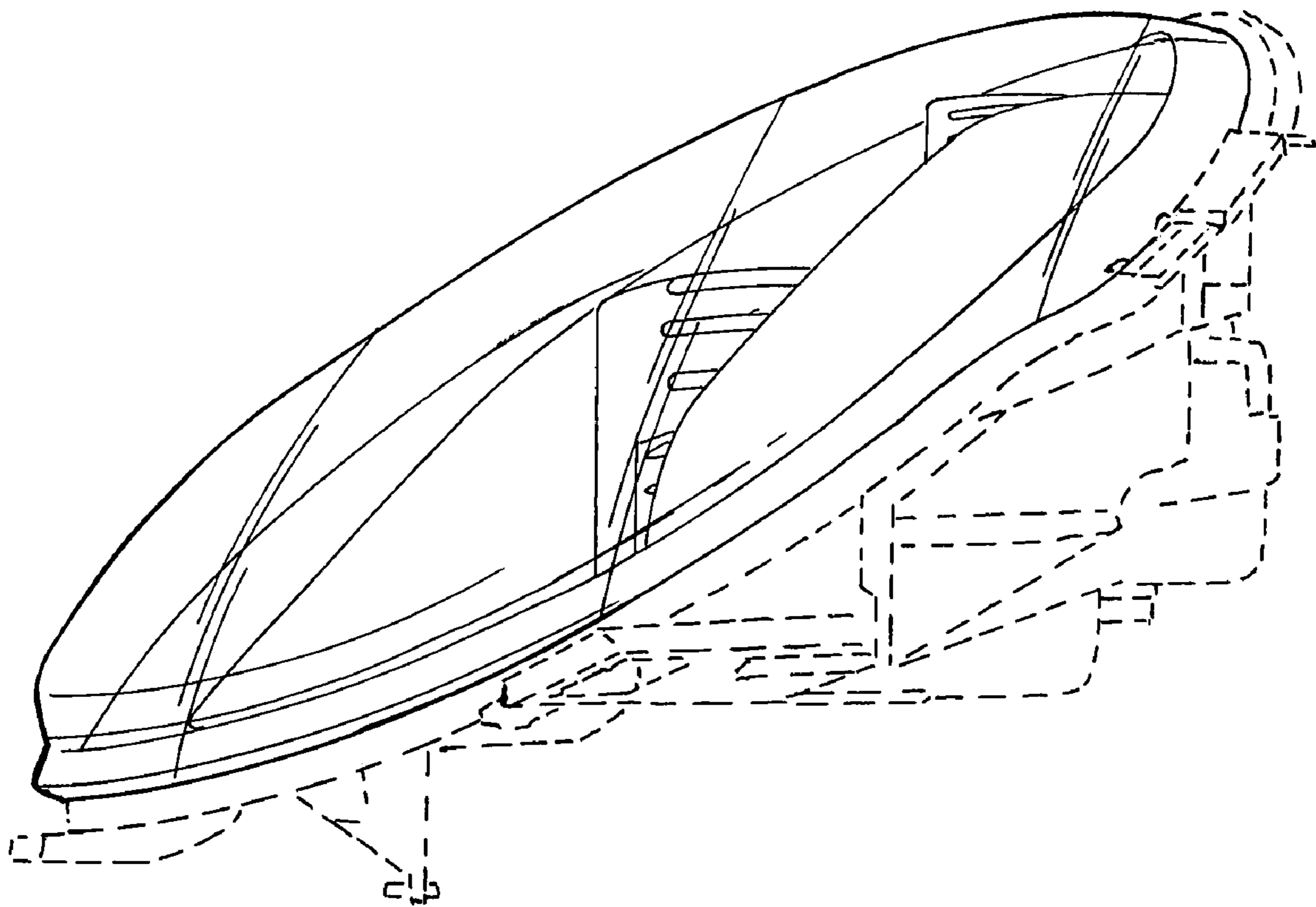


FIG. 3

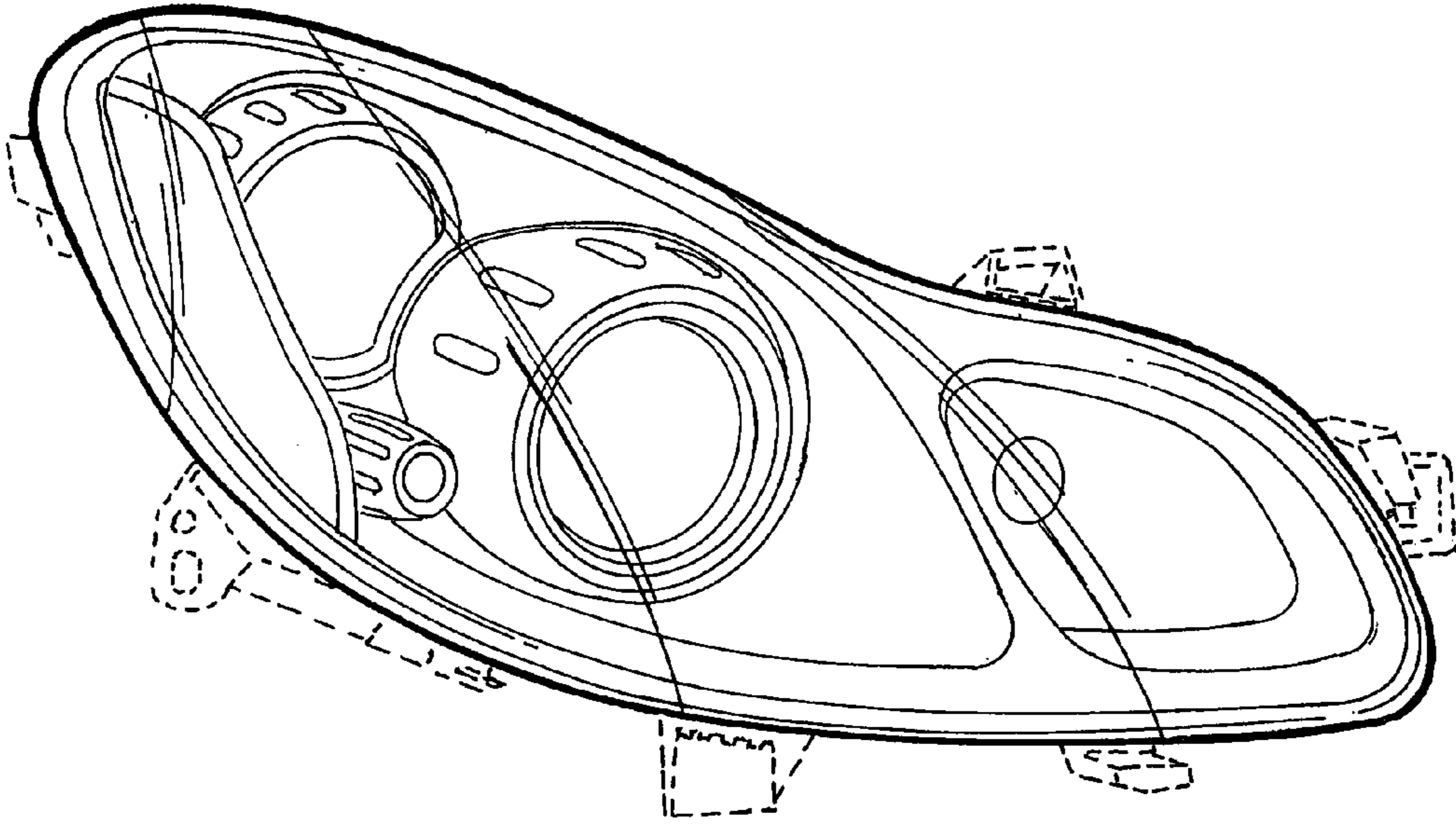


FIG. 4

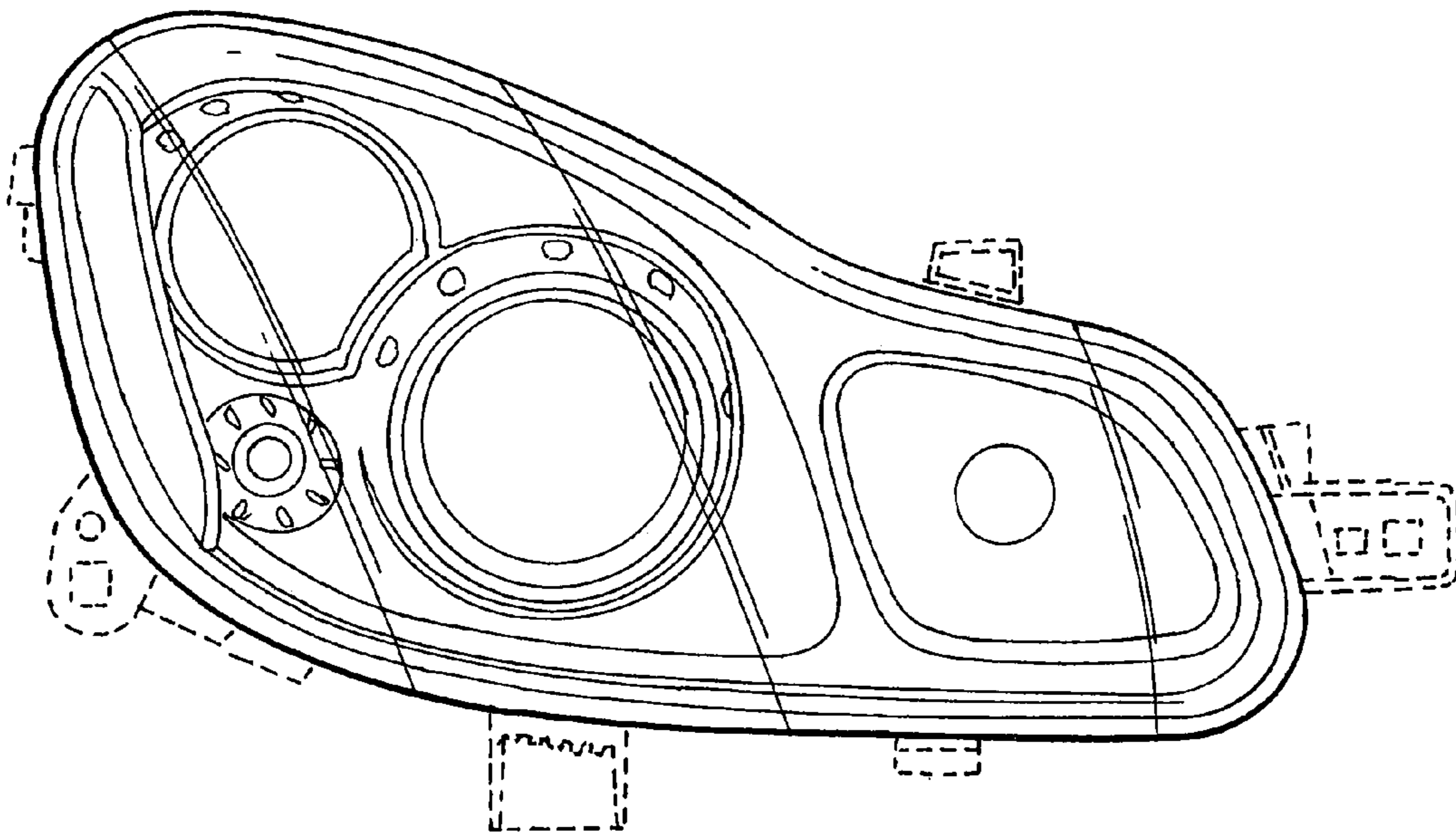


FIG. 5

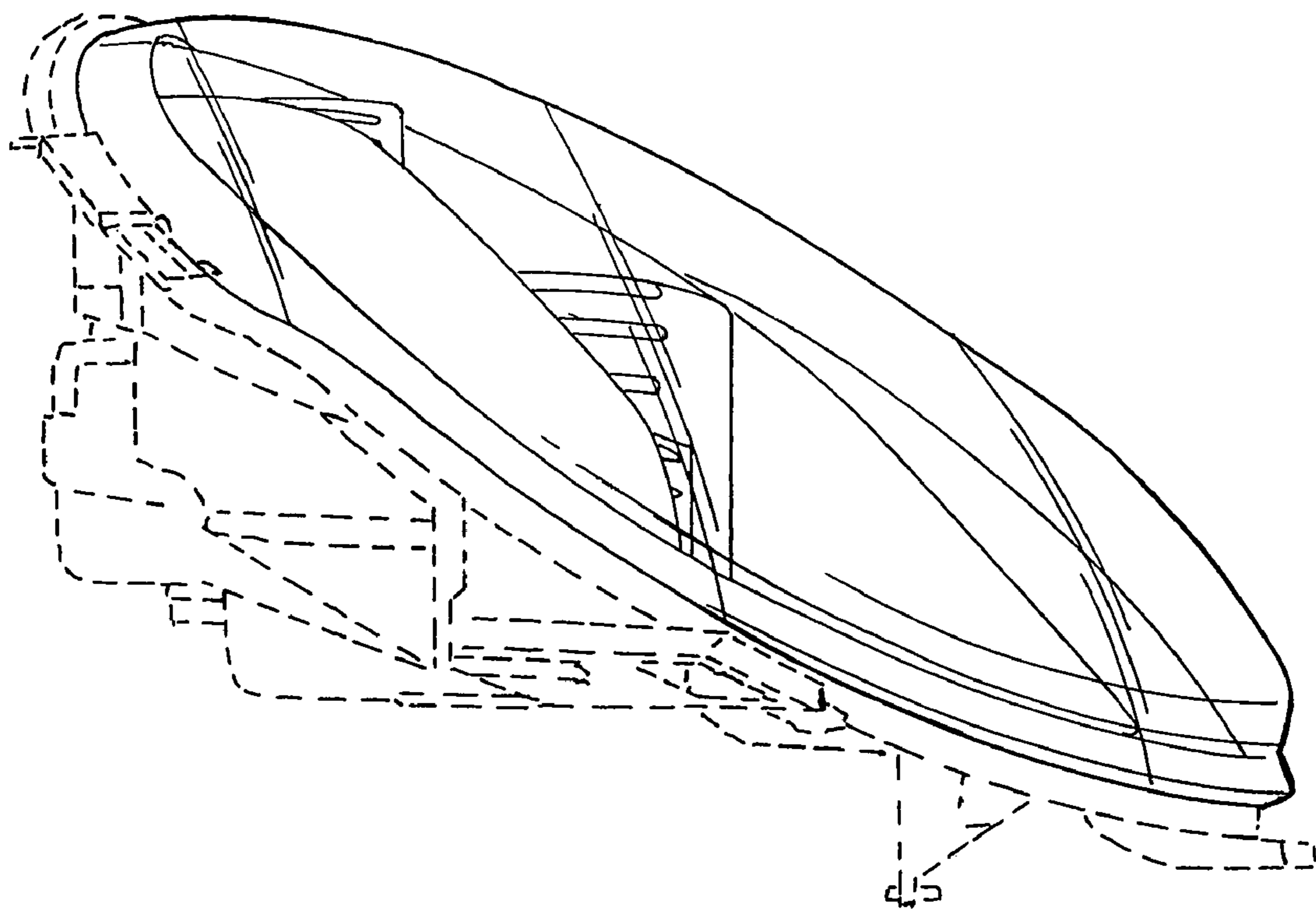


FIG. 6