

US00D567968S

(12) **United States Design Patent**
Liu et al.

(10) **Patent No.:** **US D567,968 S**
(45) **Date of Patent:** **** Apr. 29, 2008**

(54) **LED LAMP BAR**

(75) Inventors: **Hsin-Chun Liu**, Hsin-Tien (TW); **Yao-I Wang**, Hsin-Tien (TW); **Chih-Liang Su**, Hsin-Tien (TW); **Fang-Po Wang**, Hsin-Tien (TW)

(73) Assignee: **Ledtech Electronics Corp.**, Hsin Tien (TW)

(**) Term: **14 Years**

(21) Appl. No.: **29/277,147**

(22) Filed: **Feb. 15, 2007**

(51) **LOC (8) Cl.** **26-04**

(52) **U.S. Cl.** **D26/24; D26/1**

(58) **Field of Classification Search** D26/24, D26/1, 2, 37, 72, 74, 80, 81, 83, 93, 105, D26/113, 25; D13/180, 182; 362/612, 631, 362/555, 89, 147, 153, 257, 800; 257/79, 257/80, 82, 88, 433; 313/500

See application file for complete search history.

(56) **References Cited**

U.S. PATENT DOCUMENTS

7,030,422 B2 * 4/2006 Miyokawa et al. 257/98
D538,239 S * 3/2007 Ishida D13/180
D538,240 S * 3/2007 Inoue D13/180

D540,269 S * 4/2007 Inoue D13/180
D548,198 S * 8/2007 Ishida D13/180
D549,187 S * 8/2007 Park et al. D13/180
D549,188 S * 8/2007 Son D13/180
D551,367 S * 9/2007 Mok et al. D26/37
2002/0005522 A1 * 1/2002 Miyokawa et al. 257/79

* cited by examiner

Primary Examiner—Cathron Brooks
Assistant Examiner—Angela J Lee

(57) **CLAIM**

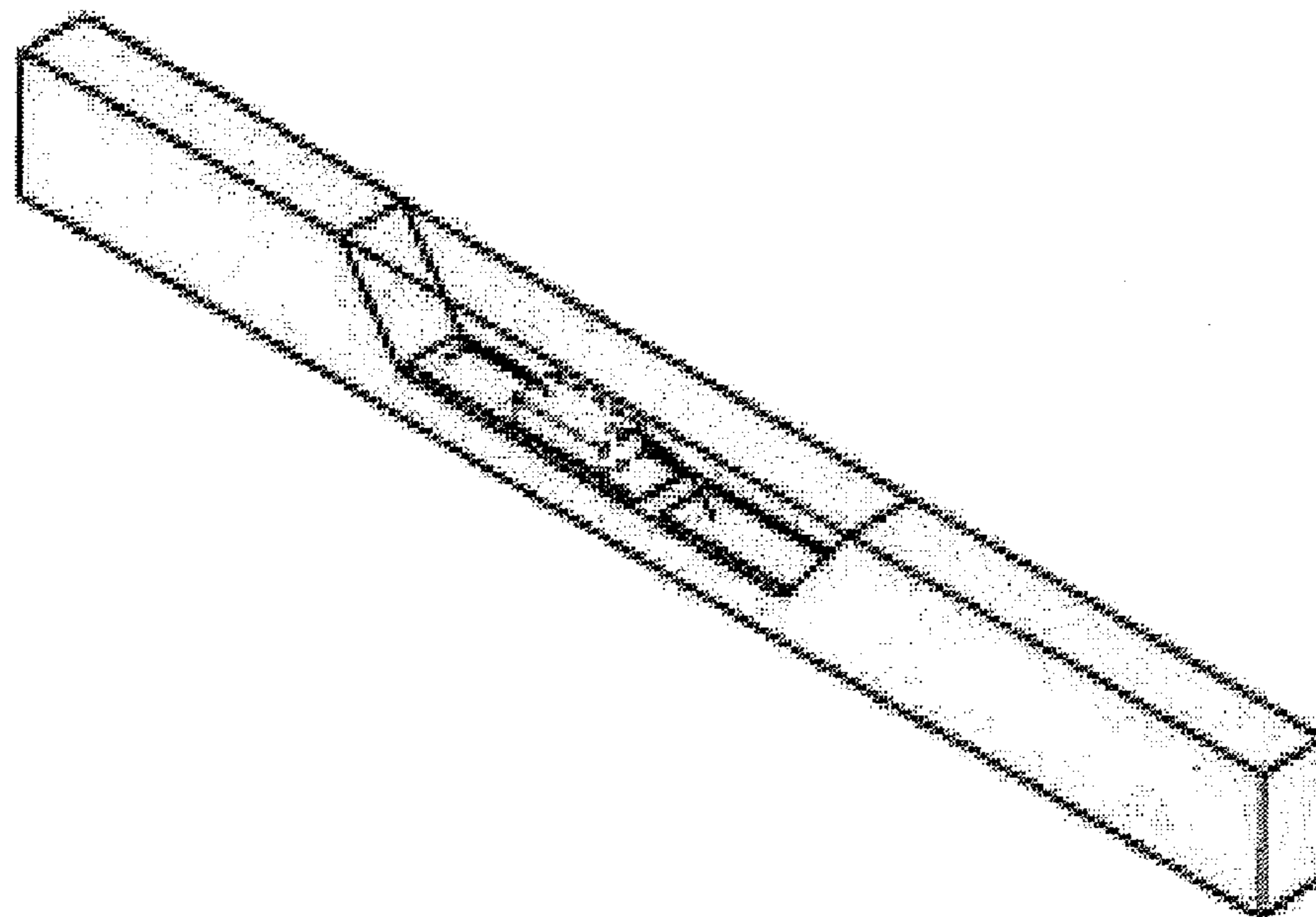
The ornamental design for a LED lamp bar, as shown and described.

DESCRIPTION

FIG. 1 is a perspective view of a LED lamp bar.
FIG. 2 is a top elevation view.
FIG. 3 is a left elevation view.
FIG. 4 is a front elevation view.
FIG. 5 is a right elevation view.
FIG. 6 is a rear elevation view; and,
FIG. 7 is a bottom elevation view.

The broken line showing of a portion of the LED lamp bar forms no part of the claimed design.

1 Claim, 2 Drawing Sheets



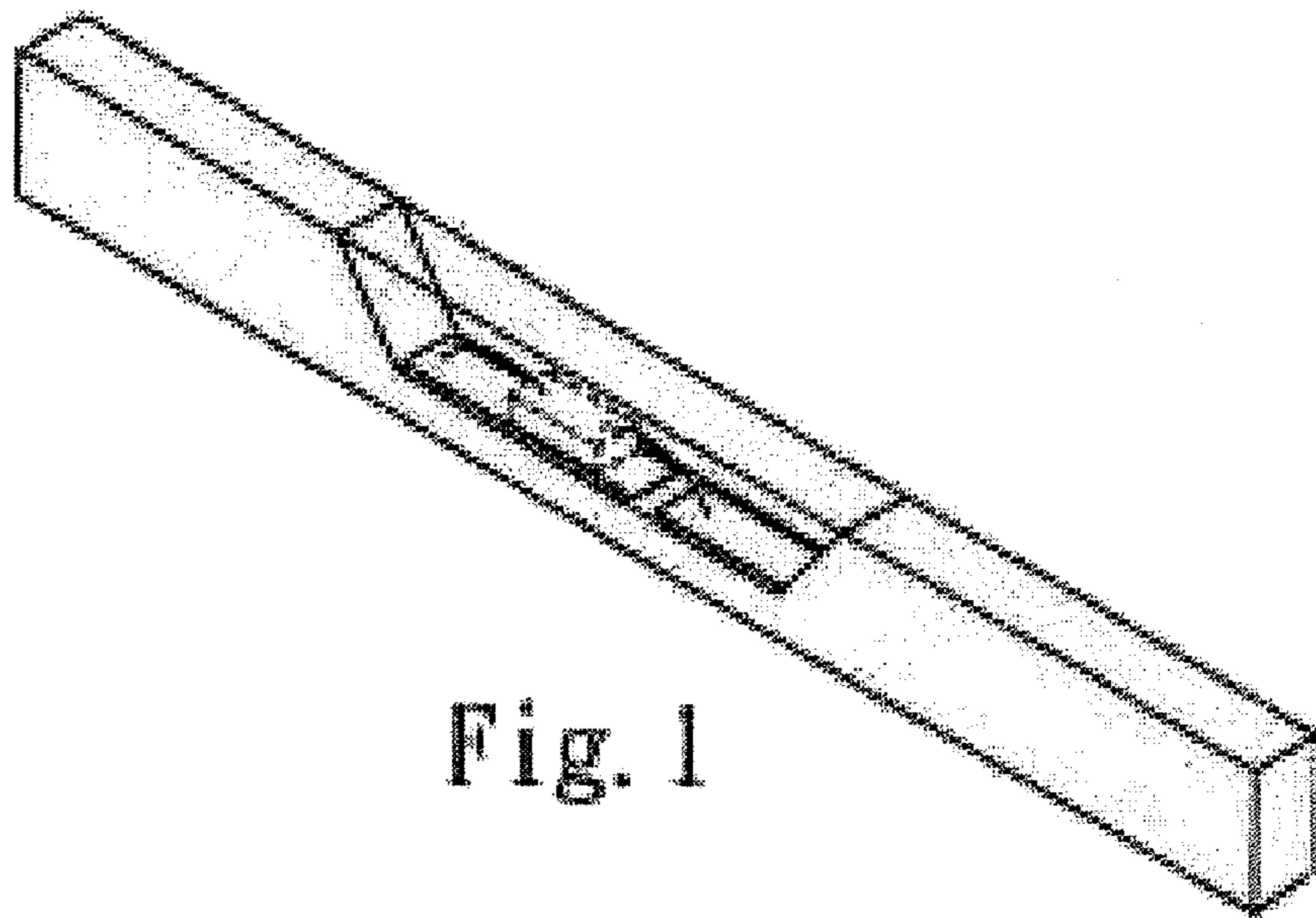


Fig. 1

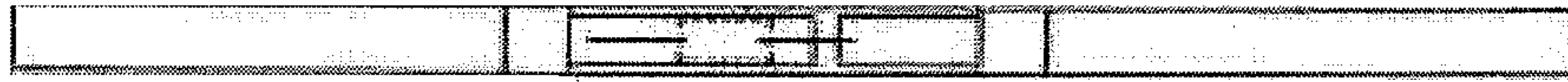


Fig. 2



Fig. 3

Fig. 4

Fig. 5



Fig. 6

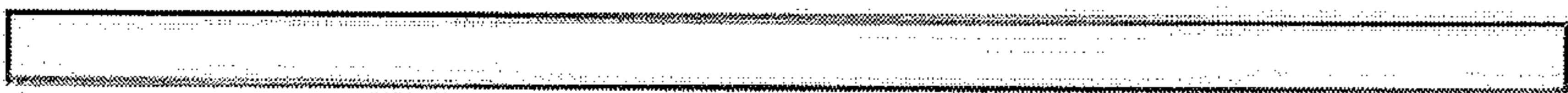


Fig. 7