



US00D567967S

(12) **United States Design Patent**
Orbán et al.

(10) **Patent No.:** **US D567,967 S**

(45) **Date of Patent:** **** Apr. 29, 2008**

(54) **ENERGY SAVING LAMP**

D532,124 S * 11/2006 Iwase et al. D26/3
D548,369 S * 8/2007 Bembridge D26/2

(75) Inventors: **János Orbán**, Veresegyház (HU);
Gábor Schmidt, Kecskéd (HU); **József Tökés**, Erdőkertes (HU)

* cited by examiner

Primary Examiner—Marcus A. Jackson

(73) Assignee: **General Electric Company**,
Schenectady, NY (US)

(74) *Attorney, Agent, or Firm*—Fay Sharpe LLP

(**) Term: **14 Years**

(57) **CLAIM**

(21) Appl. No.: **29/288,678**

We claim the ornamental design for an energy saving lamp,
as shown and described.

(22) Filed: **Jun. 19, 2007**

DESCRIPTION

(51) **LOC (8) Cl.** **26-04**

FIG. 1 is a front view of an energy saving lamp of the present invention;

(52) **U.S. Cl.** **D26/2**

FIG. 2 is a rear view thereof;

(58) **Field of Classification Search** D26/1-4;
313/313, 315, 317, 318, 493; 315/52, 53,
315/56, 57, 58

FIG. 3 is a first side view thereof;

FIG. 4 is a second side view thereof;

See application file for complete search history.

FIG. 5 is a top view thereof; and,

FIG. 6 is a bottom view thereof.

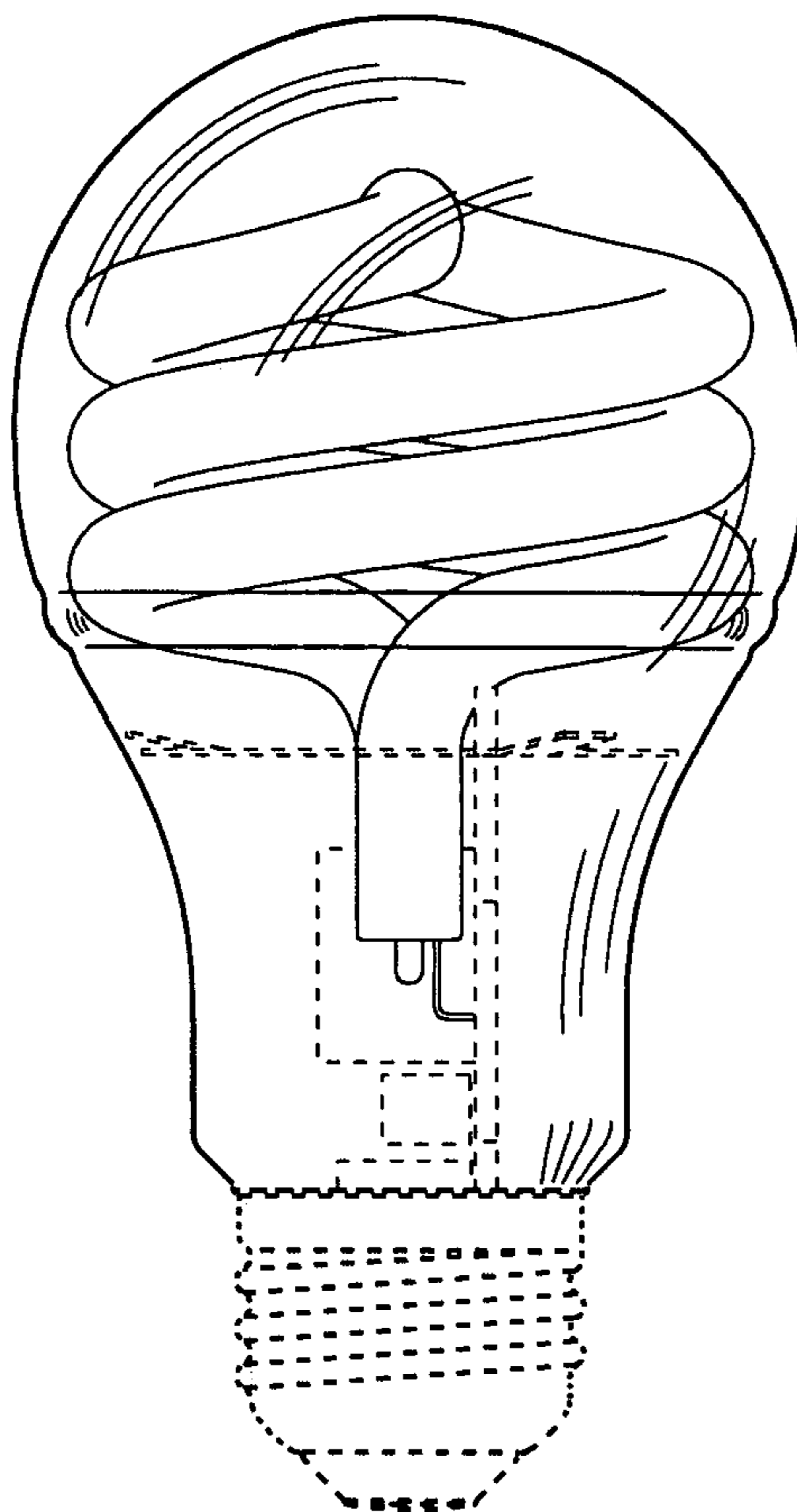
(56) **References Cited**

The broken line disclosure of the lamp base and some parts within the outer envelope is for illustrative purposes only and forms no part of the claimed design.

U.S. PATENT DOCUMENTS

6,064,155 A 5/2000 Maya et al.
D480,162 S * 9/2003 Kakuno et al. D26/3
D485,377 S * 1/2004 Vakil D26/2
D504,732 S * 5/2005 Yang D26/2

1 Claim, 3 Drawing Sheets



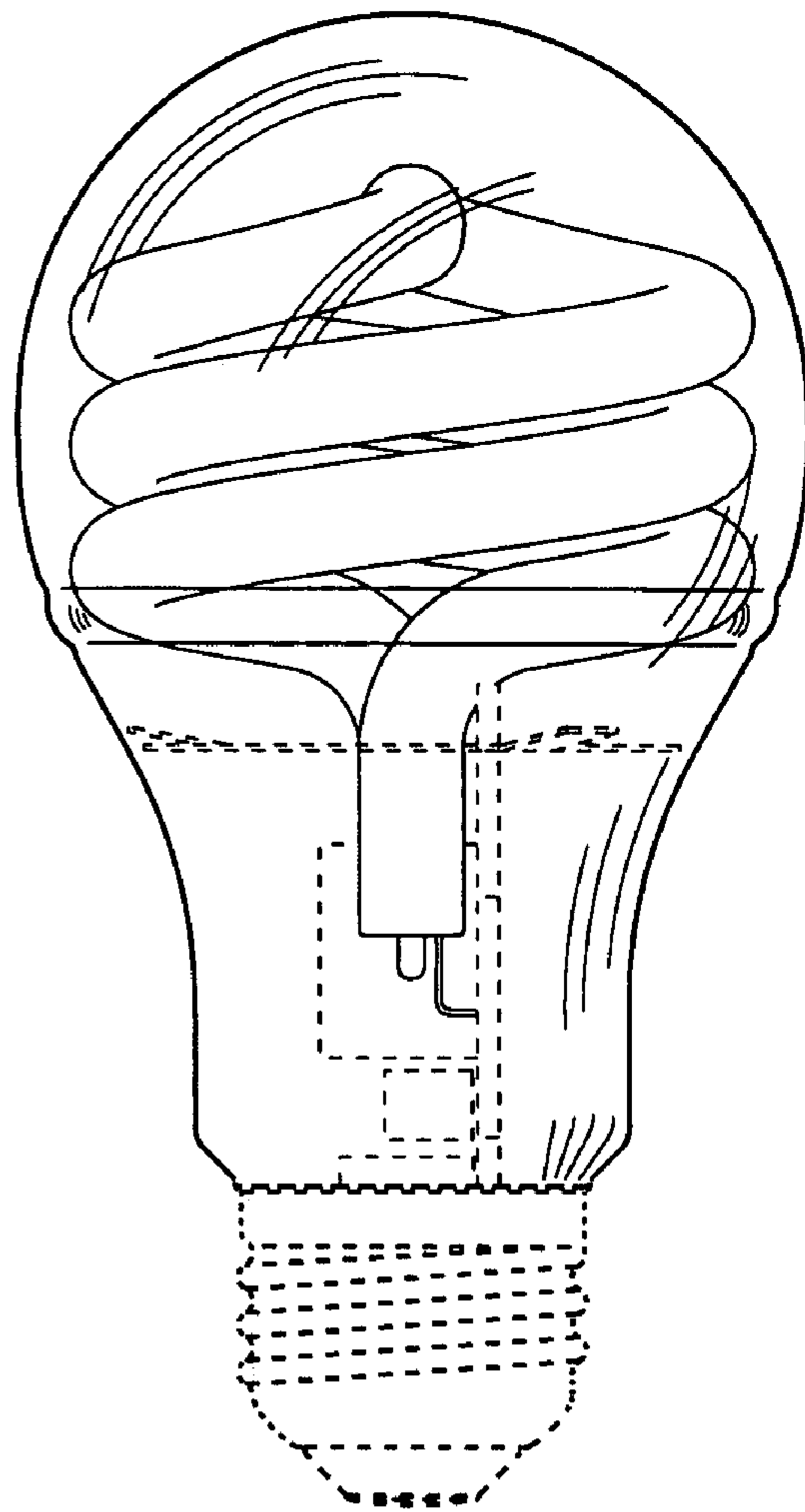


Fig. 1

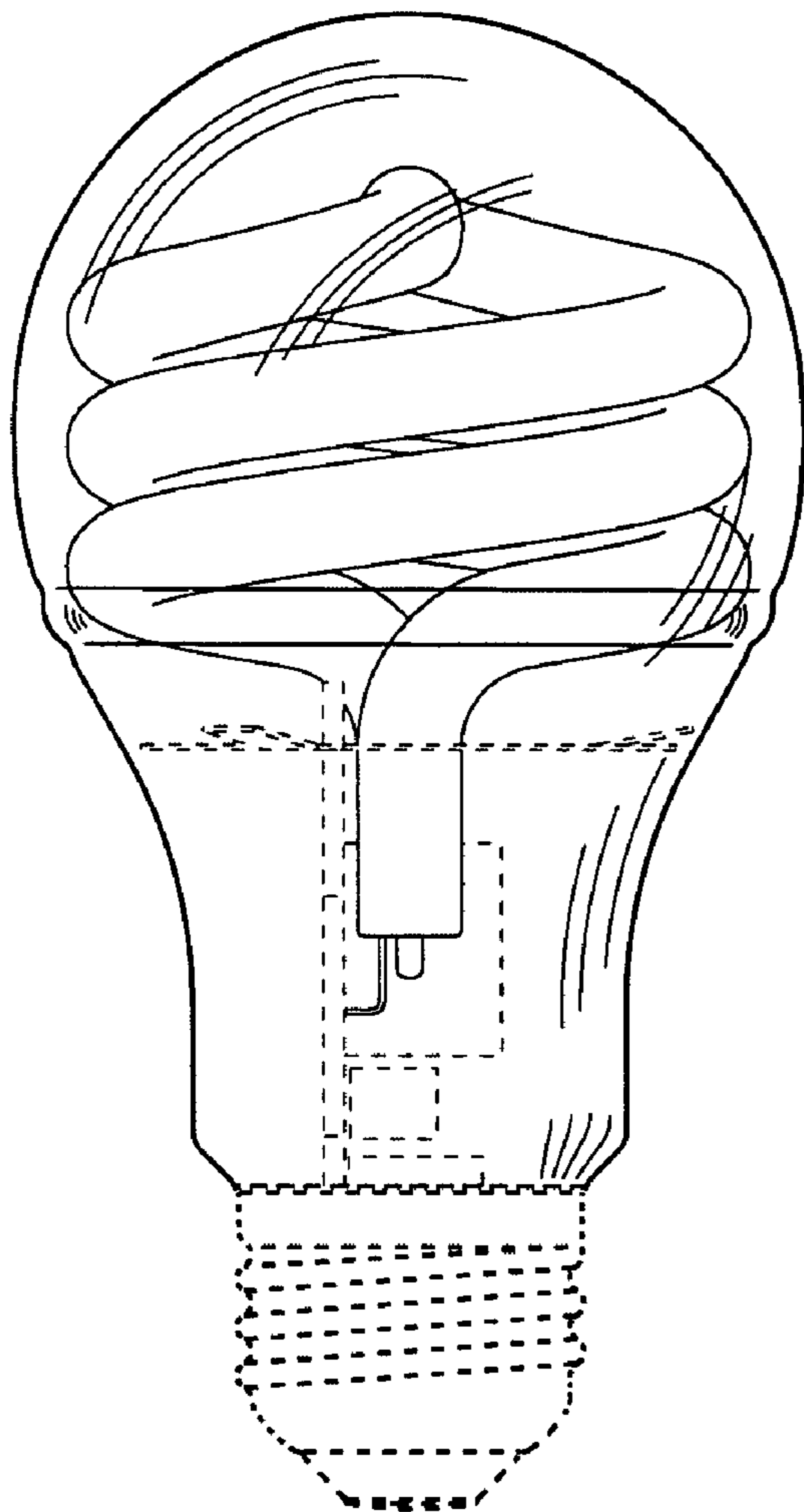


Fig. 2

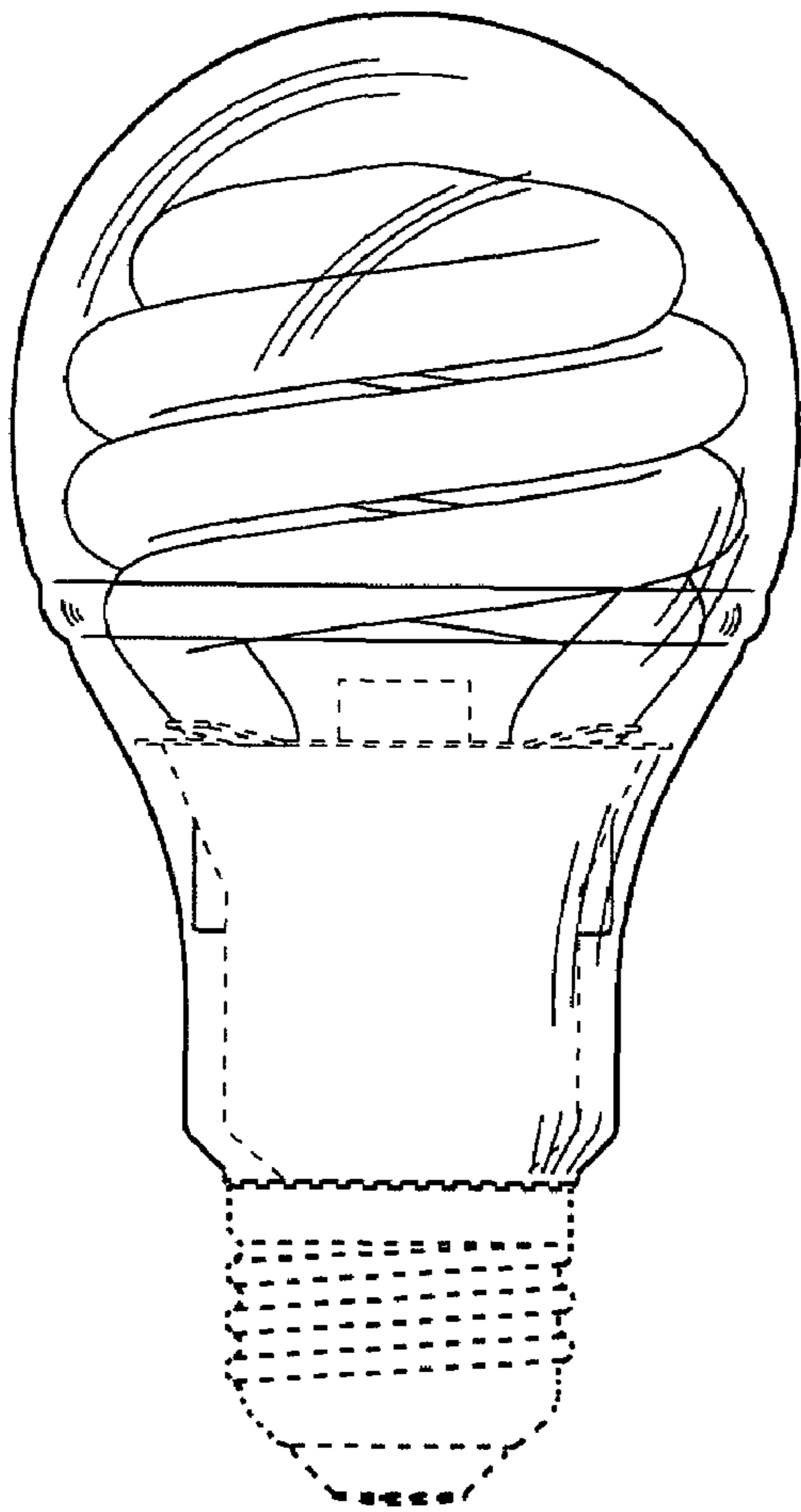


Fig. 4

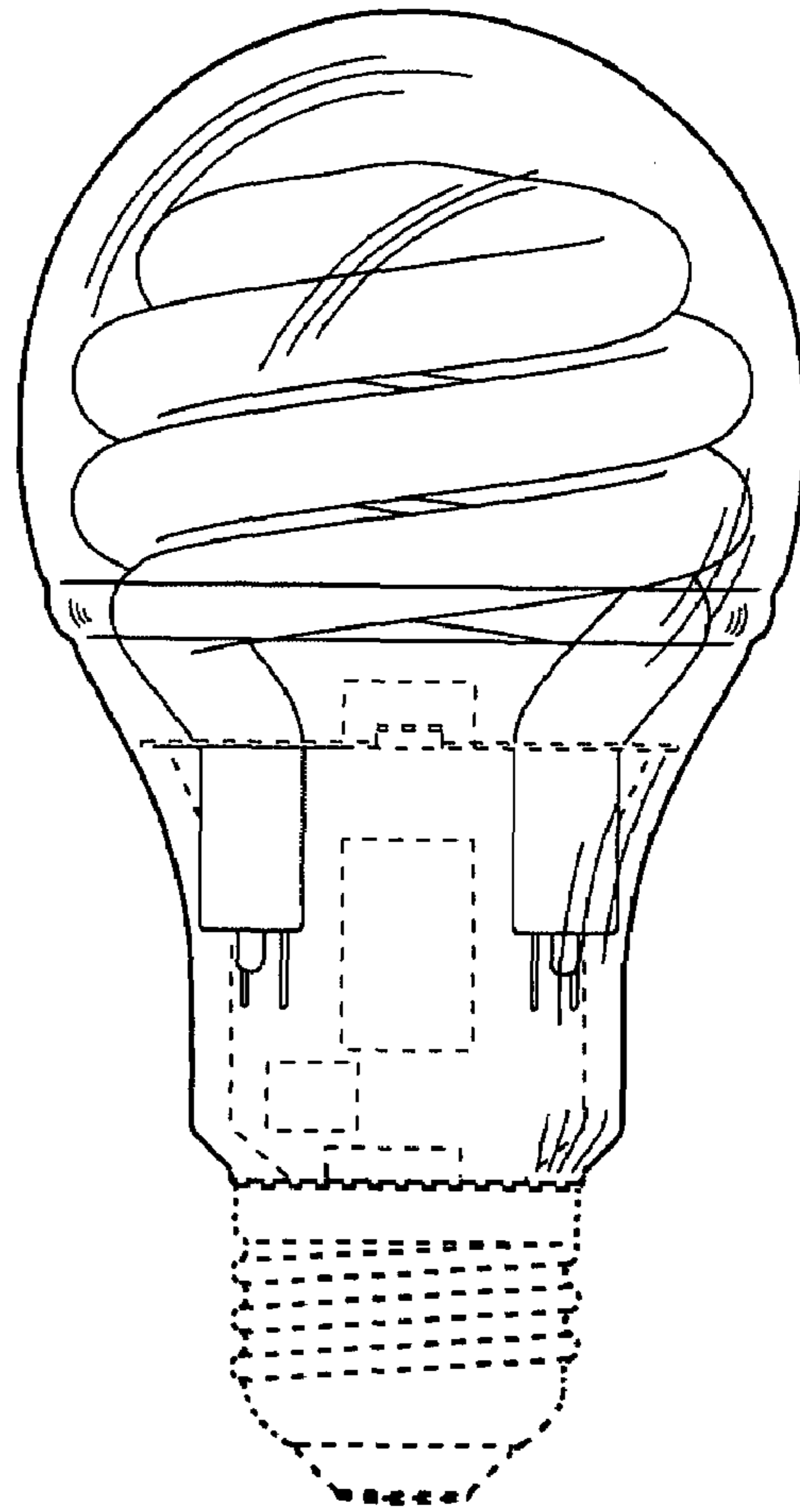


Fig. 3

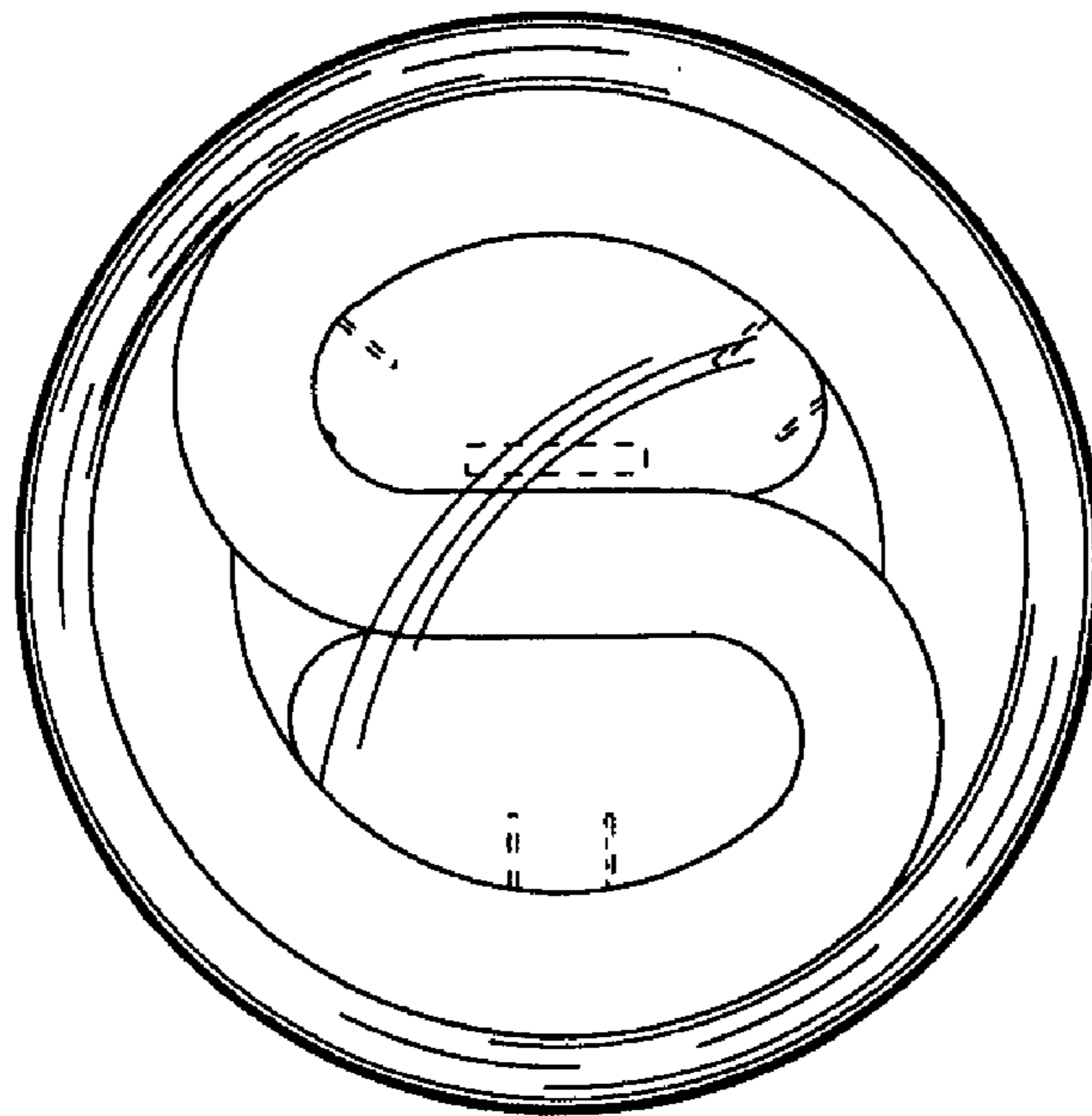


Fig. 5

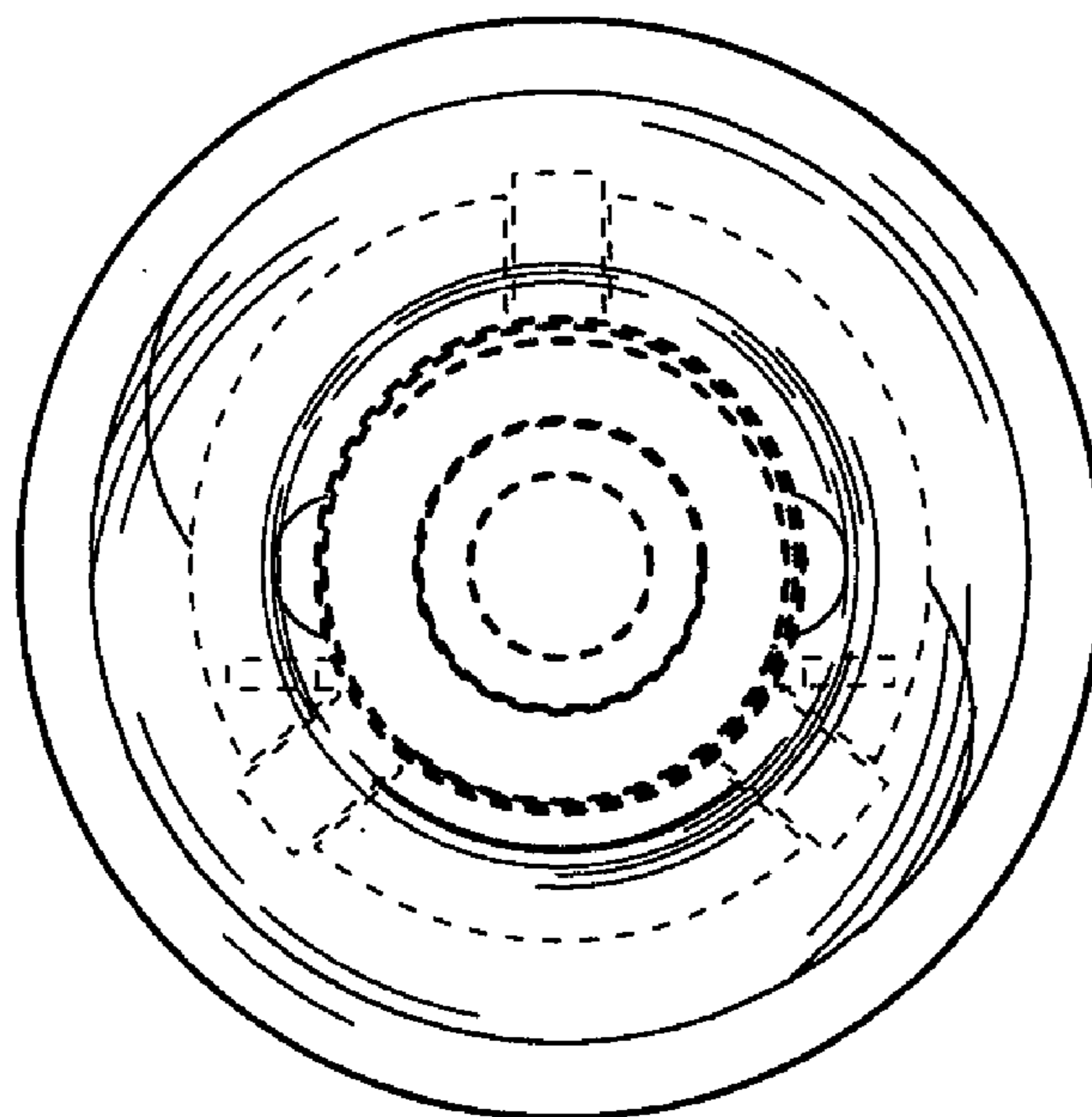


Fig. 6