



US00D567963S

(12) **United States Design Patent**
Cutler

(10) **Patent No.:** **US D567,963 S**

(45) **Date of Patent:** **** Apr. 29, 2008**

(54) **CANOPY SYSTEM**

(76) Inventor: **Daniel Cutler**, 10c Chemin des Bois,
Veyrier, Geneva (CH) 1255

(**) Term: **14 Years**

(21) Appl. No.: **29/270,563**

(22) Filed: **Dec. 28, 2006**

(30) **Foreign Application Priority Data**

Jun. 28, 2006 (EM) 000556063

(51) **LOC (8) Cl.** **25-02**

(52) **U.S. Cl.** **D25/56**

(58) **Field of Classification Search** D25/56;
160/22, 23.1, 24, 25, 26, 27, 28, 29, 38; 52/2.19,
52/73

See application file for complete search history.

(56) **References Cited**

U.S. PATENT DOCUMENTS

3,918,510 A * 11/1975 Hayward 160/45
4,733,683 A * 3/1988 Pozzi 160/22

4,862,940 A * 9/1989 Atchison 160/67
D412,993 S * 8/1999 Chipman et al. D25/56
6,315,025 B1 * 11/2001 Mabie 160/22
6,363,664 B1 * 4/2002 Brutsaert 52/74

* cited by examiner

Primary Examiner—Doris Clark

(74) *Attorney, Agent, or Firm*—Bacon & Thomas, PLLC

(57) **CLAIM**

The ornamental design for a canopy system, as shown and described.

DESCRIPTION

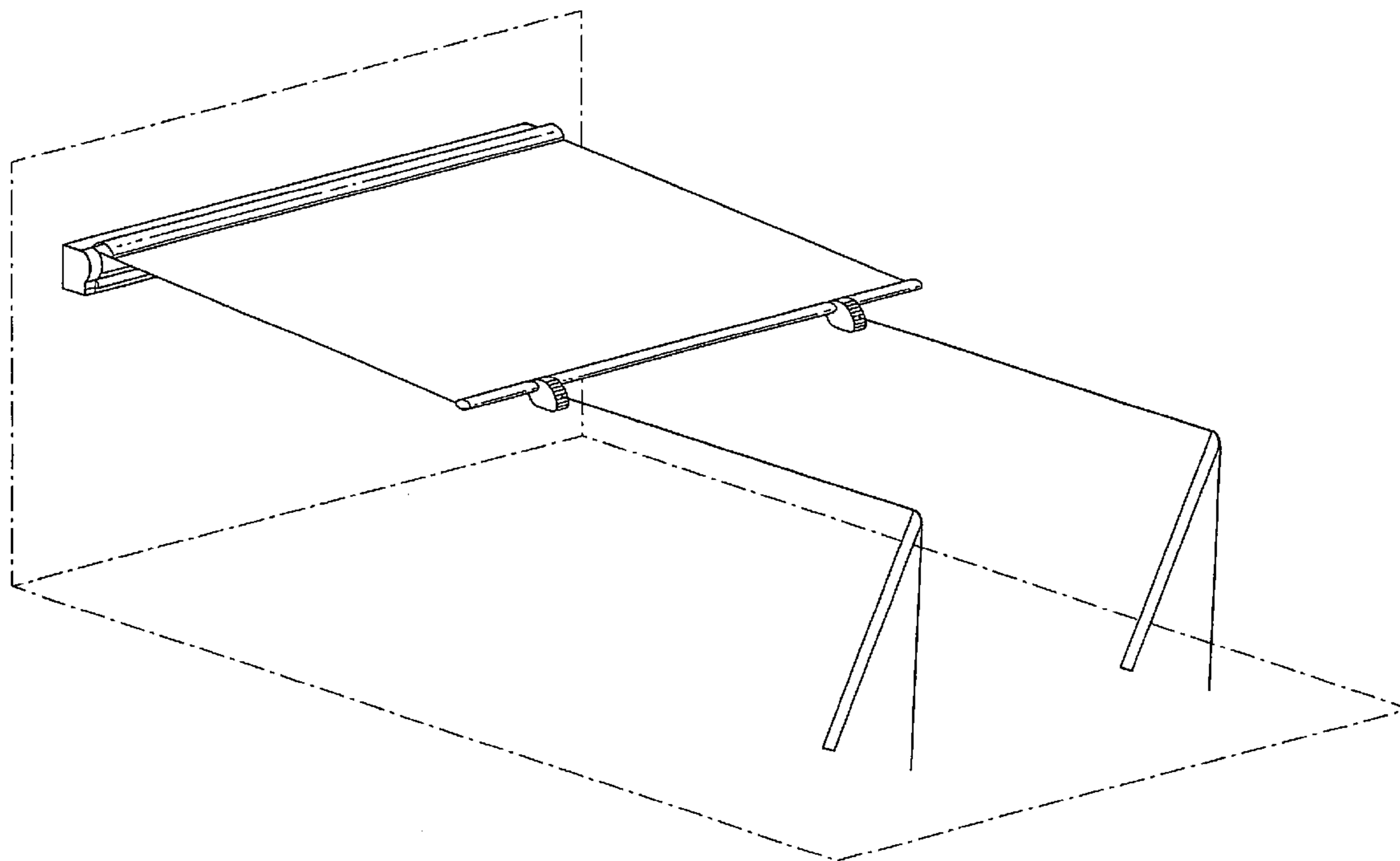
FIG. 1 is an upper right perspective view of the canopy system in a retracted state;

FIG. 2 shows the canopy system of FIG. 1 in a semi-deployed state; and,

FIG. 3 shows the canopy system of FIG. 1 in a fully-deployed state.

The broken lines are for illustrative purposes only and form no part of the claimed design.

1 Claim, 3 Drawing Sheets



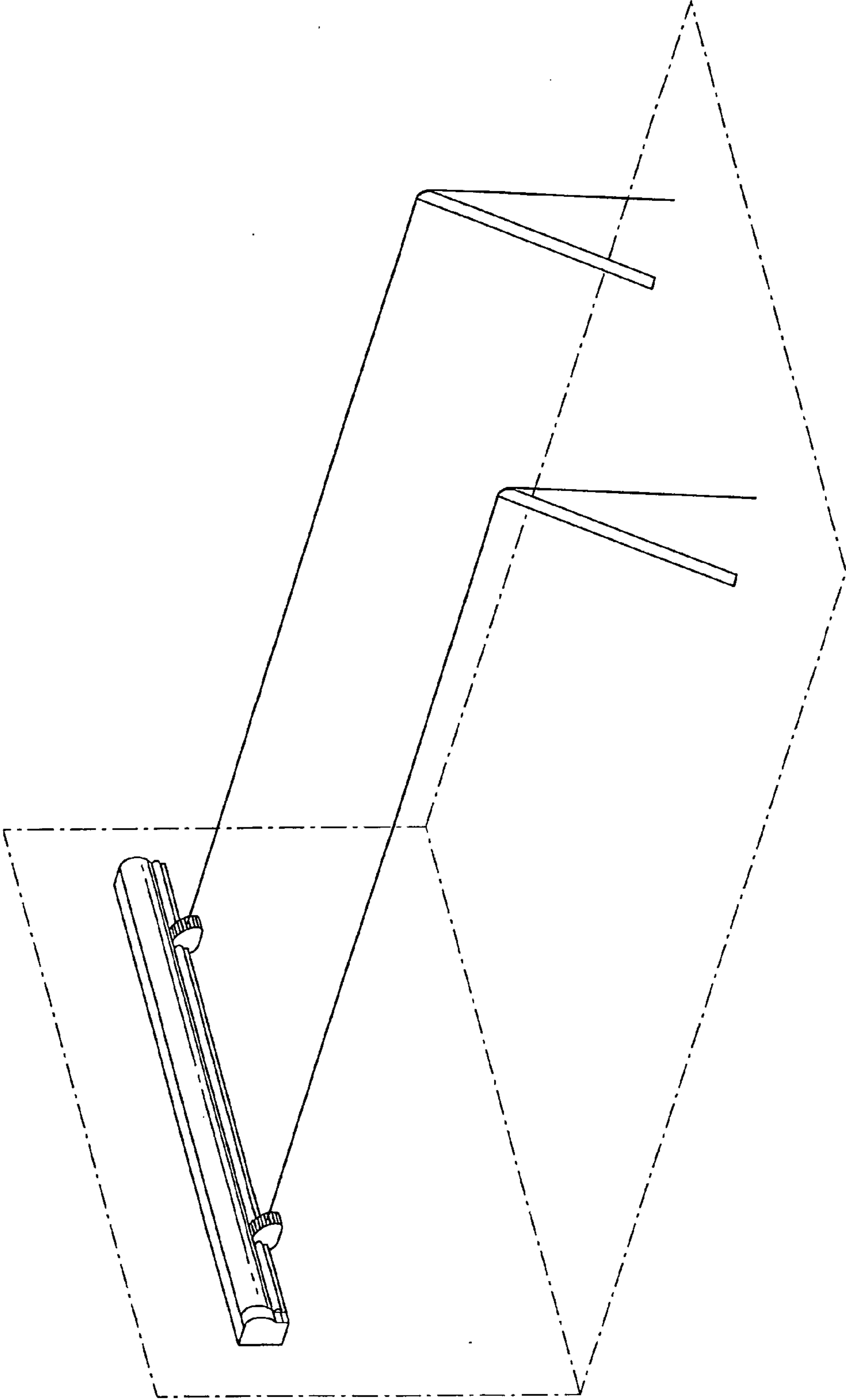


Fig. 1

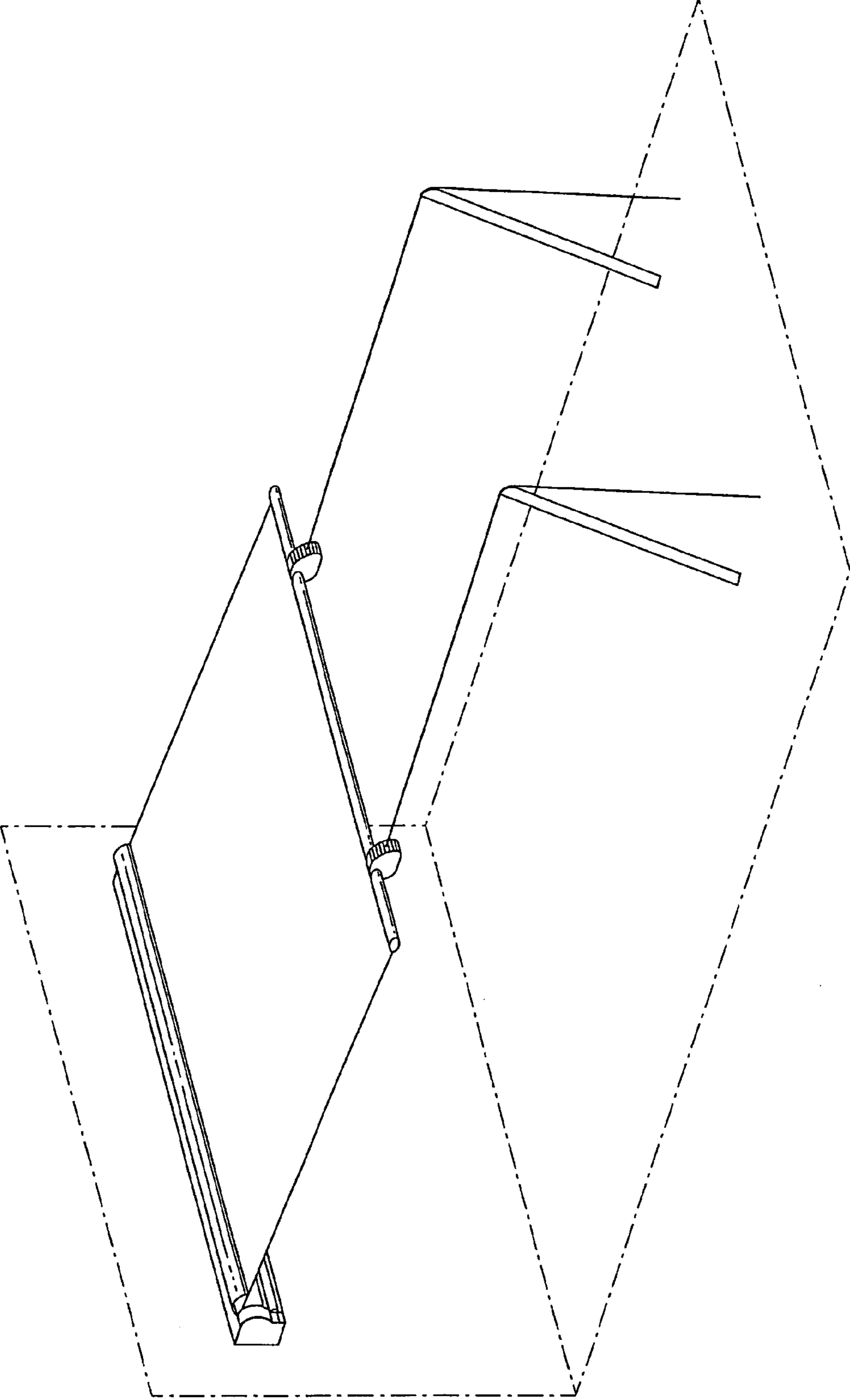


Fig. 2

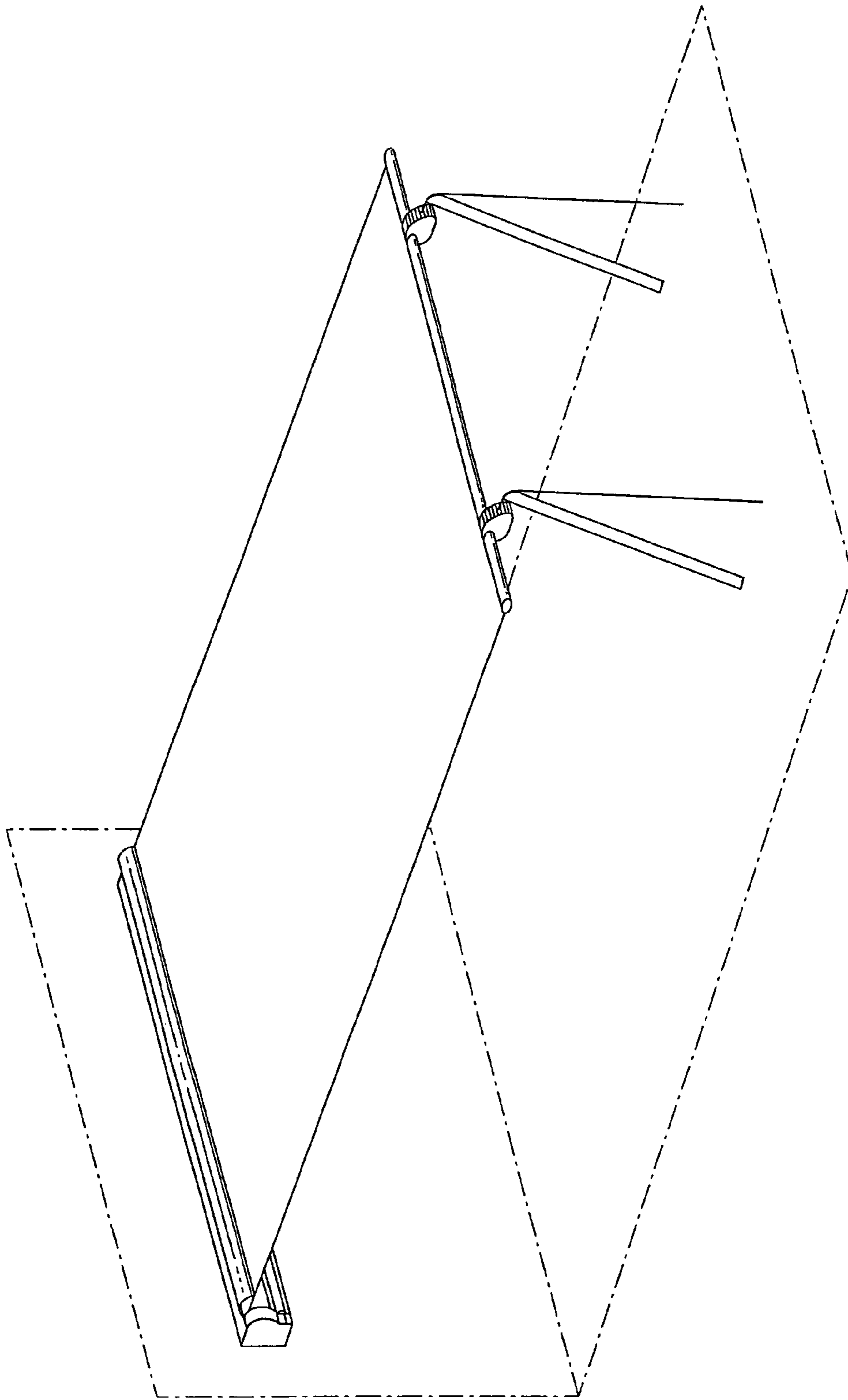


Fig. 3