



US00D567957S

(12) **United States Design Patent**
Critchley

(10) **Patent No.:** **US D567,957 S**

(45) **Date of Patent:** **** Apr. 29, 2008**

(54) **VIBRATOR UNIT**

(75) Inventor: **Mark Critchley**, Manchester (GB)

(73) Assignee: **LRC Products Limited**, London (GB)

(**) Term: **14 Years**

(21) Appl. No.: **29/287,006**

(22) Filed: **Jun. 18, 2007**

(30) **Foreign Application Priority Data**

Jan. 5, 2007 (EM) 000649116-0001

(51) **LOC (8) Cl.** **24-02**

(52) **U.S. Cl.** **D24/215; D24/105**

(58) **Field of Classification Search** D24/105,
D24/143, 215; 128/842, 844, 918; 601/69,
601/70, 79; 600/38, 39

See application file for complete search history.

(56) **References Cited**

U.S. PATENT DOCUMENTS

D463,751 S * 10/2002 Wilkinson D24/215
D496,458 S * 9/2004 Lin D24/143
6,790,189 B2 * 9/2004 Kobayashi et al. 601/70
6,907,883 B2 * 6/2005 Lin 128/844

D523,958 S * 6/2006 Fang D24/143
2005/0155609 A1 * 7/2005 Lin 128/844
2005/0283044 A1 * 12/2005 Chang 600/38
2007/0038019 A1 * 2/2007 Weng 600/38

* cited by examiner

Primary Examiner—Charles A. Rademaker

Assistant Examiner—Melanie Levy

(74) *Attorney, Agent, or Firm*—Dykema Gossett PLLC

(57) **CLAIM**

The ornamental design for a vibrator unit, as shown and described.

DESCRIPTION

FIG. 1 is a top perspective view of a vibrator unit showing my new design,

FIG. 2 is a front side elevational view thereof,

FIG. 3 is a second, opposite side elevational view thereof,

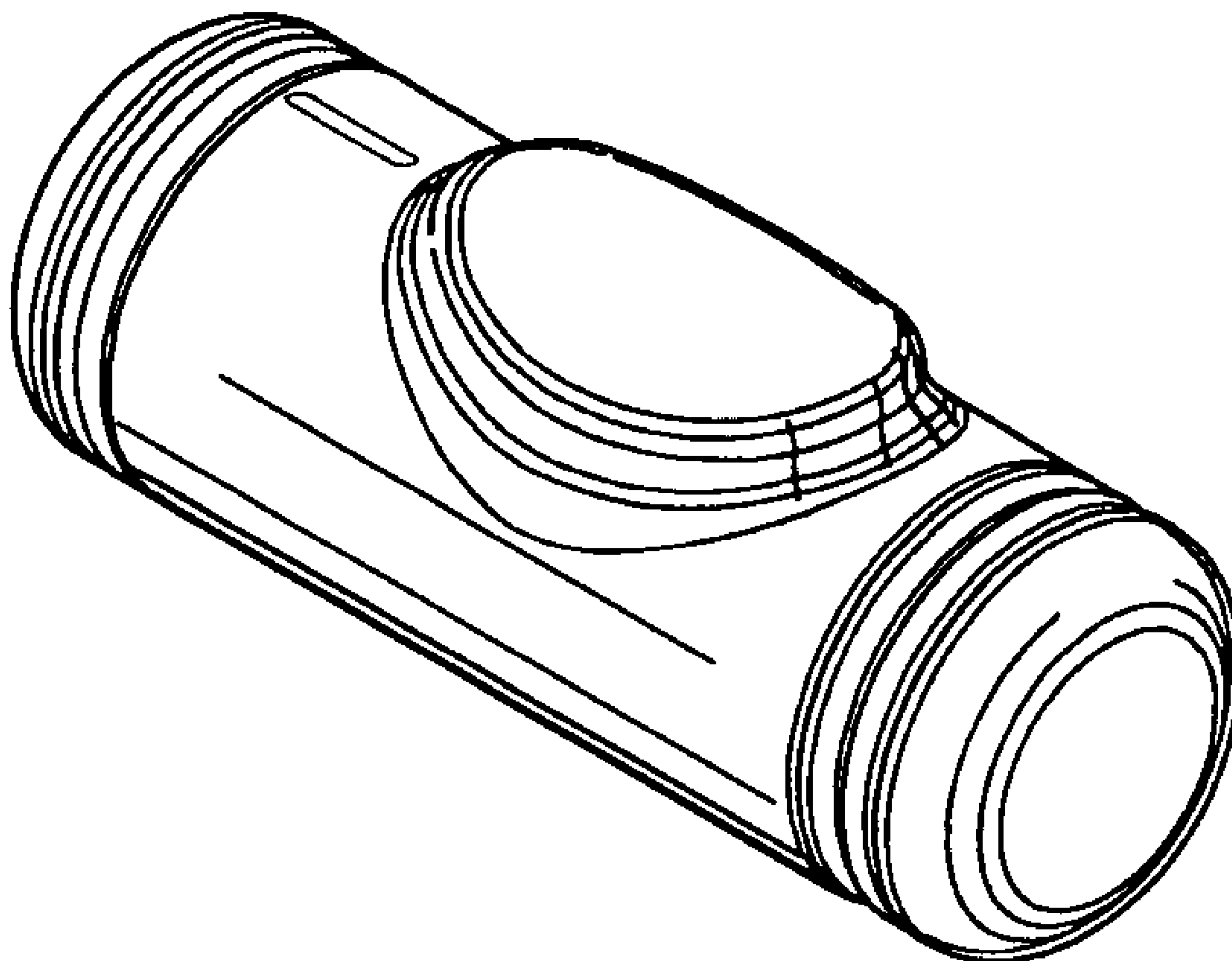
FIG. 4 is a top plan view thereof,

FIG. 5 is a bottom plan view thereof,

FIG. 6 is a first end view thereof; and,

FIG. 7 is a second, opposite end view thereof.

1 Claim, 2 Drawing Sheets



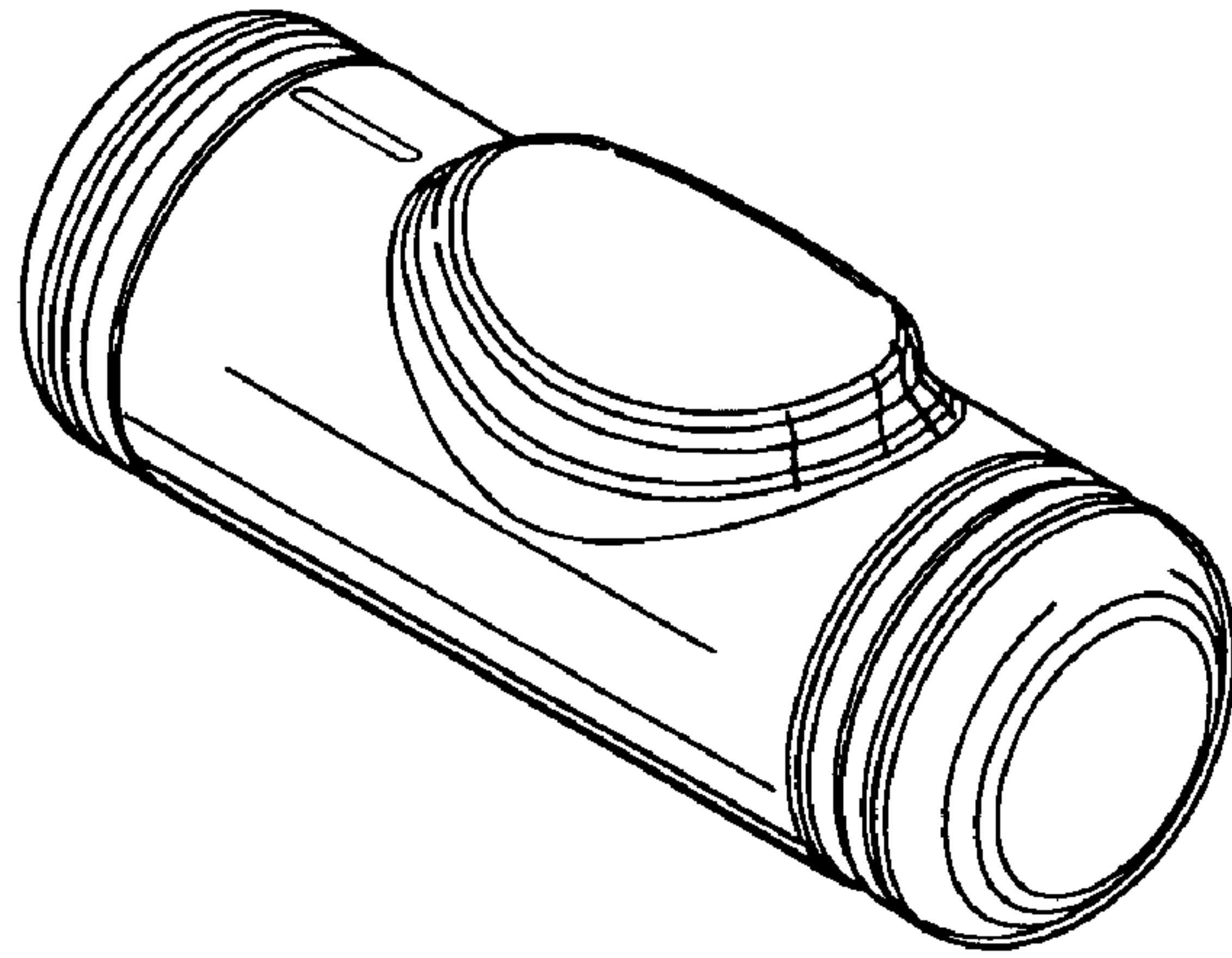


FIG. 1

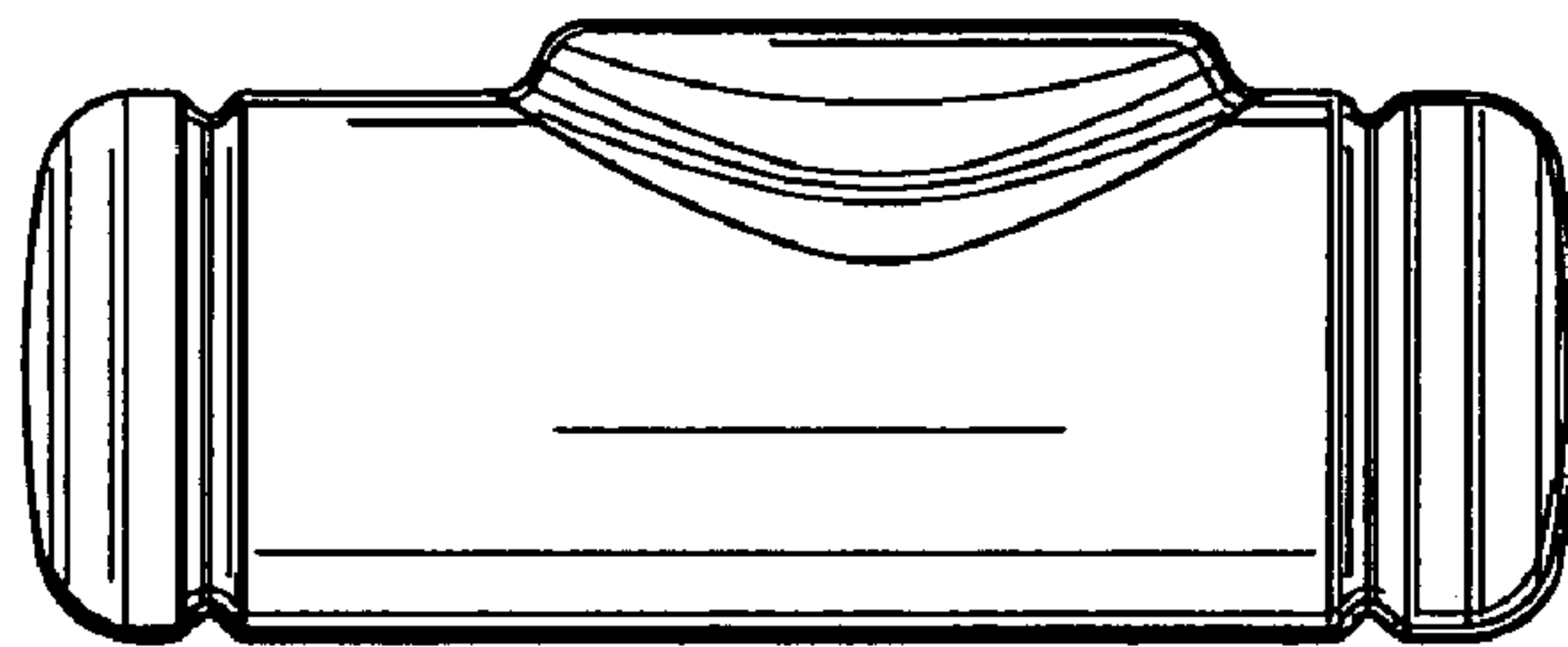


FIG. 2

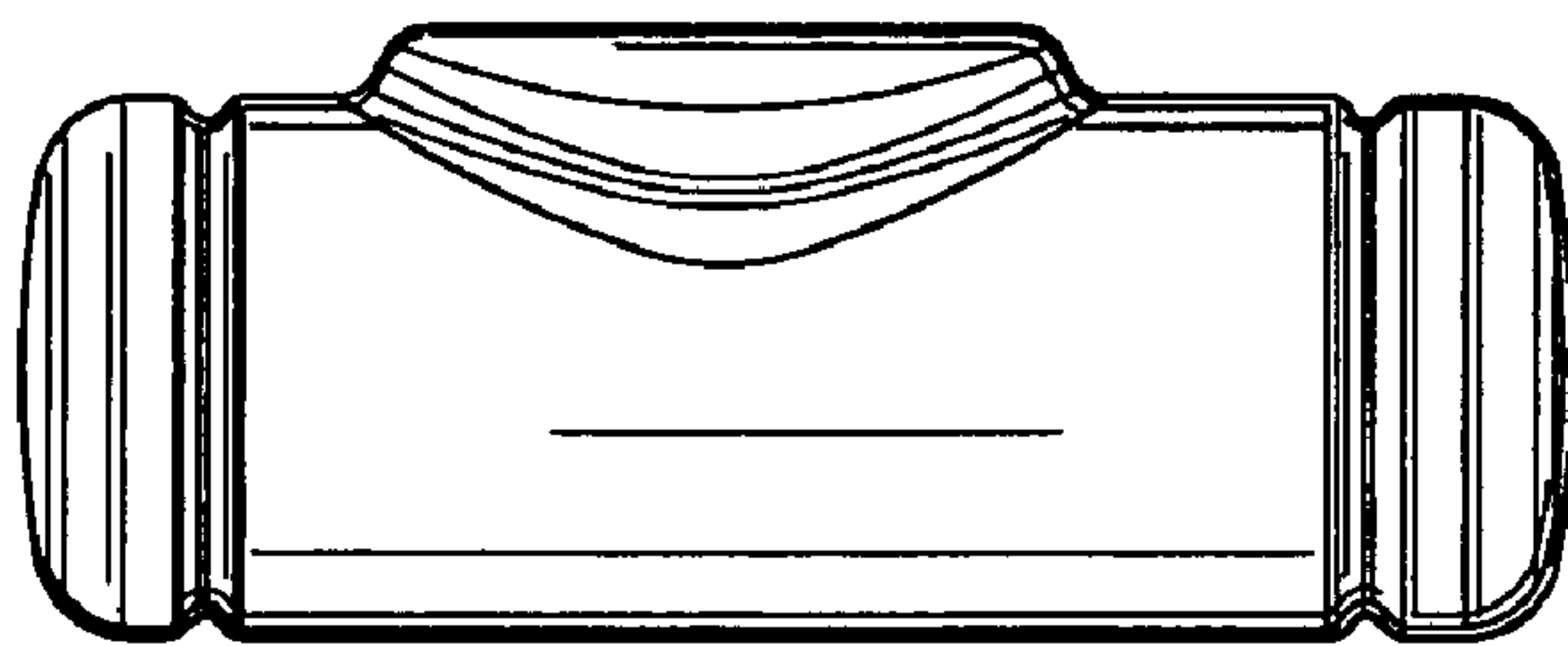


FIG. 3

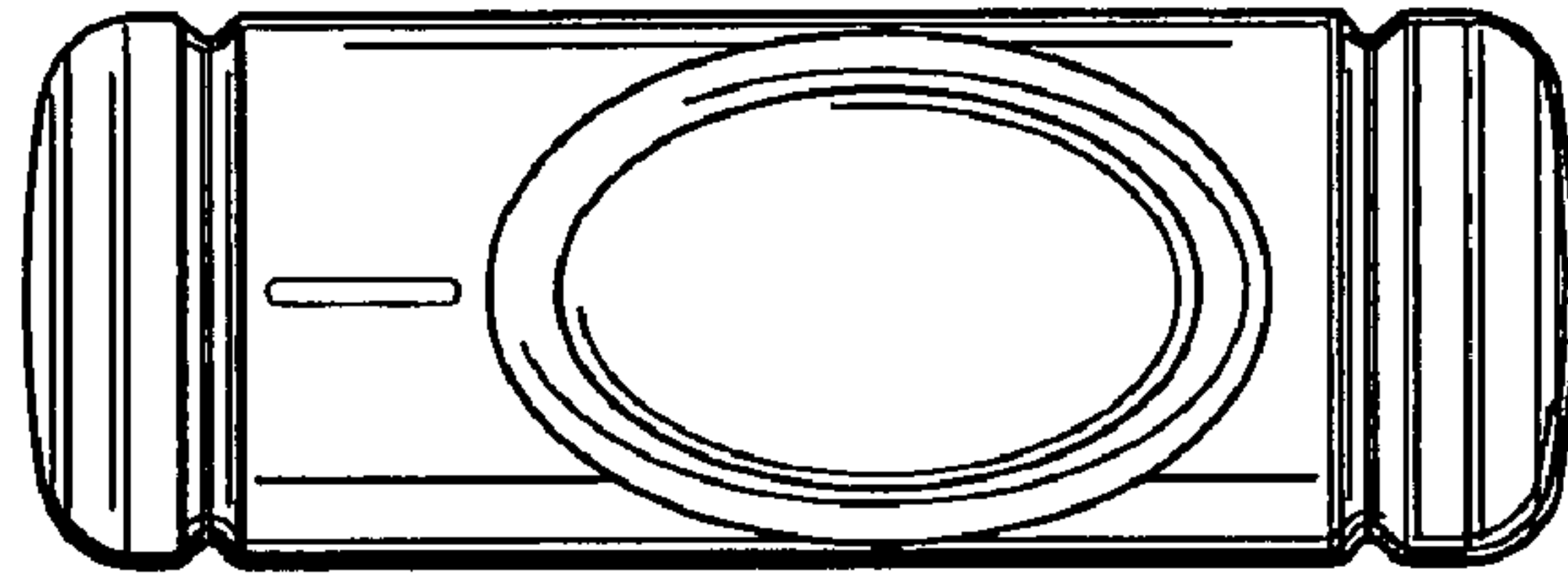


FIG. 4

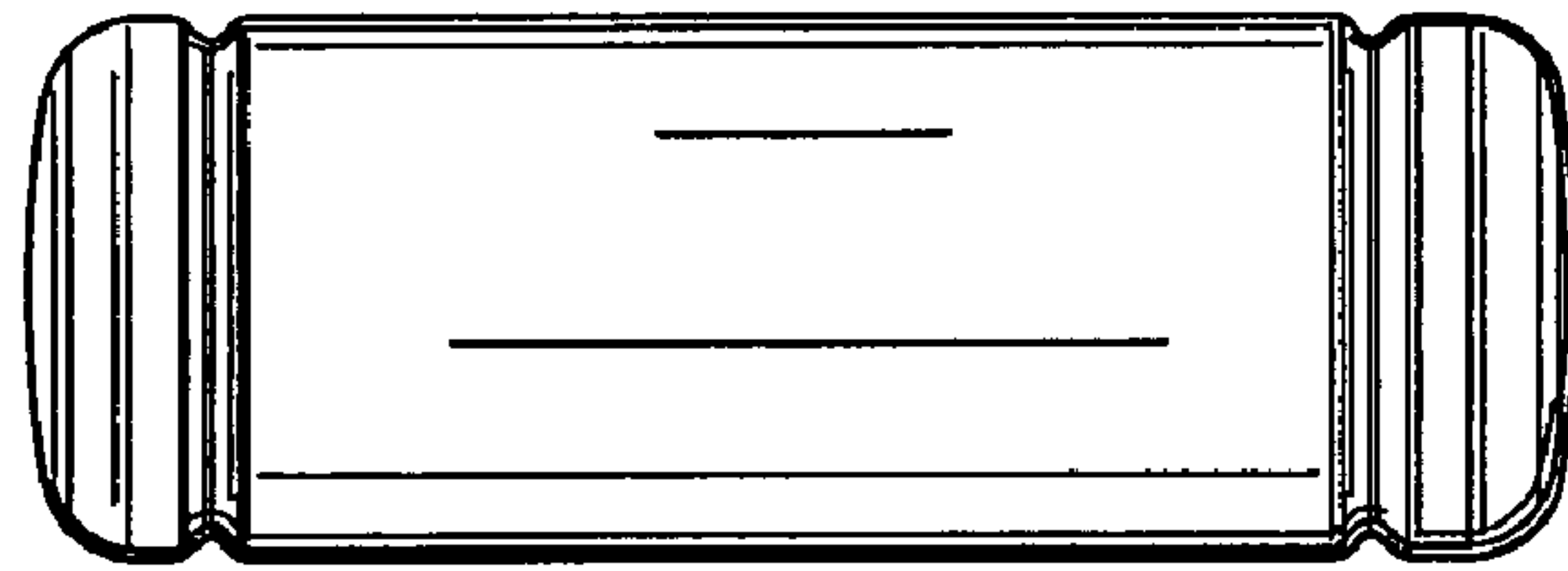


FIG. 5

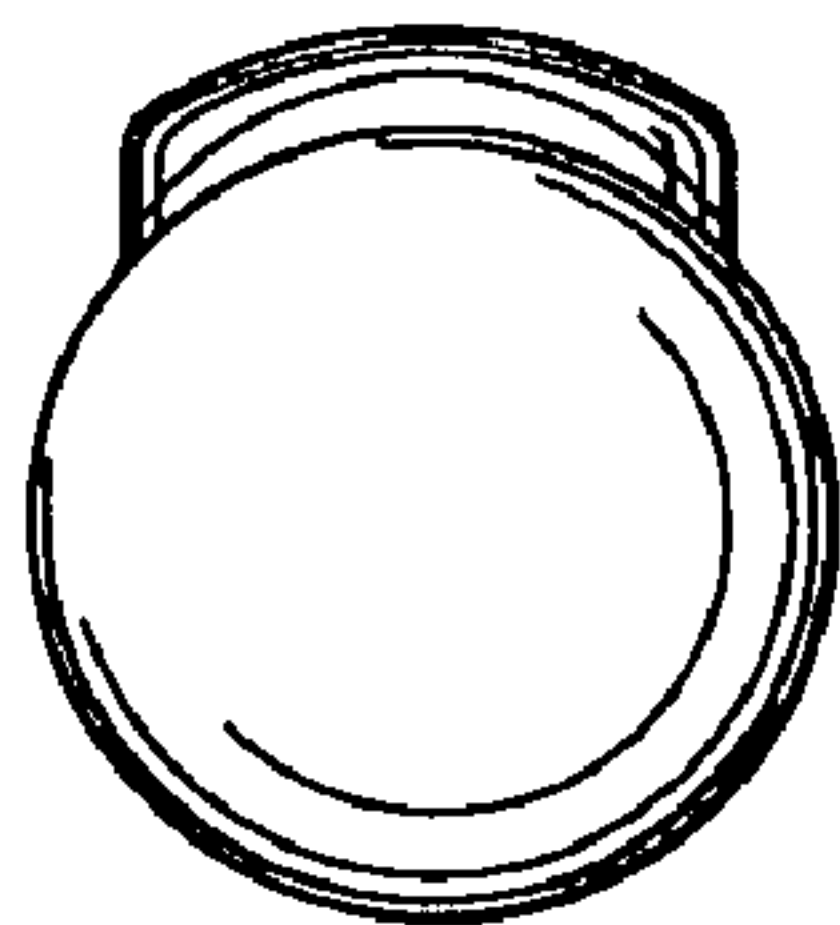


FIG. 6

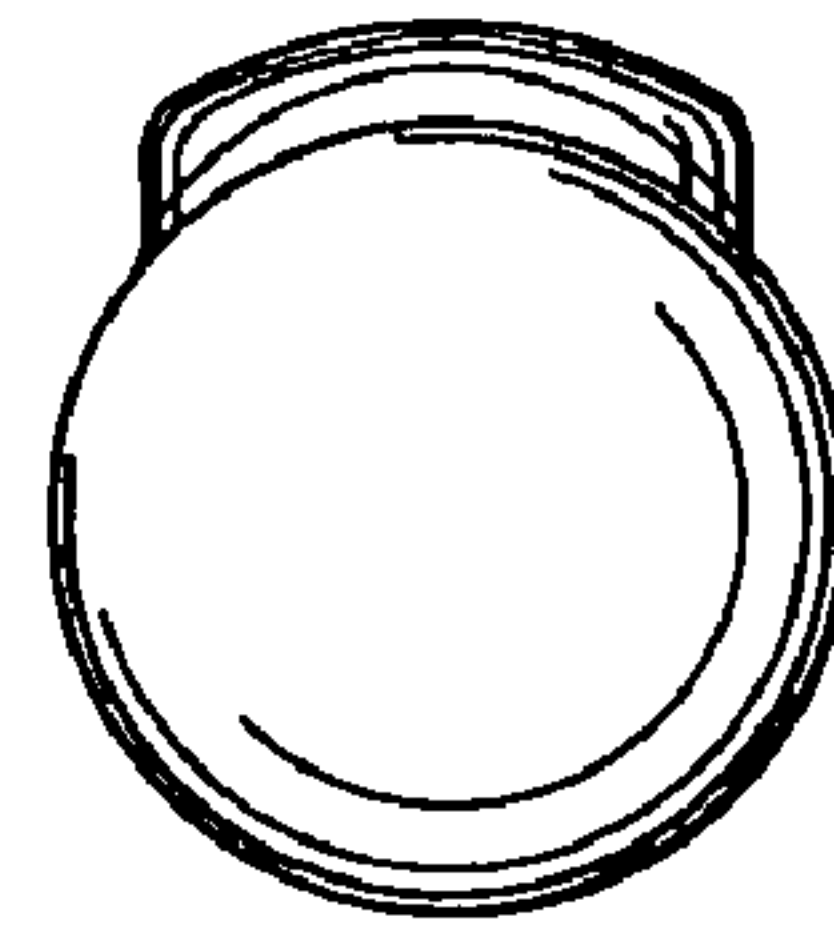


FIG. 7