

US00D567949S

(12) **United States Design Patent**  
**Lash et al.**

(10) **Patent No.:** **US D567,949 S**  
(45) **Date of Patent:** **\*\* Apr. 29, 2008**

(54) **SENSOR PAD**

2006/0258928 A1 11/2006 Ortner et al.

(75) Inventors: **Robert E Lash**, Redwood City, CA  
(US); **Jimmy Jian-min Mao**, Fremont,  
CA (US)

\* cited by examiner

*Primary Examiner*—Ian Simmons  
*Assistant Examiner*—Anhdao Doan  
(74) *Attorney, Agent, or Firm*—Aka Chan LLP

(73) Assignee: **ViOptix, Inc.**, Fremont, CA (US)

(\*\*) Term: **14 Years**

(57) **CLAIM**

(21) Appl. No.: **29/281,486**

The ornamental design for a sensor pad, as shown and described.

(22) Filed: **Jun. 25, 2007**

**DESCRIPTION**

(51) **LOC (8) Cl.** ..... **24-01**

(52) **U.S. Cl.** ..... **D24/168**

(58) **Field of Classification Search** ..... D24/167,  
D24/168, 187, 158; 600/384, 391, 393; 607/142,  
607/148, 152

FIG. 1 shows a perspective view of a design for a sensor pad.

FIG. 2 shows a top view of the design.

FIG. 3 shows a bottom view of the design.

FIG. 4 shows a front view of the design.

FIG. 5 shows a right side view of the design. A left side view of the design is a mirror image of the right side view; and,

FIG. 6 shows a view of the sensor when placed on a thenar eminence of a hand of a person.

See application file for complete search history.

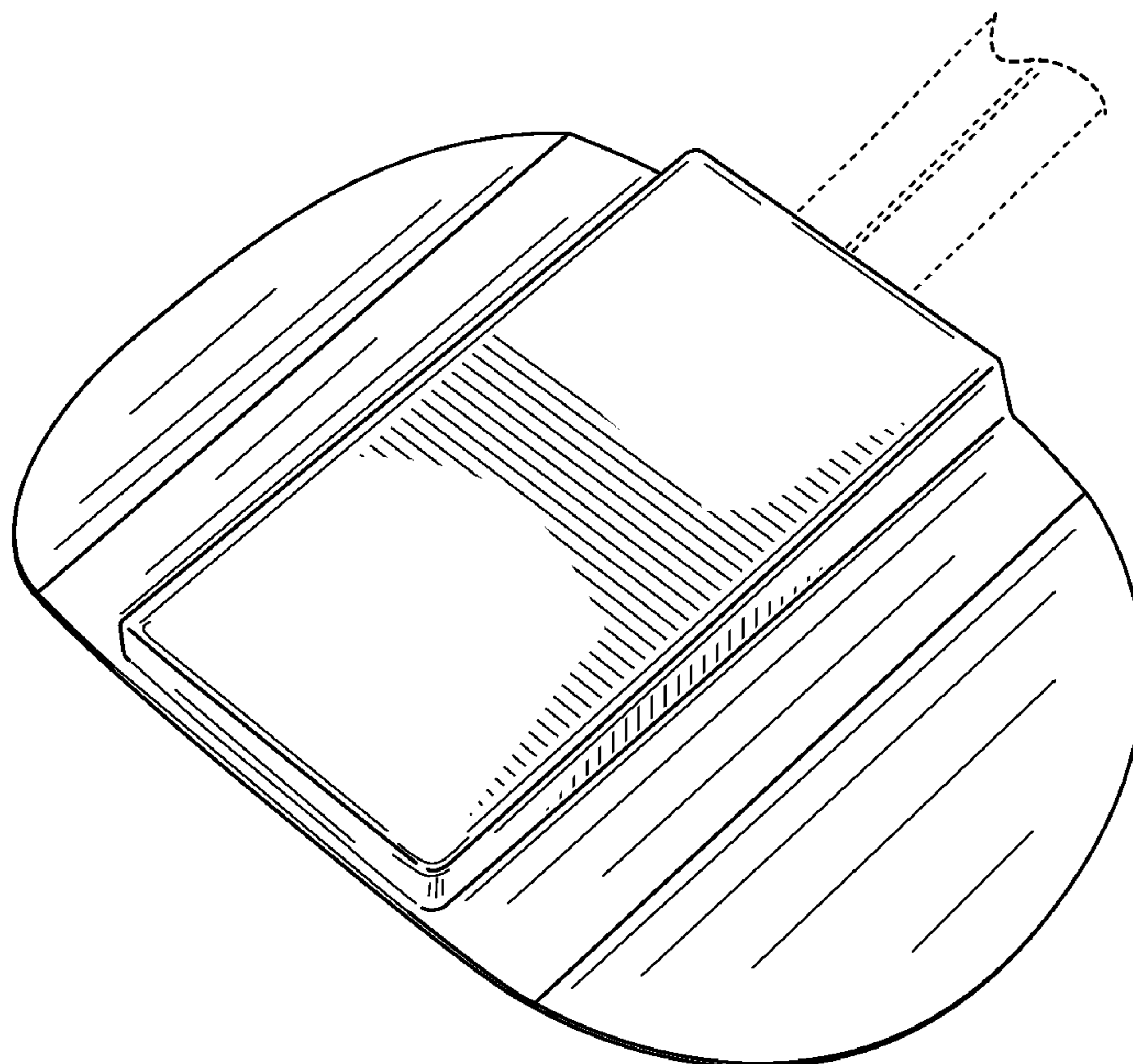
The broken-line features in the figures are for illustrative purposes only and form no part of the claimed design.

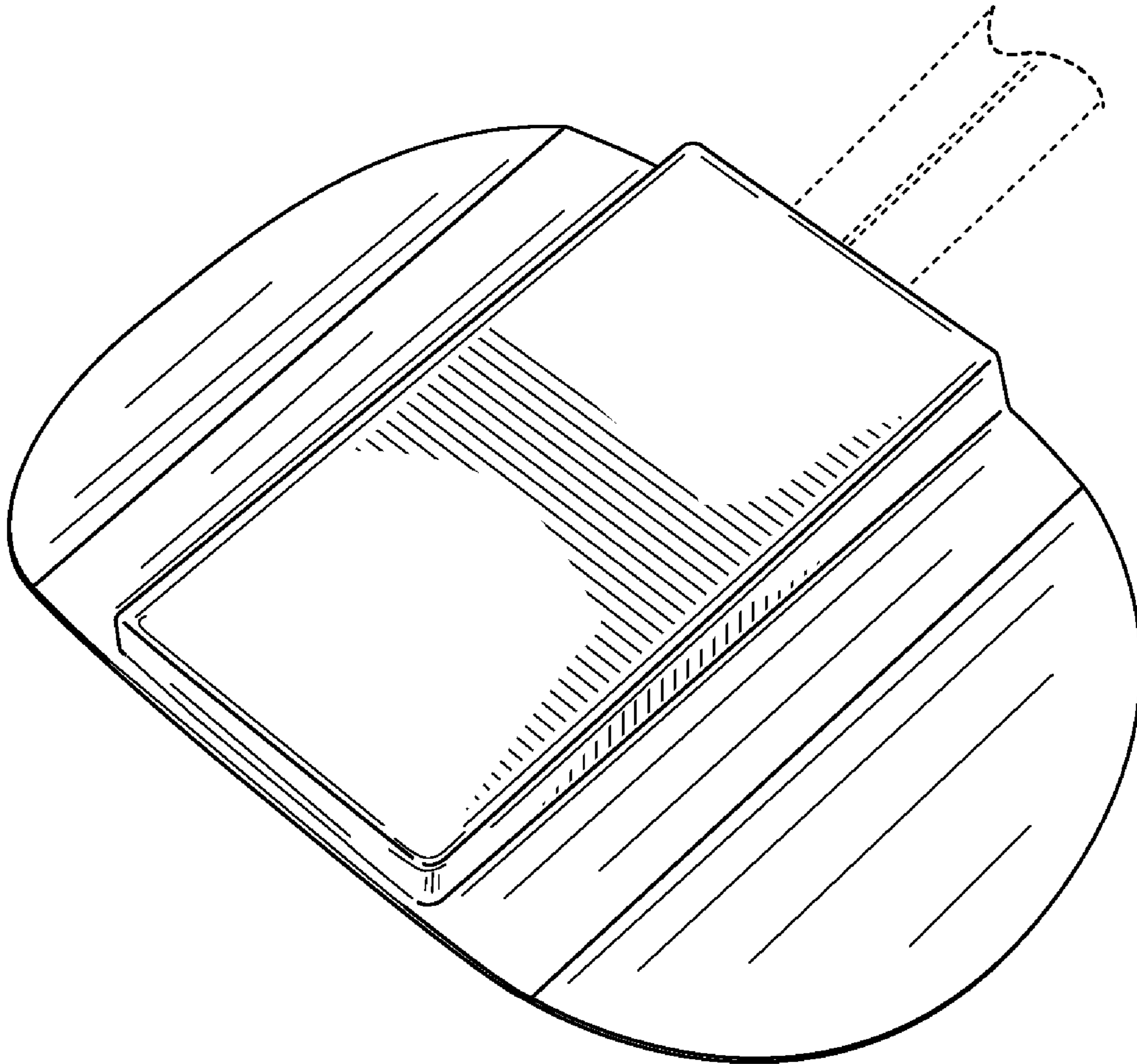
(56) **References Cited**

**U.S. PATENT DOCUMENTS**

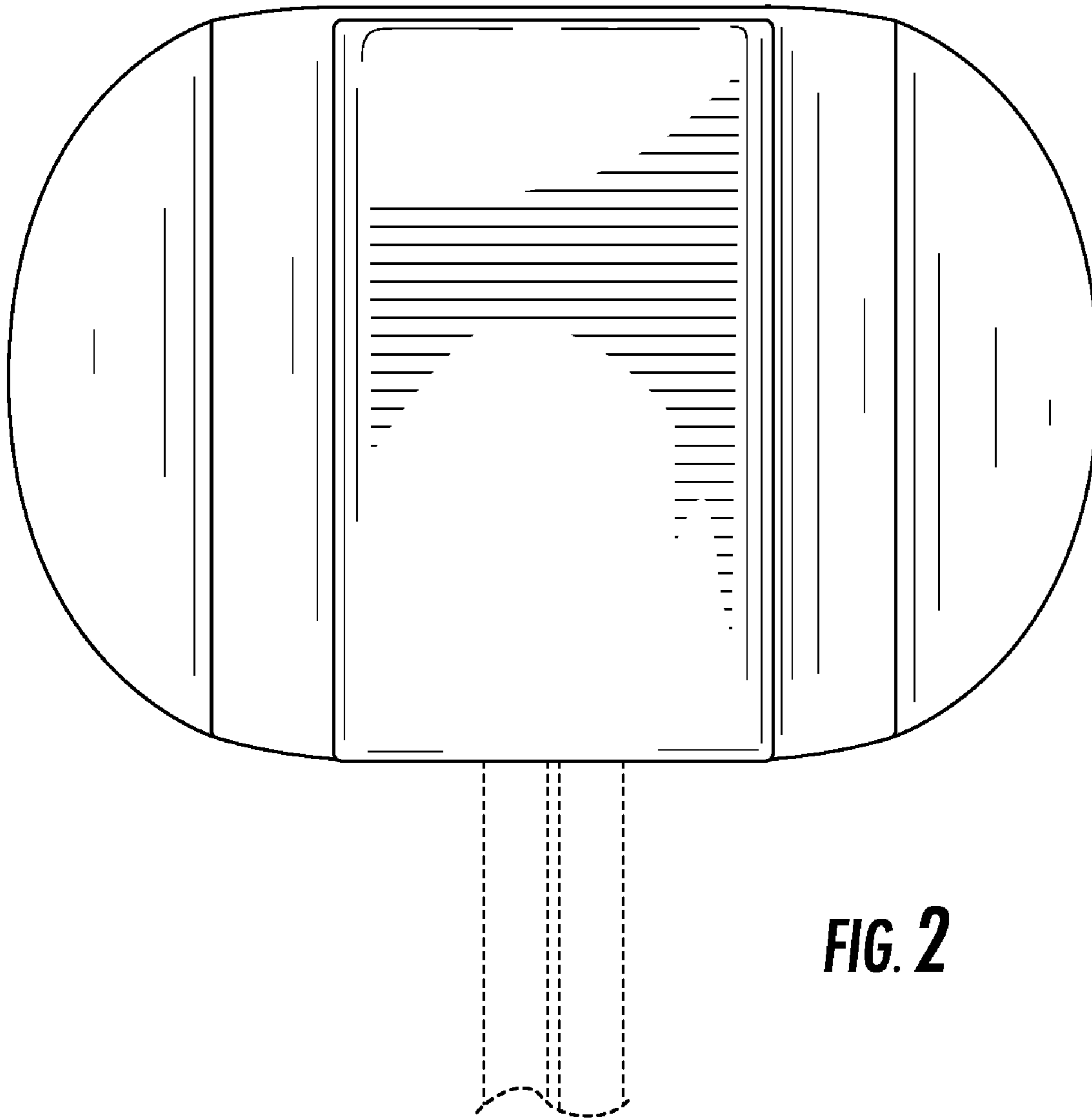
D297,461 S *	8/1988	Inoue et al.	.....	D24/168
D327,739 S *	7/1992	Anderson	.....	D24/168
D385,037 S *	10/1997	Jensen	.....	D24/187
D478,668 S *	8/2003	Epstein	.....	D24/187
D495,055 S *	8/2004	Silber	.....	D24/187

**1 Claim, 5 Drawing Sheets**

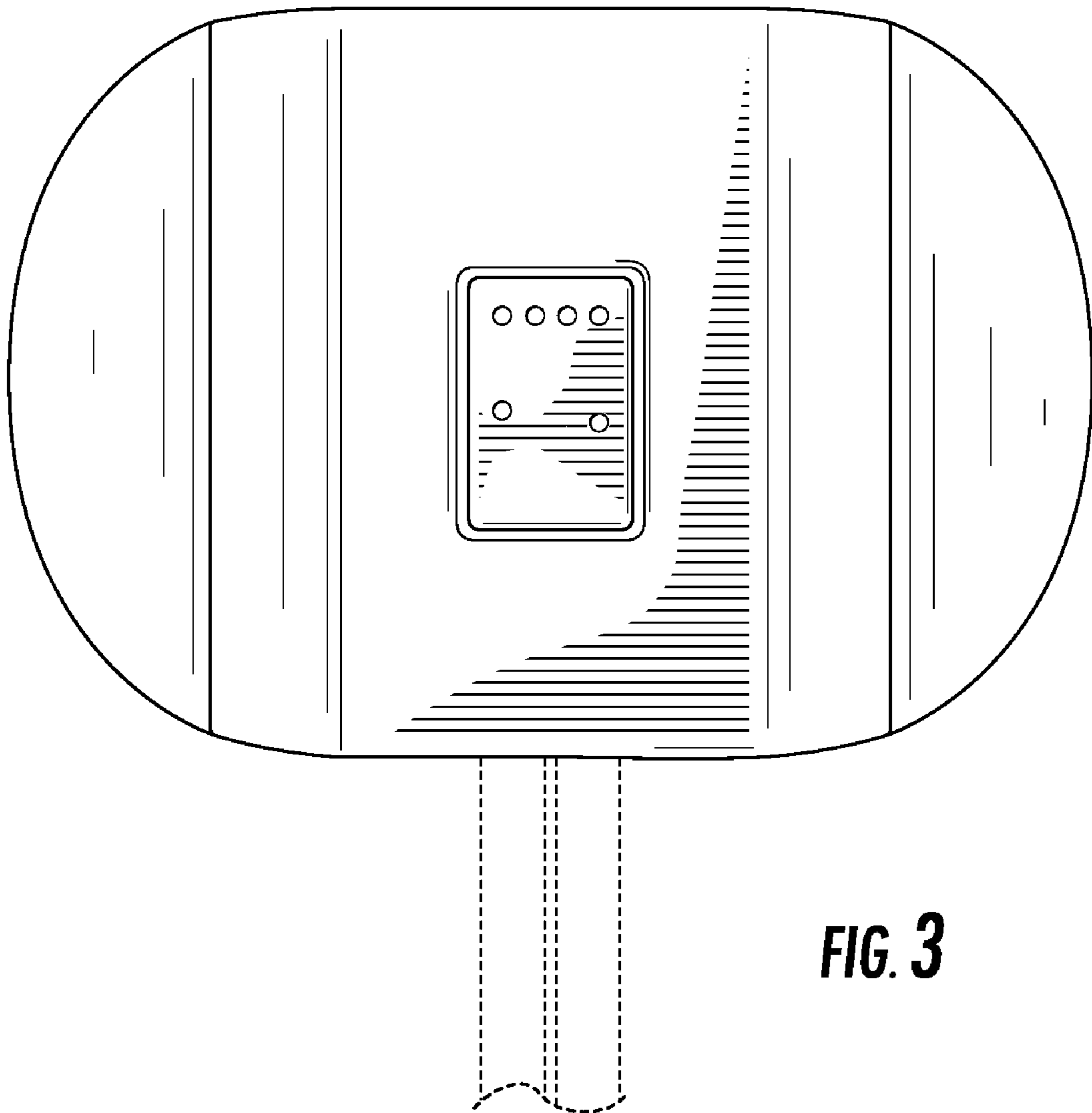




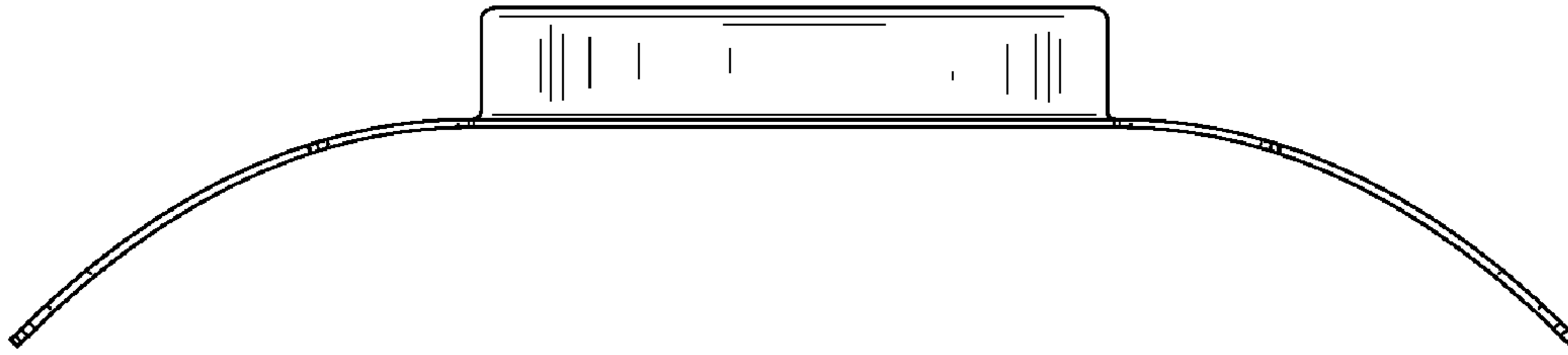
**FIG. 1**



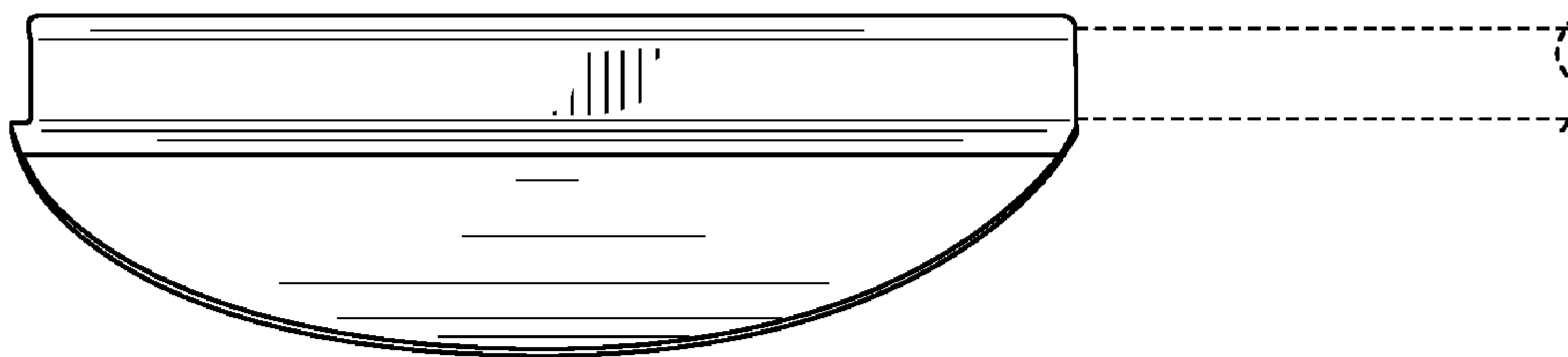
**FIG. 2**



**FIG. 3**



**FIG. 4**



**FIG. 5**

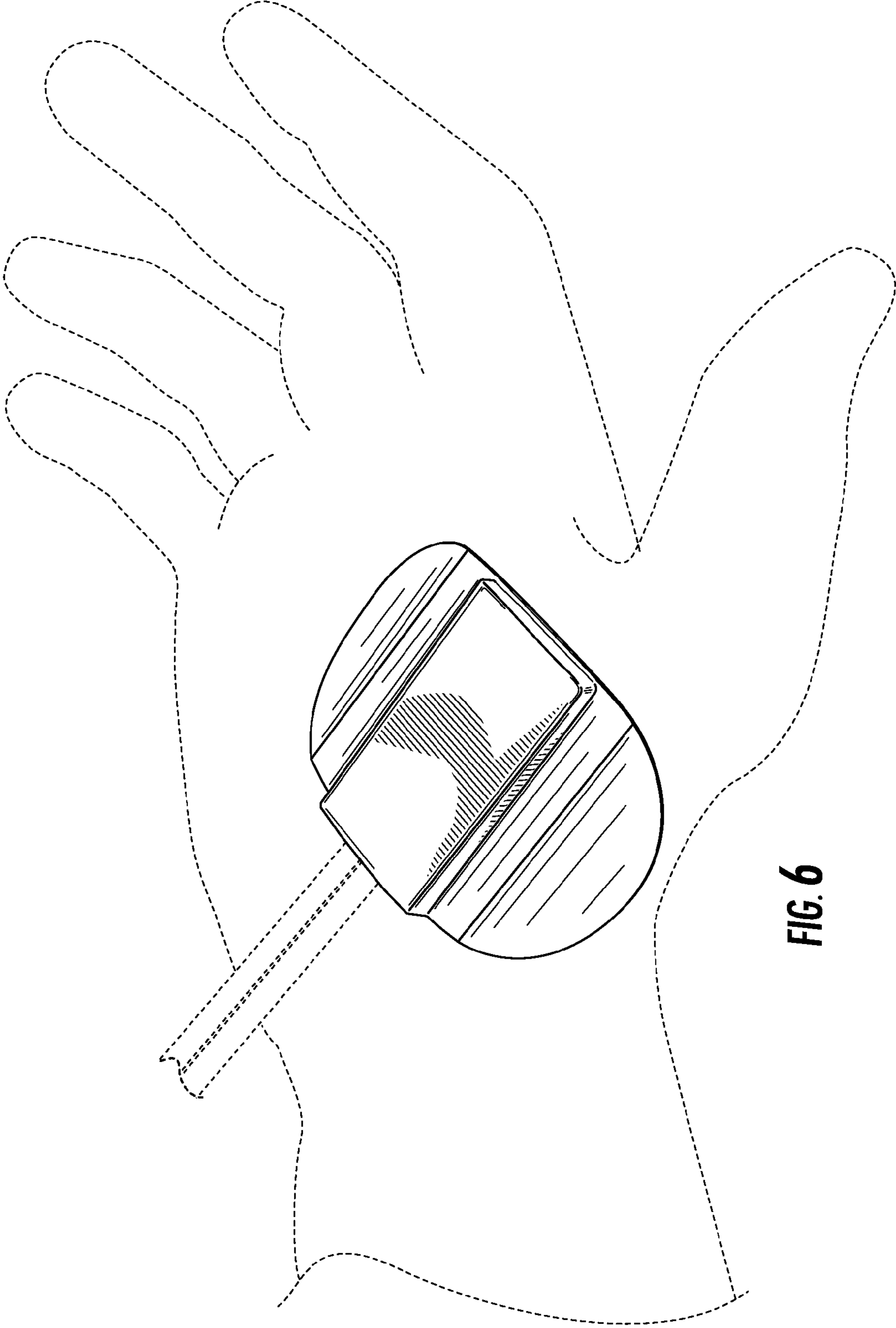


FIG. 6