



US00D567942S

(12) **United States Design Patent**  
**Wong**

(10) **Patent No.:** **US D567,942 S**

(45) **Date of Patent:** **\*\* Apr. 29, 2008**

(54) **DILATOR HUB**

(75) Inventor: **Tony L. Wong**, Modesto, CA (US)

(73) Assignee: **Abott Laboratories**, Abbott Park, IL (US)

(\*\*) Term: **14 Years**

(21) Appl. No.: **29/257,836**

(22) Filed: **Apr. 11, 2006**

(51) **LOC (8) Cl.** ..... **24-02**

(52) **U.S. Cl.** ..... **D24/129**

(58) **Field of Classification Search** ..... D24/112,  
D24/128, 129; 604/164.1, 913, 96.01, 104;  
606/193; 128/DIG. 1

See application file for complete search history.

(56) **References Cited**

**U.S. PATENT DOCUMENTS**

4,137,922	A *	2/1979	Leininger et al. ....	606/193
5,391,152	A *	2/1995	Patterson .....	604/165.04
D395,502	S *	6/1998	Deily et al. ....	D24/112
5,863,366	A *	1/1999	Snow .....	156/143
5,885,217	A *	3/1999	Gisselberg et al. ....	600/434
5,971,958	A *	10/1999	Zhang .....	604/165.02
D435,652	S *	12/2000	Nazarifar et al. ....	D24/129
6,171,281	B1 *	1/2001	Zhang .....	604/164.01
D445,322	S *	7/2001	Hames .....	D8/38
6,336,914	B1 *	1/2002	Gillespie, III .....	604/165.01

D465,845	S *	11/2002	Swenson .....	D24/130
6,589,262	B1 *	7/2003	Honebrink et al. ....	606/191
6,719,772	B2 *	4/2004	Trask et al. ....	606/191
2006/0217664	A1 *	9/2006	Hattler et al. ....	604/164.1

\* cited by examiner

*Primary Examiner*—Louis S. Zarfaz

*Assistant Examiner*—Eric L. Goodman

(74) *Attorney, Agent, or Firm*—Workman Nydegger

(57) **CLAIM**

The ornamental design for a dilator hub, as shown and described.

**DESCRIPTION**

FIG. 1 is a perspective view of the novel design for a dilator hub;

FIG. 2 is a top view of the novel design for a dilator hub, which is identical to the bottom view;

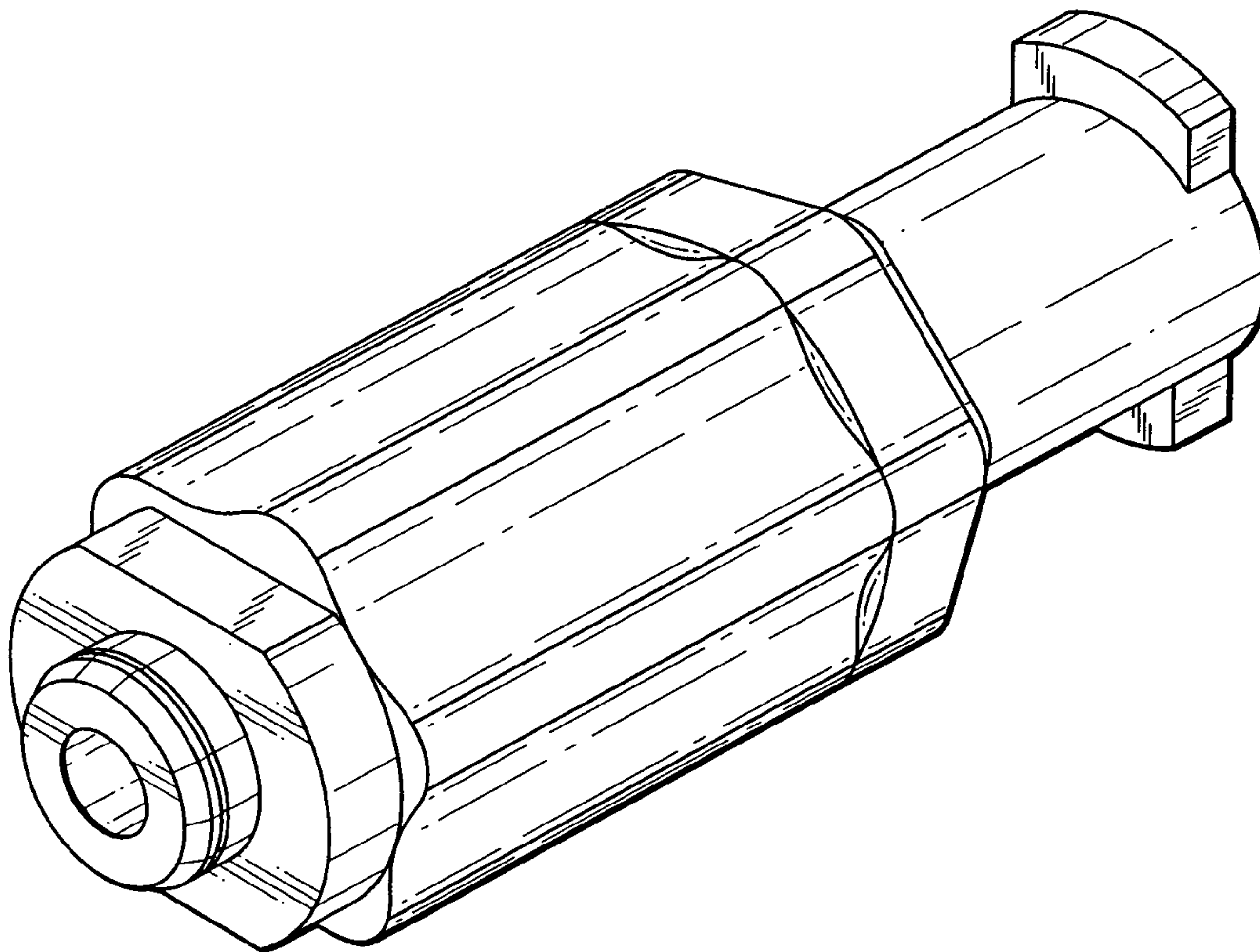
FIG. 3 is a front elevational view of the novel design for a dilator hub;

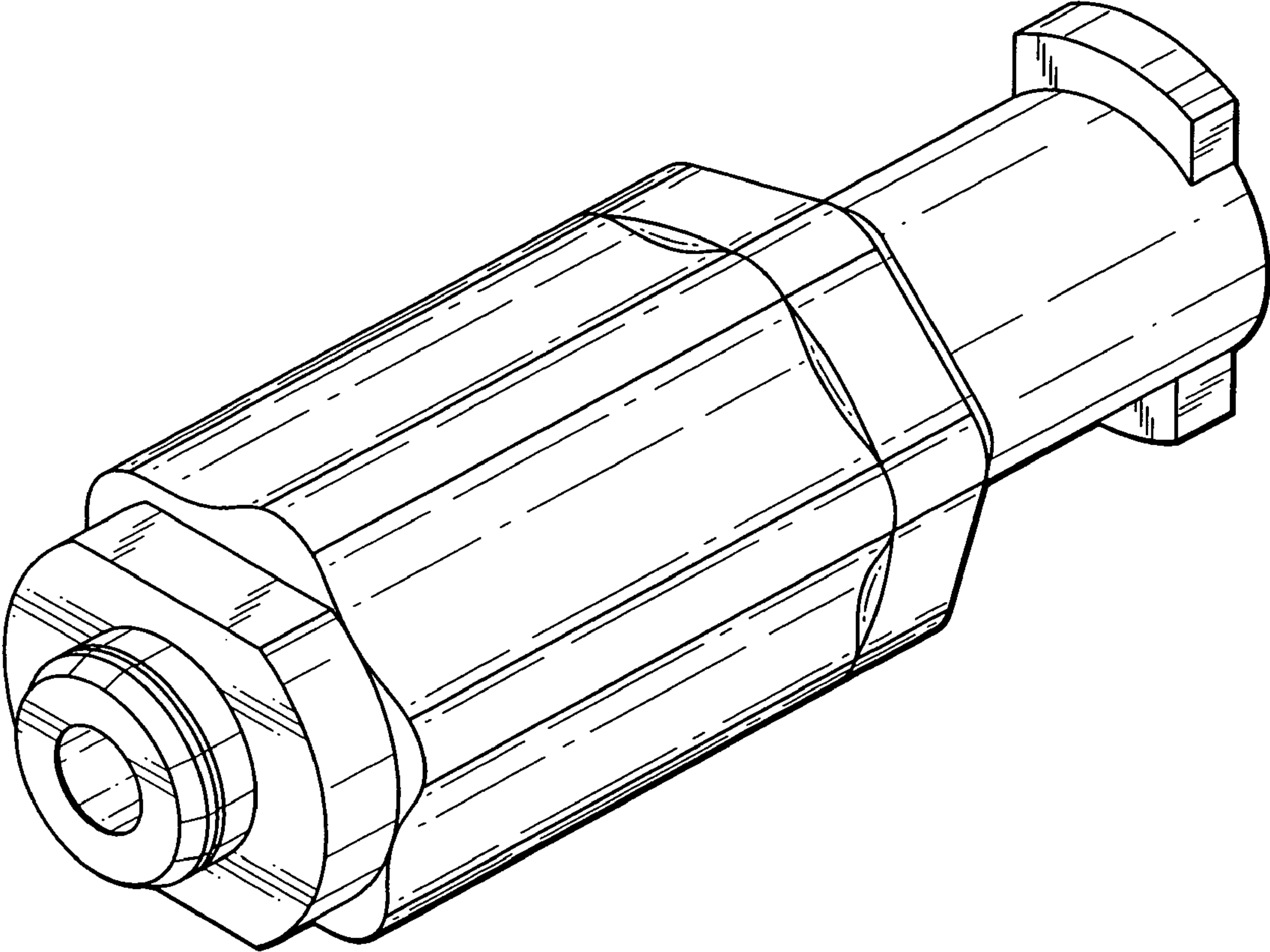
FIG. 4 is a rear elevational view of the novel design for a dilator hub;

FIG. 5 is a side view of the left side of the novel design for a dilator hub; and,

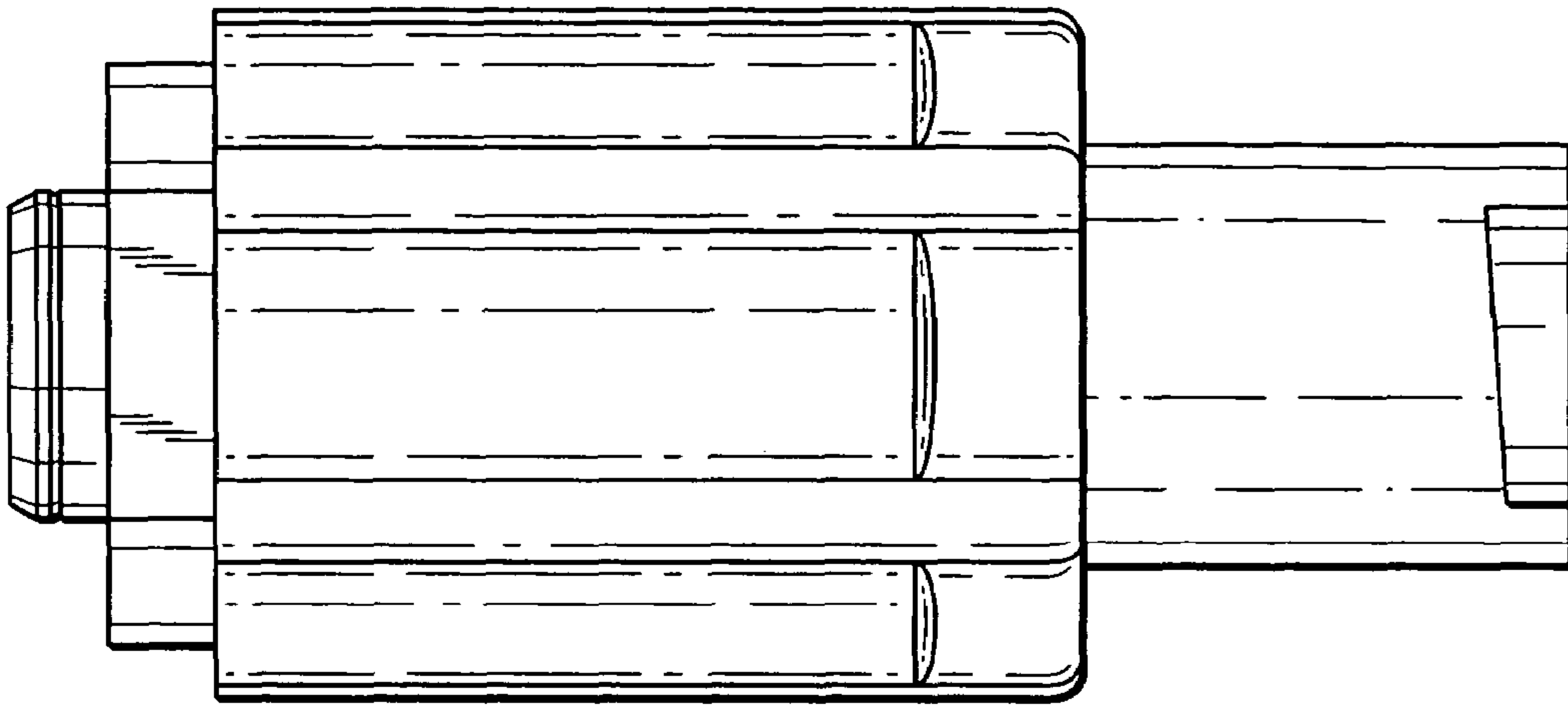
FIG. 6 is a side view of the right side of the novel design for a dilator hub.

**1 Claim, 3 Drawing Sheets**

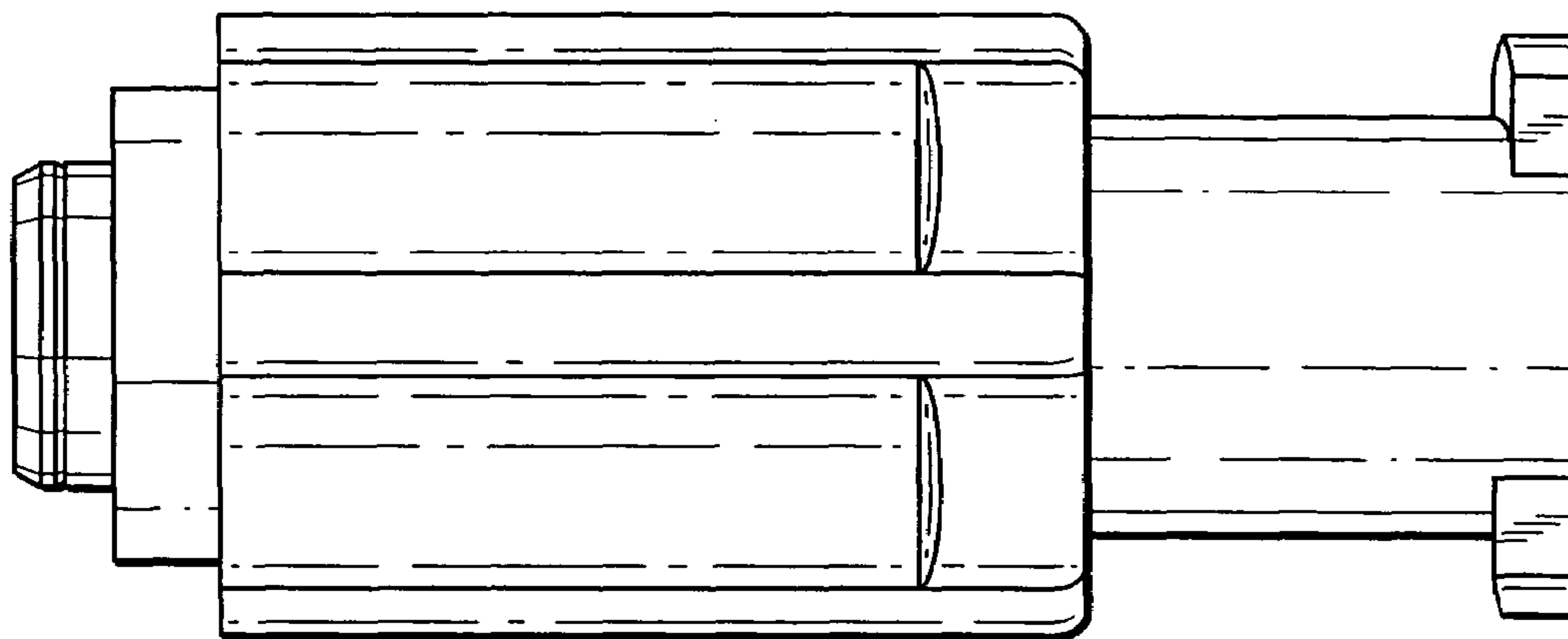




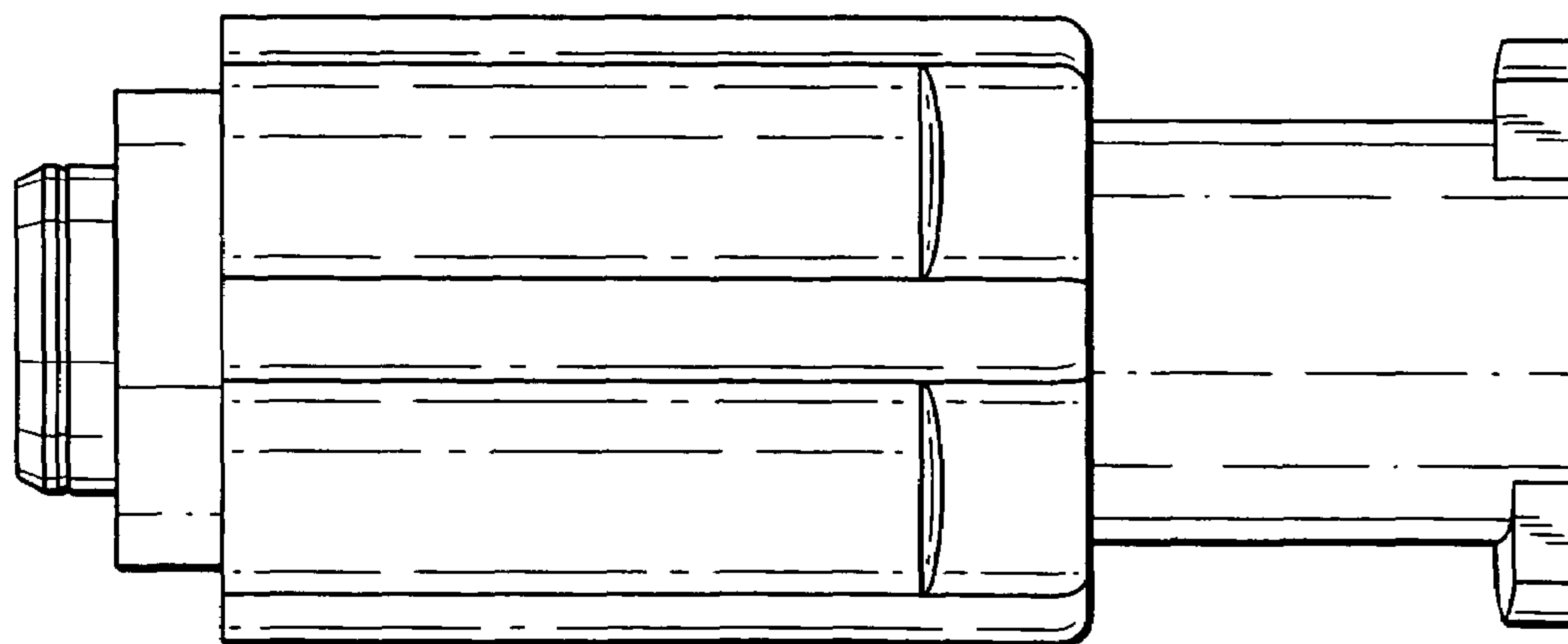
**Fig. 1**



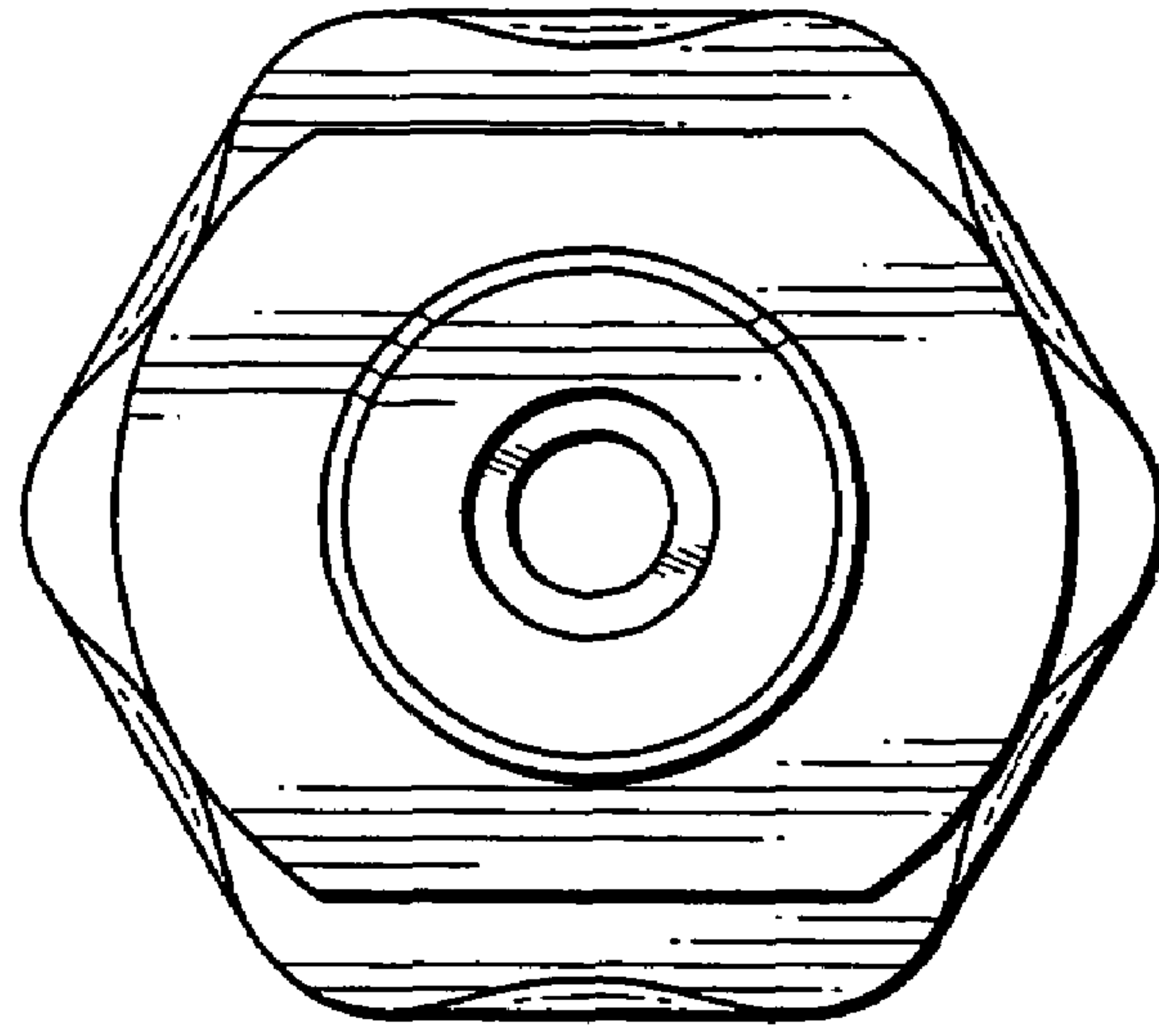
**Fig. 2**



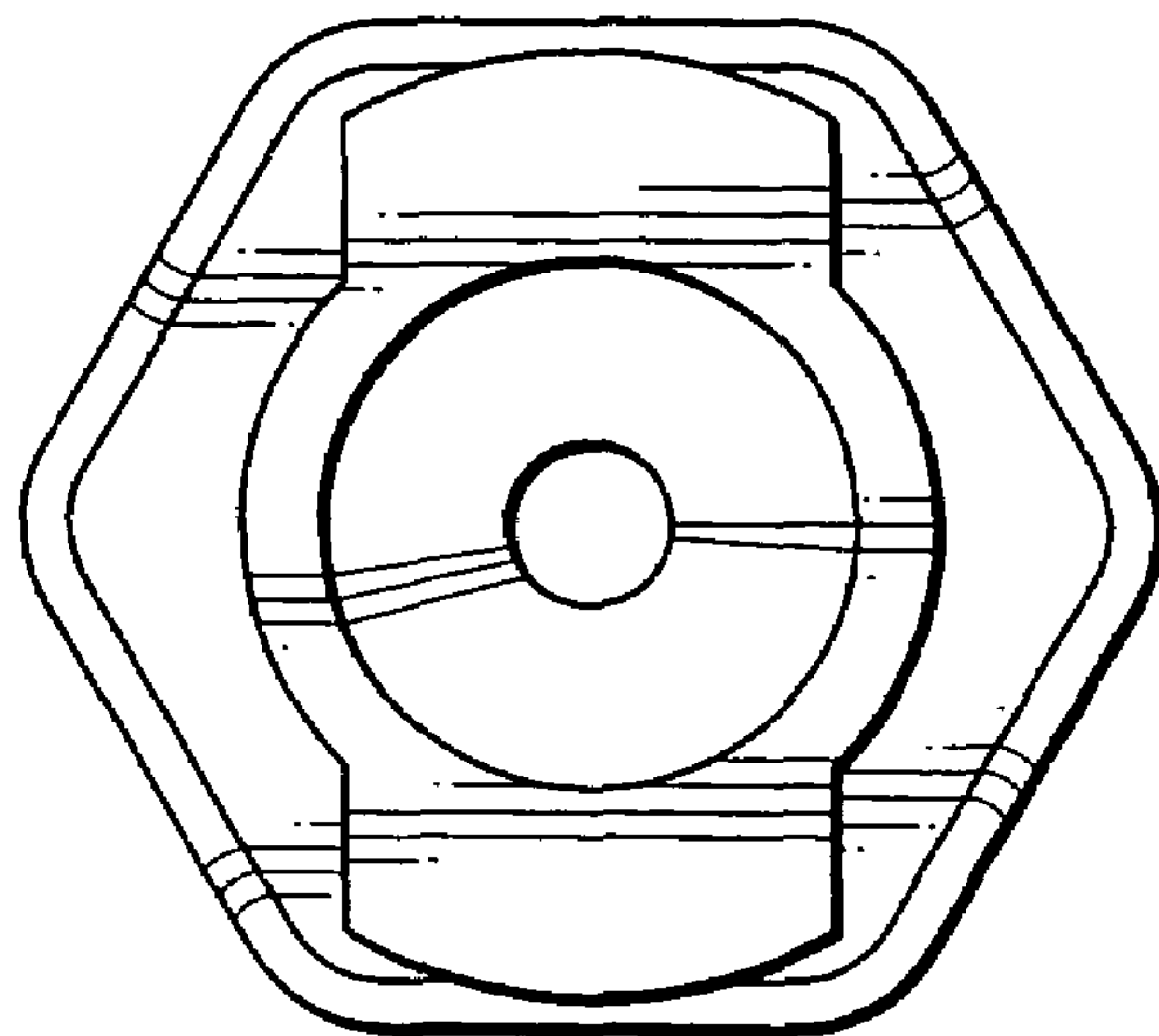
**Fig. 3**



**Fig. 4**



**Fig. 5**



**Fig. 6**