

US00D567934S

(12) **United States Design Patent**
Shapiro

(10) **Patent No.:** **US D567,934 S**

(45) **Date of Patent:** **** Apr. 29, 2008**

(54) **BODY FOR A FAN**

(75) Inventor: **Barry Shapiro**, Doylestown, PA (US)

(73) Assignee: **Lasko Holdings, Inc.**, Wilmington, DE (US)

(**) Term: **14 Years**

(21) Appl. No.: **29/288,925**

(22) Filed: **Jun. 27, 2007**

(51) **LOC (8) Cl.** **23-04**

(52) **U.S. Cl.** **D23/411**

(58) **Field of Classification Search** D23/382,
D23/381, 332, 370, 411, 412; 416/246 R,
416/247 R, 244 R

See application file for complete search history.

(56) **References Cited**

U.S. PATENT DOCUMENTS

D423,663 S	*	4/2000	Rossman et al.	D23/382
D433,117 S	*	10/2000	Wolfe	D23/411
D433,497 S	*	11/2000	Hotaling et al.	D23/382
D440,648 S	*	4/2001	Lee et al.	D23/382

* cited by examiner

Primary Examiner—Lisa Lichtenstein

(74) *Attorney, Agent, or Firm*—Martin Fruitman

(57) **CLAIM**

The ornamental design of a body for a fan, as shown and described.

DESCRIPTION

FIG. 1 is a right side front perspective view of a body for a fan showing my new design;

FIG. 2 is a right side rear perspective view thereof;

FIG. 3 is a front elevation view thereof;

FIG. 4 is a right side elevation view thereof;

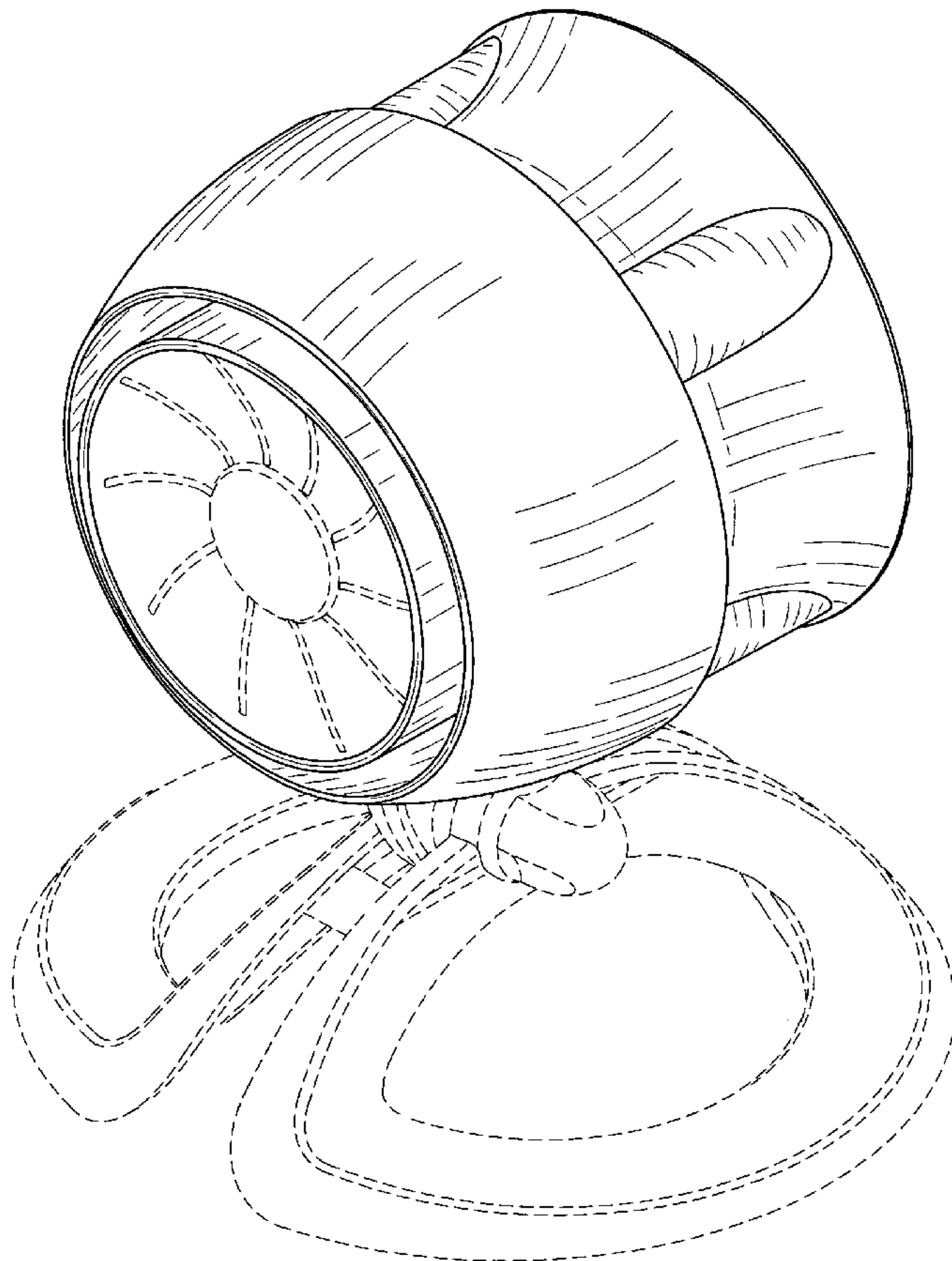
FIG. 5 is a left side elevation view thereof;

FIG. 6 is a rear elevation view thereof; and,

FIG. 7 is a top plan view thereof.

The broken line showing of a front grill, a rear grill, a hub and a base is included for the purpose of illustrating environmental structure and forms no part of the claimed design.

1 Claim, 7 Drawing Sheets



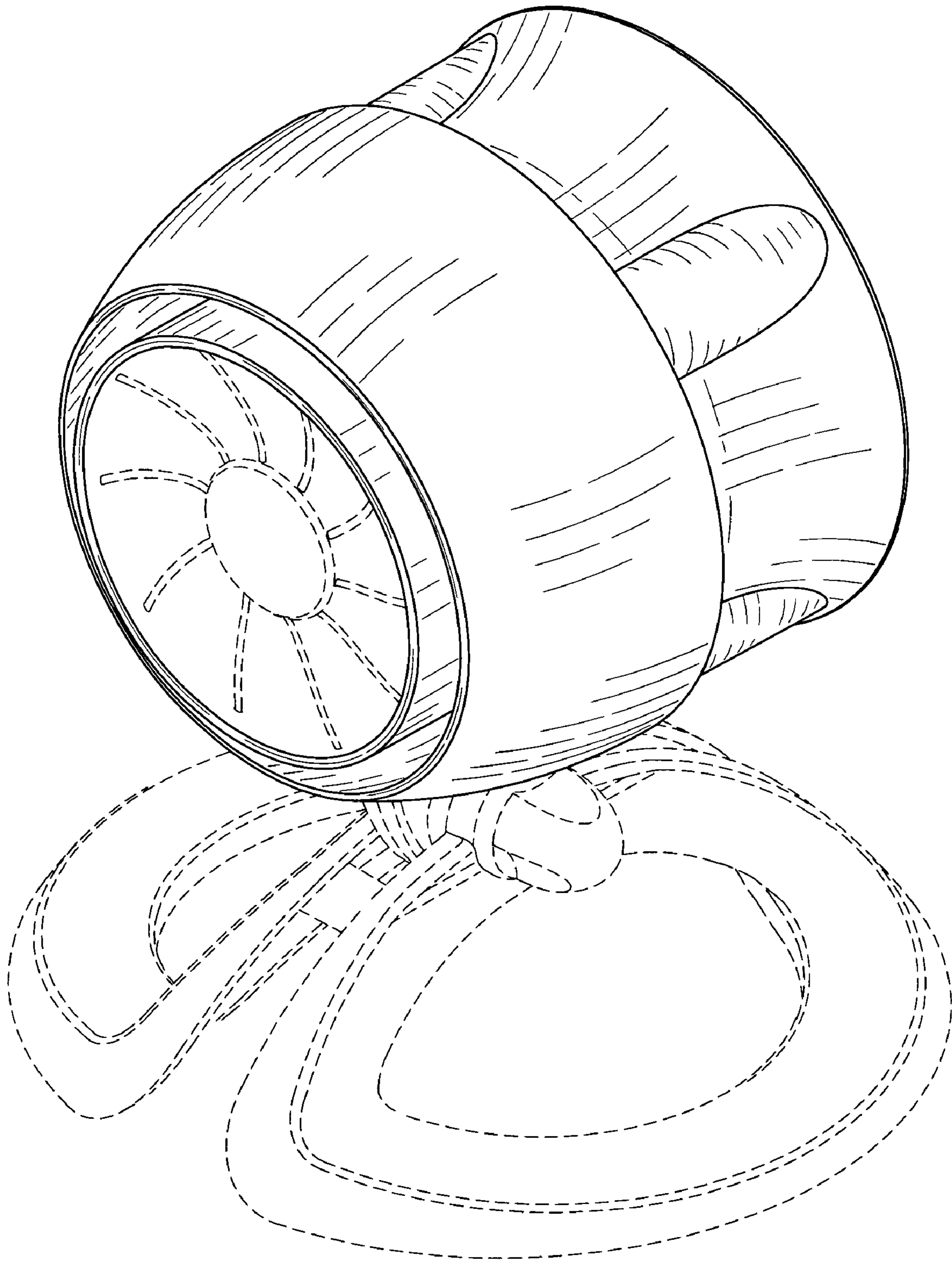


FIG. 1

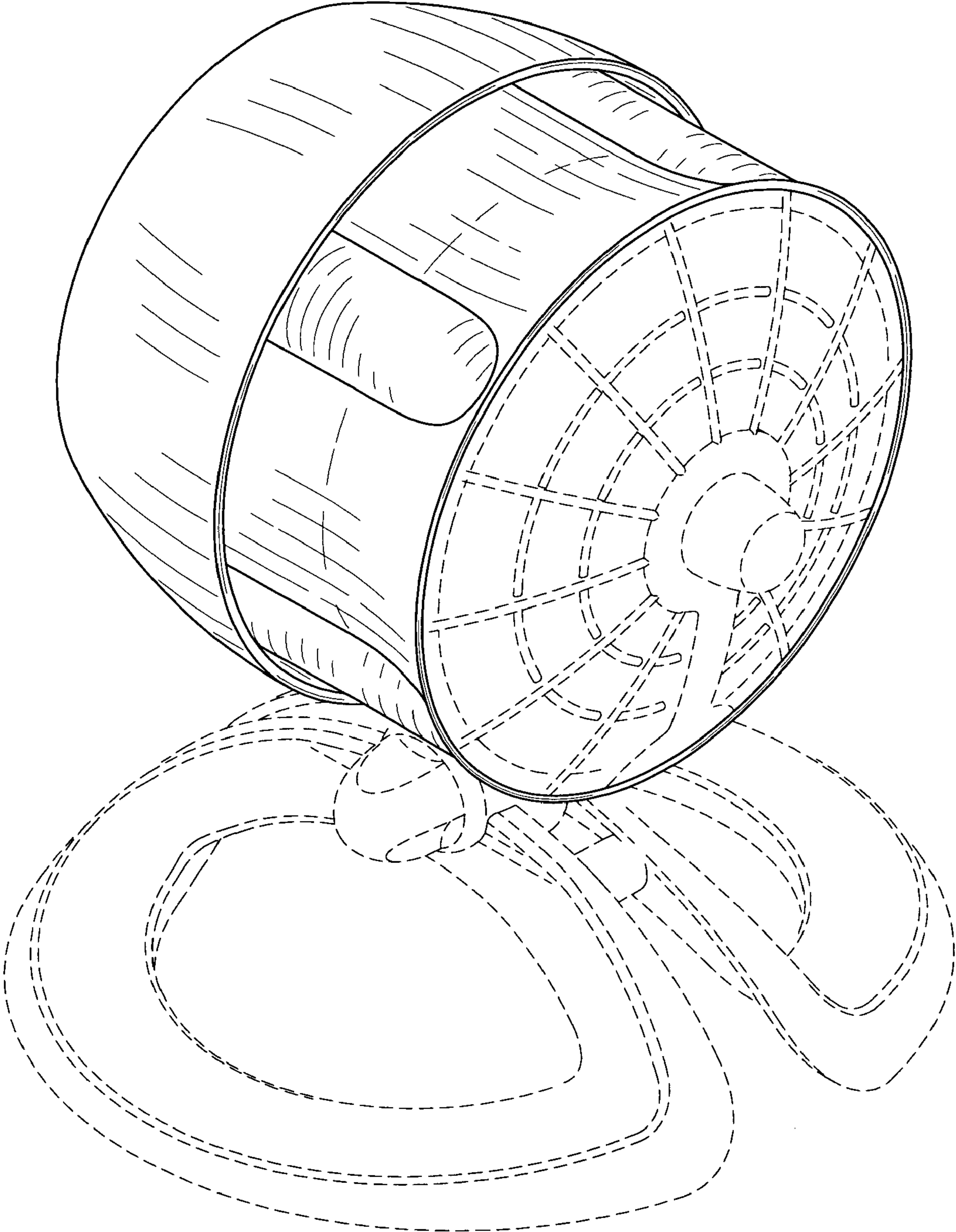


FIG. 2

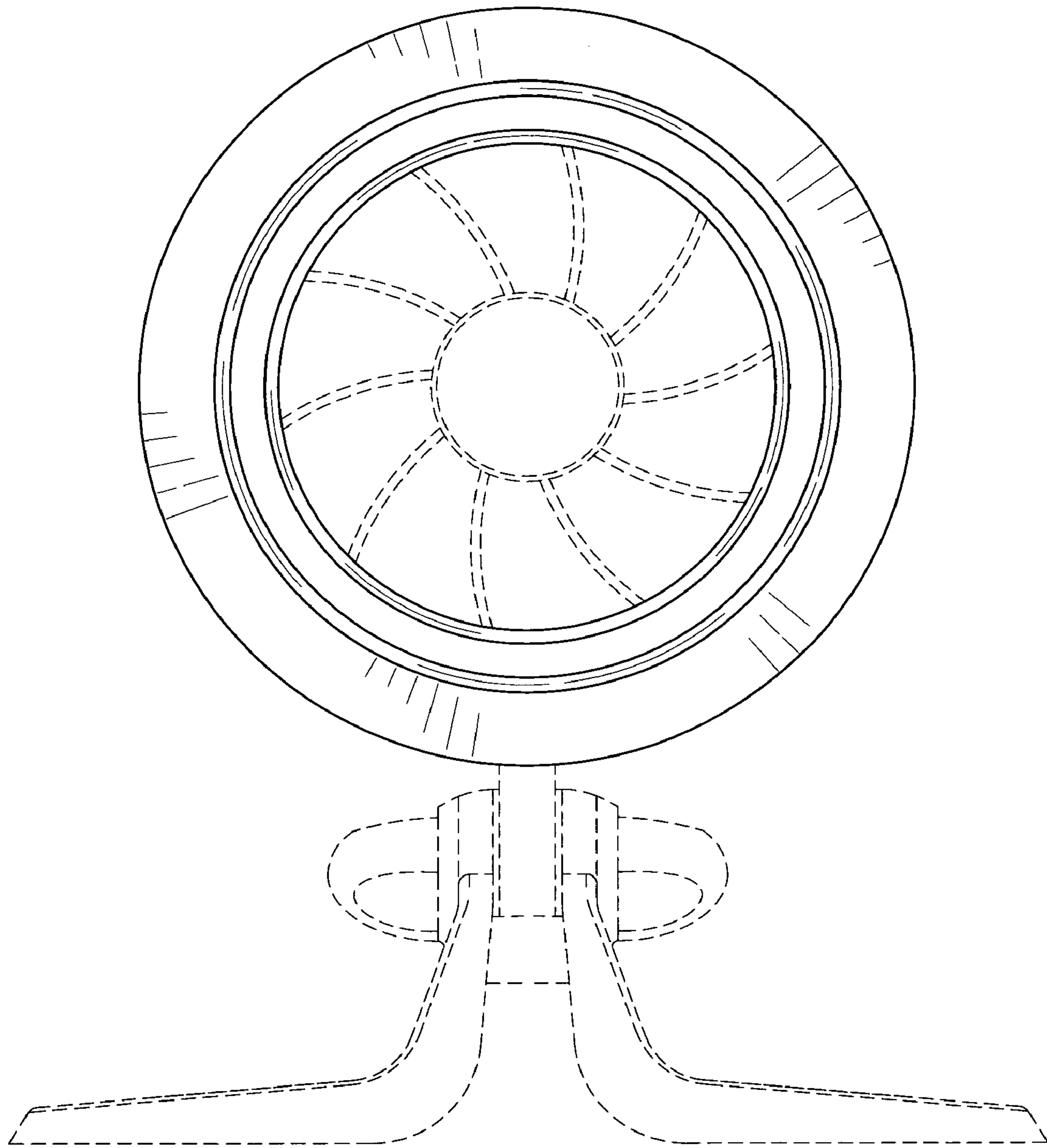


FIG. 3

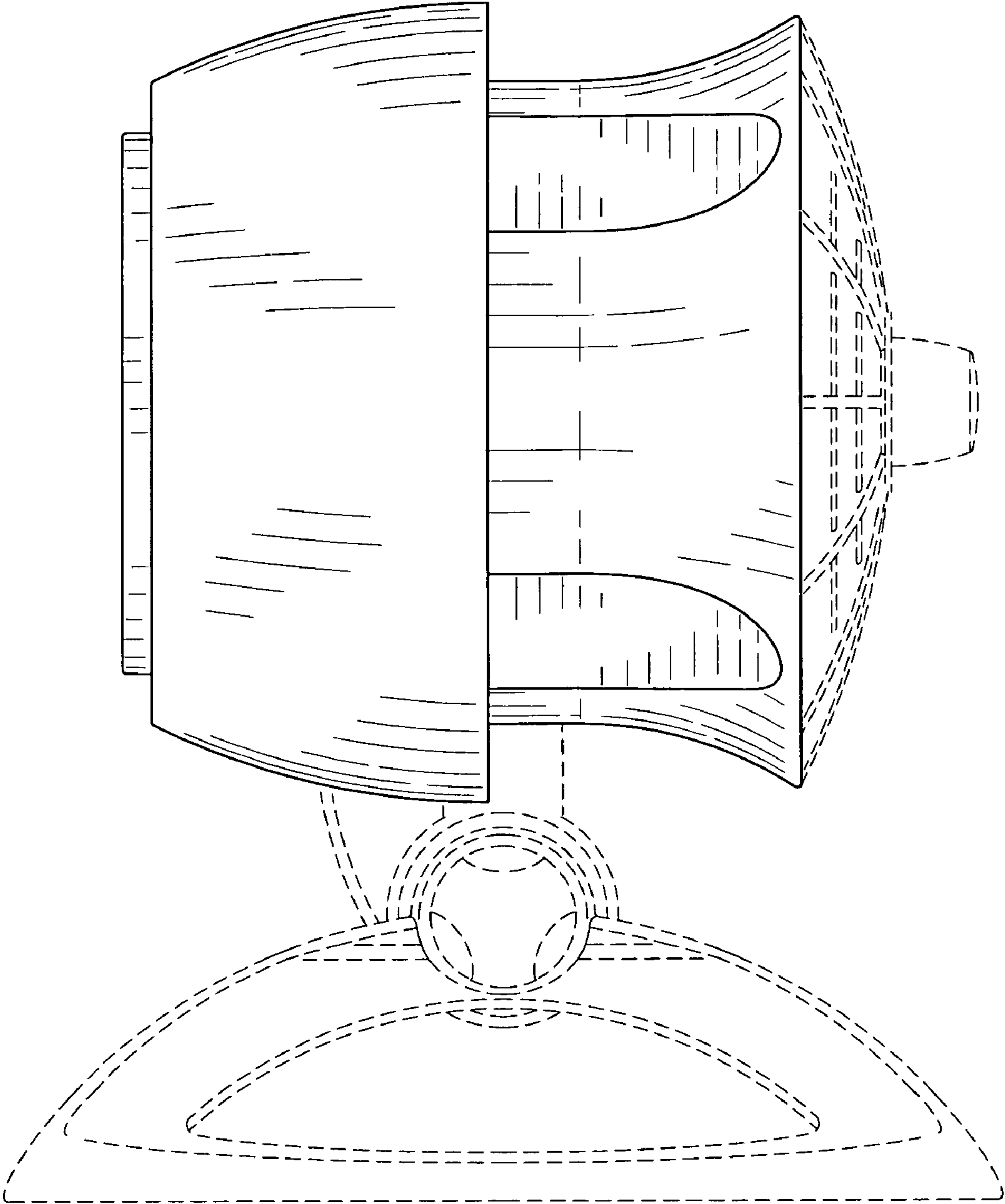


FIG. 4

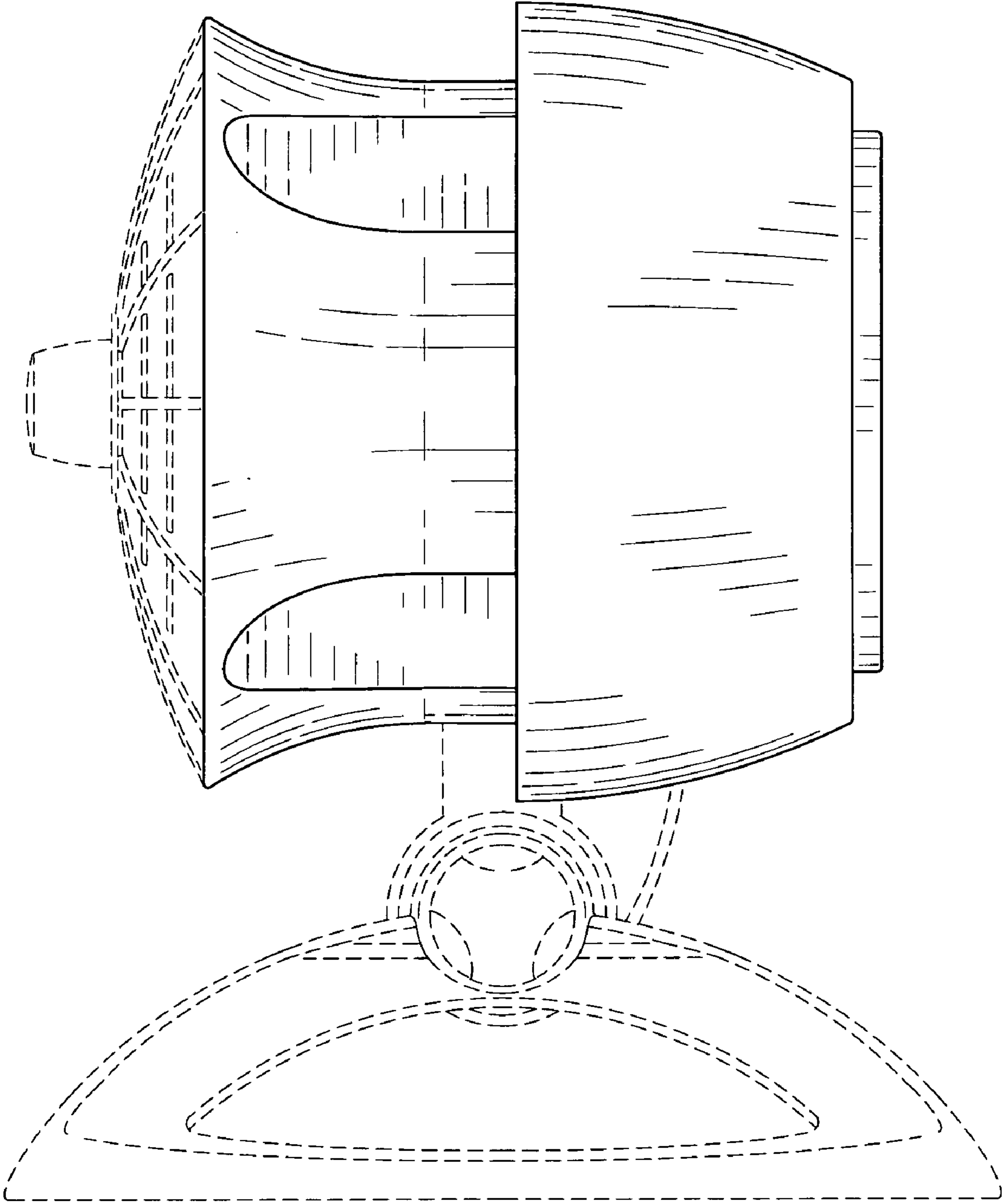


FIG. 5

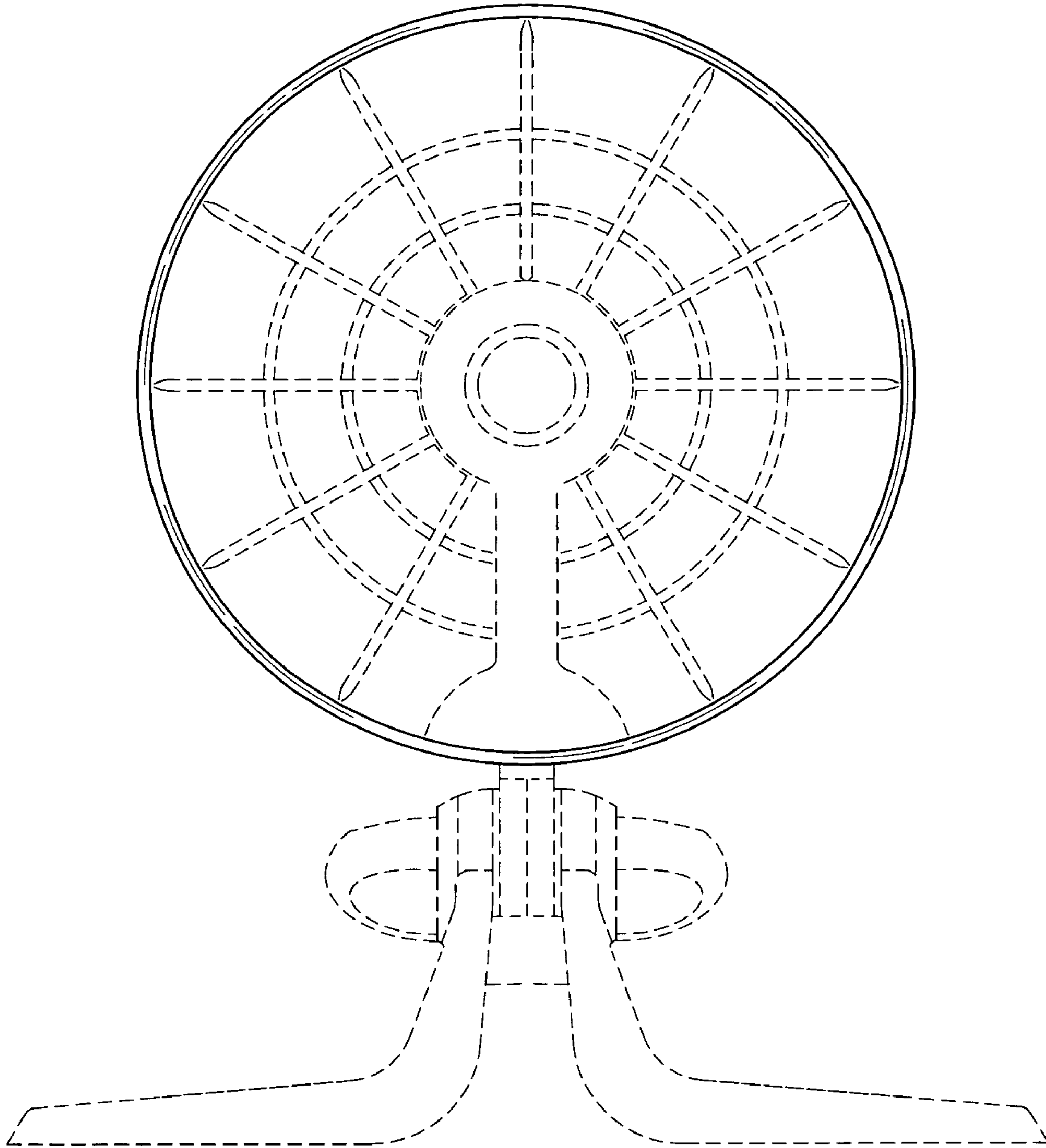


FIG. 6

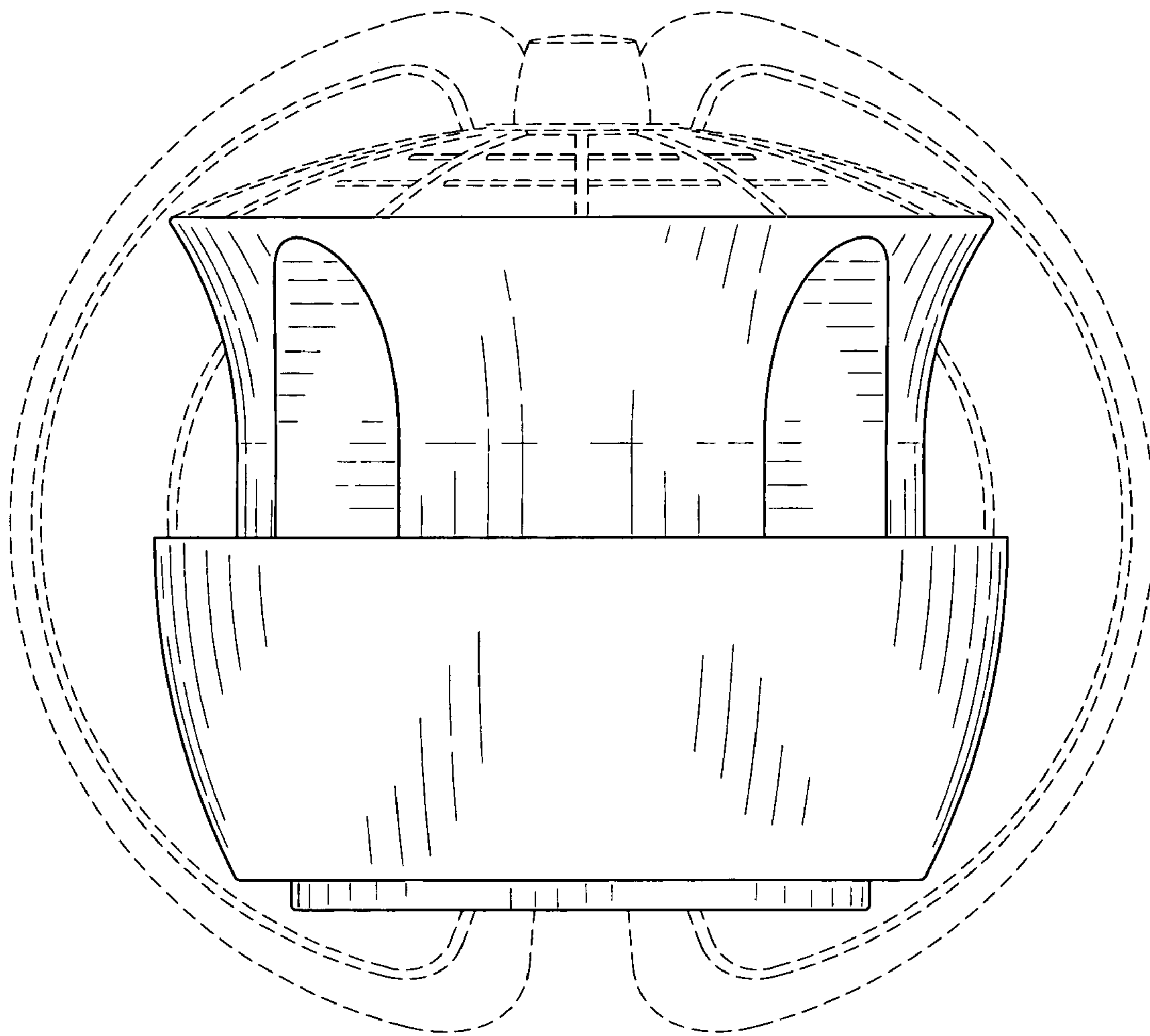


FIG. 7