



US00D567930S

(12) **United States Design Patent**  
**Smith**

(10) **Patent No.:** **US D567,930 S**

(45) **Date of Patent:** **\*\* Apr. 29, 2008**

(54) **FAN**

D353,660 S \* 12/1994 Cunning ..... D23/382

D359,116 S \* 6/1995 Marvin et al. .... D23/382

(75) Inventor: **Anthony Smith**, Eindhoven (NL)

(73) Assignee: **Koninklijke Philips Electronics N.V.**,  
Eindhoven (NL)

\* cited by examiner

(\*\*) Term: **14 Years**

*Primary Examiner*—Lisa Lichtenstein

(21) Appl. No.: **29/275,284**

(57) **CLAIM**

(22) Filed: **Dec. 20, 2006**

The ornamental design for a fan, as shown.

(30) **Foreign Application Priority Data**

Jul. 28, 2006 (EM) ..... 000566906-0004

**DESCRIPTION**

(51) **LOC (8) Cl.** ..... **23-04**

(52) **U.S. Cl.** ..... **D23/382**

(58) **Field of Classification Search** ..... D23/382,  
D23/381, 332, 370, 328, 335, 336, 337, 412,  
D23/411; 416/246 R, 247 R, 244 R  
See application file for complete search history.

FIG. 1 is a perspective view showing my design;

FIG. 2 is a front elevational view thereof;

FIG. 3 is a rear elevational view thereof;

FIG. 4 is a right side elevational view thereof,

FIG. 5 is a left side elevational view thereof;

FIG. 6 is a top plan view thereof; and,

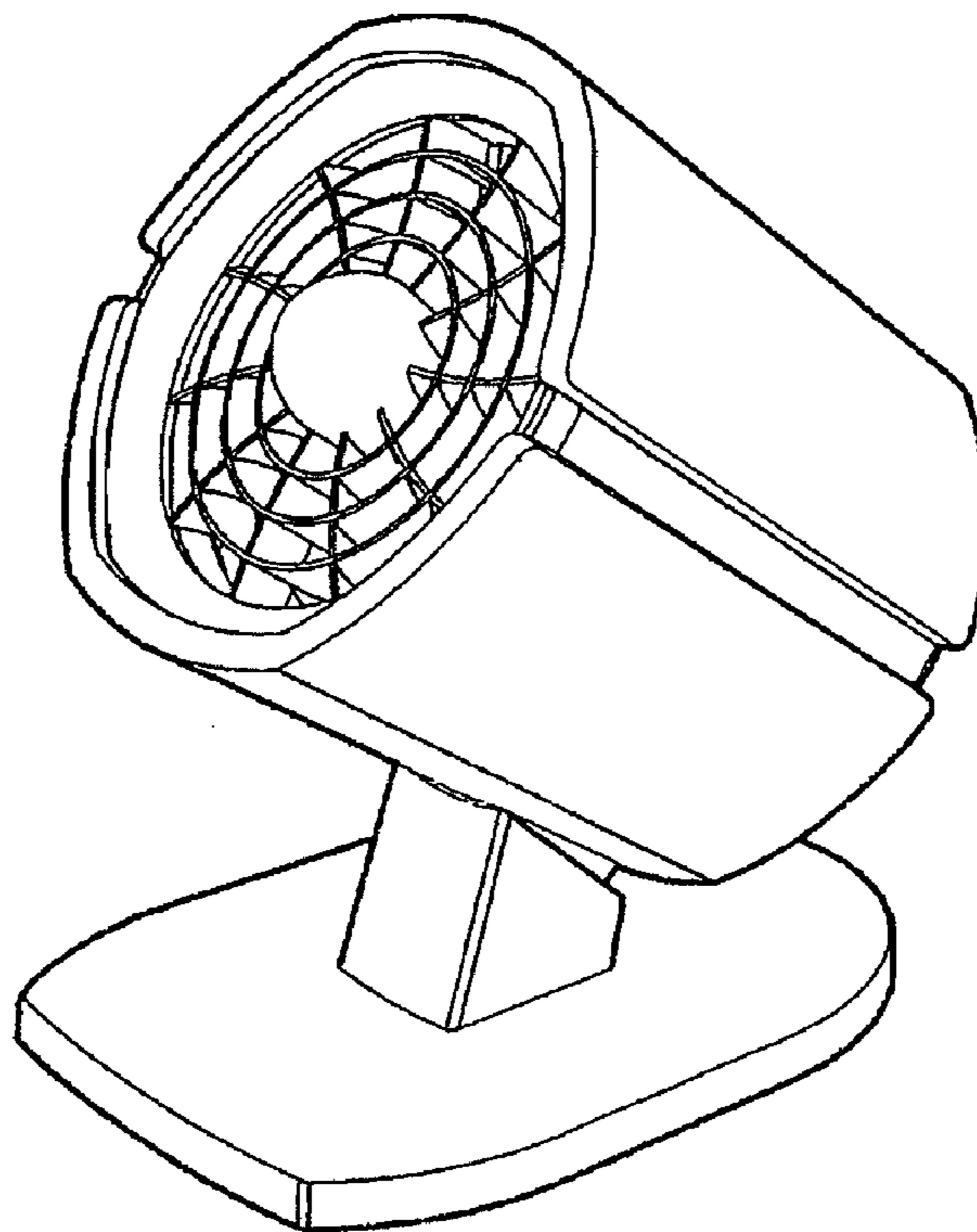
FIG. 7 is a bottom plan view thereof.

(56) **References Cited**

**U.S. PATENT DOCUMENTS**

D276,550 S \* 11/1984 Kouno et al. .... D23/382

**1 Claim, 4 Drawing Sheets**



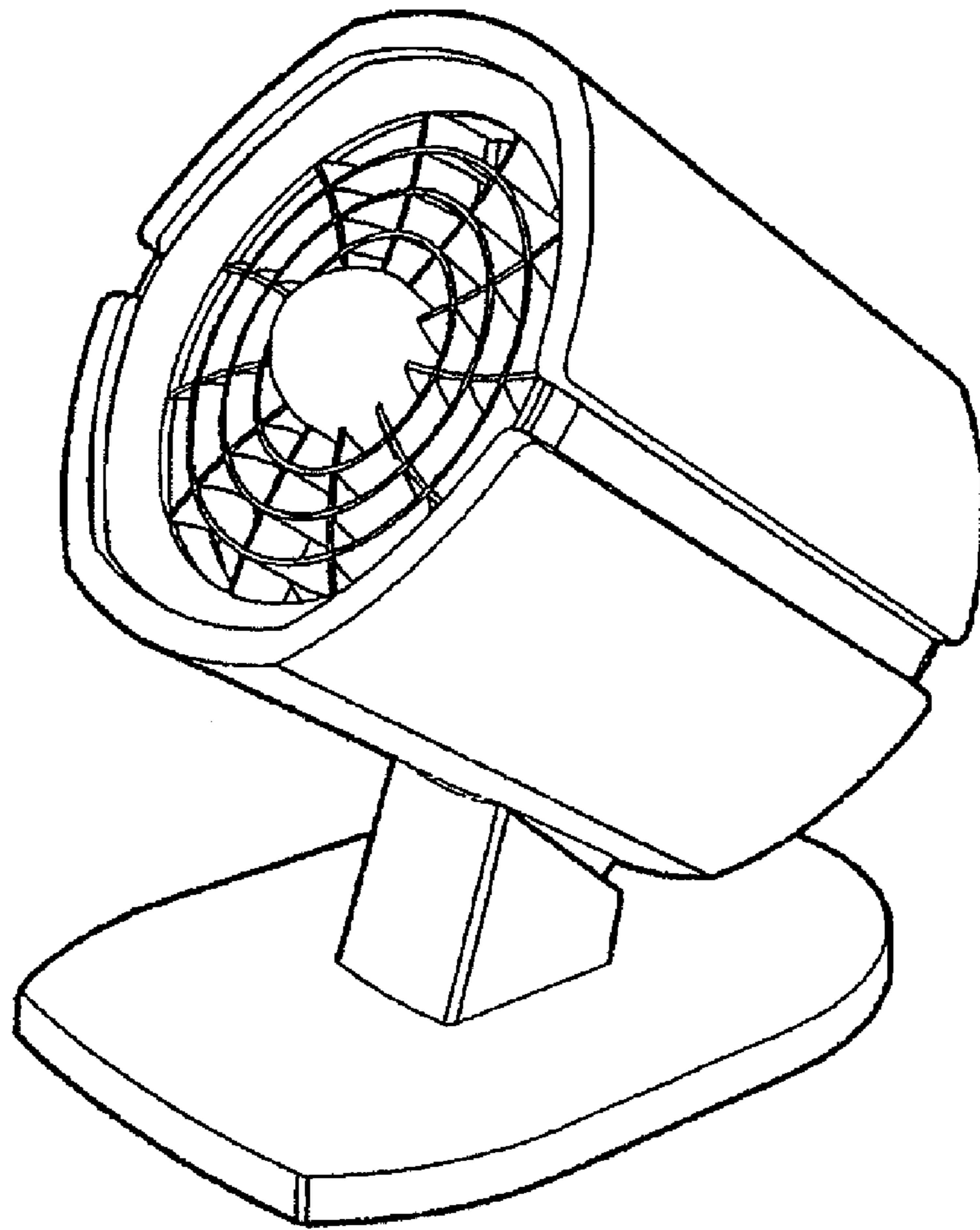


FIG. 1

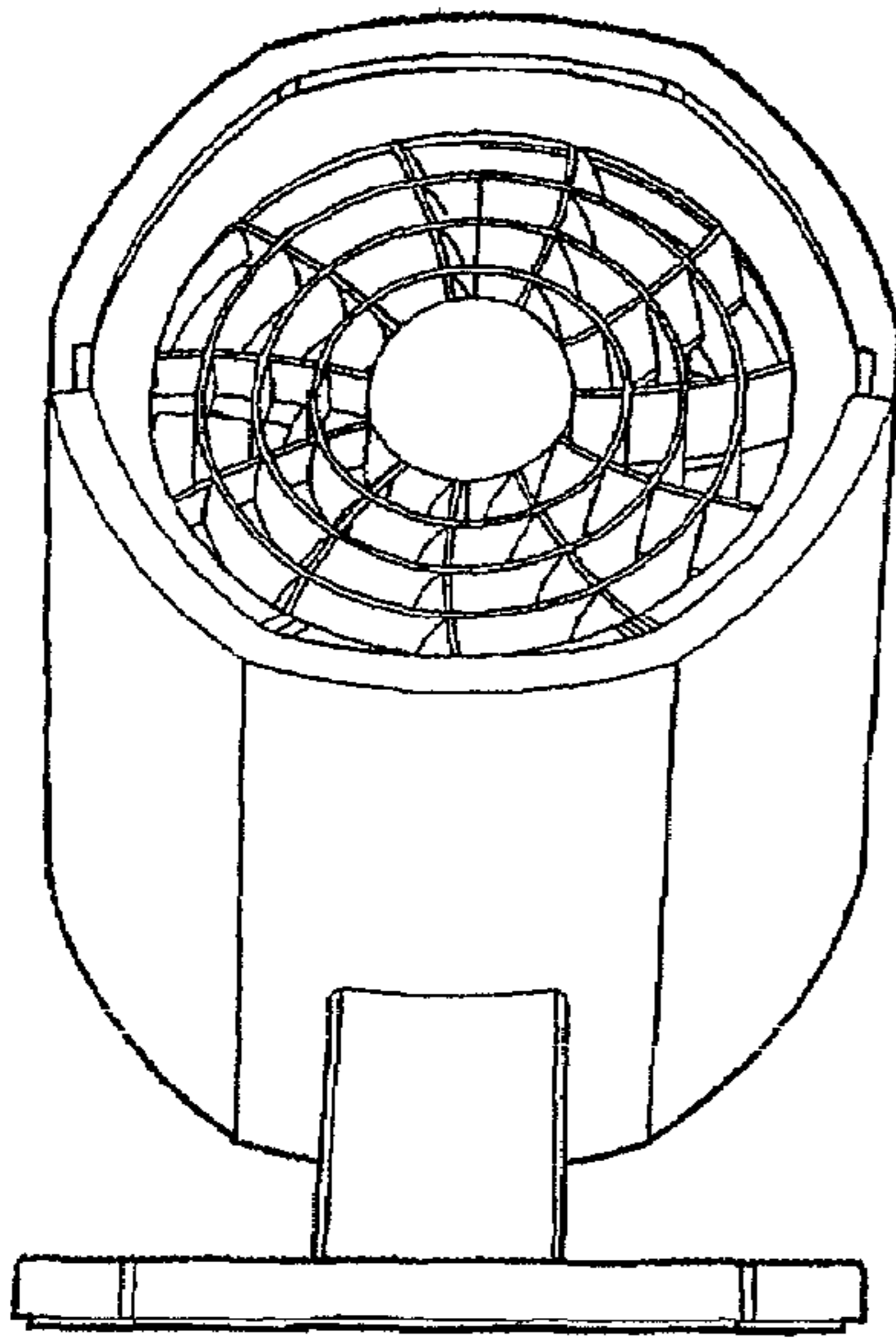


FIG. 2

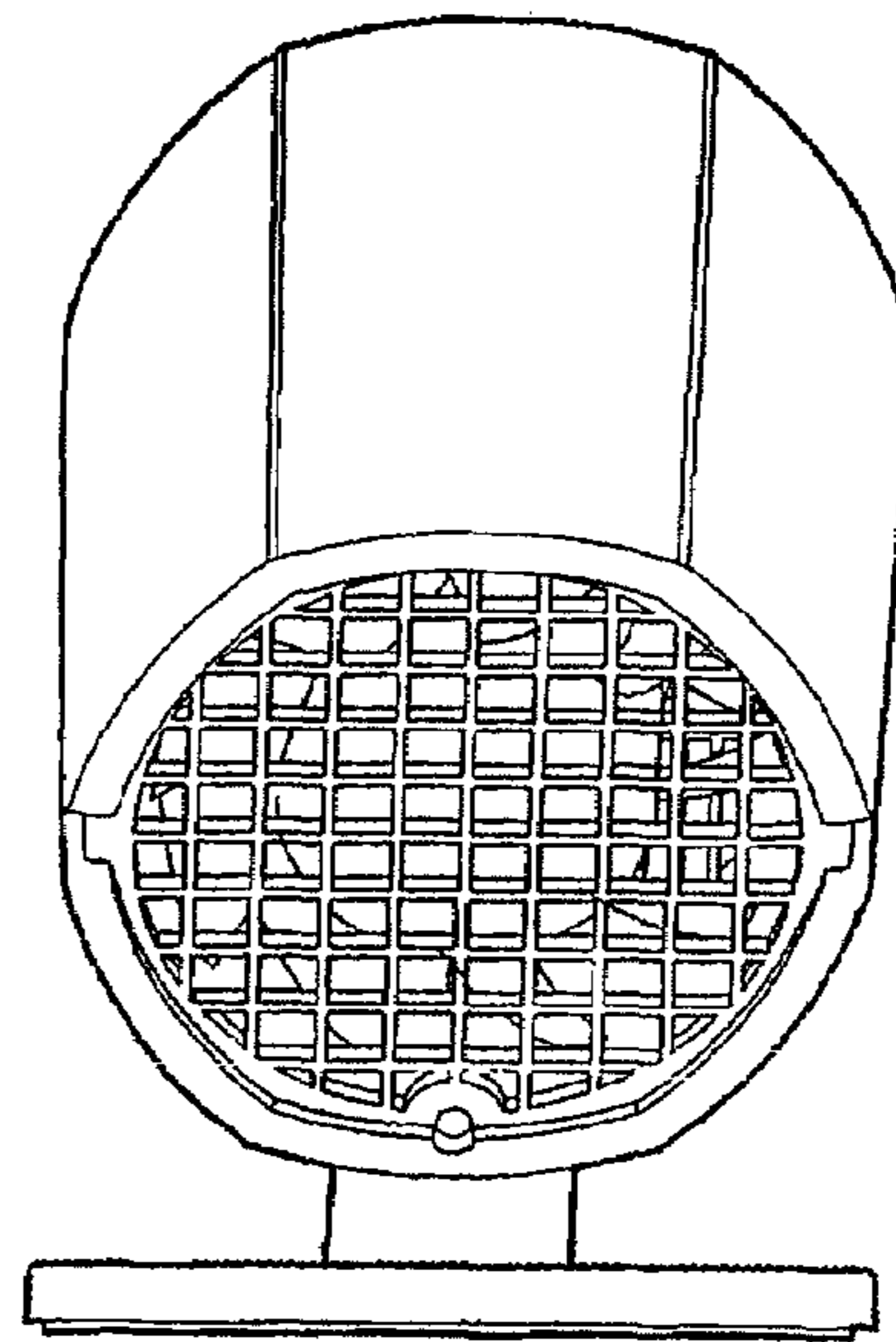


FIG. 3

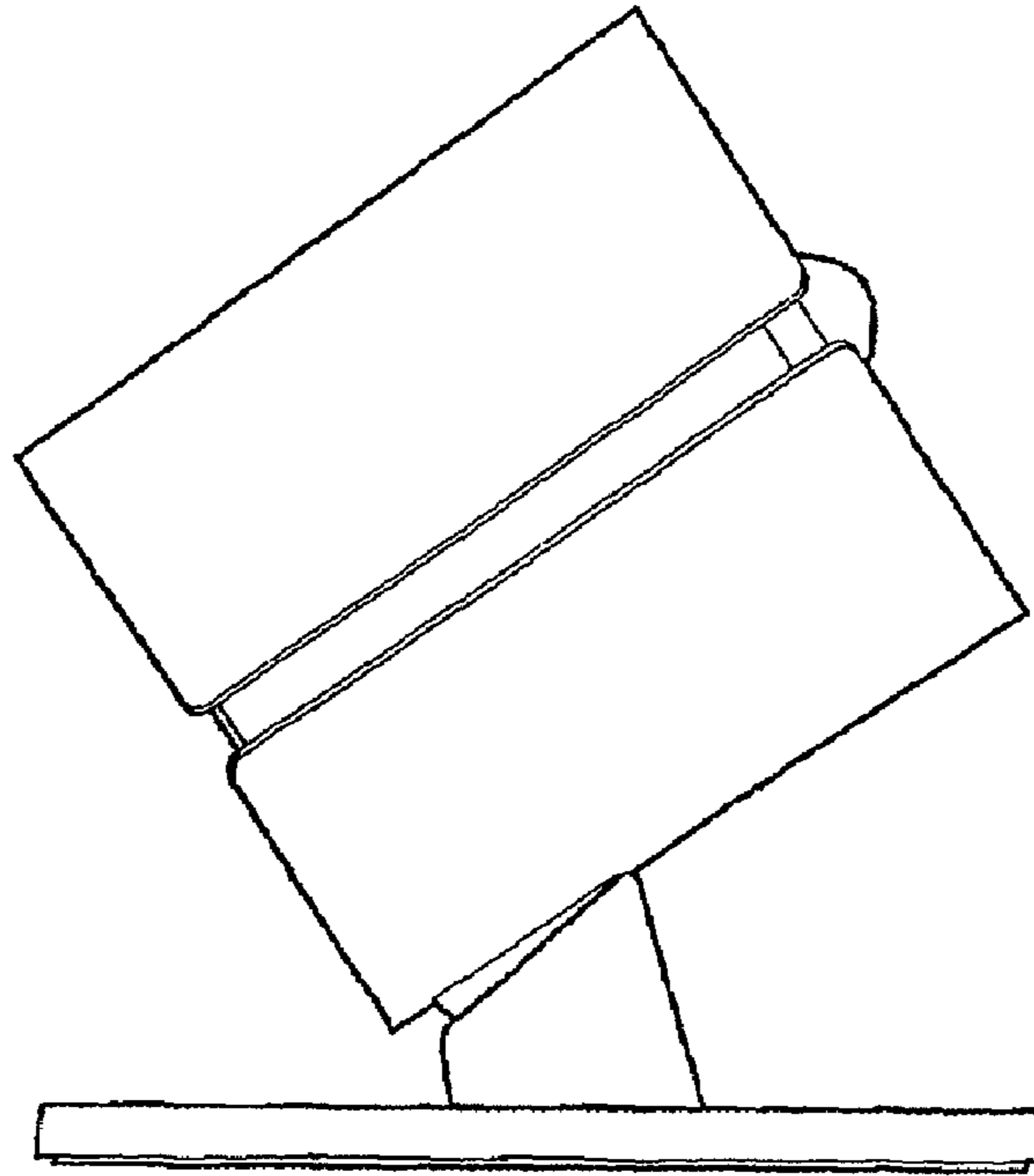


FIG. 4

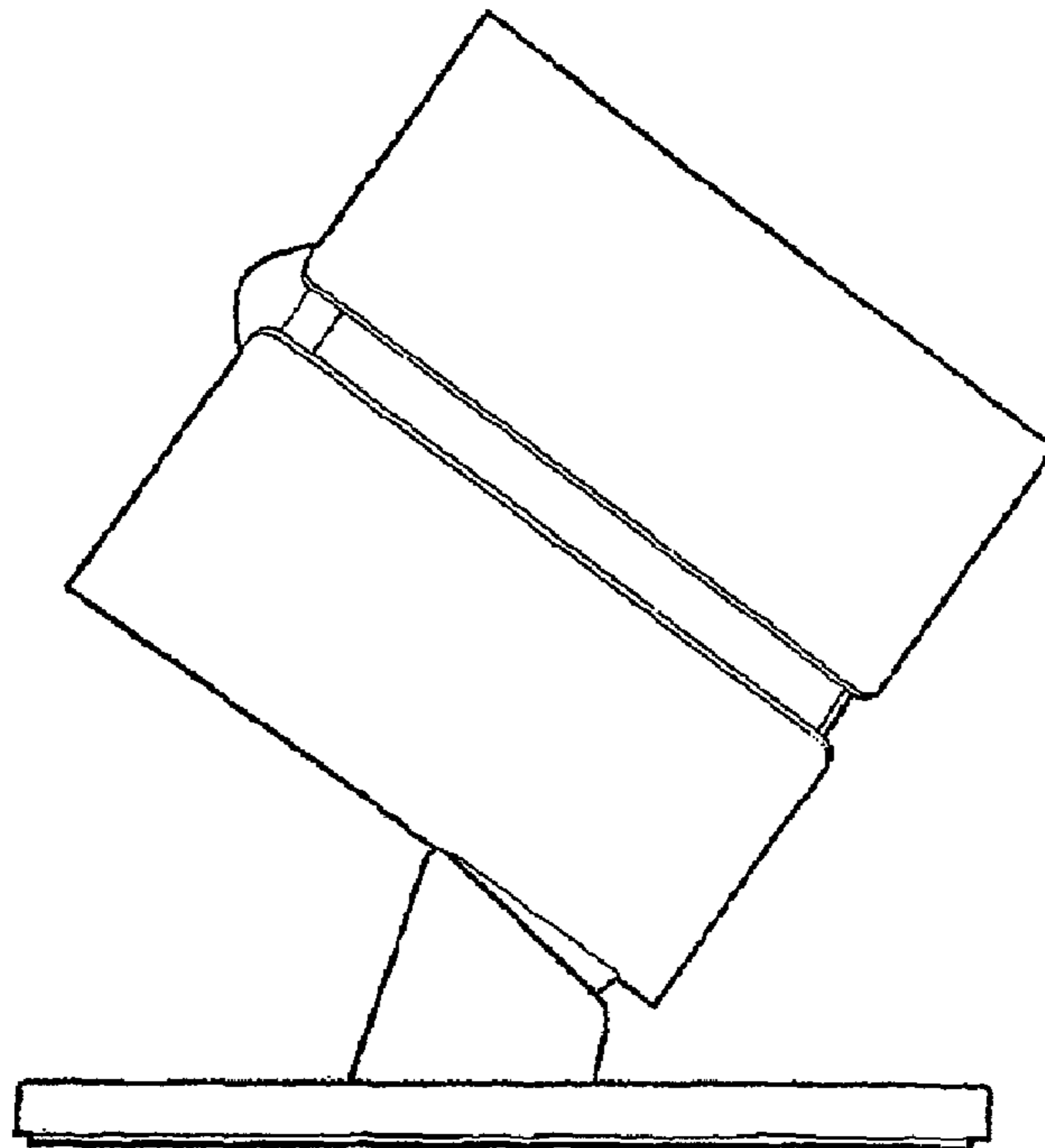


FIG. 5

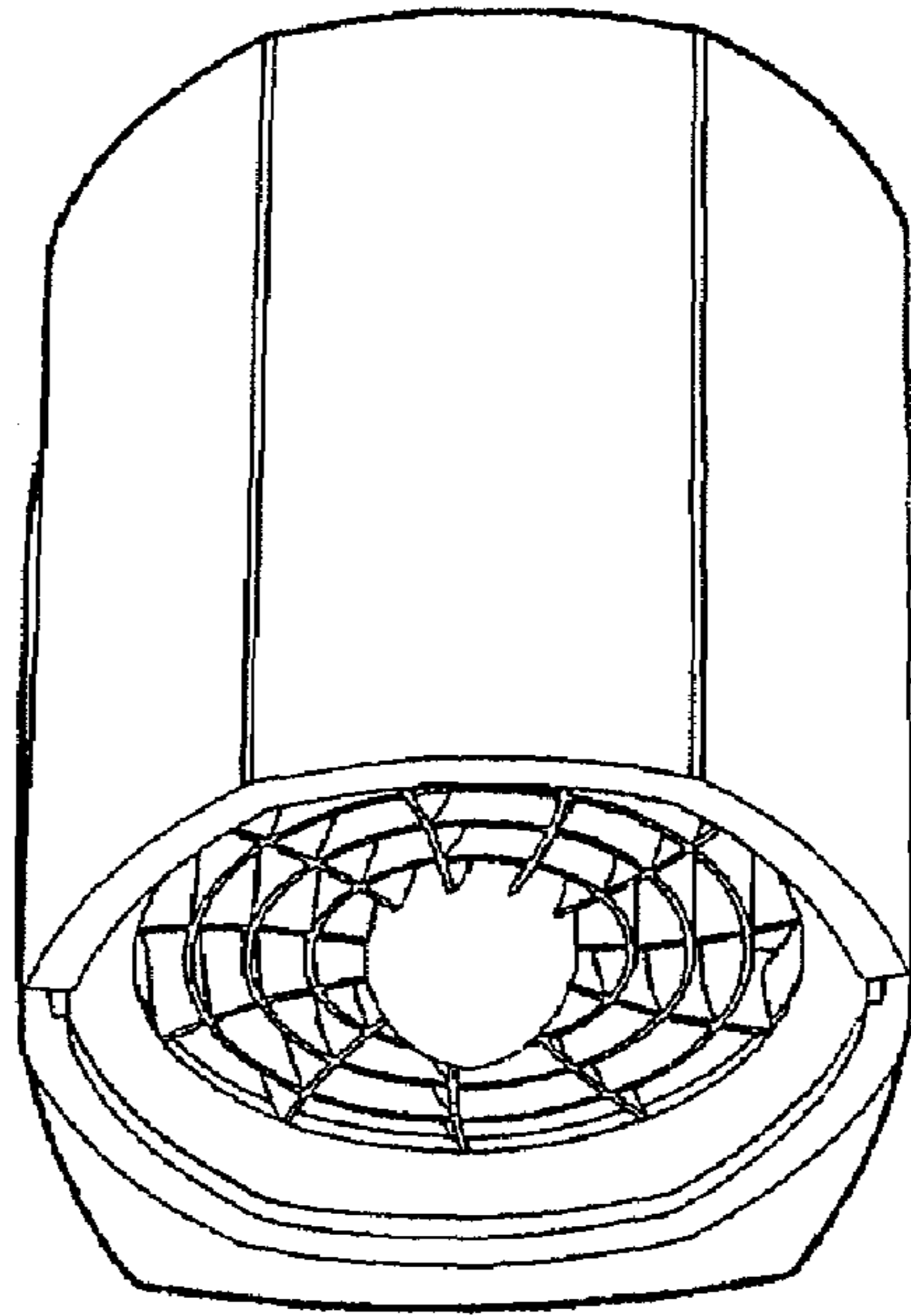


FIG. 6

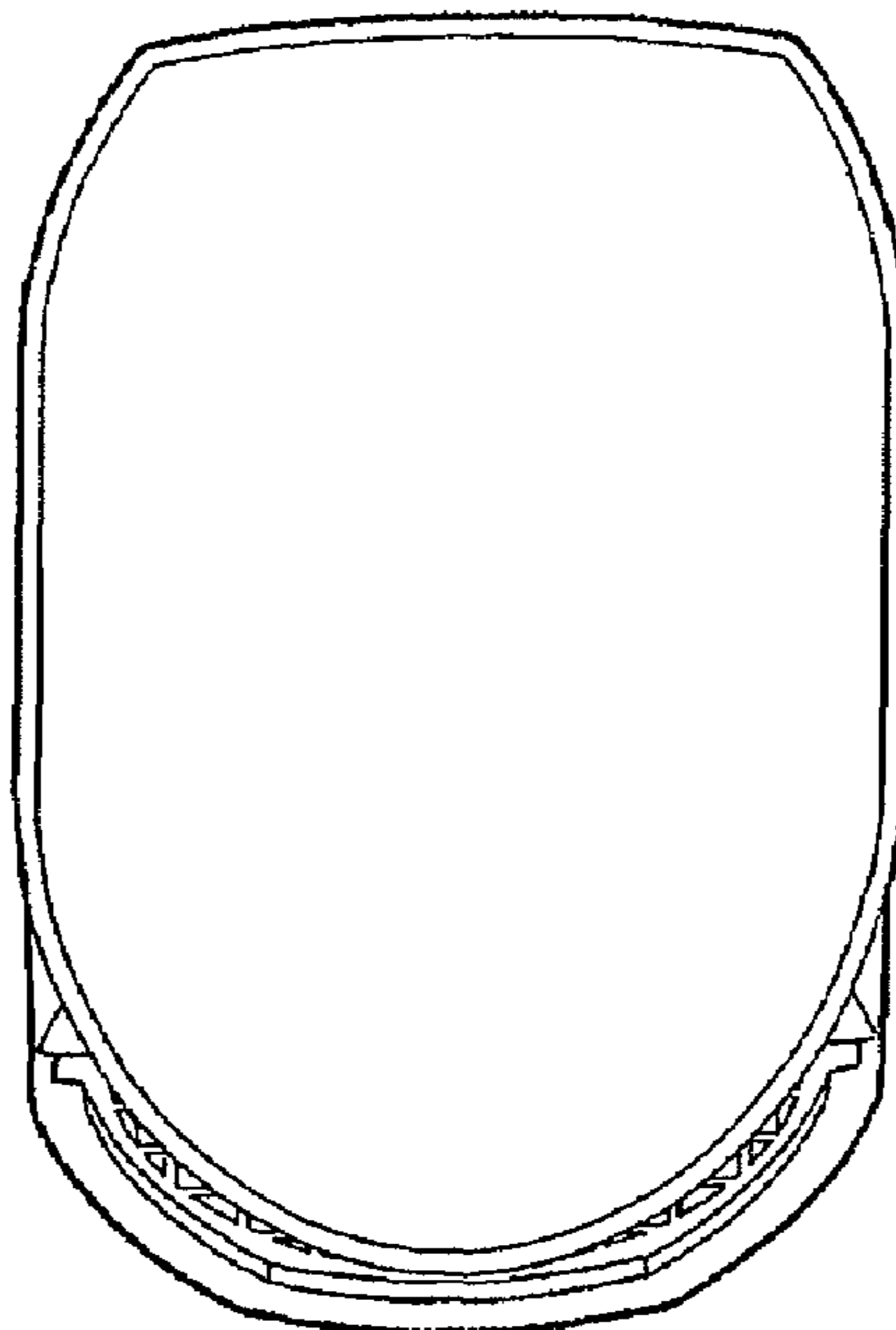


FIG. 7