

US00D567929S

(12) **United States Design Patent**  
**Tse**

(10) **Patent No.:** **US D567,929 S**

(45) **Date of Patent:** **\*\* Apr. 29, 2008**

(54) **RANGE HOOD**

(76) Inventor: **Timothy Tse**, 5271 Merganser Drive,  
Richmond, BC (CA) V7E 3X8

(\*\*) Term: **14 Years**

(21) Appl. No.: **29/246,386**

(22) Filed: **Apr. 5, 2006**

(30) **Foreign Application Priority Data**

Oct. 7, 2005 (CA) ..... 112887

(51) **LOC (8) Cl.** ..... **23-04**

(52) **U.S. Cl.** ..... **D23/372**

(58) **Field of Classification Search** ..... D23/372,  
D23/371, 370; D7/406; 126/299 D, 299 R  
See application file for complete search history.

(56) **References Cited**

**U.S. PATENT DOCUMENTS**

- D375,351 S \* 11/1996 Conforti ..... D23/372
- D380,823 S \* 7/1997 LaZar ..... D23/372
- D465,021 S \* 10/2002 Liou ..... D23/372

\* cited by examiner

*Primary Examiner*—Lisa P Lichtenstein

(74) *Attorney, Agent, or Firm*—C. Larry Kyle; Nexus Law Group LLP

(57) **CLAIM**

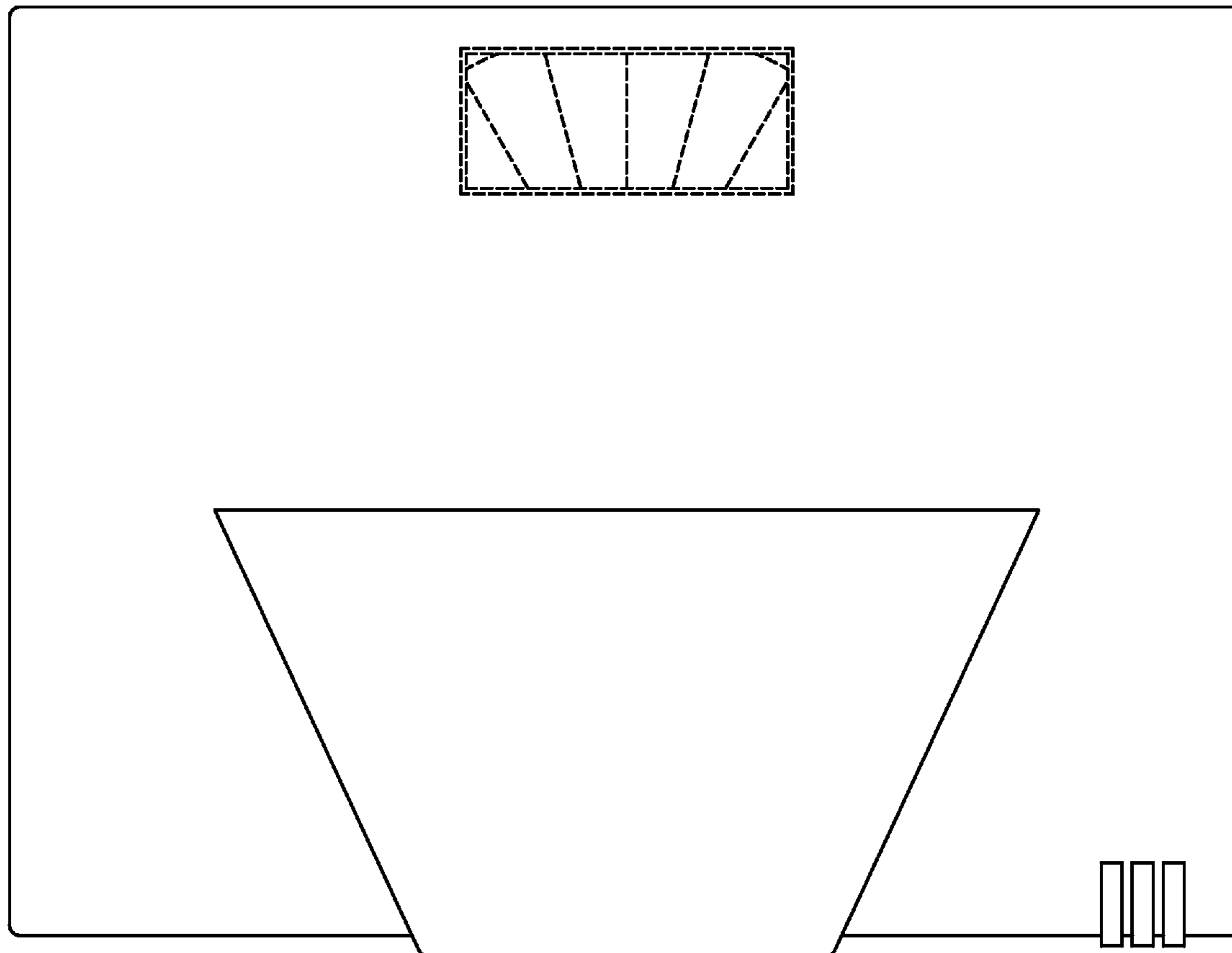
The ornamental design for a range hood, as shown and described.

**DESCRIPTION**

FIG. 1 is a top view of the range hood;  
 FIG. 2 is a bottom view of the range hood;  
 FIG. 3 is a right side view of the range hood;  
 FIG. 4 is a left side view of the range hood;  
 FIG. 5 is a front view of the range hood;  
 FIG. 6 is a rear view of the range hood; and,  
 FIG. 7 is a front perspective view of the range hood.

The broken line showing of portions of a range hood is included for the purpose of illustrating environmental structure and forms no part of the claimed design.

**1 Claim, 5 Drawing Sheets**



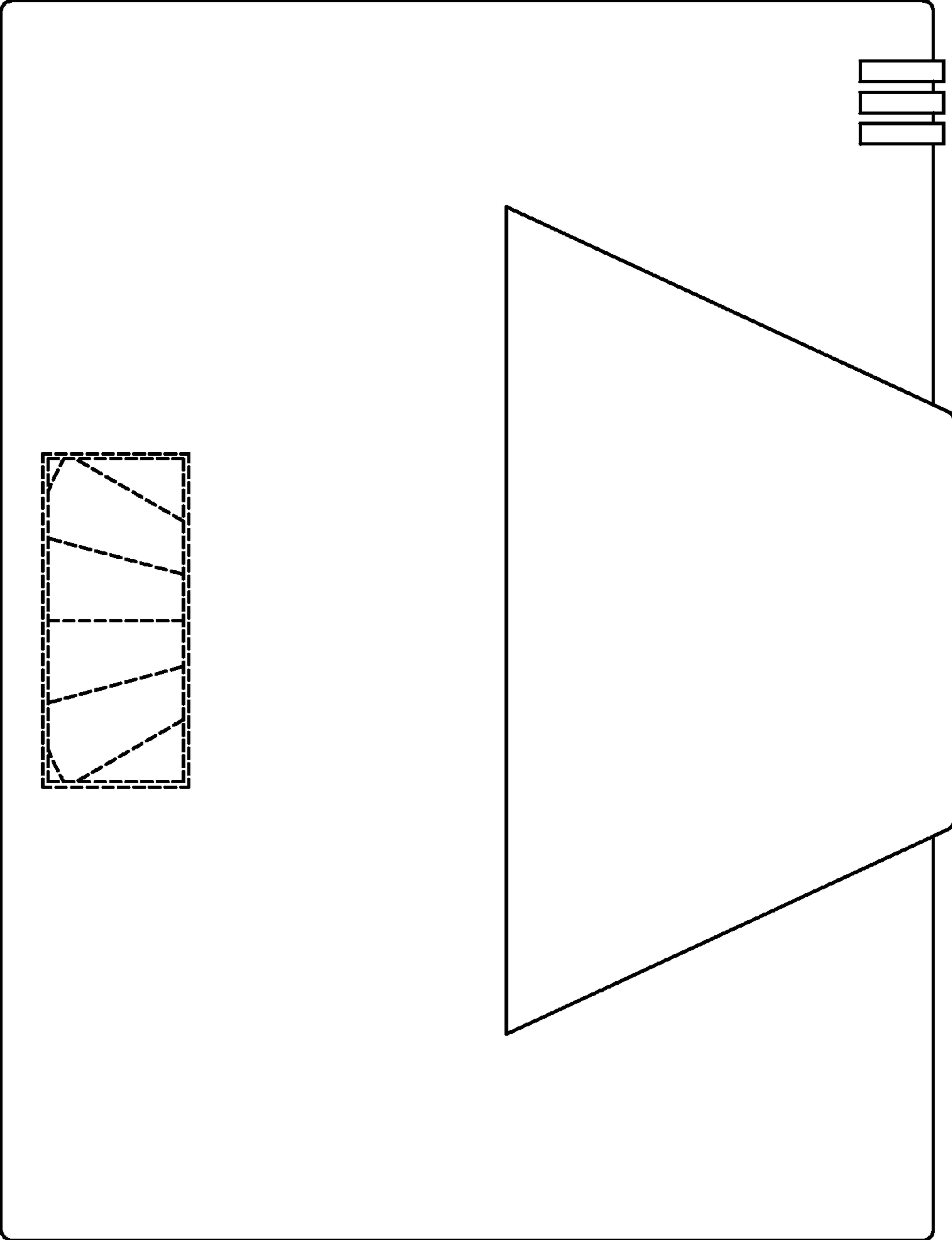


FIG. 1

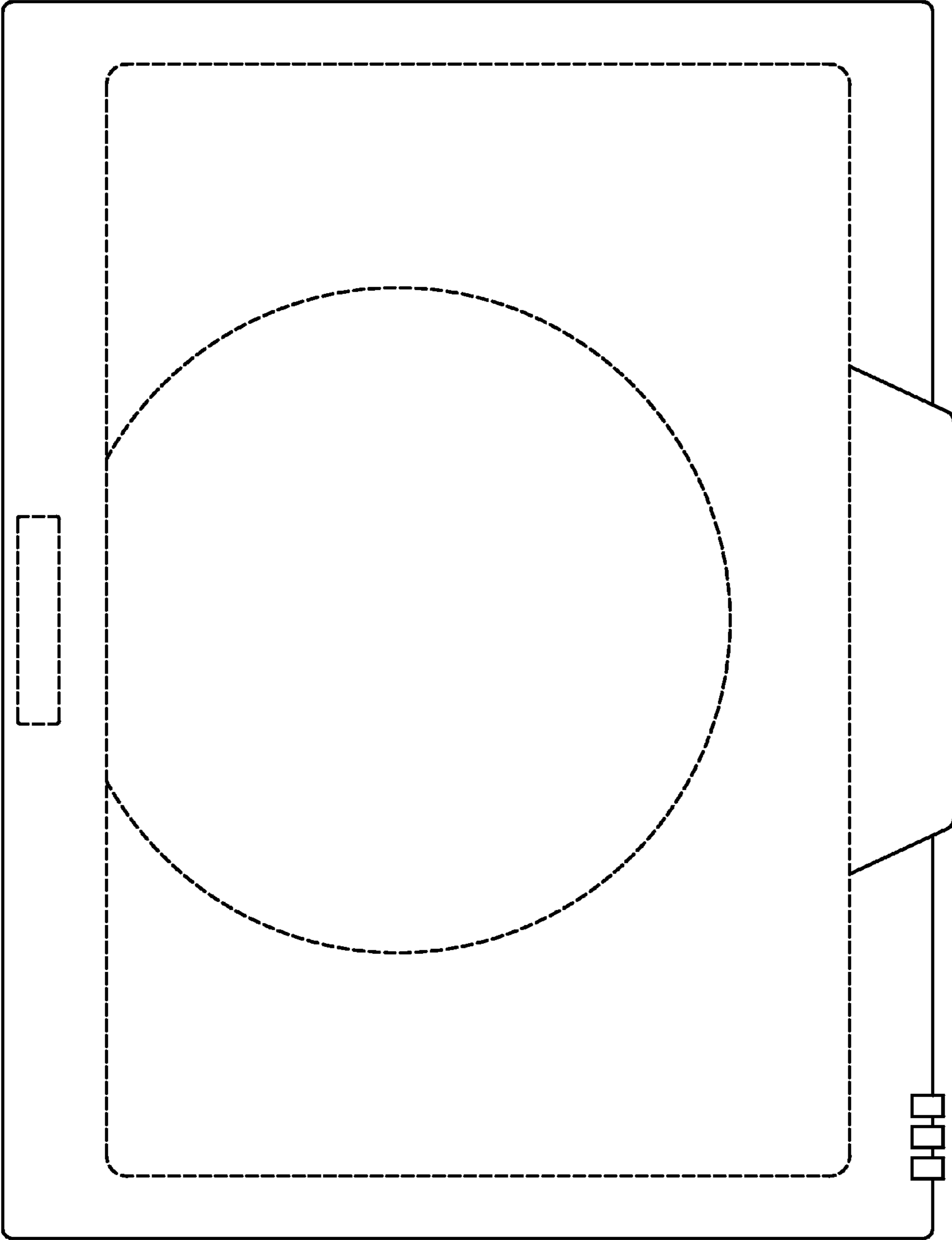


FIG. 2

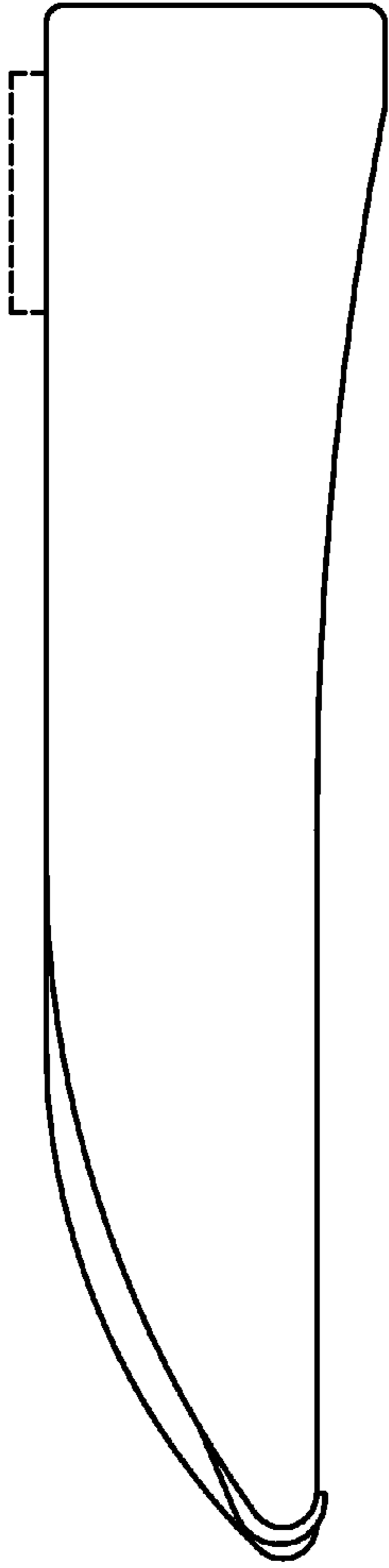


FIG. 3

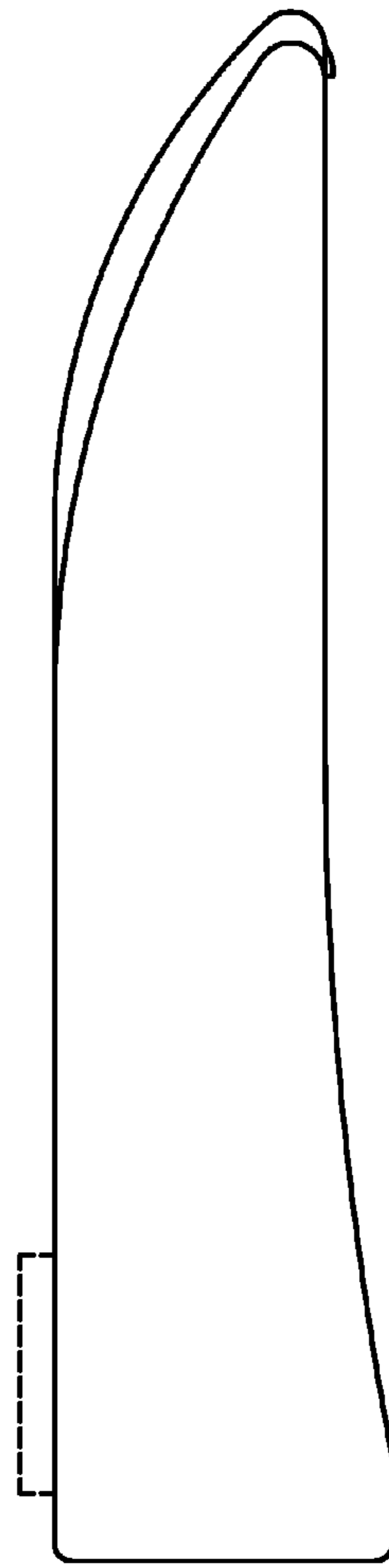


FIG. 4

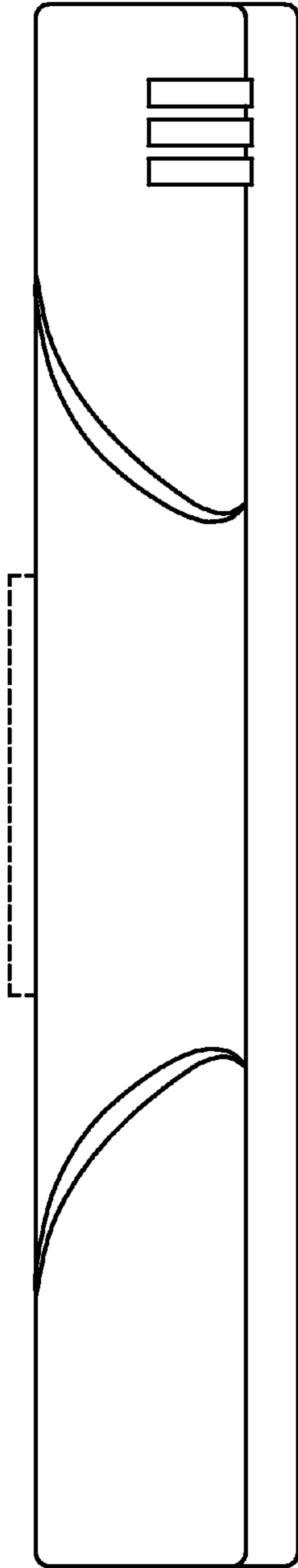


FIG. 5

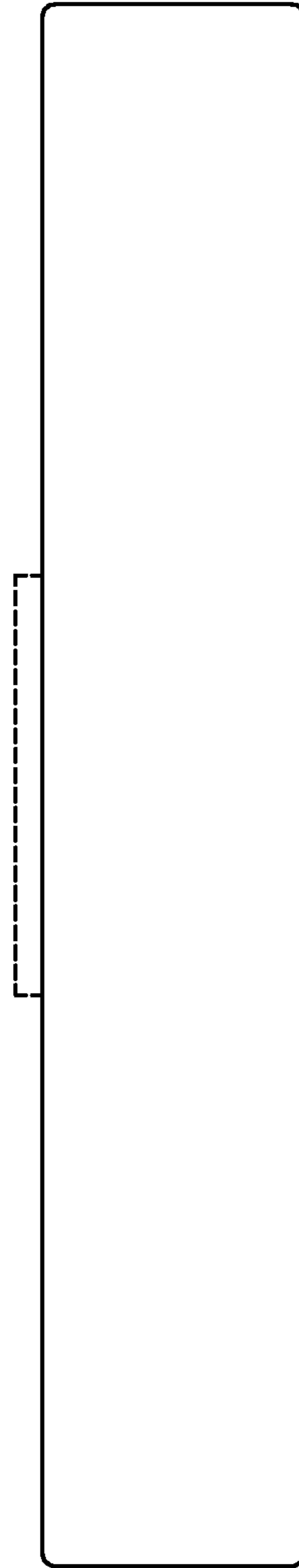


FIG. 6

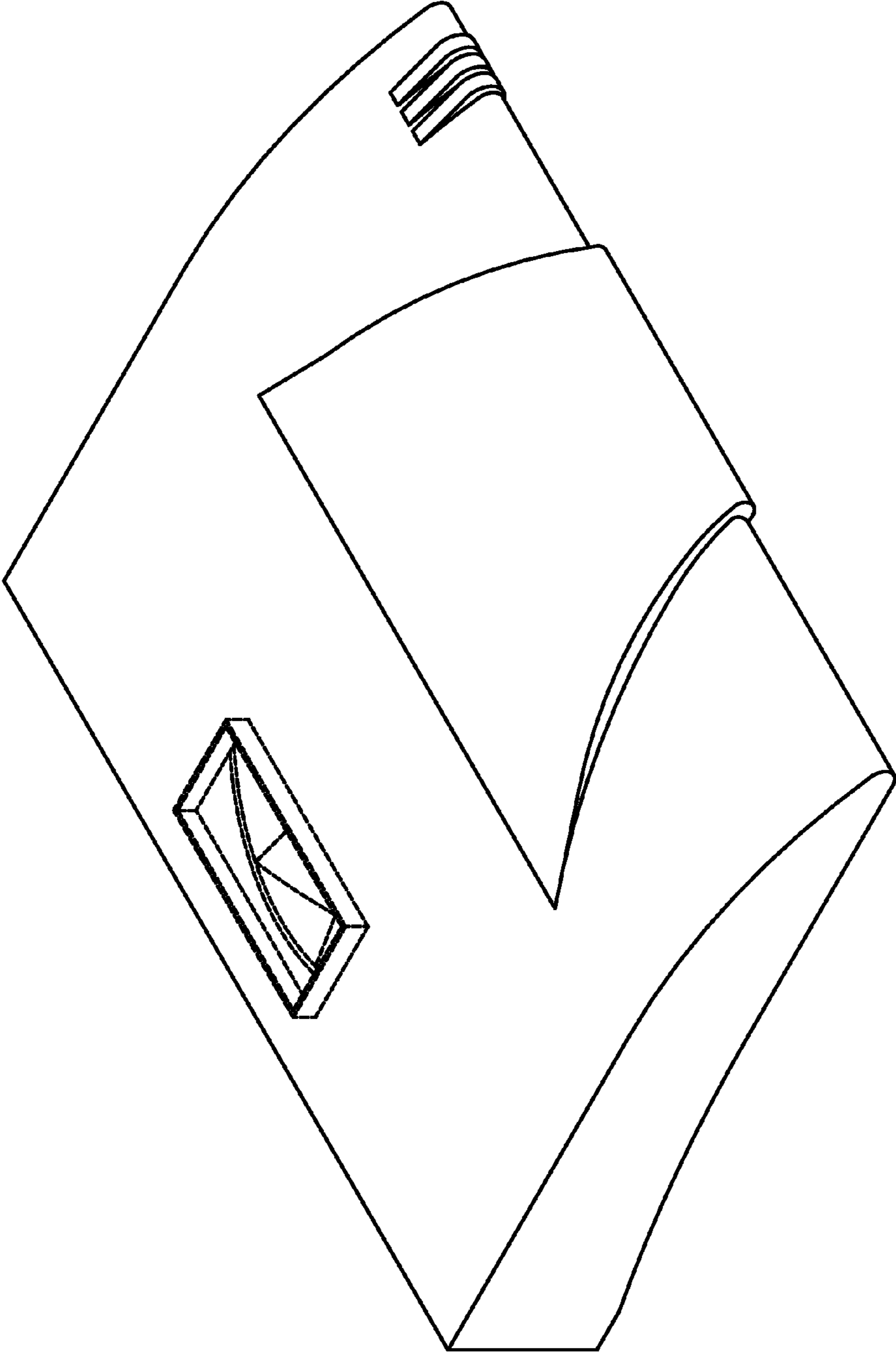


FIG. 7