



US00D567923S

(12) **United States Design Patent**  
**Turchi et al.**

(10) **Patent No.: US D567,923 S**  
(45) **Date of Patent: \*\* Apr. 29, 2008**

(54) **AIR FRESHENER DEVICE**  
(75) Inventors: **Mario Alexander Turchi**, Tenafly, NJ  
(US); **Alex Cantoni**, Leonia, NJ (US)  
(73) Assignee: **Reckitt Benckiser (UK) Limited**,  
Slough-Berkshire (GB)  
(\*\*) Term: **14 Years**  
(21) Appl. No.: **29/278,081**  
(22) Filed: **Mar. 19, 2007**  
(30) **Foreign Application Priority Data**  
Sep. 21, 2006 (EM) ..... 000592902-0006

D487,144 S \* 2/2004 Choke-arpornchai et al. ... D23/  
366  
D491,256 S \* 6/2004 Fellows et al. .... D23/366  
D501,546 S \* 2/2005 Cruver et al. .... D23/366  
D501,921 S \* 2/2005 Caserta et al. .... D23/366  
D502,540 S \* 3/2005 Cruver et al. .... D23/366  
D510,423 S \* 10/2005 Caserta et al. .... D23/366  
D512,136 S \* 11/2005 Wefler ..... D23/366  
D512,769 S \* 12/2005 Wefler ..... D23/366  
6,976,637 B2 \* 12/2005 Massimo ..... 239/44  
D523,129 S \* 6/2006 Caserta et al. .... D23/366  
D533,930 S \* 12/2006 Keller et al. .... D23/366  
RE39,694 E \* 6/2007 Choke-arpornchai et al. ... D23/  
366  
7,244,398 B2 \* 7/2007 Kotary et al. .... 422/124  
2004/0170404 A1 \* 9/2004 Kenney ..... 392/390  
2005/0094988 A1 \* 5/2005 Yip et al. .... 392/395  
2005/0133617 A1 \* 6/2005 Hidalgo et al. .... 239/136

(51) **LOC (8) Cl.** ..... **28-99**  
(52) **U.S. Cl.** ..... **D23/366**  
(58) **Field of Classification Search** ..... 261/DIG. 17,  
261/DIG. 42, DIG. 65, DIG. 88, DIG. 89;  
D23/355-369; D28/5, 6; 392/386, 401,  
392/390, 394; 239/34-35, 41-44, 53-60,  
239/136, 326  
See application file for complete search history.

\* cited by examiner

*Primary Examiner*—Sandra Snapp

(57) **CLAIM**

The ornamental design for an air freshener device, as shown and described.

**DESCRIPTION**

FIG. 1 is a front perspective view of an air freshener device of the present invention;

FIG. 2 is an elevation view of the front thereof;

FIG. 3 is an elevation view of the rear thereof;

FIG. 4 is an elevation view of the left side thereof;

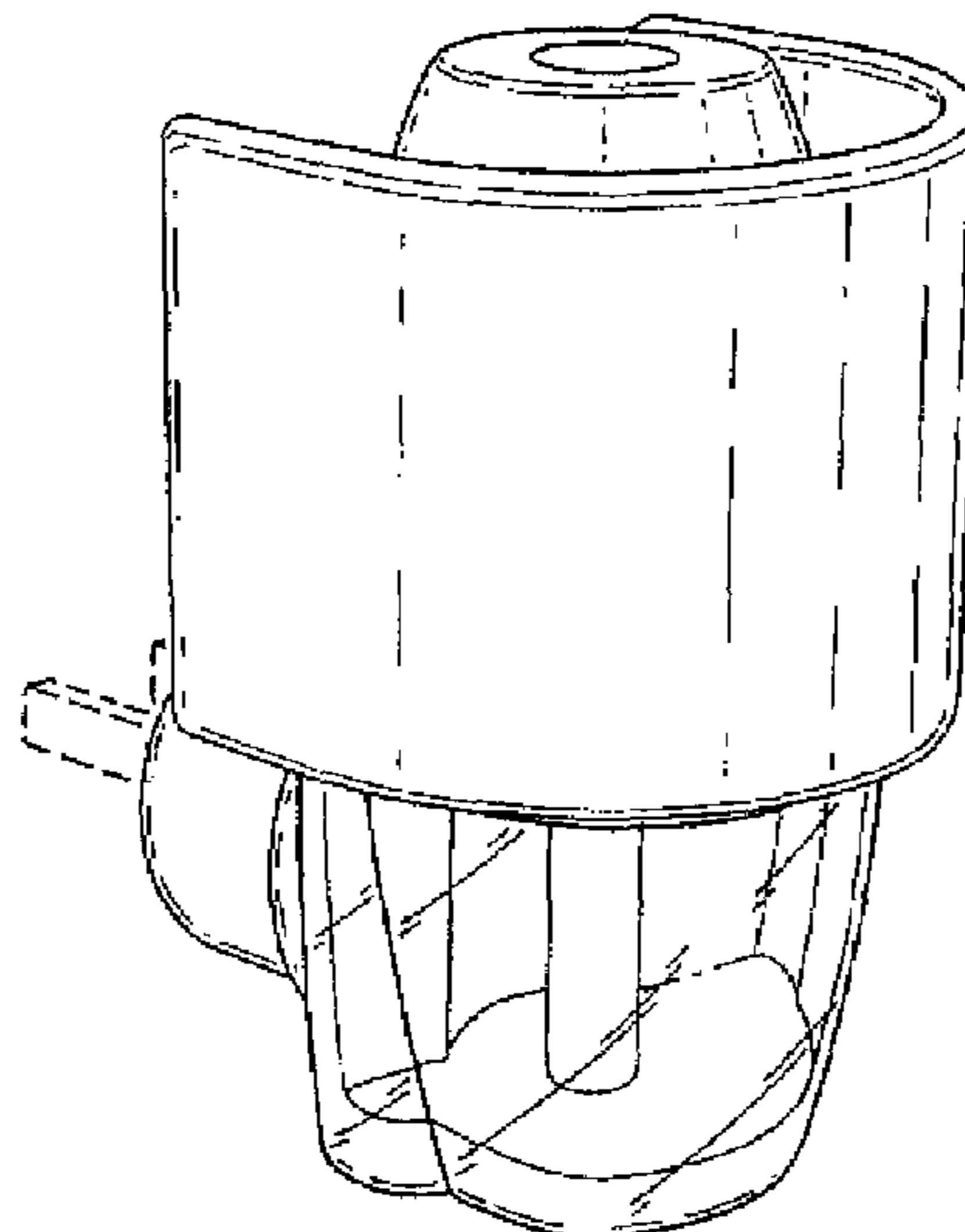
FIG. 5 is a plan view of the top thereof; and,

FIG. 6 is plan view of the bottom thereof.

The broken lines shown in the drawings are for illustrative purposes only and form no part of the claimed design.

(56) **References Cited**  
U.S. PATENT DOCUMENTS  
D393,063 S \* 3/1998 Wefler ..... D23/366  
6,104,897 A \* 8/2000 Ishizawa ..... 399/119  
D432,222 S \* 10/2000 Rymer et al. .... D23/366  
D433,744 S \* 11/2000 Basaganas ..... D23/366  
D437,636 S \* 2/2001 Basaganas ..... D23/366  
D462,755 S \* 9/2002 Basaganas Millan ..... D23/366  
D466,204 S \* 11/2002 Wolpert et al. .... D23/366  
D469,862 S \* 2/2003 Cruver, IV et al. .... D23/366  
D473,638 S \* 4/2003 Cruver, IV ..... D23/366  
D474,268 S \* 5/2003 Choke-arpornchai et al. ... D23/  
366  
D477,065 S \* 7/2003 Lonczak et al. .... D23/366

**1 Claim, 2 Drawing Sheets**



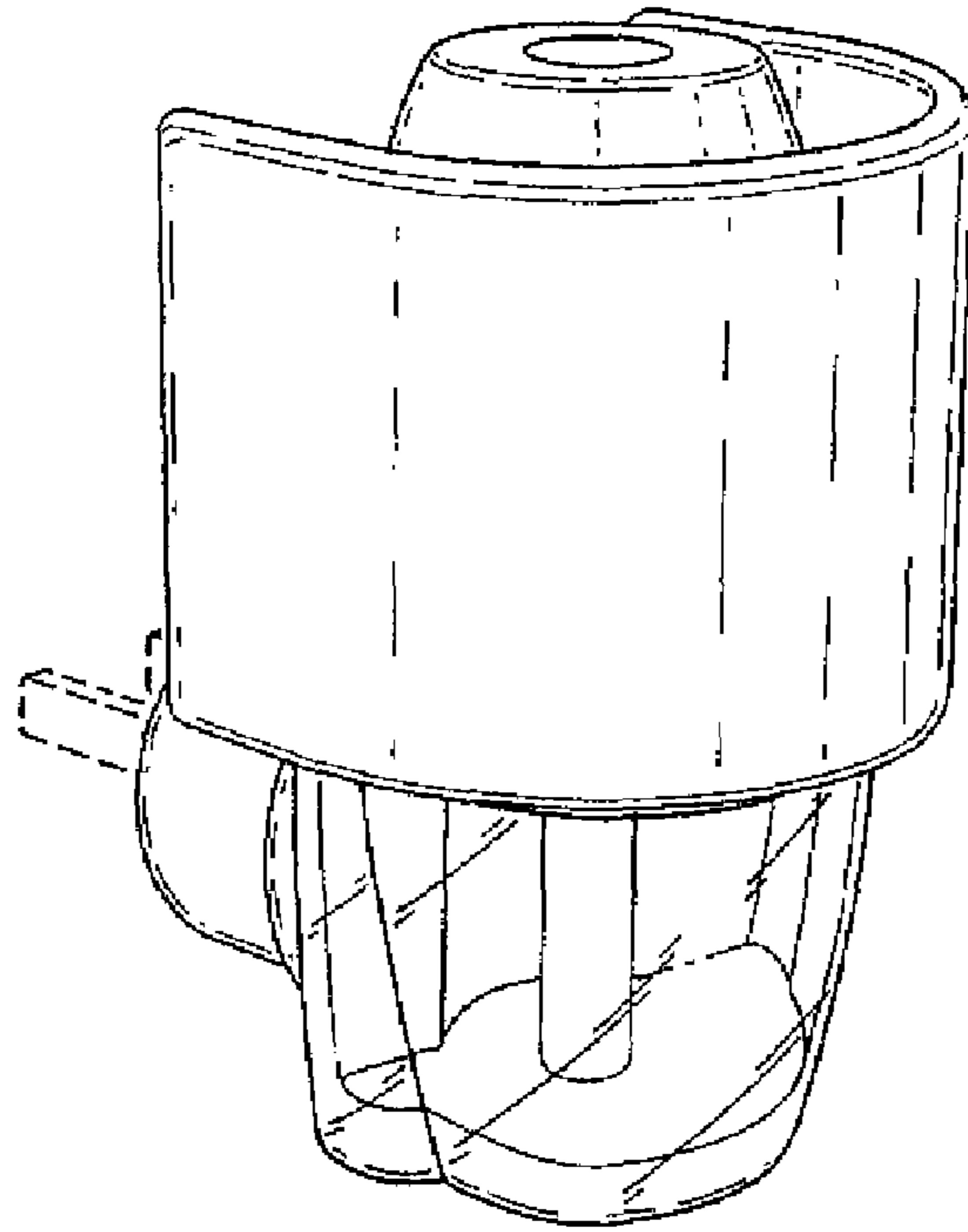


Fig. 1

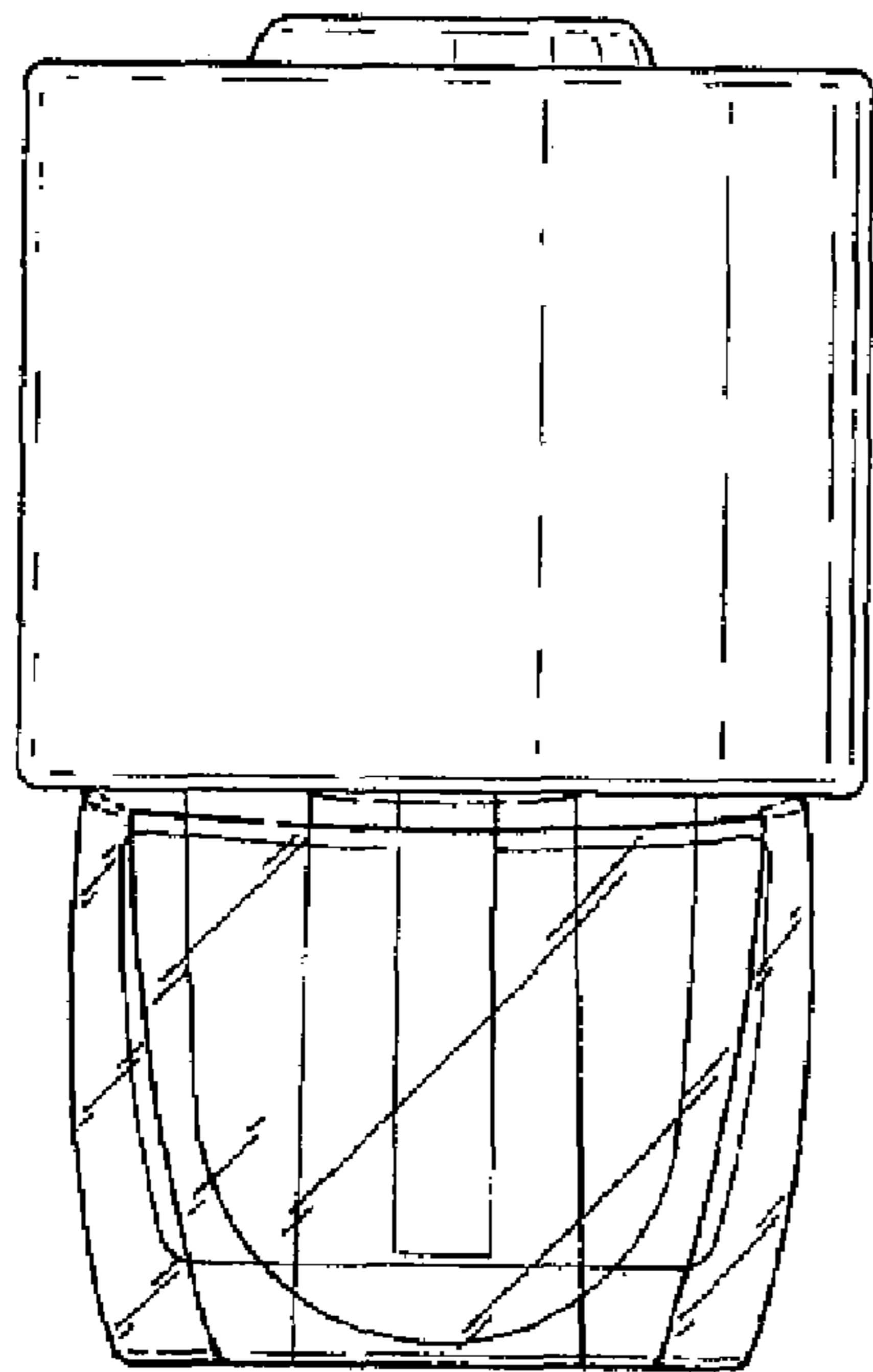


Fig. 2

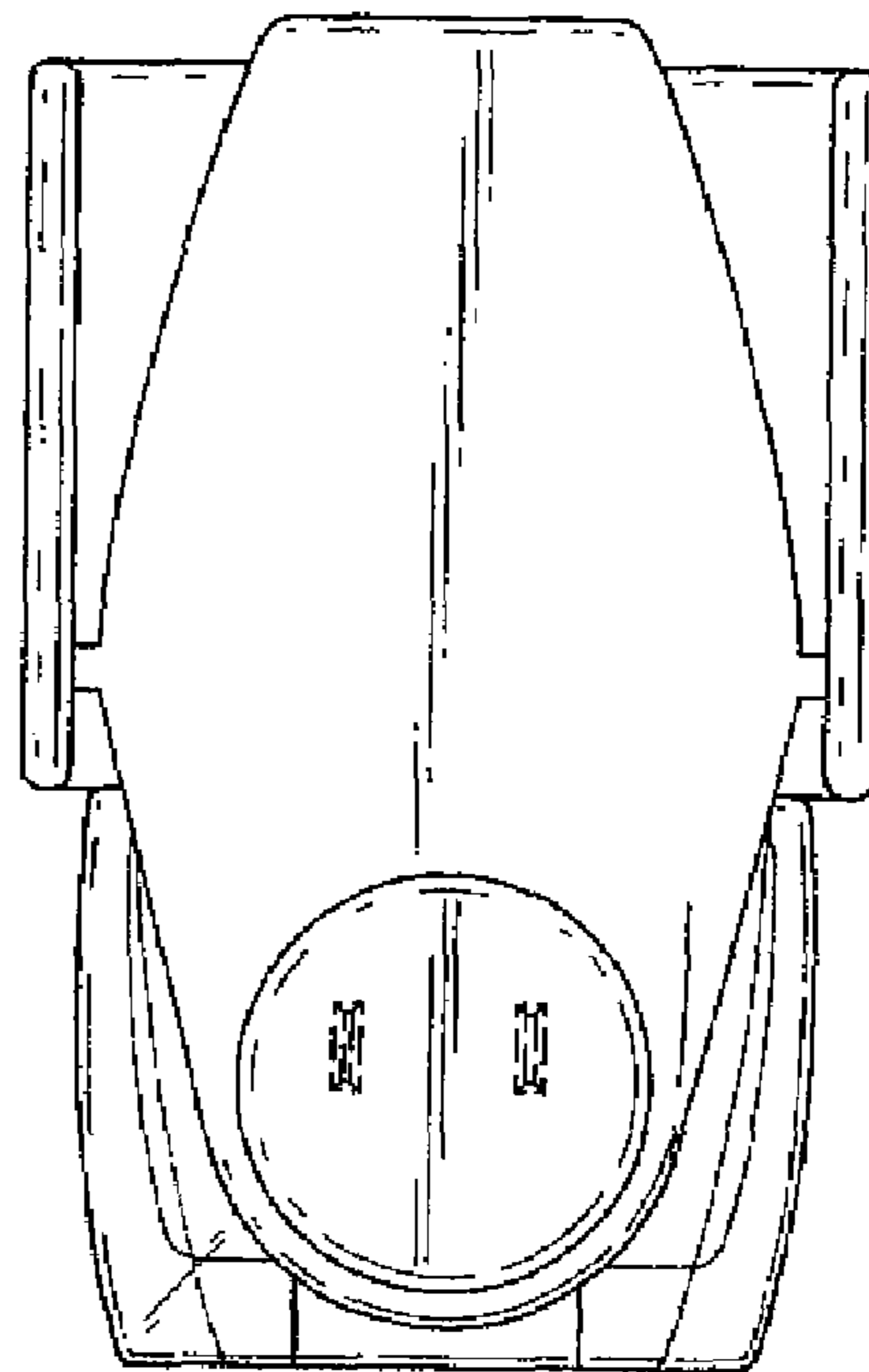


Fig. 3

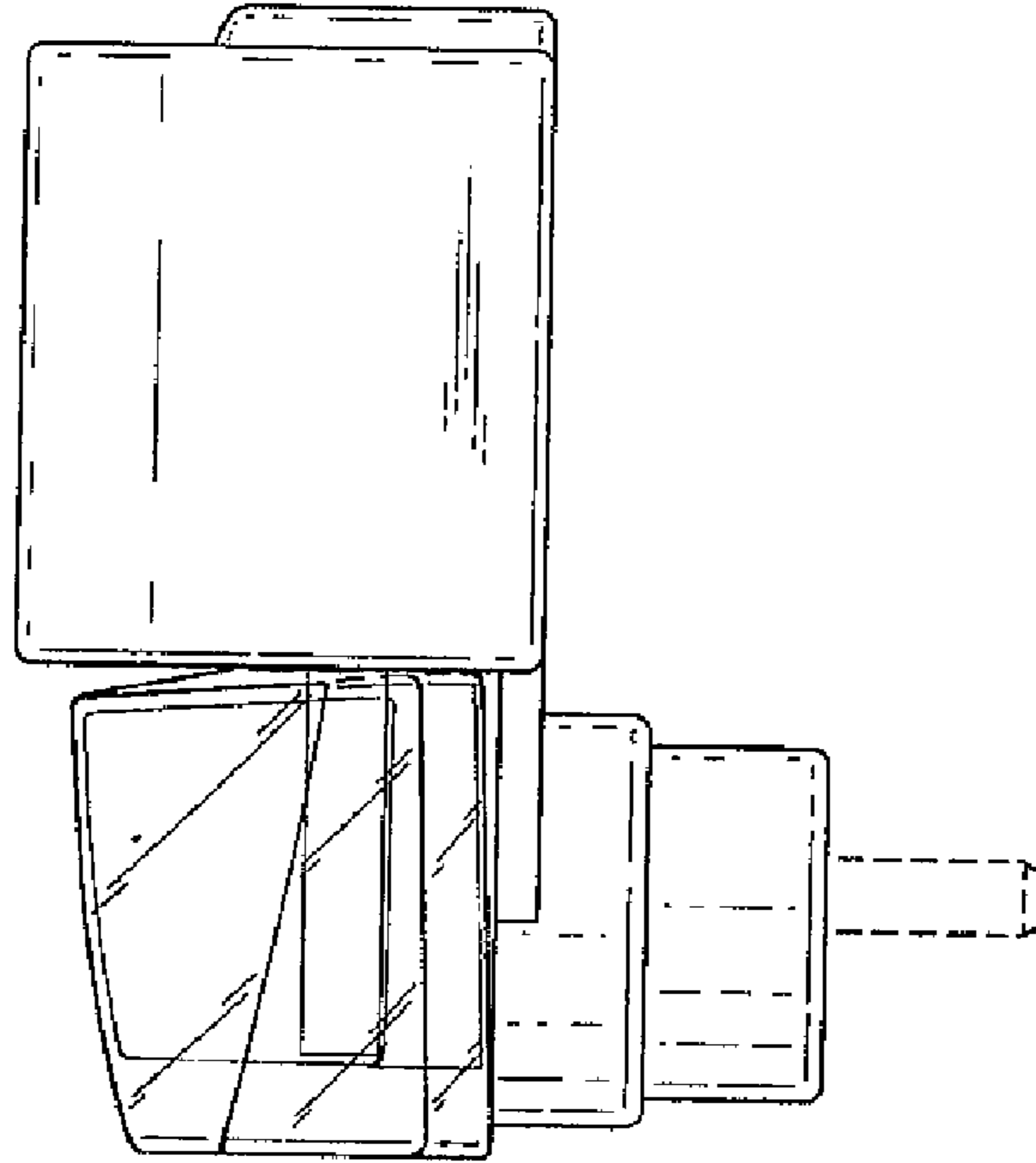


Fig. 4

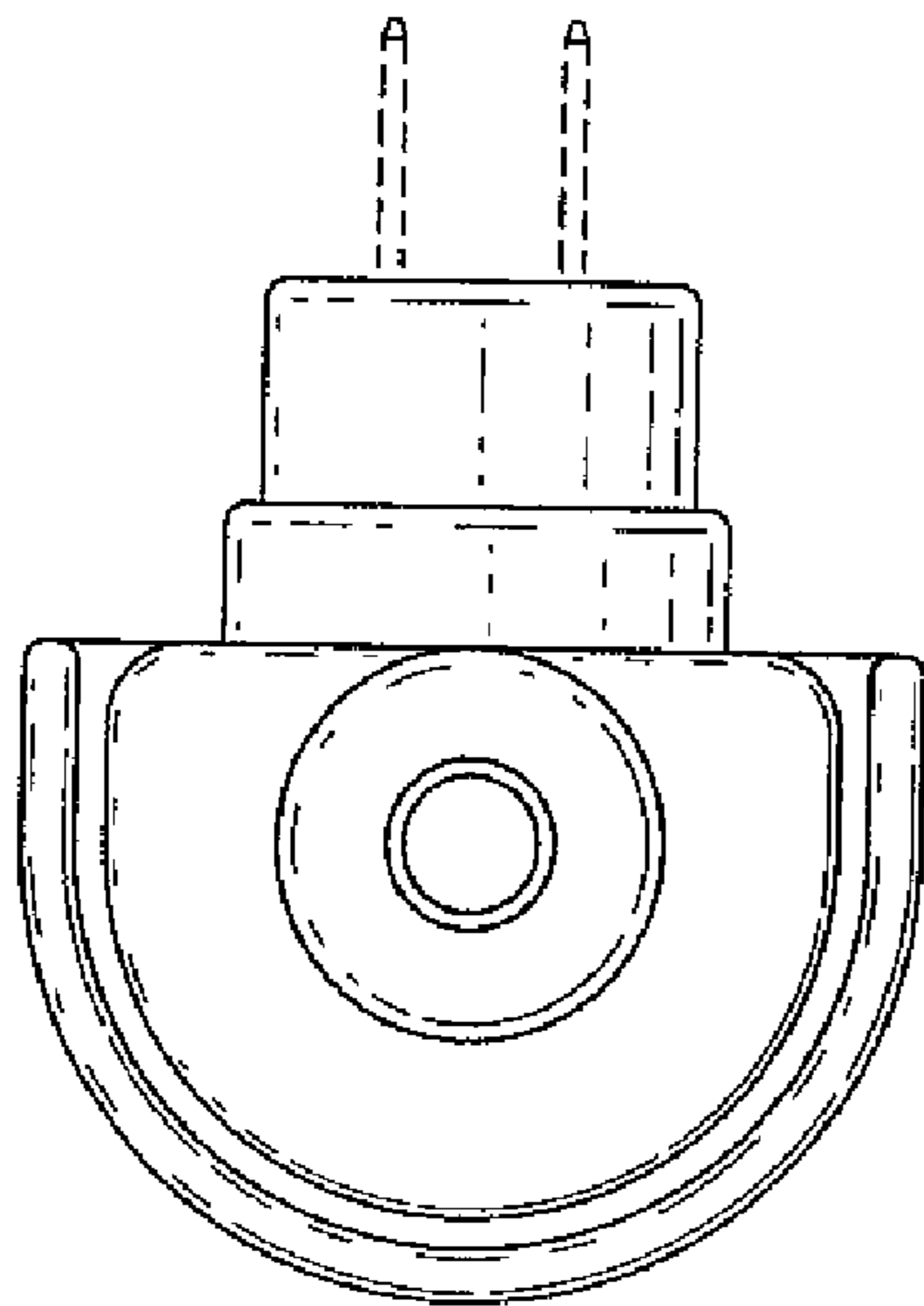


Fig. 5

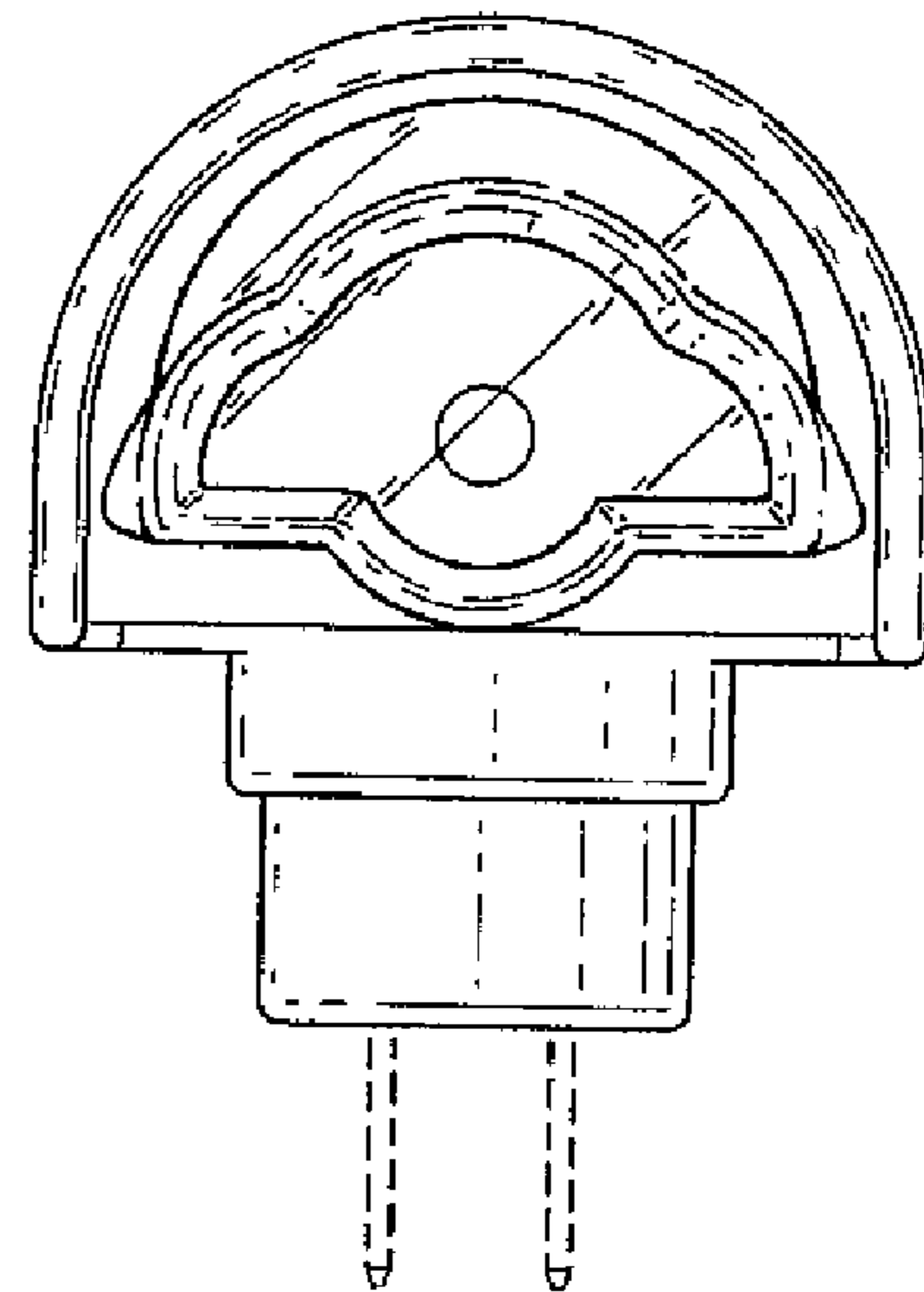


Fig. 6