



US00D567920S

(12) **United States Design Patent**
Cantoni et al.

(10) **Patent No.:** **US D567,920 S**
(45) **Date of Patent:** **** Apr. 29, 2008**

(54) **AIR FRESHENER DEVICE**

(75) Inventors: **Alex Cantoni**, Leonia, NJ (US); **Mario Alexander Turchi**, Tenafly, NJ (US)

(73) Assignee: **Reckitt Benckiser (UK) Limited**, Slough-Berkshire (GB)

(**) Term: **14 Years**

(21) Appl. No.: **29/278,052**

(22) Filed: **Mar. 19, 2007**

(30) **Foreign Application Priority Data**

Sep. 21, 2002 (EM) 000592902-0002

(51) **LOC (8) Cl.** **28-99**

(52) **U.S. Cl.** **D23/366**

(58) **Field of Classification Search** 261/DIG. 17, 261/DIG. 42, DIG. 65, DIG. 88, DIG. 89; D23/355-369; D28/5, 6; 392/386, 401, 392/390-394; 239/34-35, 41-44, 53-60, 239/136, 326
See application file for complete search history.

(56) **References Cited**

U.S. PATENT DOCUMENTS

D393,063	S	*	3/1998	Wefler	D23/366
6,104,897	A	*	8/2000	Ishizawa	399/119
D432,222	S	*	10/2000	Rymer et al.	D23/366
D433,744	S	*	11/2000	Basaganas	D23/366
D437,636	S	*	2/2001	Basaganas	D23/366
D462,755	S	*	9/2002	Basaganas Millan	D23/366
D466,204	S	*	11/2002	Wolpert et al.	D23/366
D469,862	S	*	2/2003	Cruver et al.	D23/366
D473,638	S	*	4/2003	Cruver, IV	D23/366
D474,268	S	*	5/2003	Choke-arpornchai et al.	...	D23/366
D477,065	S	*	7/2003	Lonczak et al.	D23/366
D487,144	S	*	2/2004	Choke-arpornchai et al.	...	D23/366

D491,256	S	*	6/2004	Fellows et al.	D23/366
D501,546	S	*	2/2005	Cruver et al.	D23/366
D501,921	S	*	2/2005	Caserta et al.	D23/366
D502,540	S	*	3/2005	Cruver et al.	D23/366
D510,423	S	*	10/2005	Caserta et al.	D23/366
D512,136	S	*	11/2005	Wefler	D23/366
D512,769	S	*	12/2005	Wefler	D23/366
6,976,637	B2	*	12/2005	Massimo	239/44
D523,129	S	*	6/2006	Caserta et al.	D23/366
D533,930	S	*	12/2006	Keller et al.	D23/366
RE39,694	E	*	6/2007	Choke-arpornchai et al.	...	D23/366
7,244,398	B2	*	7/2007	Kotary et al.	422/124
2003/0194225	A1	*	10/2003	Pedrotti et al.	392/395
2004/0170404	A1	*	9/2004	Kenney	392/390
2005/0094988	A1	*	5/2005	Yip et al.	392/395
2005/0133617	A1	*	6/2005	Hidalgo et al.	239/136

* cited by examiner

Primary Examiner—Sandra Snapp

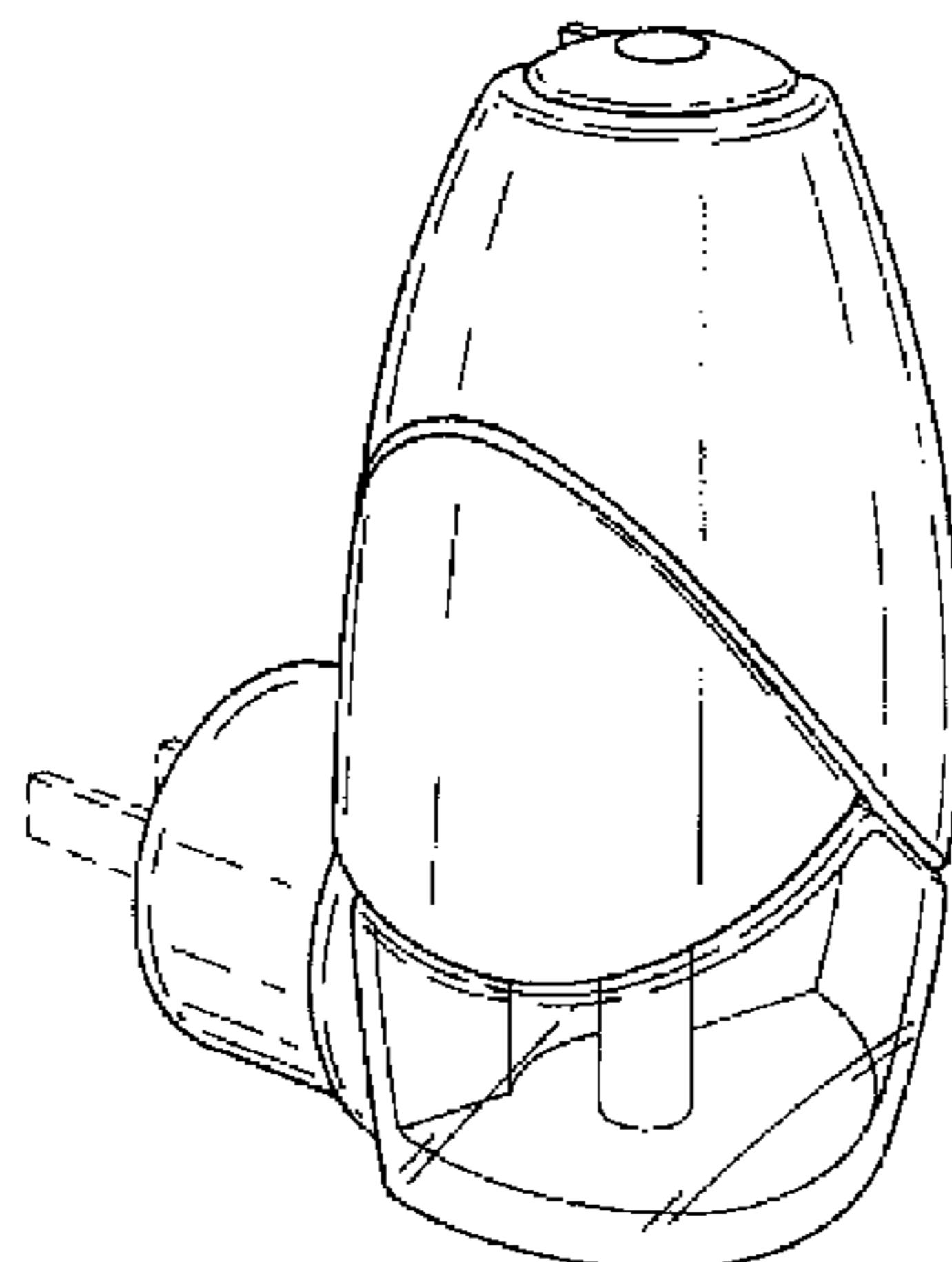
(57) **CLAIM**

The ornamental design for an air freshener device, as shown and described.

DESCRIPTION

FIG. 1 is a front perspective view of an air freshener device of the present invention;
FIG. 2 is an elevation view of the front thereof;
FIG. 3 is an elevation view of the rear thereof;
FIG. 4 is an elevation view of the left side thereof;
FIG. 5 is a plan view of the top thereof; and,
FIG. 6 is plan view of the bottom thereof.
The broken lines shown in the drawings are for illustrative purposes only and form no part of the claimed design.

1 Claim, 2 Drawing Sheets



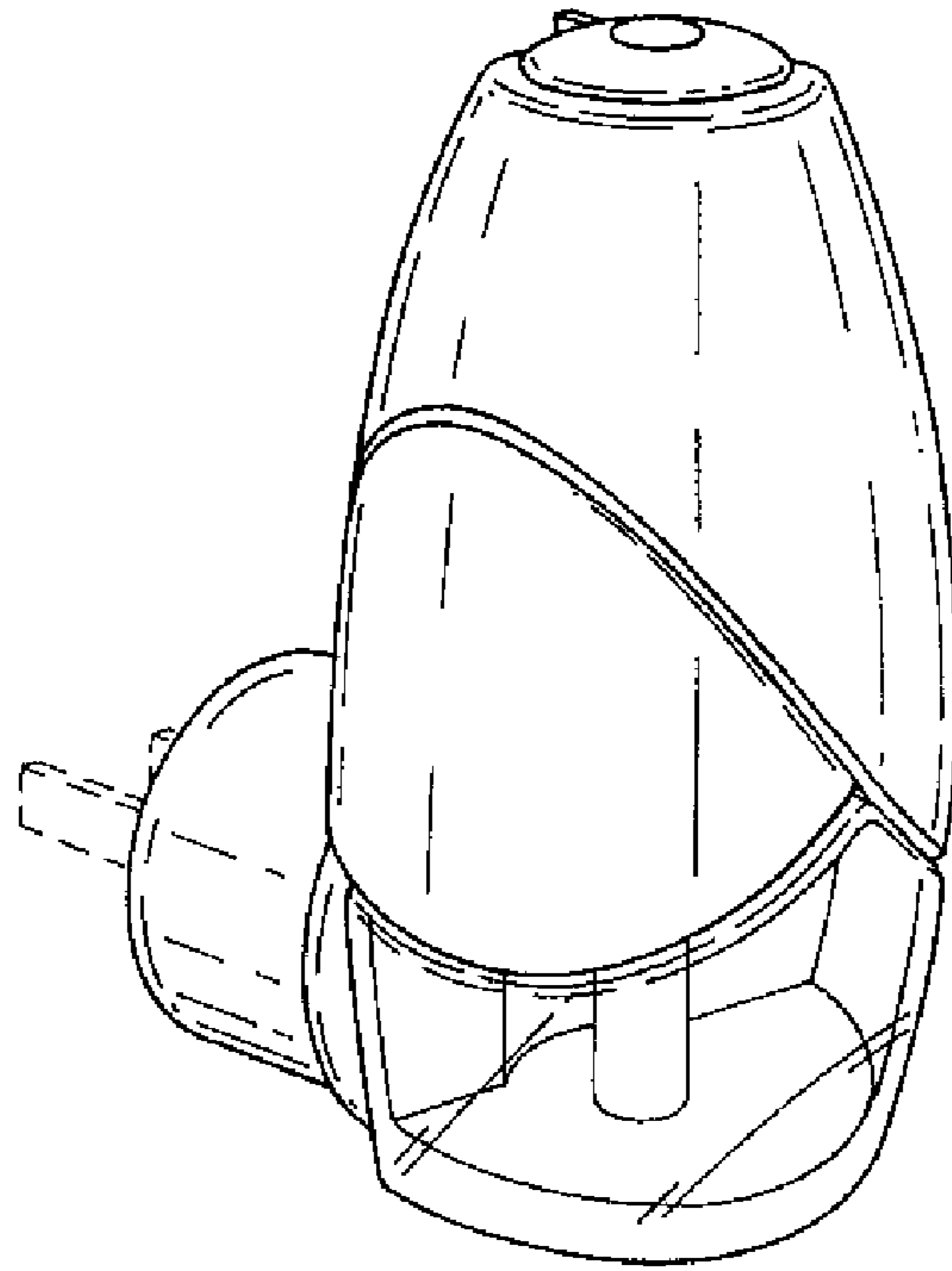


Fig. 1

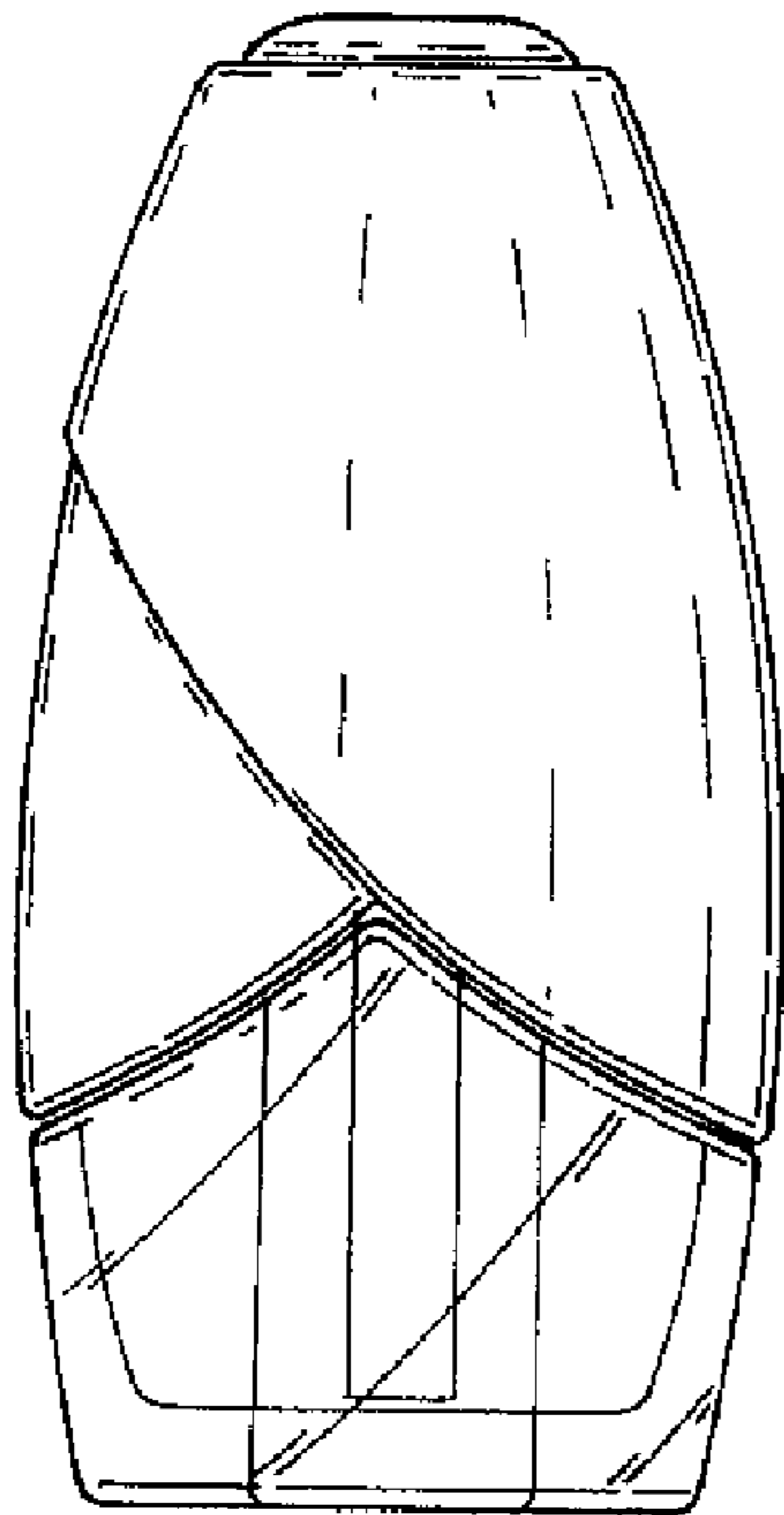


Fig. 2

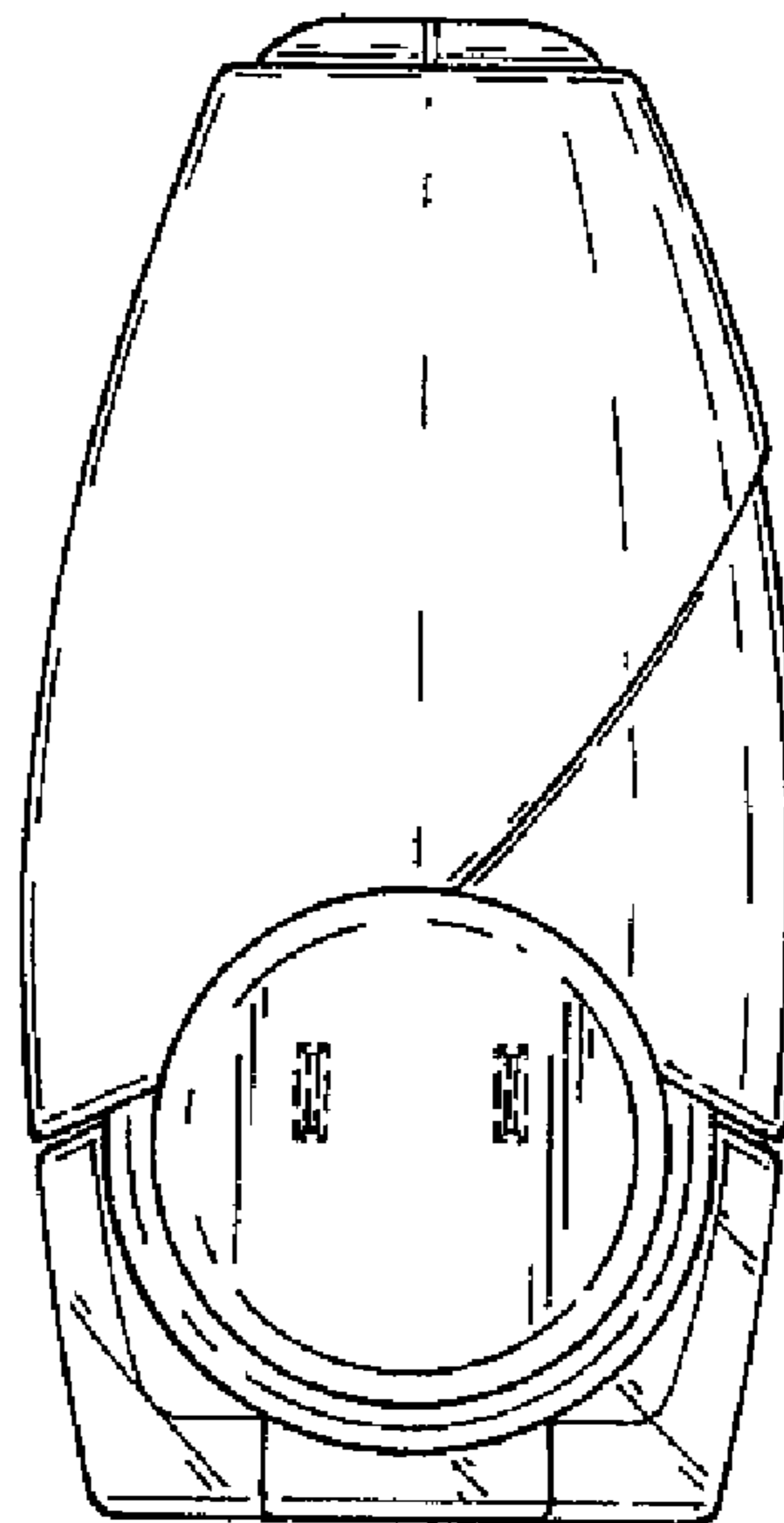


Fig. 3

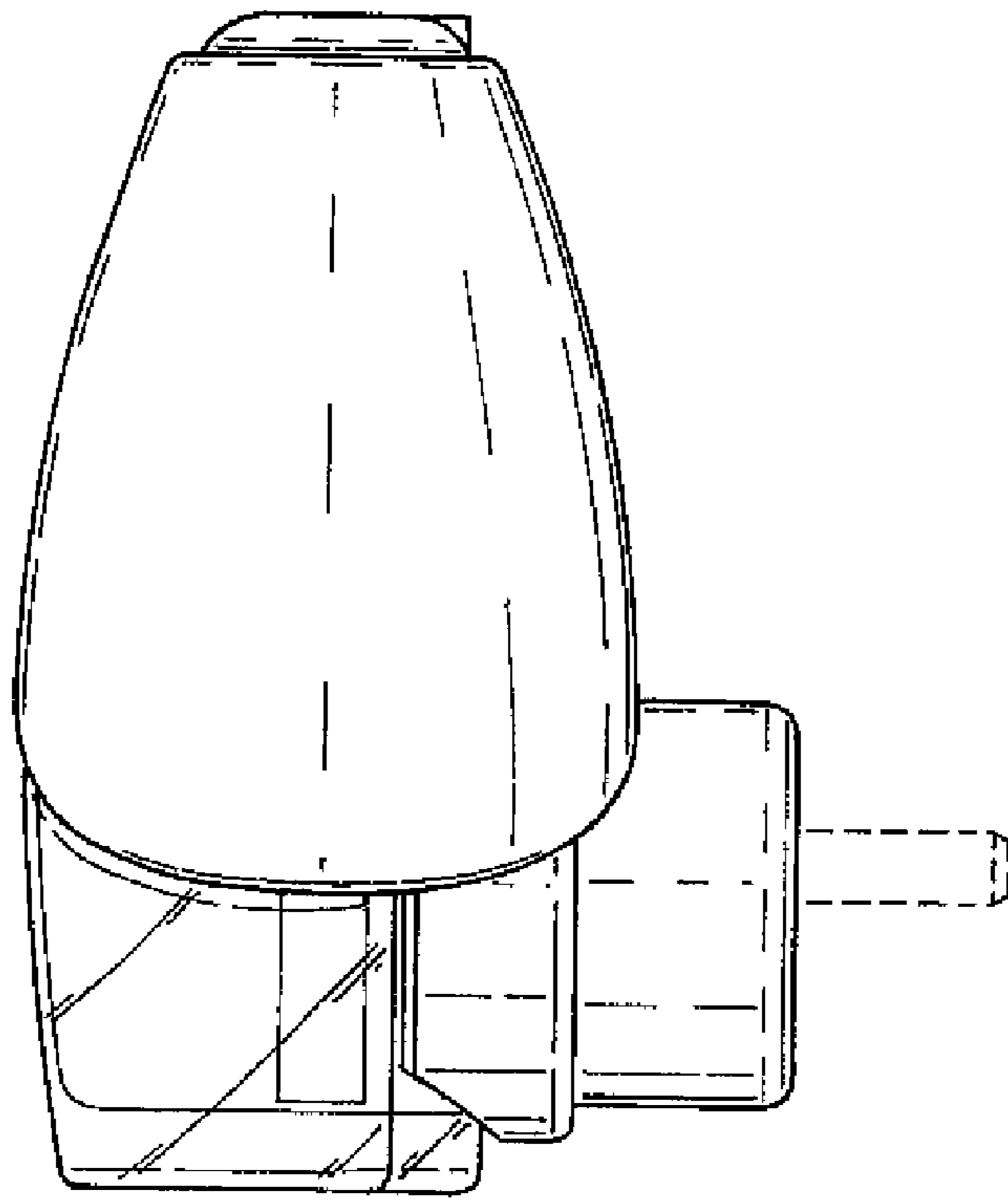


Fig. 4

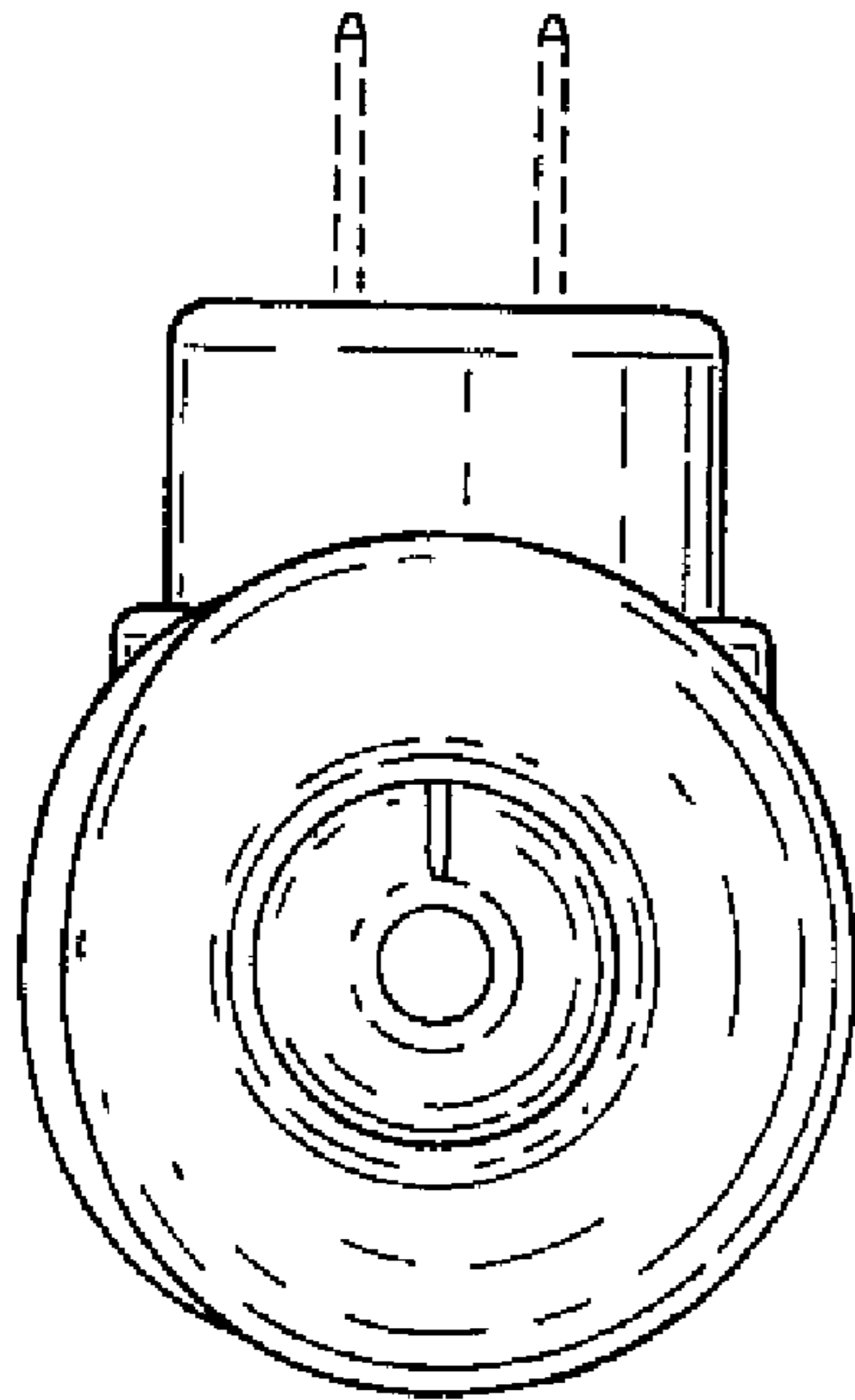


Fig. 5

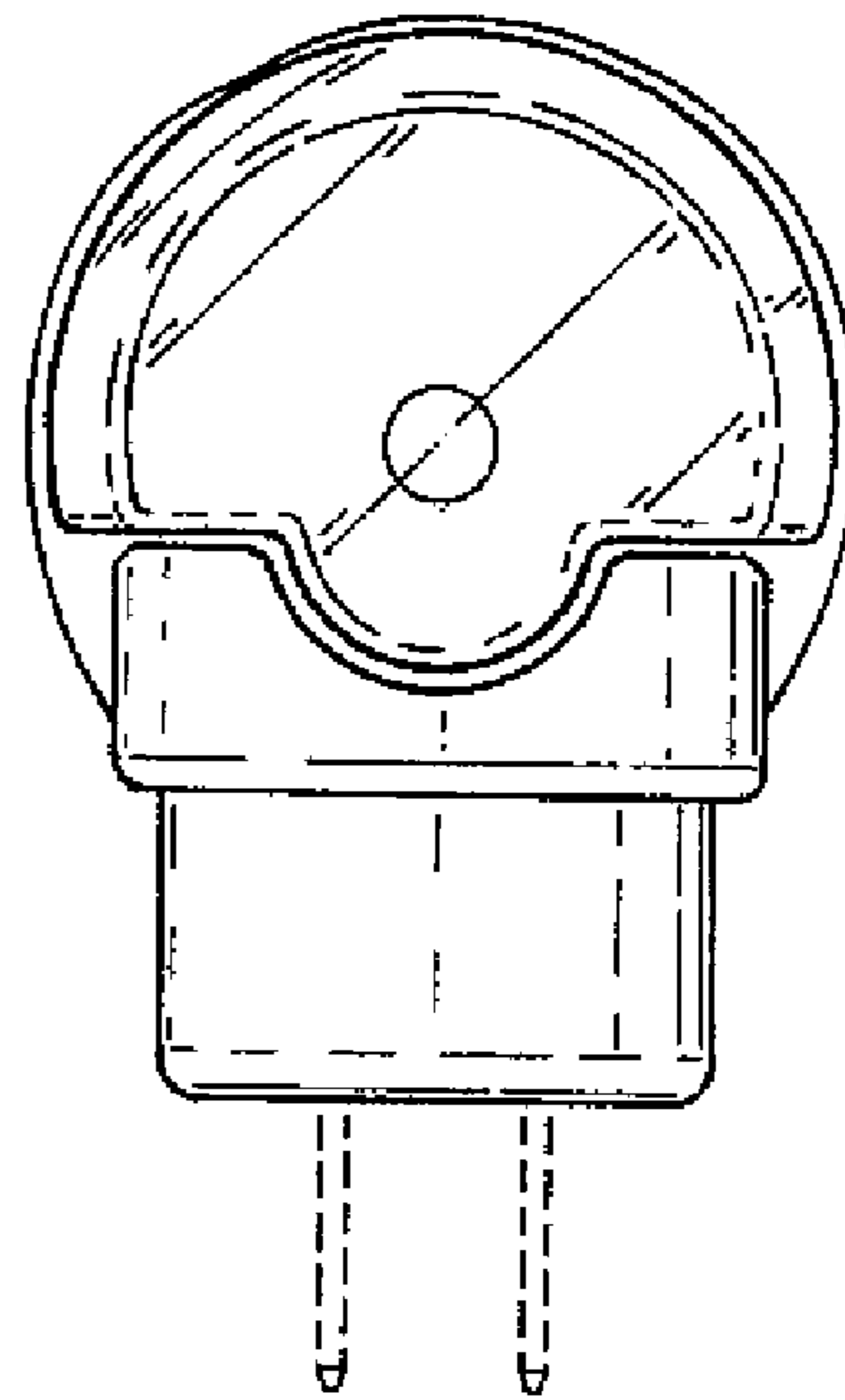


Fig. 6