



US00D567919S

(12) **United States Design Patent**
McDonnell

(10) **Patent No.:** **US D567,919 S**

(45) **Date of Patent:** **** Apr. 29, 2008**

(54) **AIR PURIFIER**

(76) **Inventor:** **Joseph A. McDonnell**, 3744 Pine Lake Dr., Weston, FL (US) 33332

(**) **Term:** **14 Years**

(21) **Appl. No.:** **29/272,975**

(22) **Filed:** **Feb. 23, 2007**

(51) **LOC (8) Cl.** **28-99**

(52) **U.S. Cl.** **D23/366**

(58) **Field of Classification Search** D23/355-369;
261/DIG. 17, DIG. 42, DIG. 65, DIG. 88,
261/DIG. 89; D28/5, 6; 392/386, 390-394,
392/401; 239/34, 35, 41-44, 53-60, 136,
239/326

See application file for complete search history.

(56) **References Cited**

U.S. PATENT DOCUMENTS

D308,415 S *	6/1990	Kunze	D23/366
5,271,560 A *	12/1993	De Winter	239/42
D357,977 S *	5/1995	Muderlak	D23/366
D361,375 S *	8/1995	Gallagher et al.	D23/366
D406,330 S *	3/1999	Chen	D23/366
D407,477 S *	3/1999	Chen	D23/366
D409,740 S *	5/1999	Gallagher et al.	D23/366
D413,663 S *	9/1999	Chen	D23/366
D425,190 S *	5/2000	Morikawa	D23/366
D433,113 S *	10/2000	Cole	D23/366

D468,627 S *	1/2003	Dampney	D9/693
D471,970 S *	3/2003	Gallagher et al.	D23/366
D478,379 S *	8/2003	Talenton et al.	D23/366
D491,798 S *	6/2004	Buthier	D23/366
D533,931 S *	12/2006	Miller et al.	D23/366
D537,929 S *	3/2007	Muderlak et al.	D23/366
D546,434 S *	7/2007	Barraclough	D23/366

* cited by examiner

Primary Examiner—Sandra Snapp

(74) *Attorney, Agent, or Firm*—Harness, Dickey & Pierce

(57) **CLAIM**

The ornamental design for an air purifier, as shown and described.

DESCRIPTION

FIG. 1 is a front side elevational view of an air purifier showing my new design;

FIG. 2 is back side elevational view thereof;

FIG. 3 is a left side elevational view thereof;

FIG. 4 is a right side elevational view thereof;

FIG. 5 is a top plan view thereof; and,

FIG. 6 is a bottom plan view thereof.

The broken lines shown in the drawings are for illustrative purposes only and form no part of the claimed design.

1 Claim, 3 Drawing Sheets

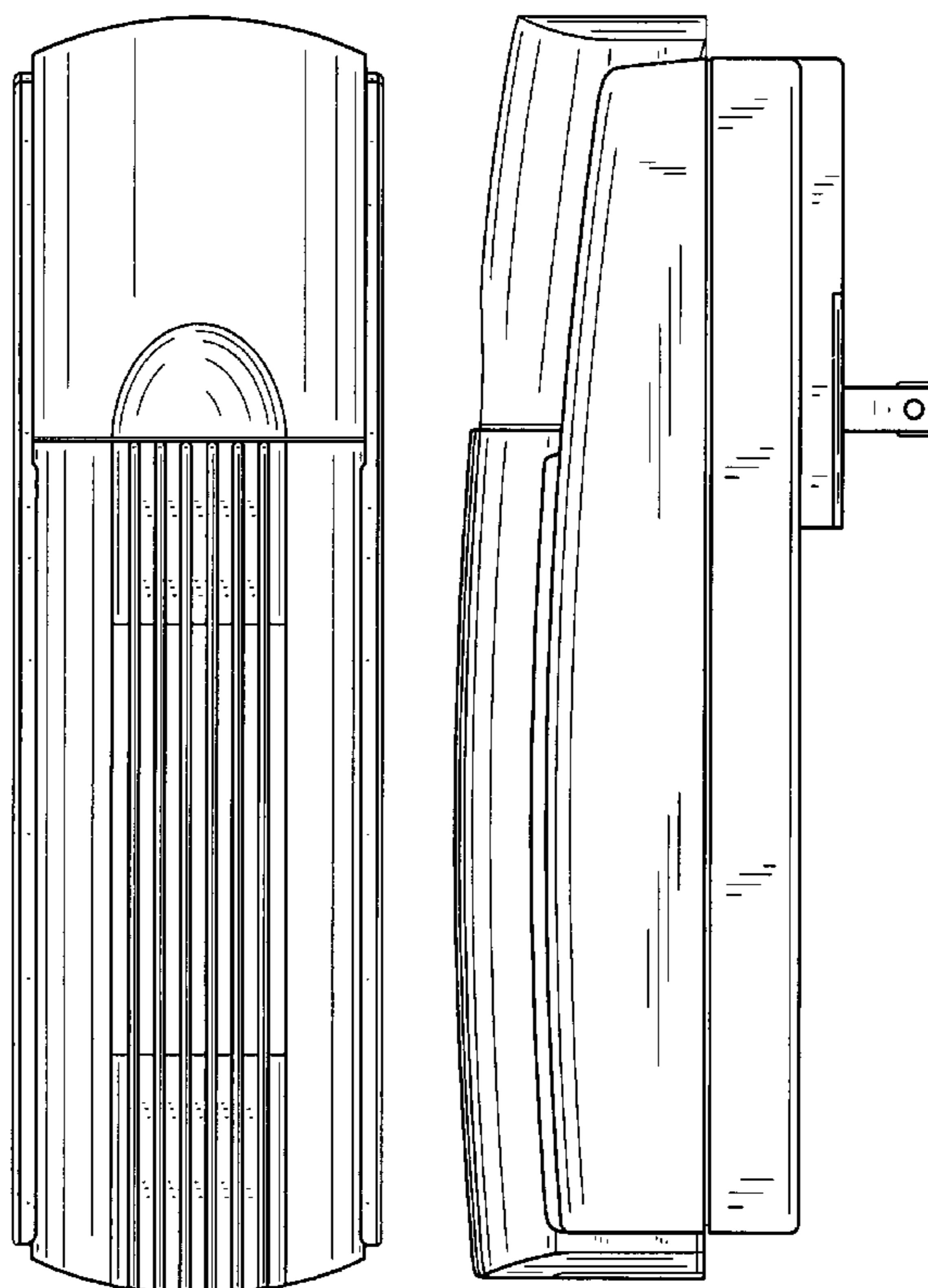


FIG. 1



FIG. 2

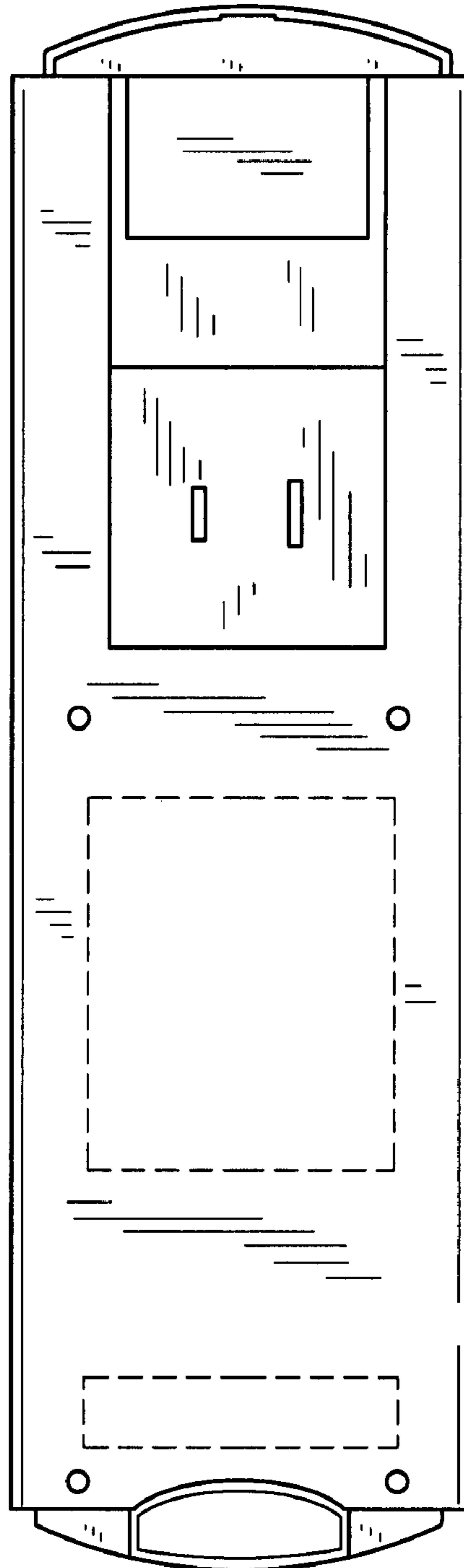


FIG. 3

FIG. 4

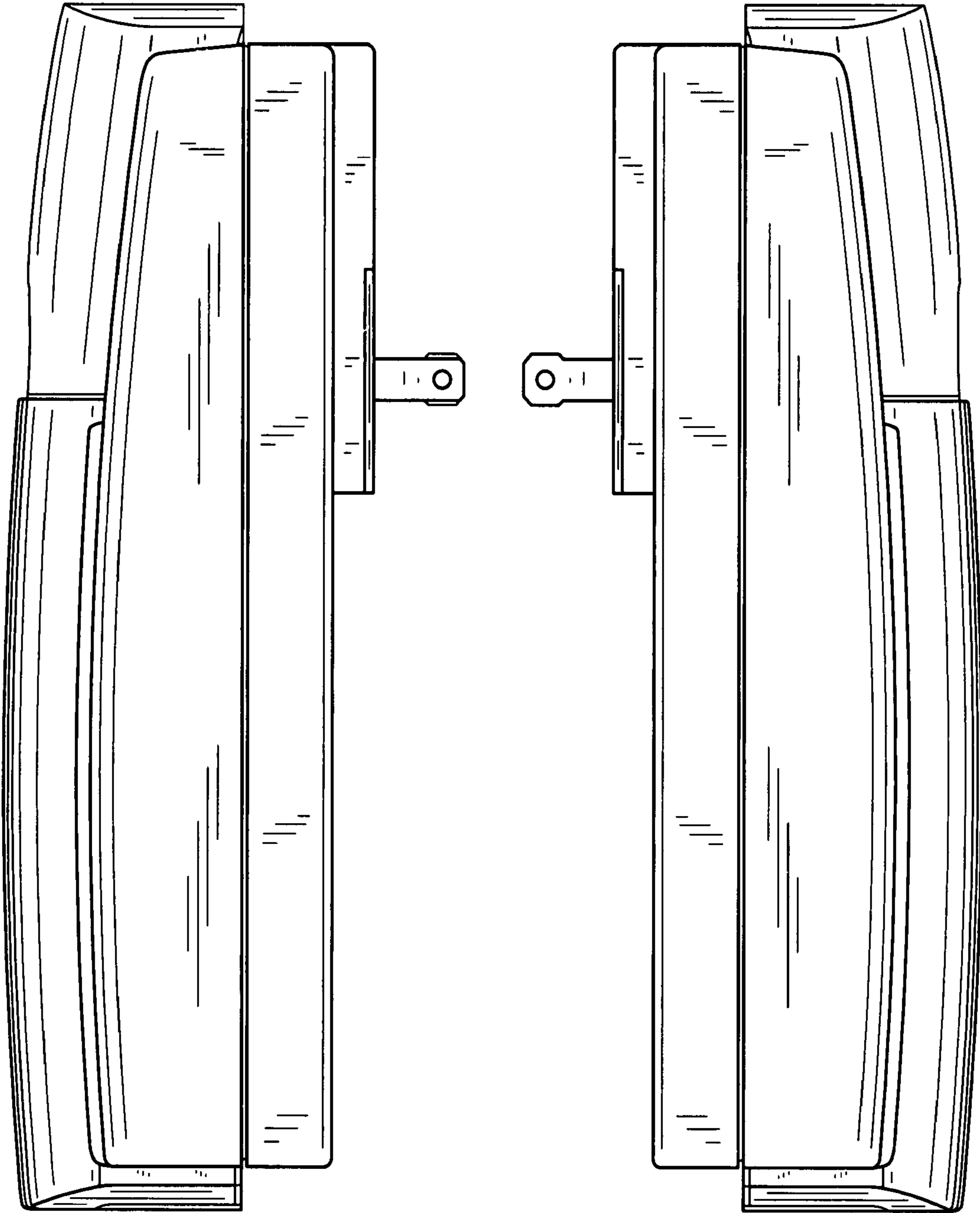


FIG. 5

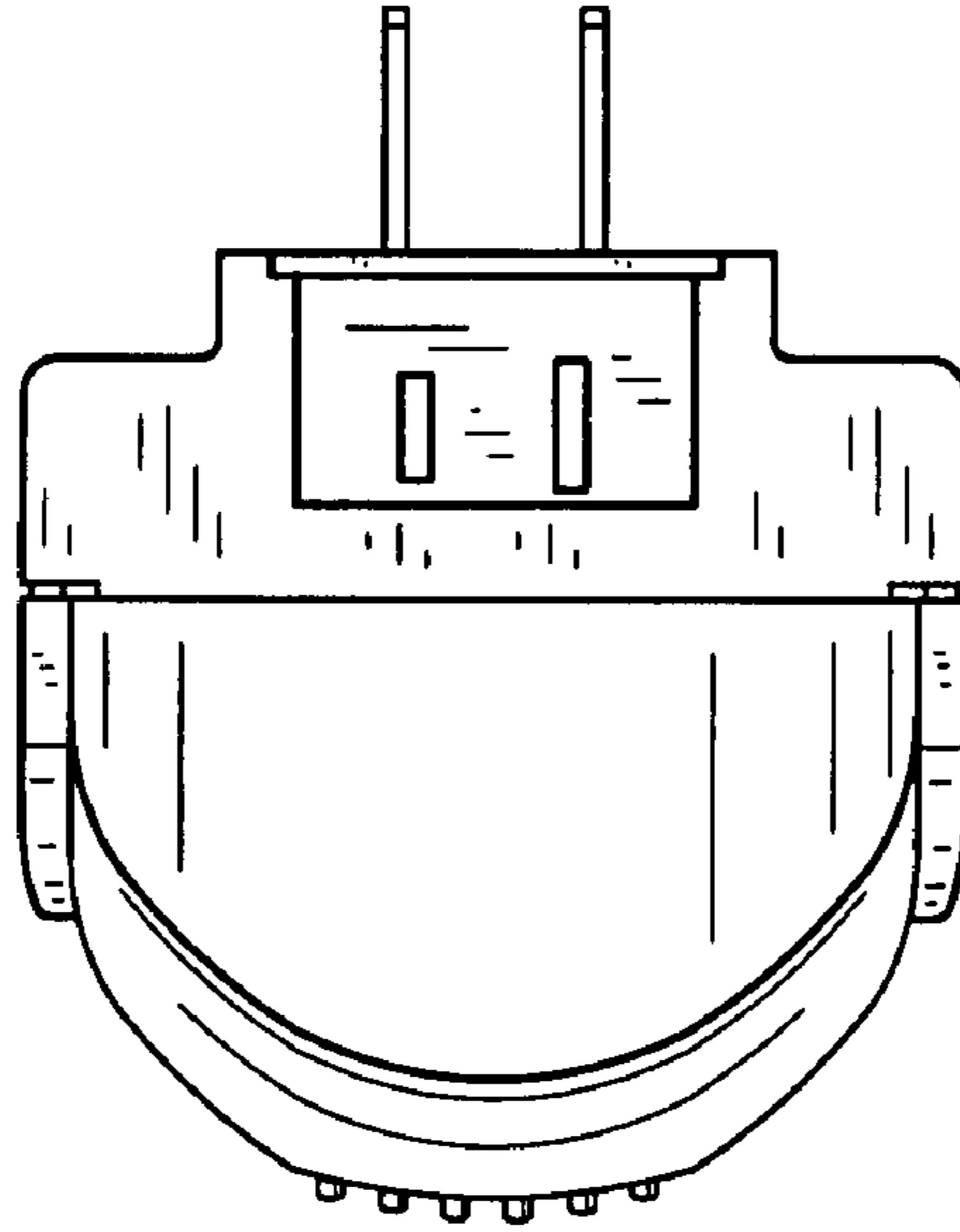


FIG. 6

