

US00D567918S

(12) **United States Design Patent**  
**Hundertmark**

(10) **Patent No.: US D567,918 S**

(45) **Date of Patent: \*\* \*Apr. 29, 2008**

(54) **AIR FRESHENER**

(75) Inventor: **Volker Hundertmark**, Raddestorf (DE)

(73) Assignee: **Henkel Kommanditgesellschaft auf Aktien**, Duesseldorf (DE)

(\* ) Notice: This patent is subject to a terminal disclaimer.

(\*\*) Term: **14 Years**

(21) Appl. No.: **29/249,947**

(22) Filed: **Oct. 27, 2006**

**Related U.S. Application Data**

(62) Division of application No. 29/224,117, filed on Feb. 25, 2005, now Pat. No. Des. 532,094.

(51) **LOC (8) Cl.** ..... **28-99**

(52) **U.S. Cl.** ..... **D23/366**

(58) **Field of Classification Search** ..... 261/DIG. 17, 261/DIG. 42, DIG. 65, DIG. 88, DIG. 89; D23/355-369; D28/5, 6; 392/341, 342, 392/386, 390, 392, 393, 394, 401; 239/34, 239/35, 42, 60, 53-58, 136, 326; D11/43, D11/79

See application file for complete search history.

(56) **References Cited**

**U.S. PATENT DOCUMENTS**

- 3,780,260 A 12/1973 Elsner
- D262,137 S \* 12/1981 Hoyt ..... D23/369
- D262,312 S \* 12/1981 Hoyt ..... D23/369
- D398,975 S \* 9/1998 Nystrom ..... D23/355
- D399,939 S \* 10/1998 Nystrom ..... D23/355
- D399,940 S \* 10/1998 Nystrom ..... D23/355
- 5,926,614 A 7/1999 Steinel
- D430,659 S 9/2000 Zaragoza et al.
- D432,222 S 10/2000 Rymer et al.
- D433,744 S 11/2000 Basaganas
- D437,636 S 2/2001 Basaganas

- D437,923 S \* 2/2001 Weick ..... D23/367
- D465,019 S 10/2002 Wu
- D474,268 S 5/2003 Choke-arpornchai
- D476,070 S 6/2003 Basaganas Millan
- 6,850,697 B2 2/2005 Basaganas Millan
- D532,094 S \* 11/2006 Hundertmark ..... D23/366
- 2002/0076214 A1 6/2002 Vieira
- 2003/0231876 A1 12/2003 Basaganas Millan

\* cited by examiner

*Primary Examiner*—Sandra Snapp

(74) *Attorney, Agent, or Firm*—Paul & Paul

(57) **CLAIM**

The ornamental design for an air freshener, as shown and described.

**DESCRIPTION**

FIG. 1 is a top right rear perspective view of an air freshener according to the new design shown in the partially open condition;

FIG. 2 is a front elevation view thereof;

FIG. 3 is a rear elevation view thereof;

FIG. 4 is a right elevation view thereof;

FIG. 5 is a left elevation view thereof;

FIG. 6 is a top plan view thereof; and

FIG. 7 is a bottom plan view thereof.

FIG. 8 is a top right rear perspective view of an air freshener according to the new design shown in the fully open condition;

FIG. 9 is a front elevation view thereof;

FIG. 10 is a rear elevation view thereof;

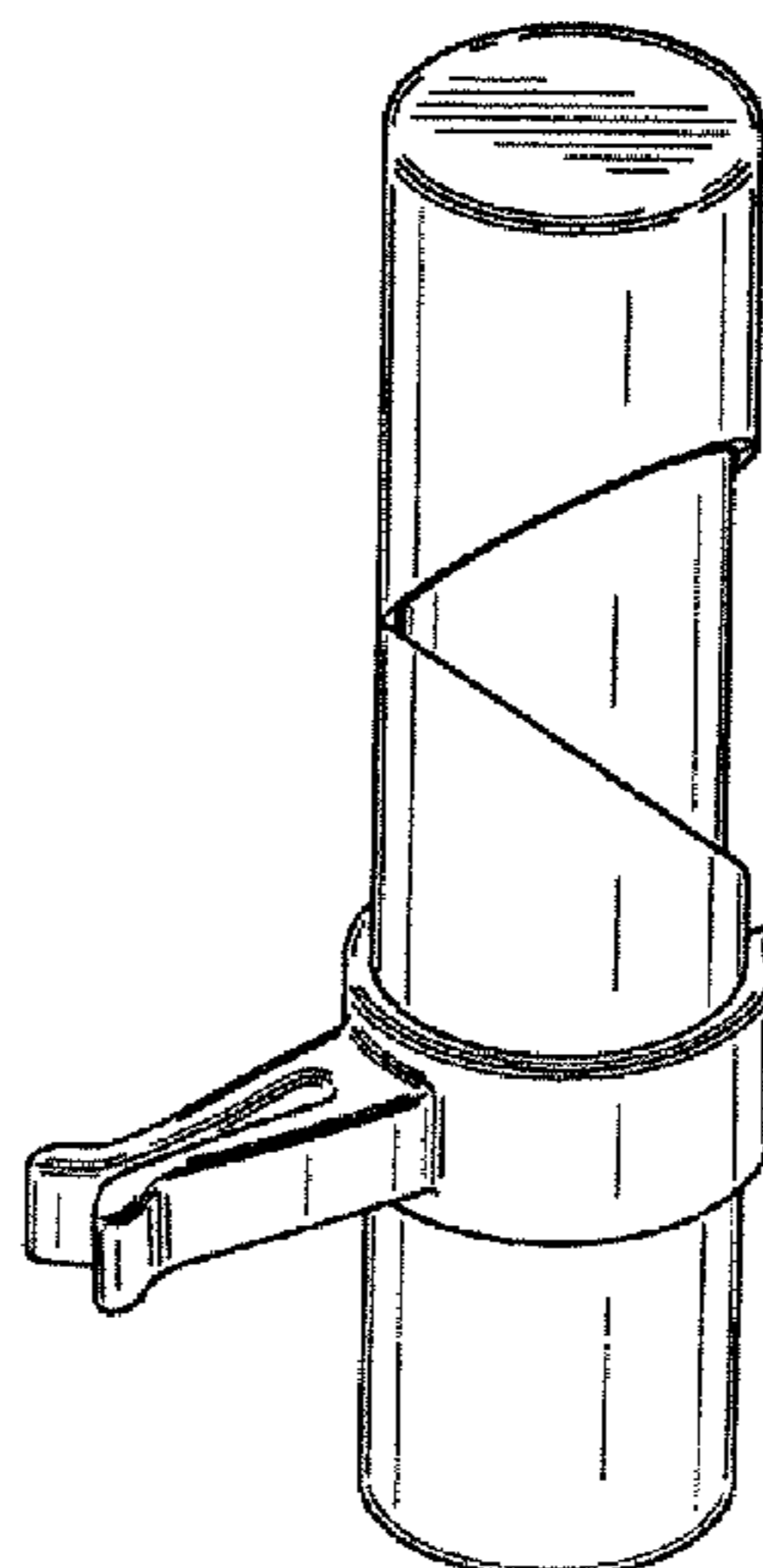
FIG. 11 is a right elevation view thereof;

FIG. 12 is a left elevation view thereof;

FIG. 13 is a top plan view thereof; and,

FIG. 14 is a bottom plan view thereof.

**1 Claim, 8 Drawing Sheets**



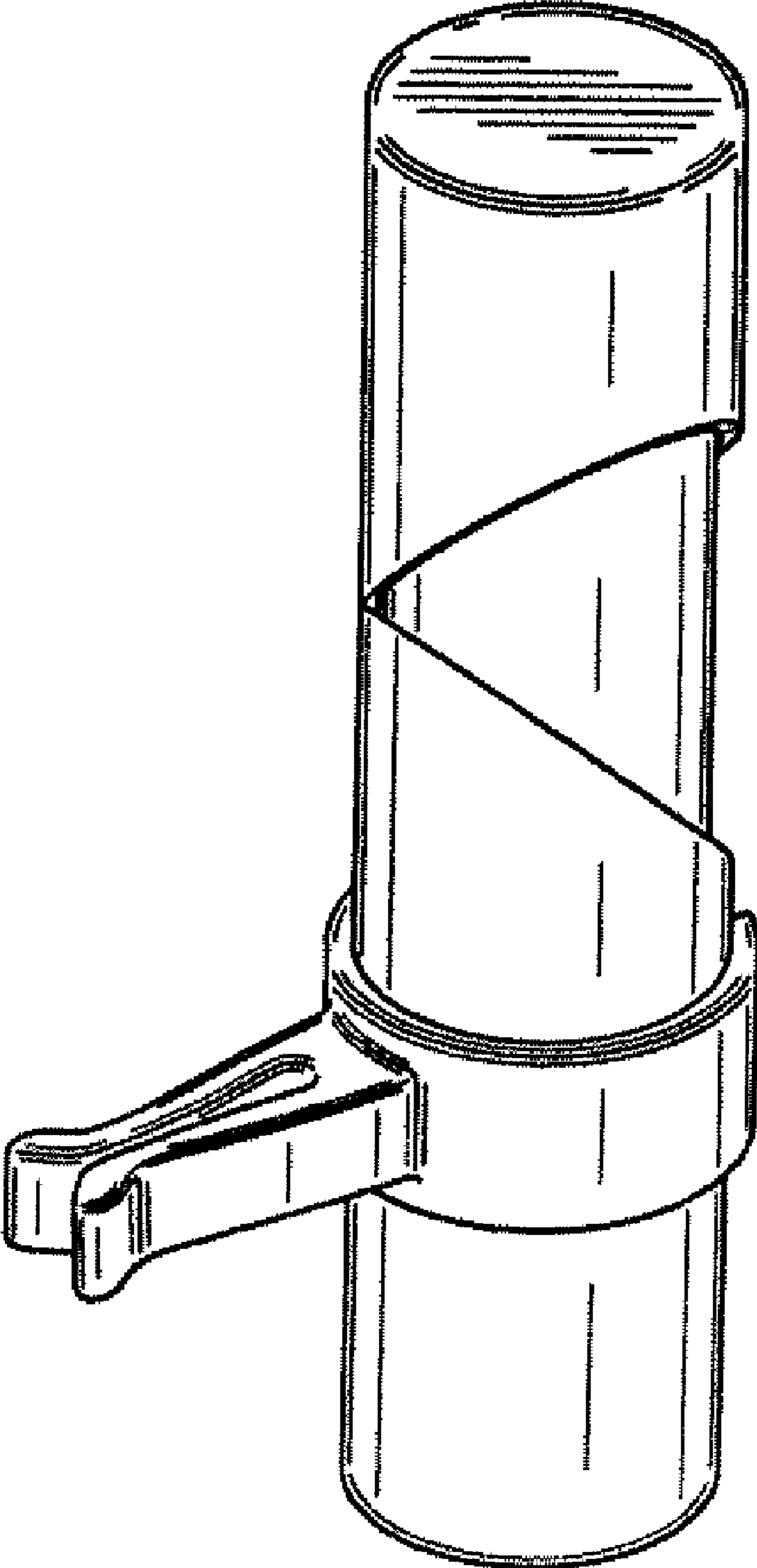


FIG. 1

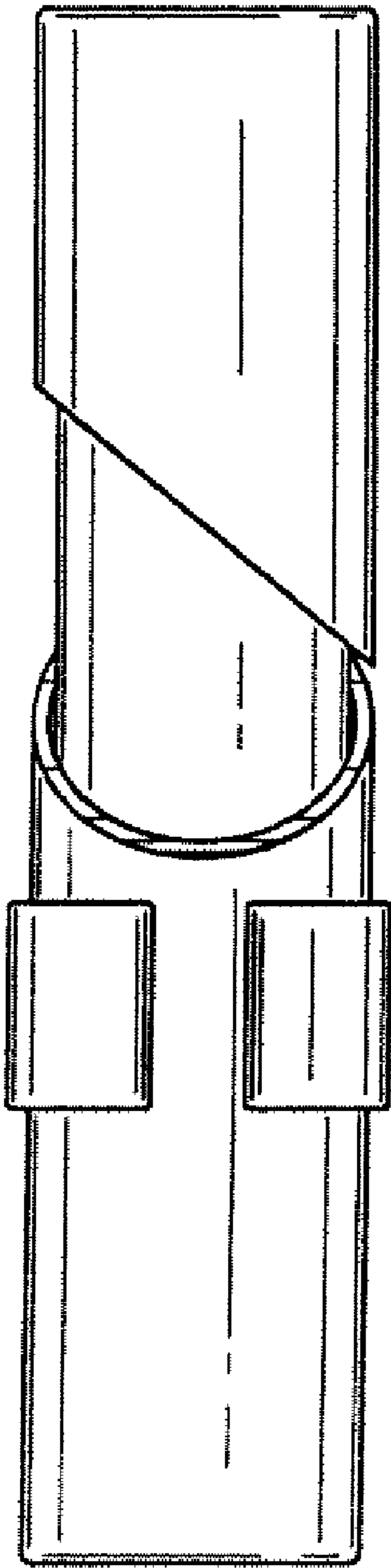


FIG. 2

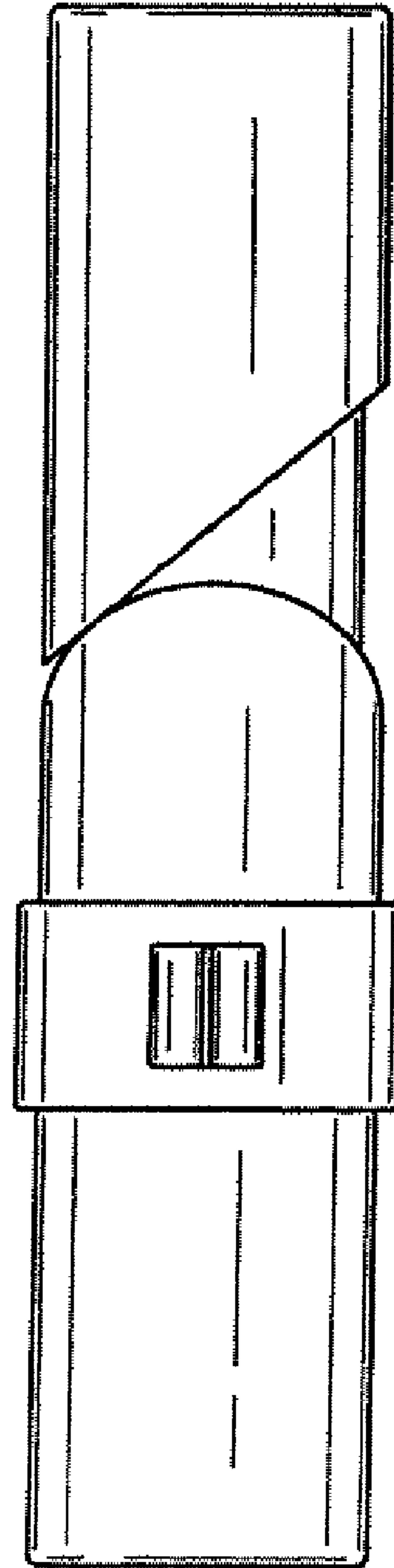


FIG. 3

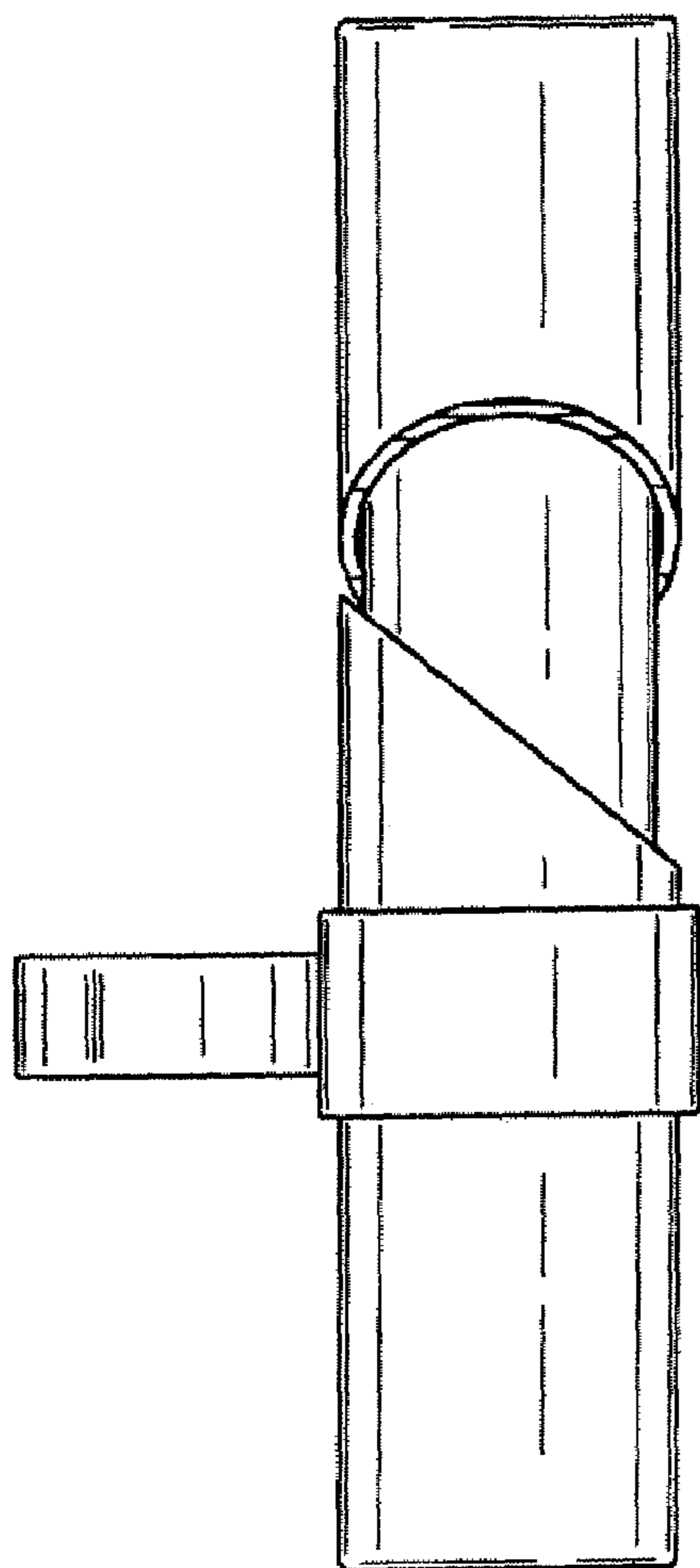


FIG. 4

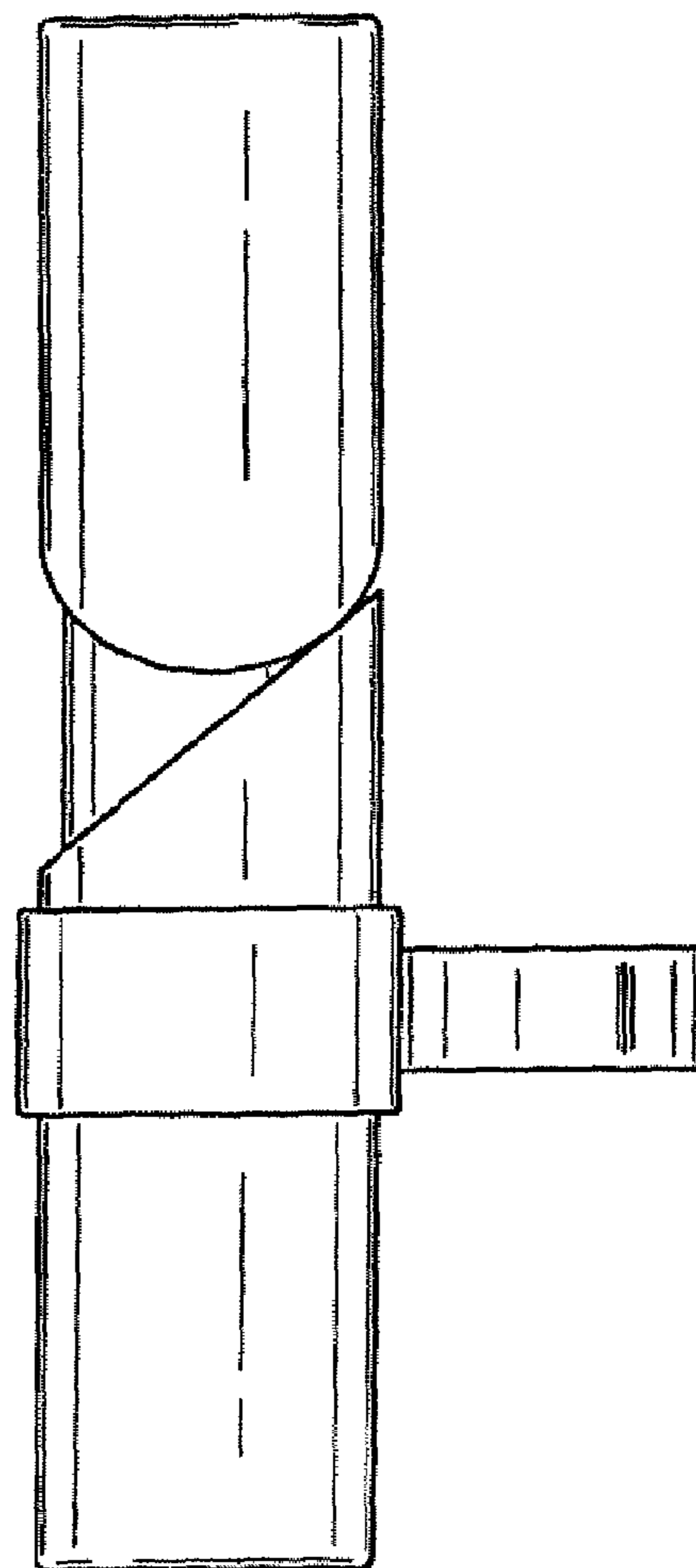


FIG. 5

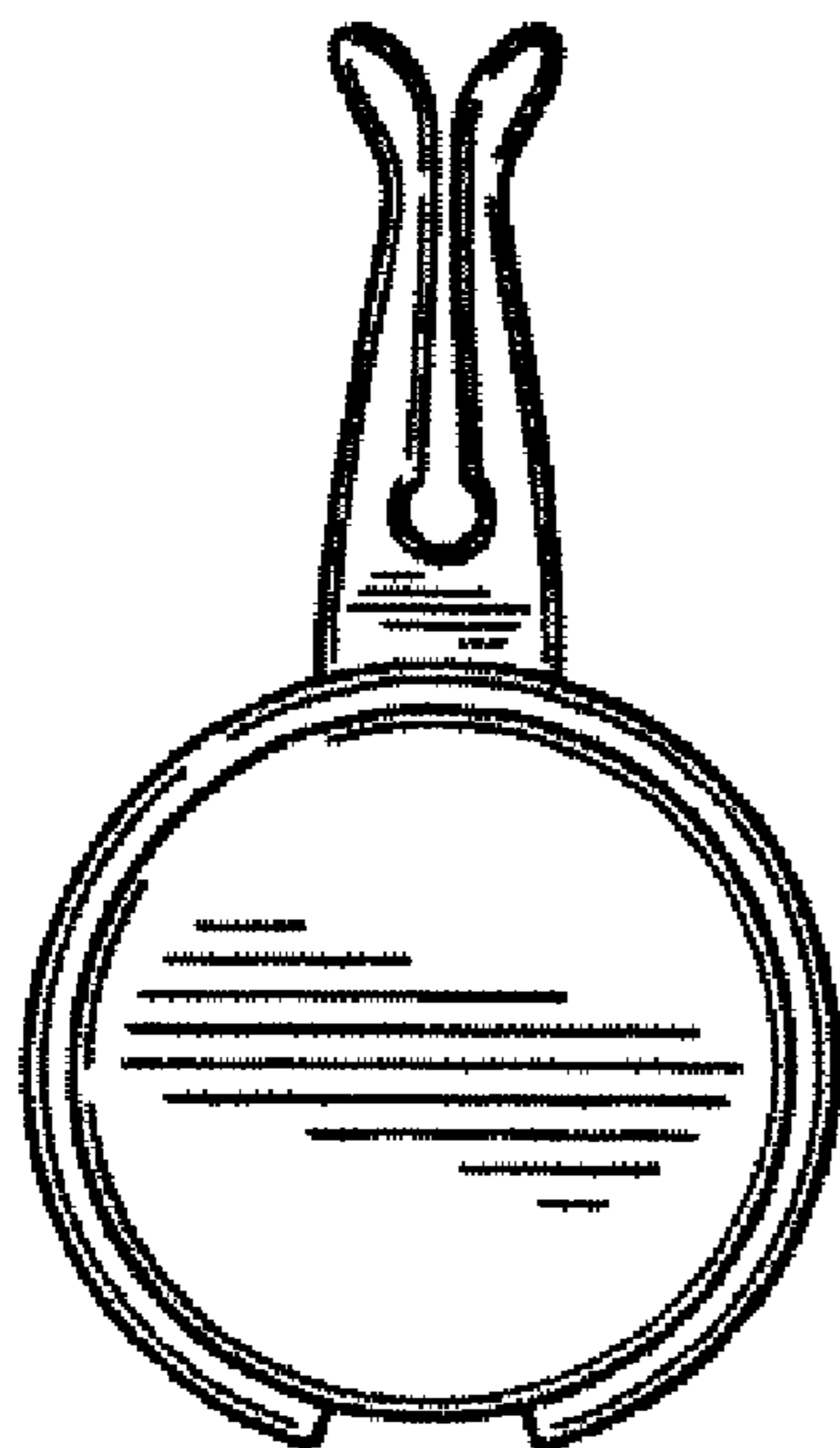


FIG. 6

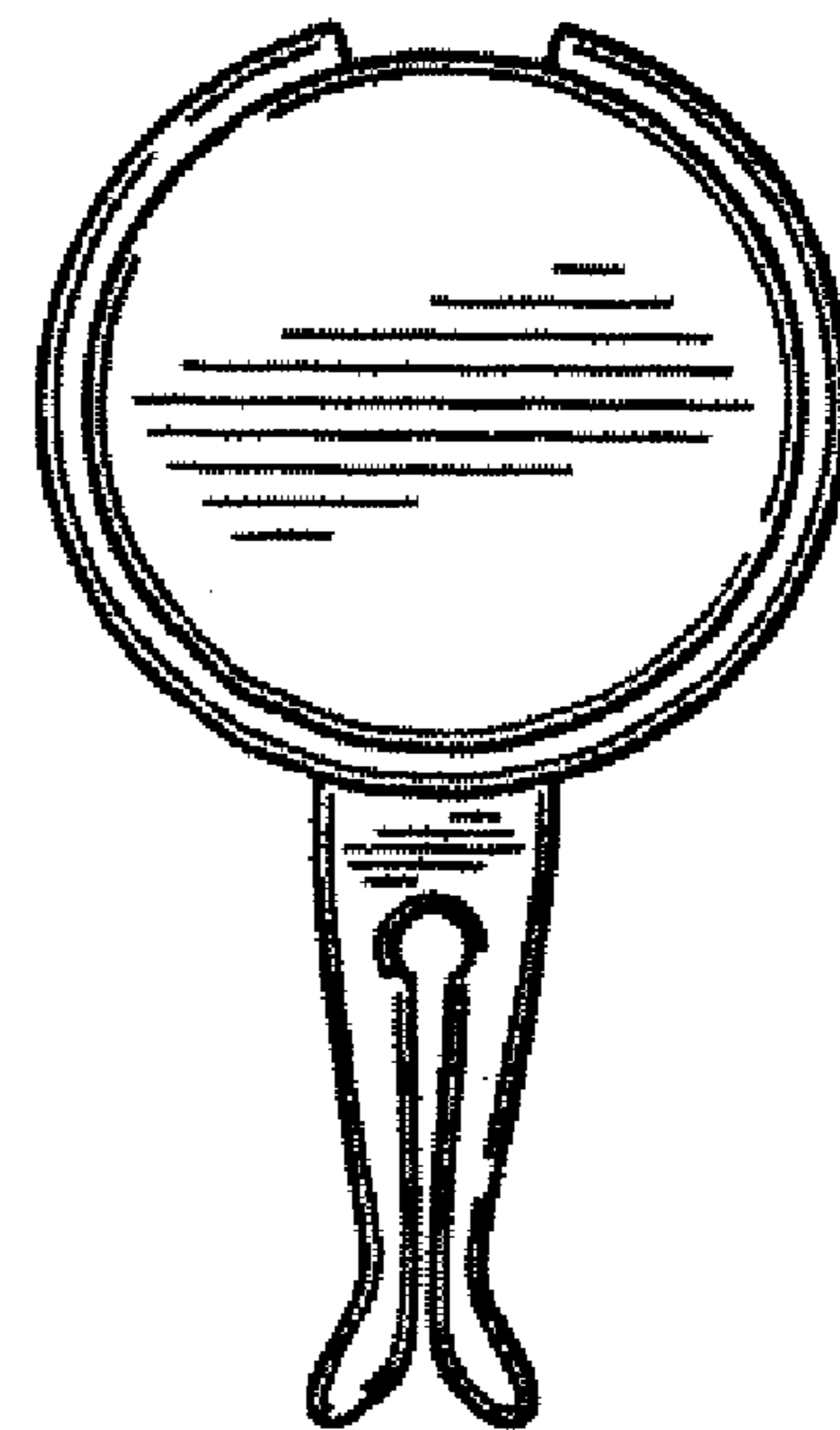


FIG. 7

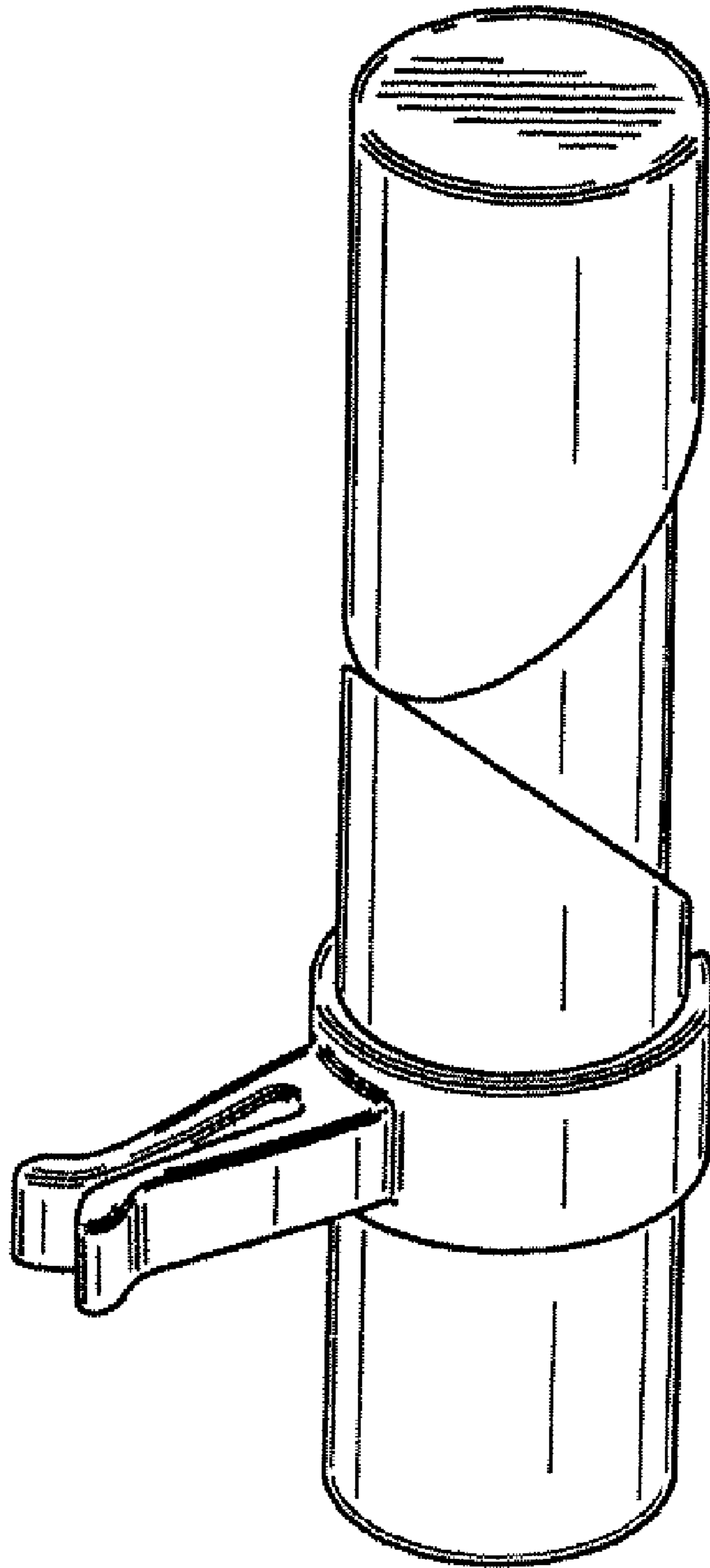


FIG. 8



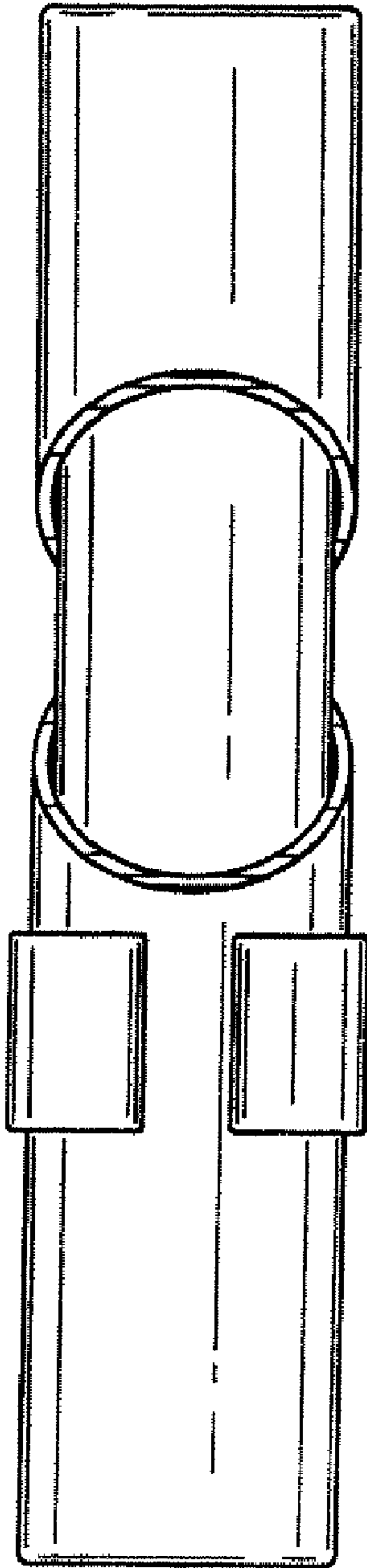


FIG. 9

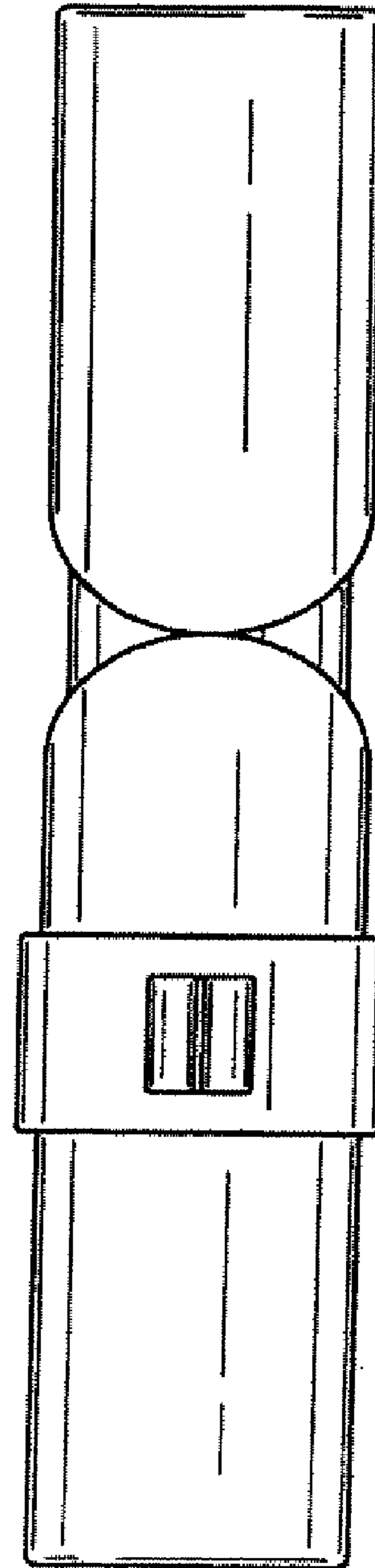


FIG. 10

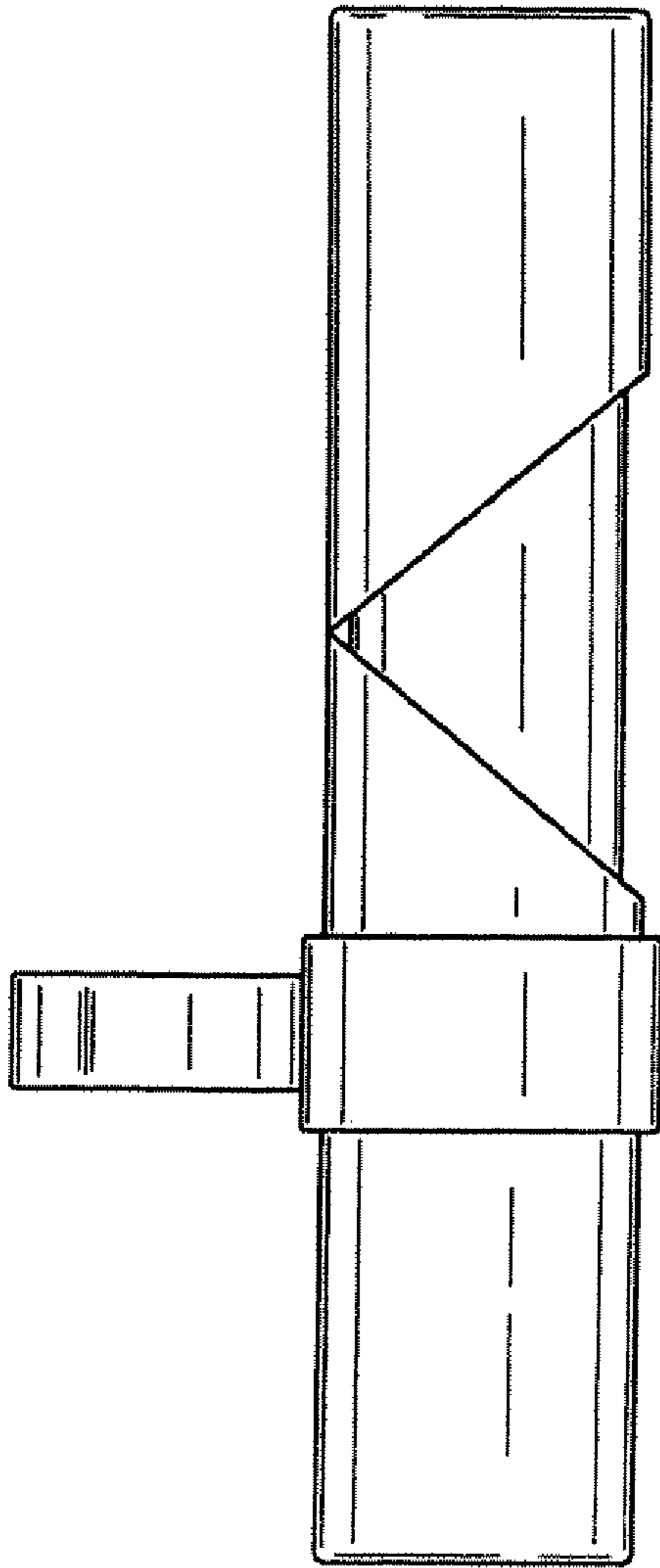


FIG. 11

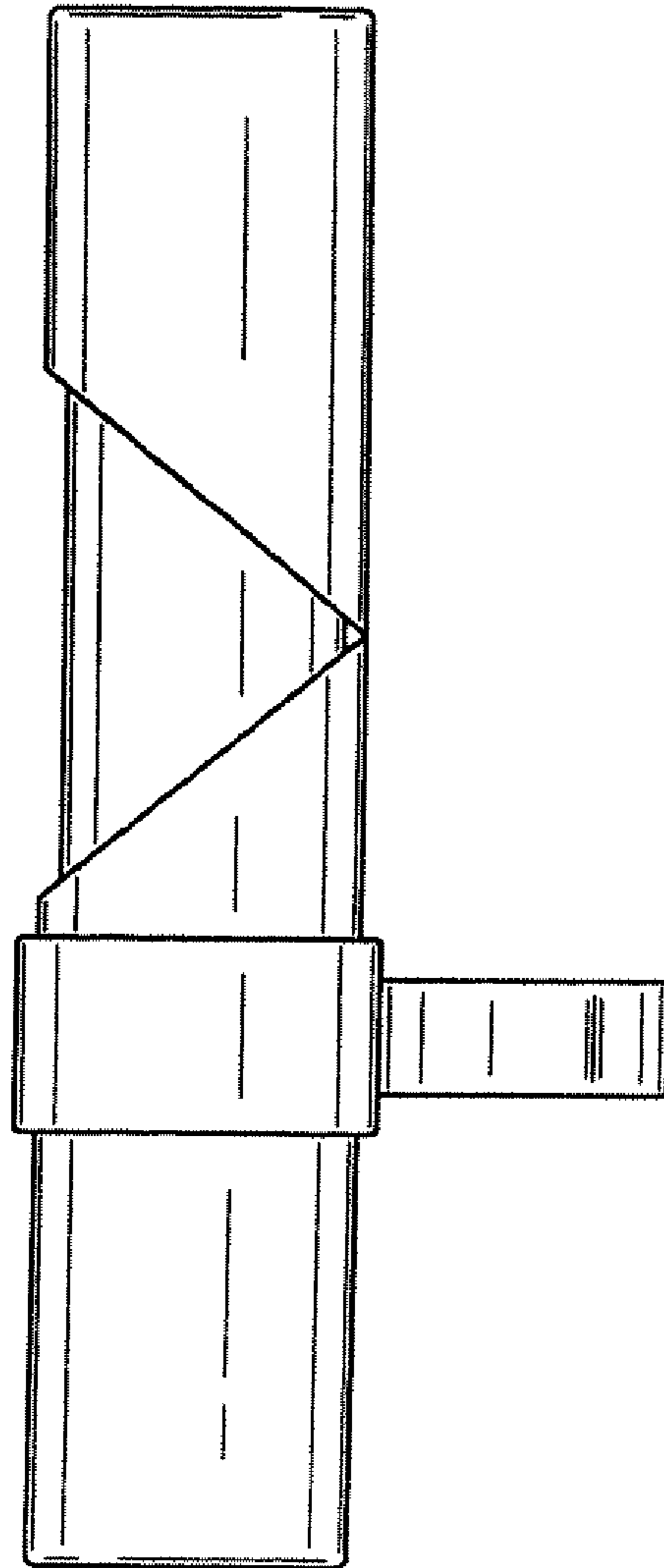


FIG. 12



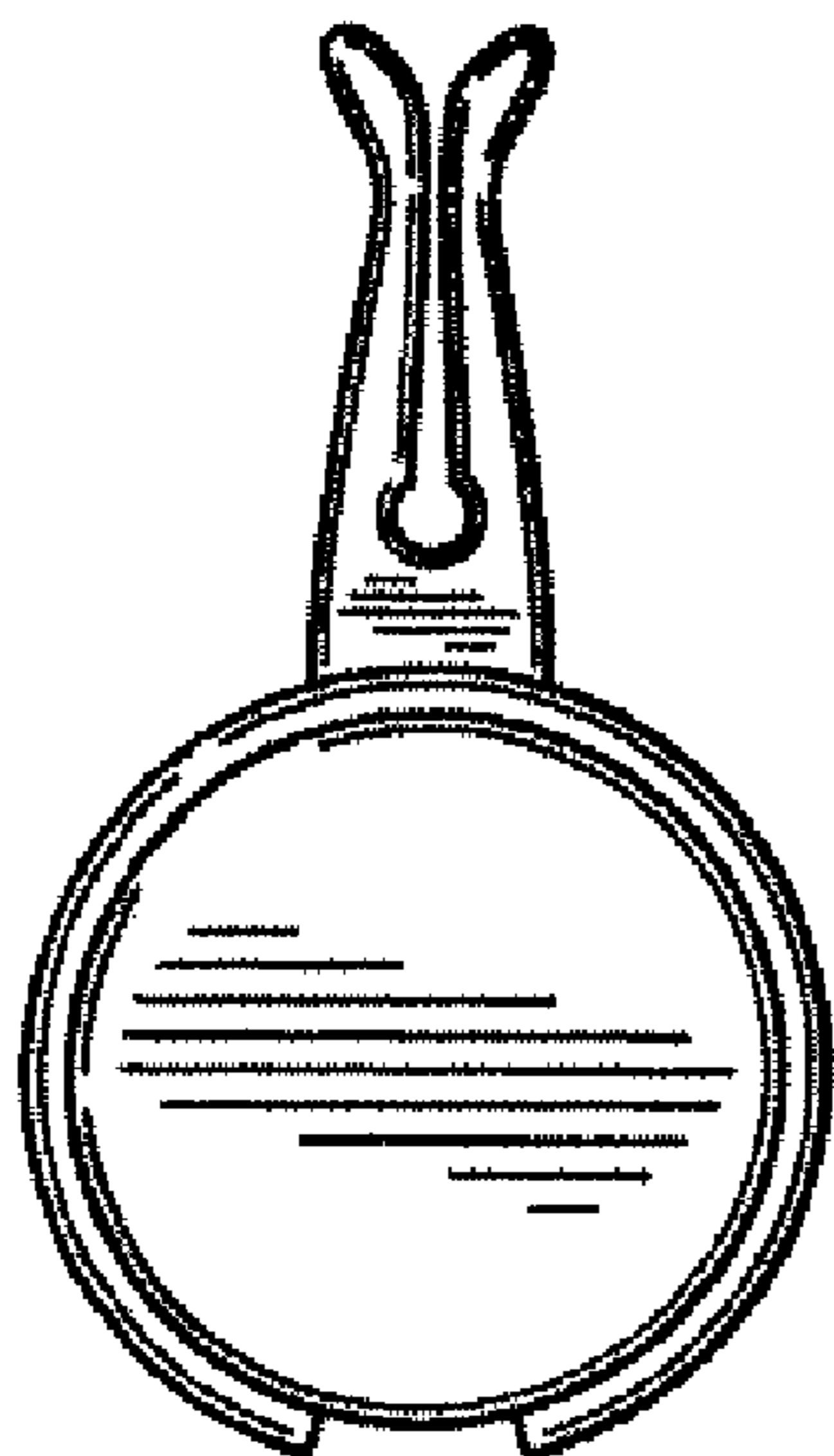


FIG. 13

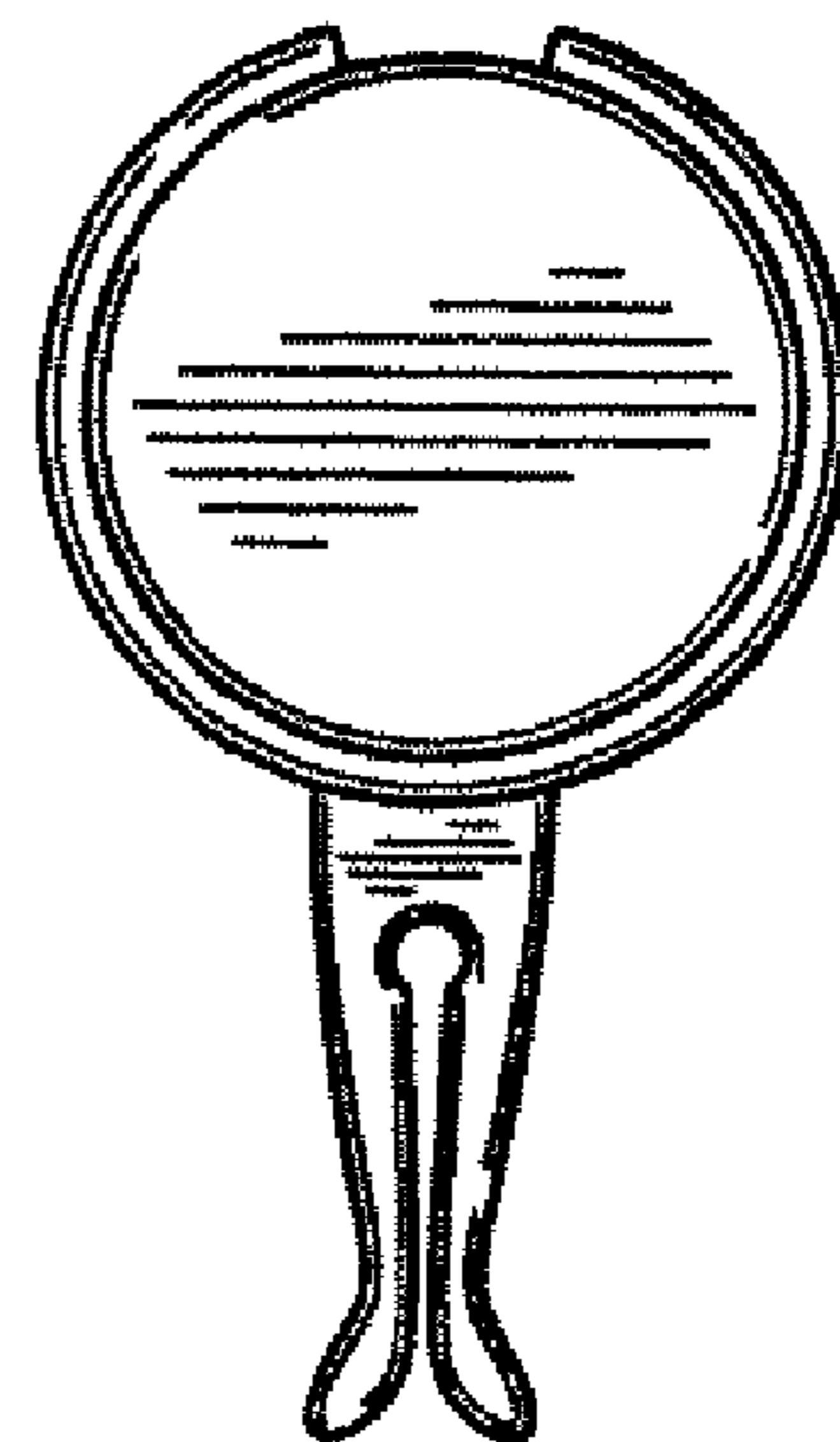


FIG. 14