

US00D567916S

(12) **United States Design Patent** (10) **Patent No.:** **US D567,916 S**
McColgin et al. (45) **Date of Patent:** **** Apr. 29, 2008**

(54) **LIGHT POST HEATER**

(75) Inventors: **Jerry McColgin**, Westfield, IN (US);
Maureen Carroll, Atlanta, GA (US);
Michael E Docherty, Boca Raton, FL
(US); **Pete Moyer**, Bowling Green, KY
(US); **Chungkin Yee**, Bowling Green,
KY (US); **Ken Maitland**, Bowling
Green, KY (US); **Griffin Bland**,
Bowling Green, KY (US)

(73) Assignee: **Desa IP, LLC**, Miami, FL (US)

(**) Term: **14 Years**

(21) Appl. No.: **29/276,712**

(22) Filed: **Feb. 2, 2007**

(51) **LOC (8) Cl.** **23-03**

(52) **U.S. Cl.** **D23/317; D23/332; D23/335**

(58) **Field of Classification Search** **D23/323,**
D23/328, 332, 336, 339, 342, 386, 338; 126/25 R,
126/67, 92 A, 92 B, 9 A; 362/92, 217, 253;
431/331, 344

See application file for complete search history.

(56) **References Cited**

U.S. PATENT DOCUMENTS

D325,963	S *	5/1992	Anderson	D23/342
D429,324	S *	8/2000	Olson et al.	D23/342
D446,290	S *	8/2001	Jeng	D23/328
D450,816	S *	11/2001	Bilotti	D23/328
D451,988	S *	12/2001	Ashton et al.	D23/328
6,397,835	B1 *	6/2002	Liang	126/92 B
D465,836	S *	11/2002	Smith et al.	D23/342
D470,232	S *	2/2003	Yeh	D23/332
6,513,284	B1 *	2/2003	Sandlin	47/66.6
6,550,470	B2 *	4/2003	Liang	126/92 B
D474,532	S *	5/2003	Chan et al.	D23/336
6,619,281	B2 *	9/2003	Resmo et al.	126/92 B

6,668,818	B2 *	12/2003	Bossler	126/92 AC
D486,211	S *	2/2004	Chan et al.	D23/332
D489,439	S *	5/2004	Brunner et al.	D23/342
6,745,759	B2 *	6/2004	Bossler	126/92 B
6,792,937	B2 *	9/2004	Resmo et al.	126/92 R
6,926,520	B2 *	8/2005	Home	431/354
7,086,396	B2 *	8/2006	Waters	126/92 B
D541,411	S *	4/2007	Dumortier	D23/415
2003/0029439	A1 *	2/2003	Bossler	126/92 B
2003/0056782	A1 *	3/2003	Liang	126/92 B
2003/0056783	A1 *	3/2003	Bossler	126/92 AC
2003/0136396	A1 *	7/2003	Resmo et al.	126/92 R
2005/0147937	A1 *	7/2005	Home	431/354
2005/0196719	A1 *	9/2005	Mills et al.	431/344
2007/0101983	A1 *	5/2007	Yao	126/92 B

* cited by examiner

Primary Examiner—Robert M. Spear

Assistant Examiner—Anna K. Dworzecka

(74) *Attorney, Agent, or Firm*—John F. Salazar; Middleton
Reutlinger

(57) **CLAIM**

The ornamental design for a light post heater, as shown and described.

DESCRIPTION

FIG. 1 is a perspective view of the light post heater showing the design;

FIG. 2 is a front view thereof;

FIG. 3 is a left side view thereof;

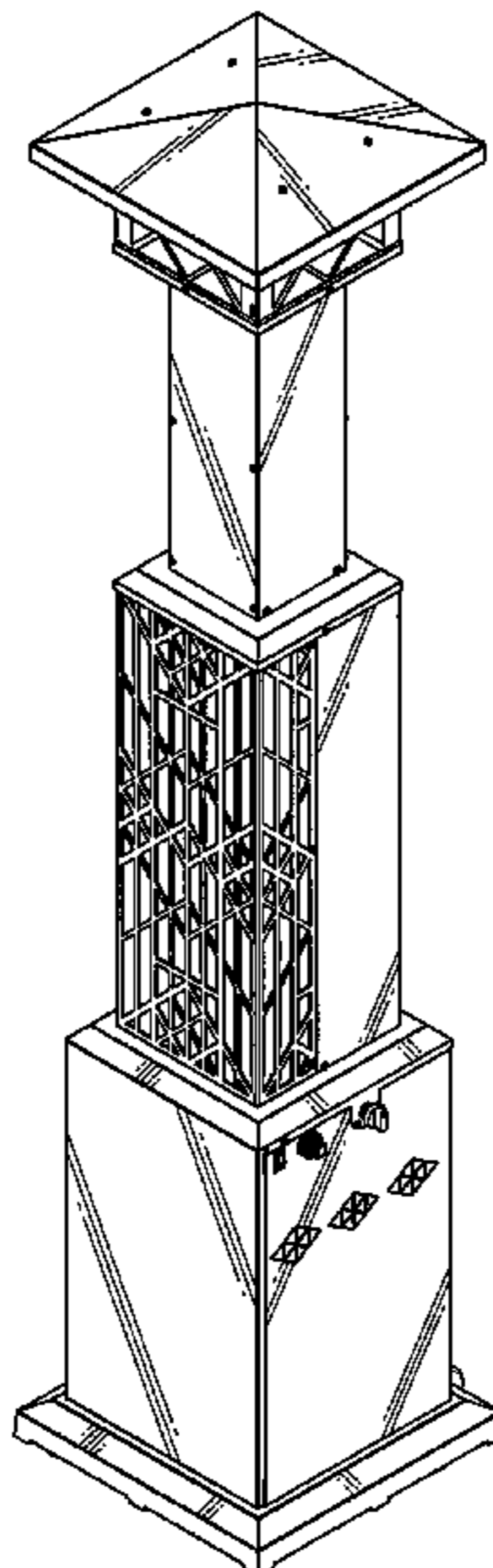
FIG. 4 is a right side view thereof;

FIG. 5 is a rear view thereof; and,

FIG. 6 is a top view thereof.

The bottom view is not shown, as it forms no part of the claimed design.

1 Claim, 6 Drawing Sheets



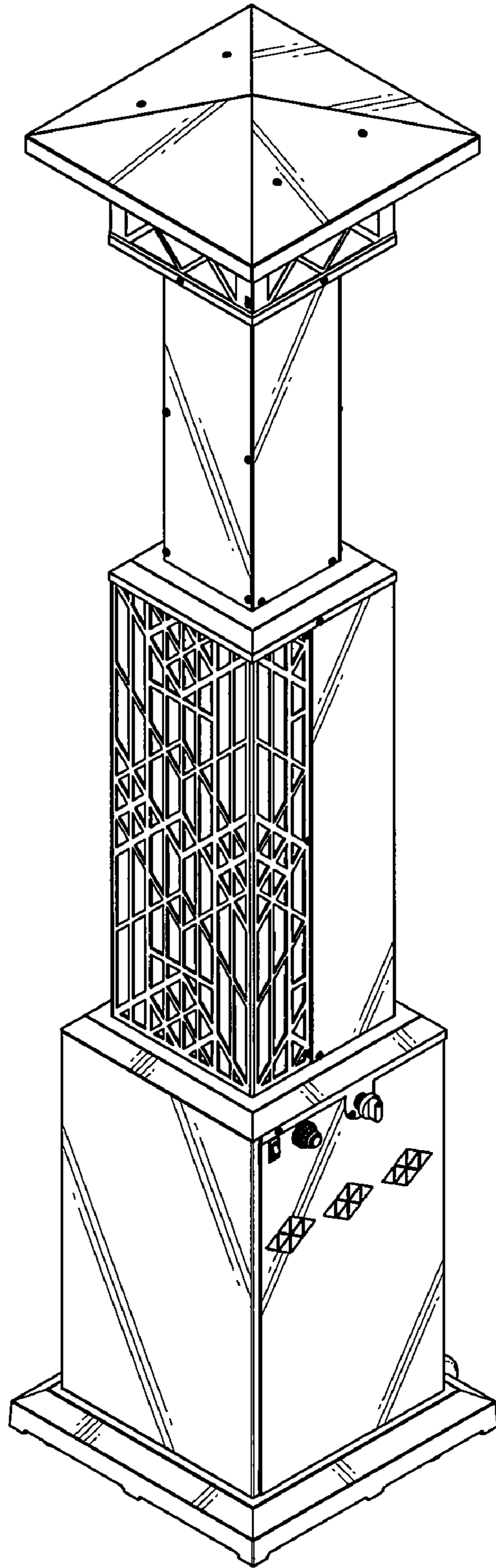


FIG. 1

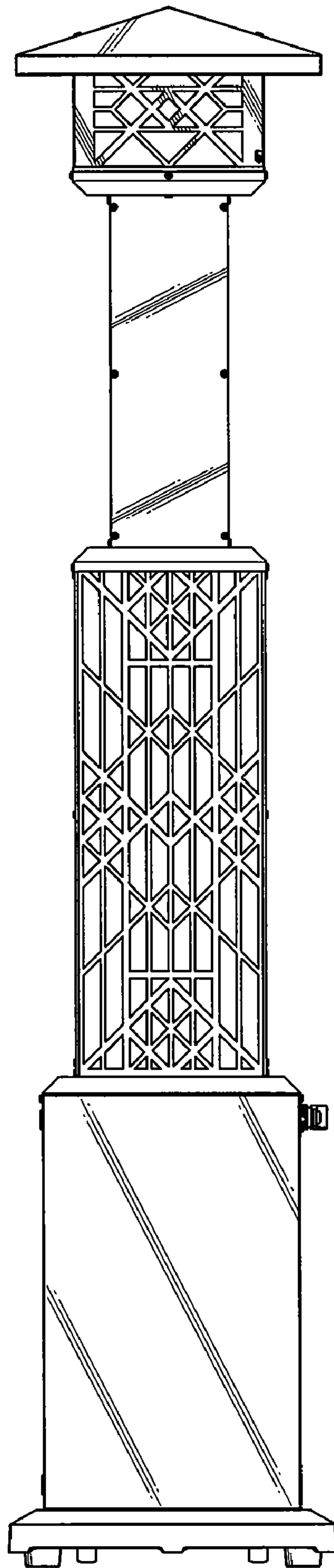


FIG. 2

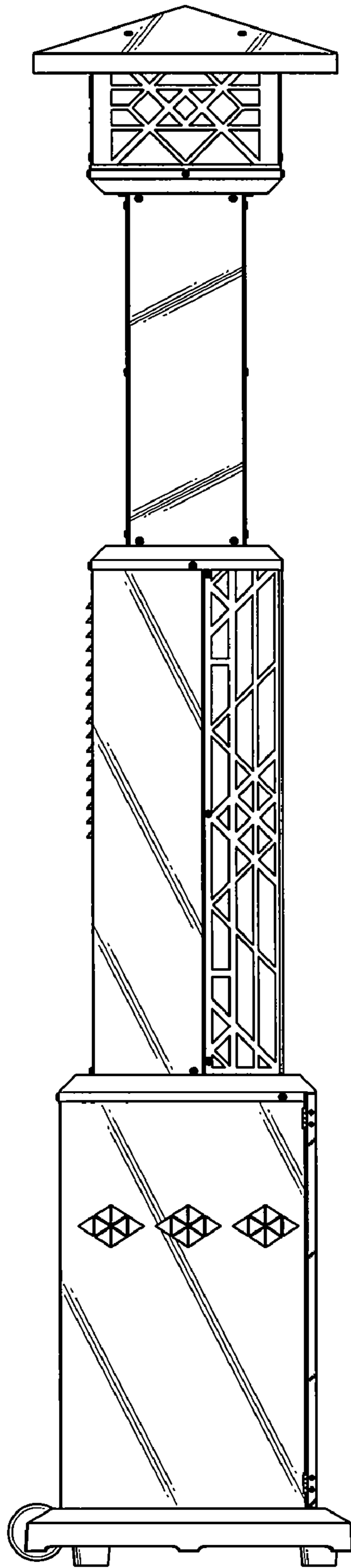


FIG. 3

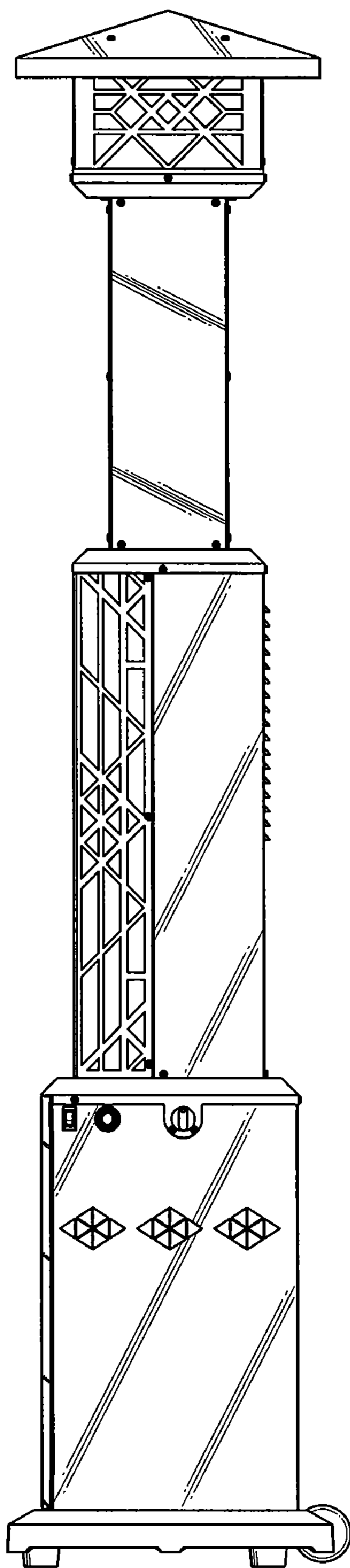


FIG. 4

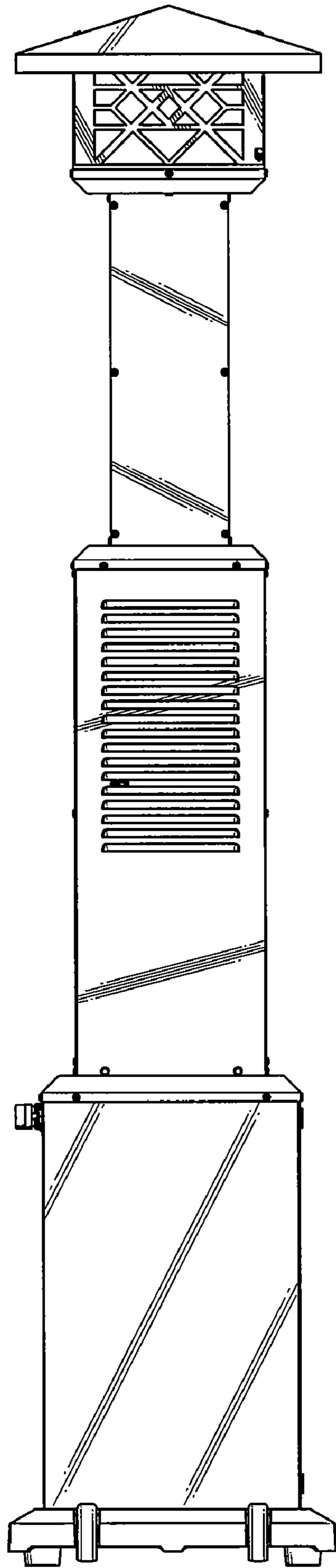


FIG. 5

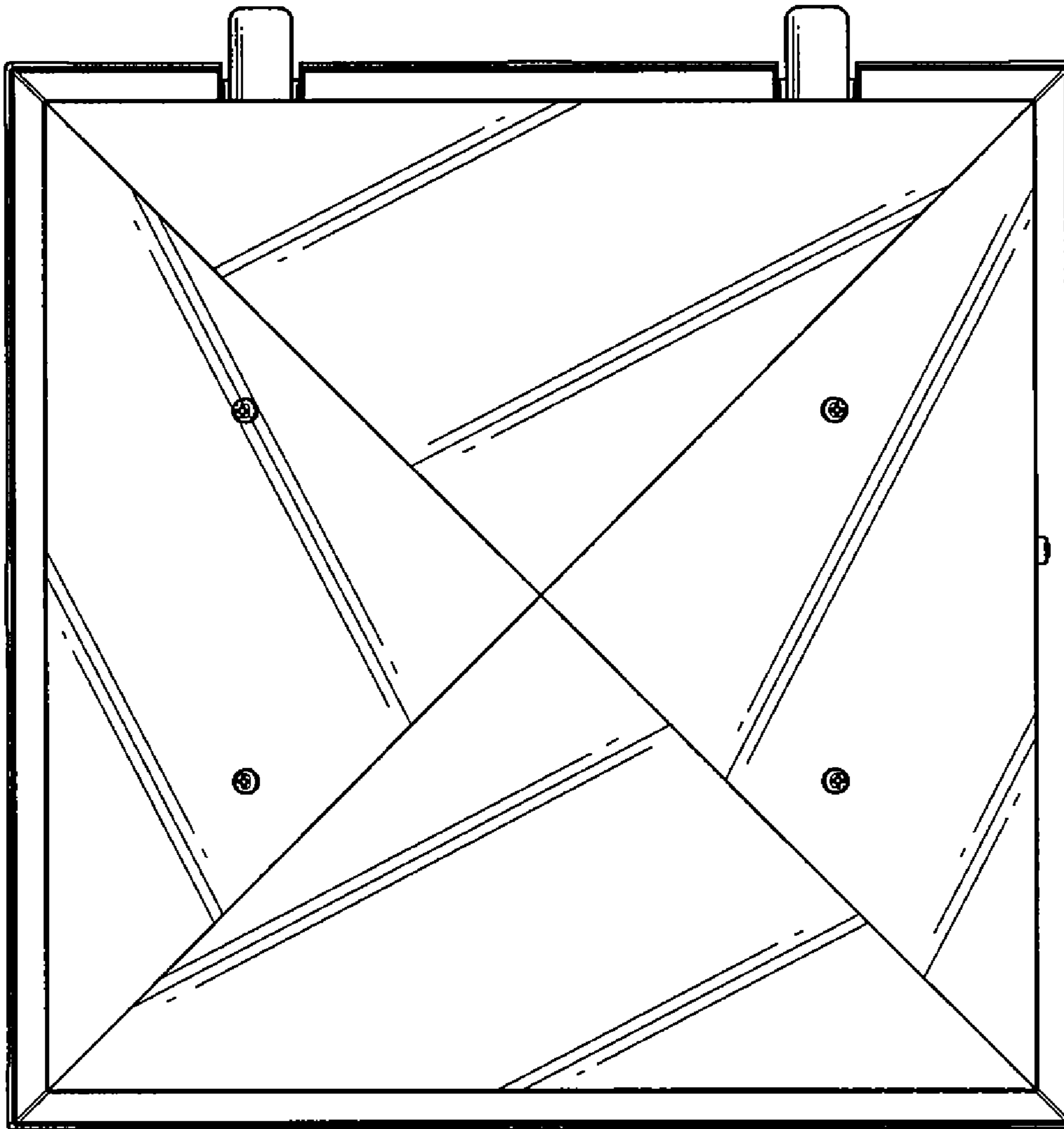


FIG. 6