



US00D567915S

(12) **United States Design Patent**
Graves et al.

(10) **Patent No.:** **US D567,915 S**

(45) **Date of Patent:** **** Apr. 29, 2008**

(54) **TUB RAIL**

(75) Inventors: **Michael Graves**, Princeton, NJ (US);
David Peschel, Yardley, PA (US);
Donald Strum, Princeton, NJ (US);
Robert Van Varick, Yardley, PA (US);
Yuka Midorikawa, Bensalem, PA (US);
Sean Beaudette, Yardley, PA (US);
Matthew Tramontana, Plainsboro, NJ (US)

(73) Assignee: **Drive Medical Design & Manufacturing**, Port Washington, NY (US)

(**) Term: **14 Years**

(21) Appl. No.: **29/266,163**

(22) Filed: **Sep. 15, 2006**

(51) **LOC (8) Cl.** **23-02**

(52) **U.S. Cl.** **D23/304**

(58) **Field of Classification Search** D23/271,
D23/273, 275, 277, 280.1, 283, 303-306;
4/546, 538, 552, 596-597, 612-614, 661;
D24/204-205; D6/524-525

See application file for complete search history.

(56) **References Cited**

U.S. PATENT DOCUMENTS

D189,906 S *	3/1961	Best et al.	D23/304
6,332,230 B1 *	12/2001	Chang	D23/304
7,203,978 B1 *	4/2007	Chang	D23/303

* cited by examiner

Primary Examiner—Robert A. Delehanty

(74) *Attorney, Agent, or Firm*—Klaus P. Stoffel; Wolff & Samson PC

(57) **CLAIM**

The ornamental design for a tub rail, as shown and described.

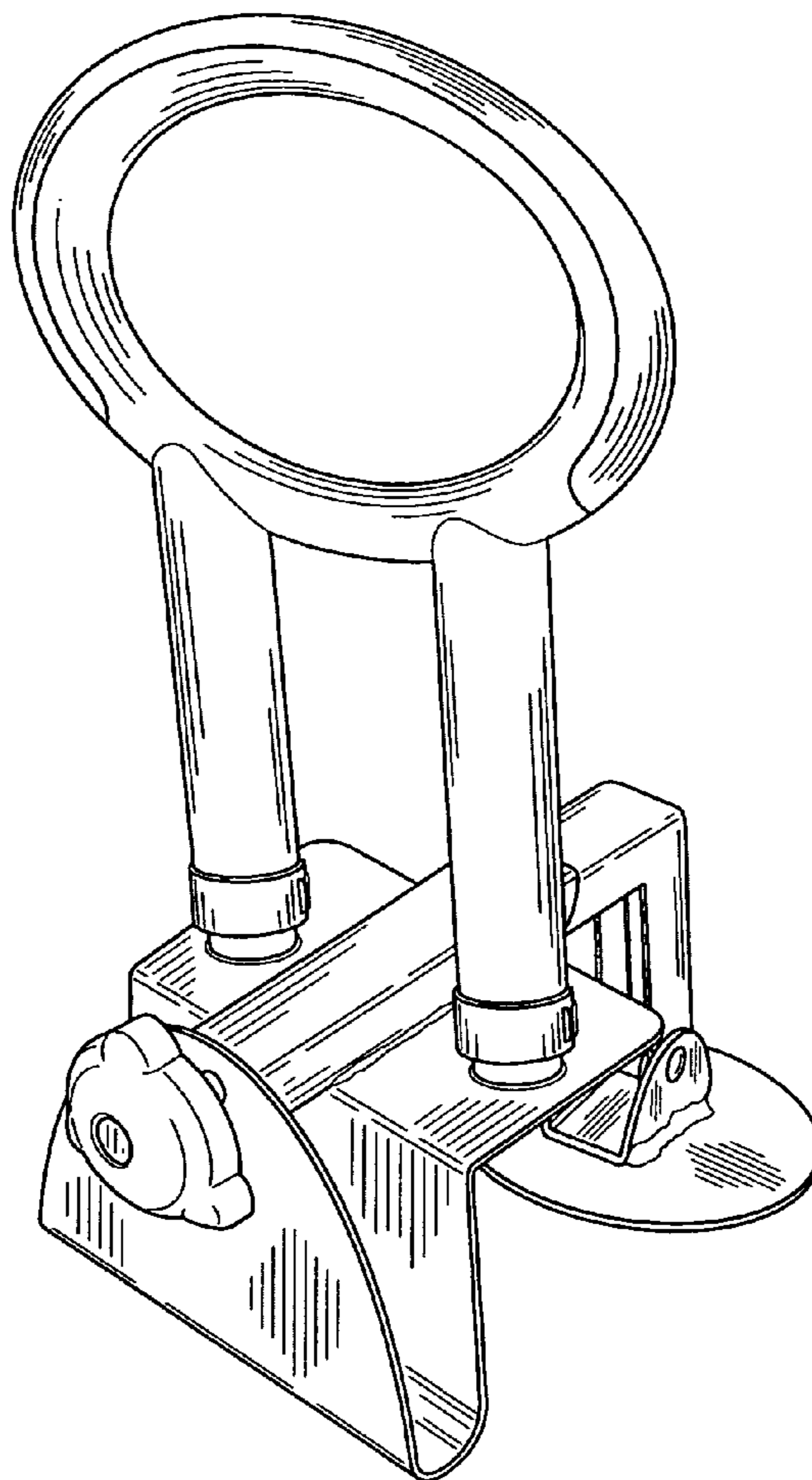
DESCRIPTION

FIG. 1 is a front right side perspective view of the tub rail of the present invention, in a lowered position;

FIG. 2 is a front view thereof in a raised position; and,

FIG. 3 is a rear perspective view thereof.

1 Claim, 3 Drawing Sheets



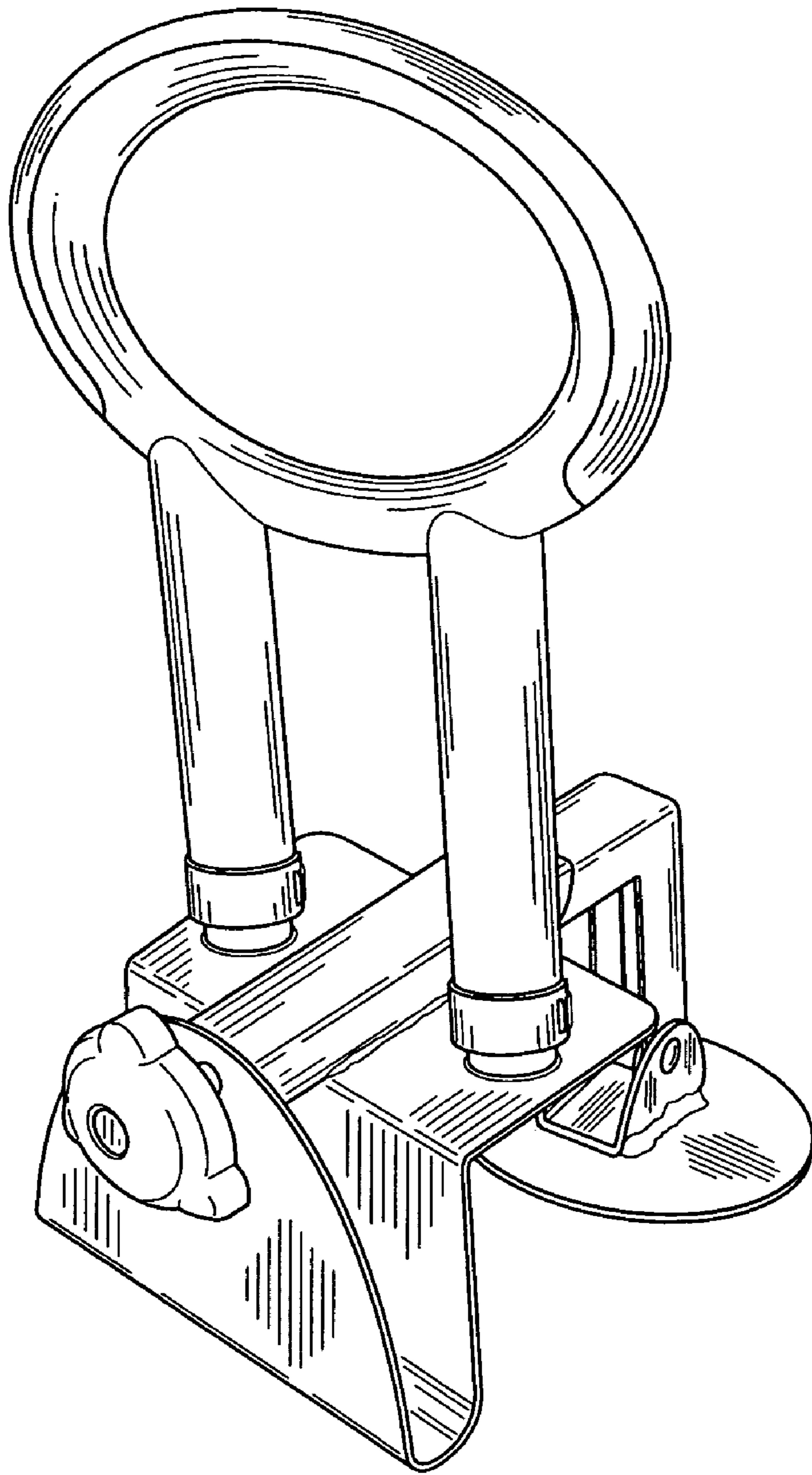


FIG. 1

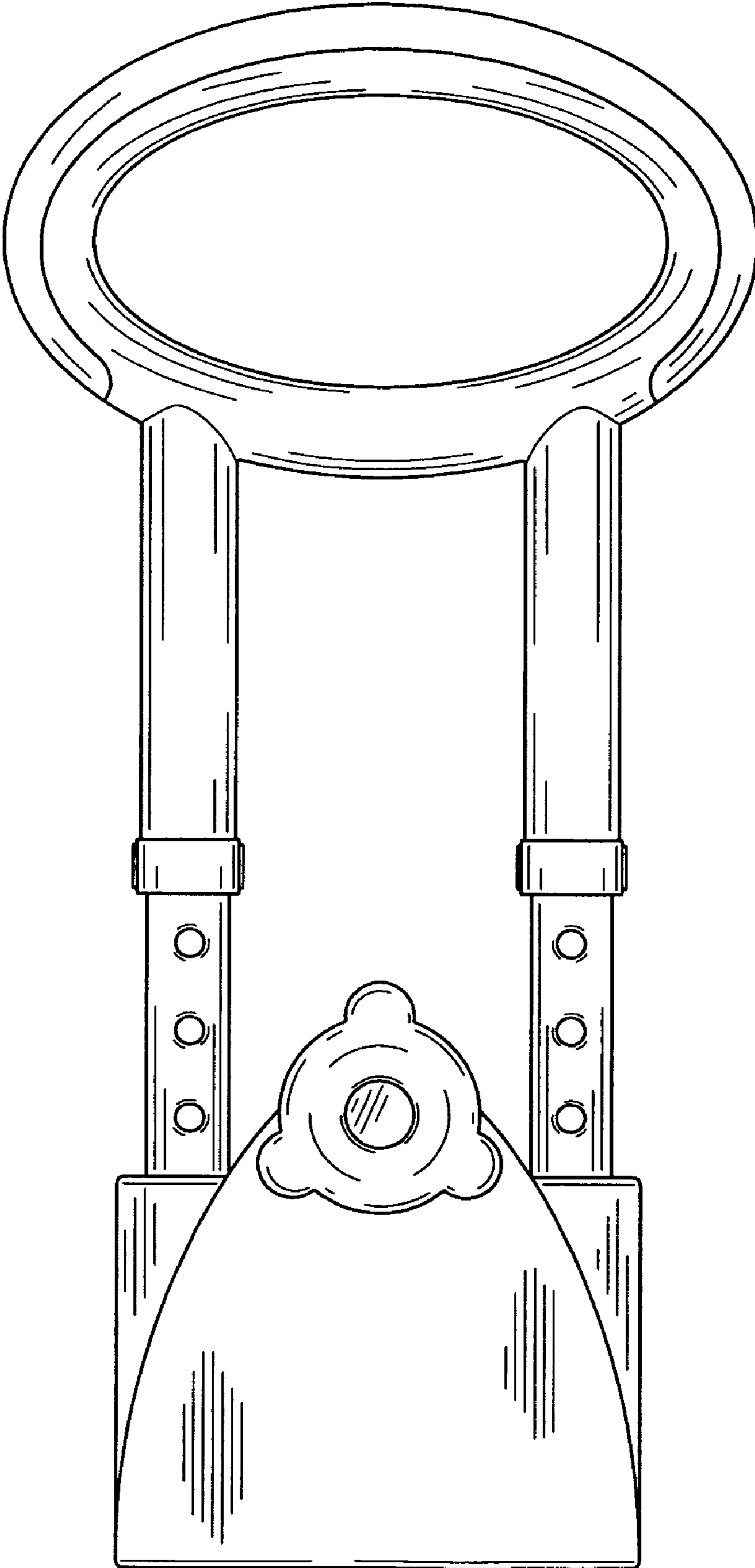


FIG. 2

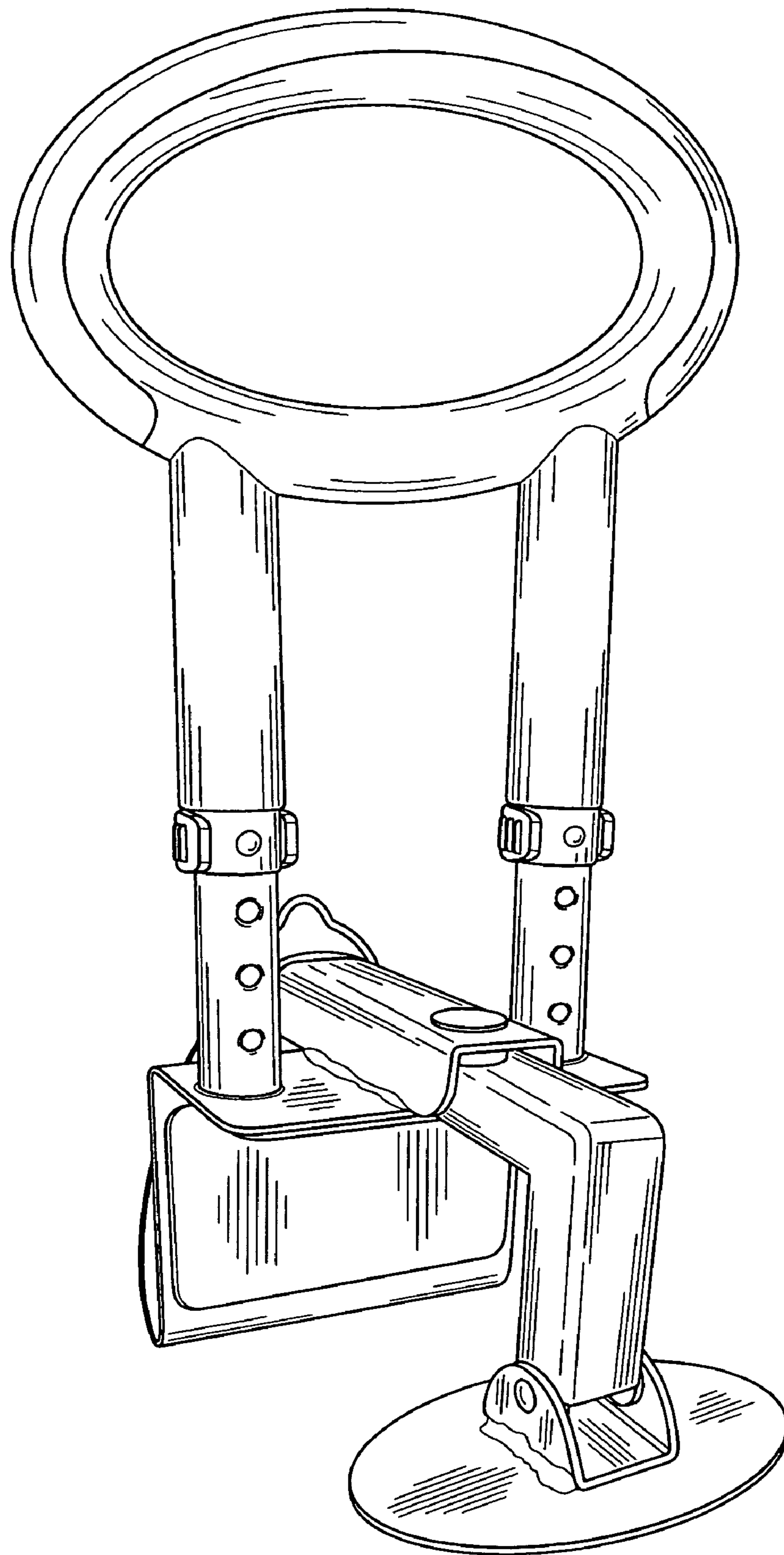


FIG. 3