



US00D567910S

(12) **United States Design Patent**
Shieh

(10) **Patent No.:** **US D567,910 S**

(45) **Date of Patent:** **** Apr. 29, 2008**

(54) **COLD AND HOT WATER MIXING SHOWER FAUCET**

Primary Examiner—Robert A. Delehanty

(74) *Attorney, Agent, or Firm*—Alan Kamrath; Kamrath & Associates PA

(75) **Inventor:** **Ming-Dang Shieh**, Chang Hua Hsien (TW)

(57) **CLAIM**

(73) **Assignee:** **Horng Lai Industrial Co., Ltd.**, Chang Hua Hsien (TW)

The ornamental design for a cold and hot water mixing shower faucet, as shown and described.

(**) **Term:** **14 Years**

(21) **Appl. No.:** **29/248,782**

DESCRIPTION

(22) **Filed:** **Sep. 1, 2006**

FIG. 1 is a perspective view of a cold and hot water mixing shower faucet showing my design;

(51) **LOC (8) Cl.** **23-02**

(52) **U.S. Cl.** **D23/241**

FIG. 2 is a front cold and hot water mixing shower faucet view thereof;

(58) **Field of Classification Search** D23/238–243,
D23/250–257; 4/675–678; 137/801
See application file for complete search history.

FIG. 3 is a rear cold and hot water mixing shower faucet view thereof;

(56) **References Cited**

U.S. PATENT DOCUMENTS

D412,563 S * 8/1999 Milrud D23/304

D466,981 S * 12/2002 Cosolito et al. D23/242

D487,585 S * 3/2004 Shieh D23/241

D532,487 S * 11/2006 Citterio D23/252

FIG. 4 is a left side cold and hot water mixing shower faucet view thereof;

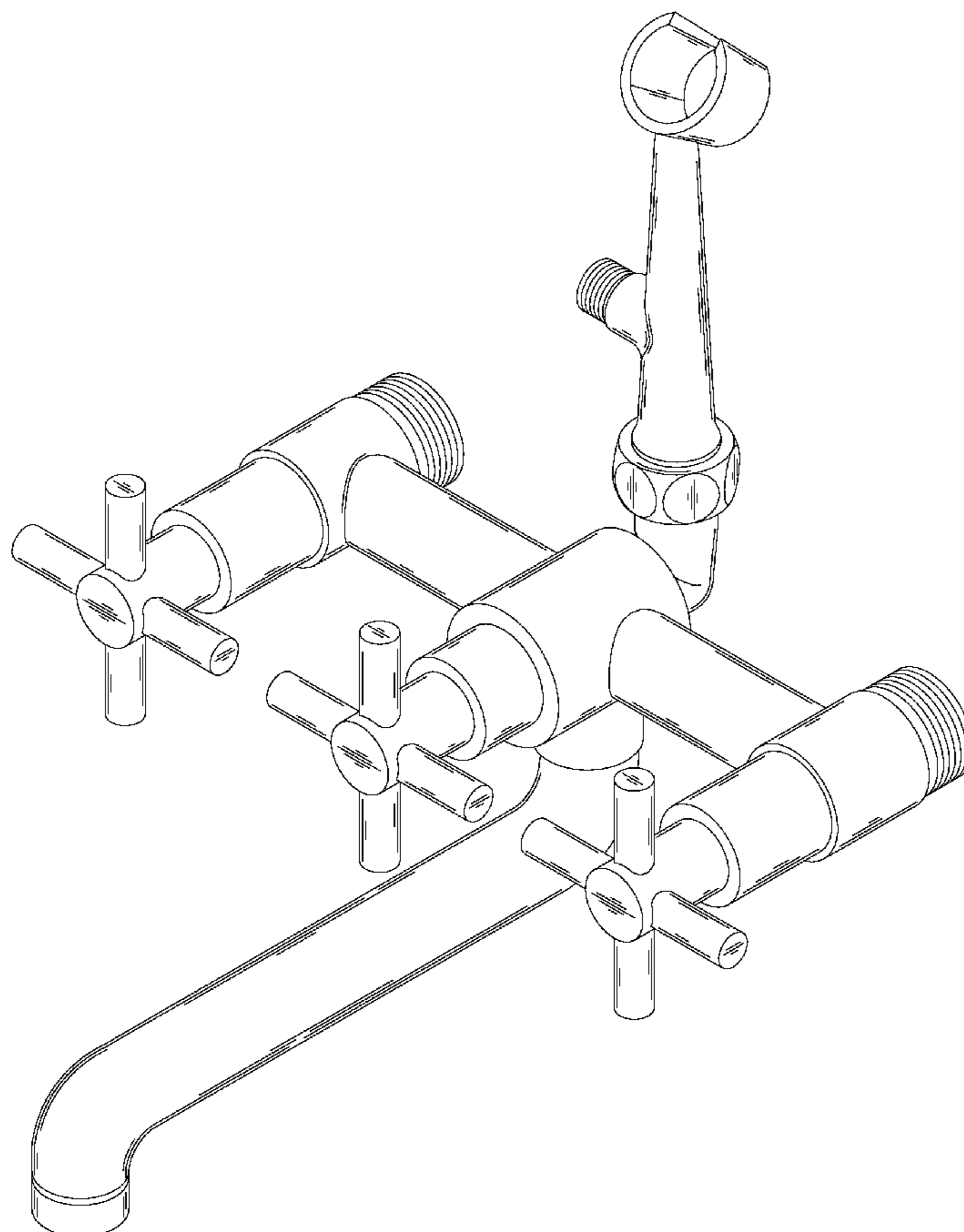
FIG. 5 is a right side cold and hot water mixing shower faucet view thereof;

FIG. 6 is a top plan view thereof; and,

FIG. 7 is a bottom plan view thereof.

* cited by examiner

1 Claim, 7 Drawing Sheets



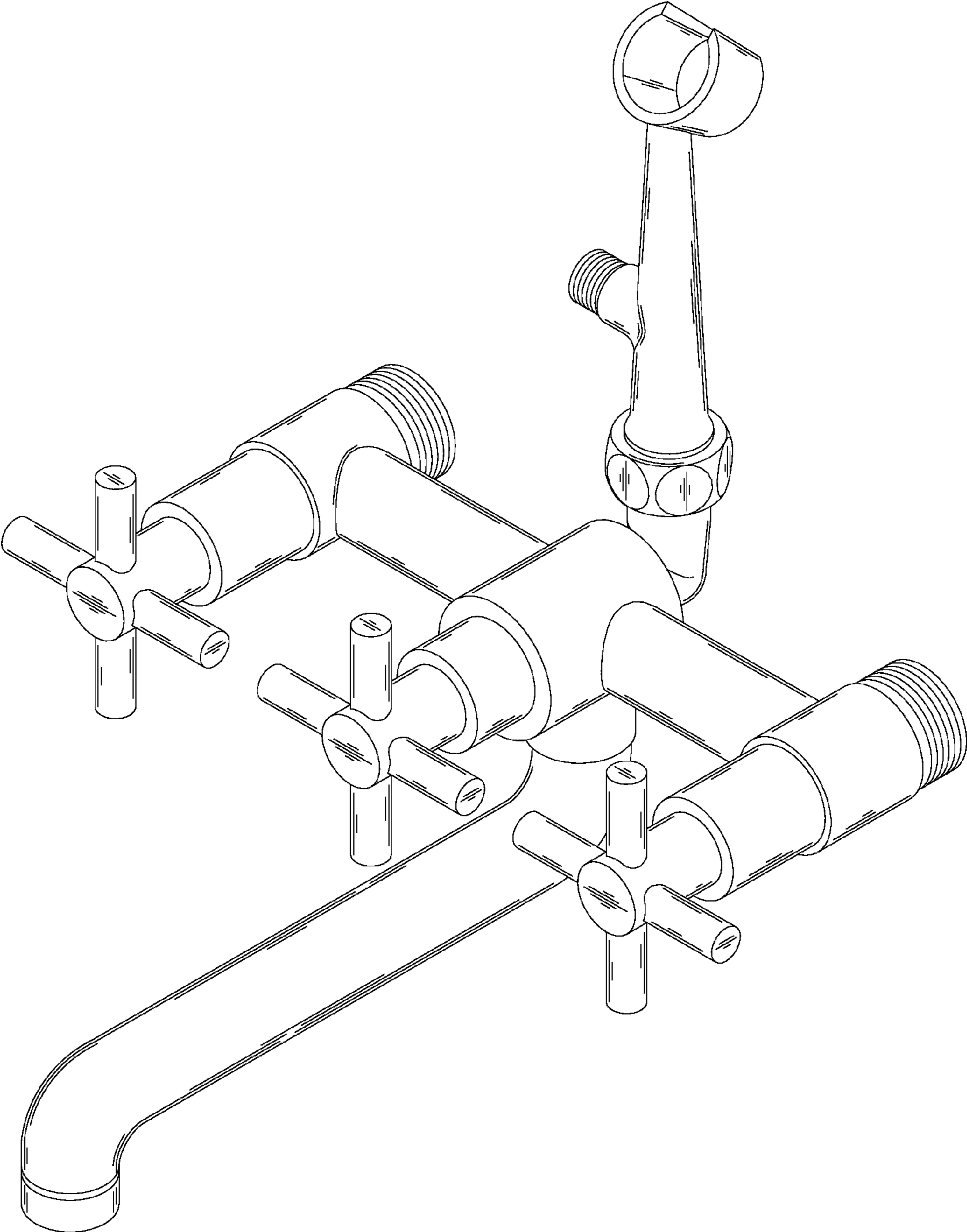


FIG. 1

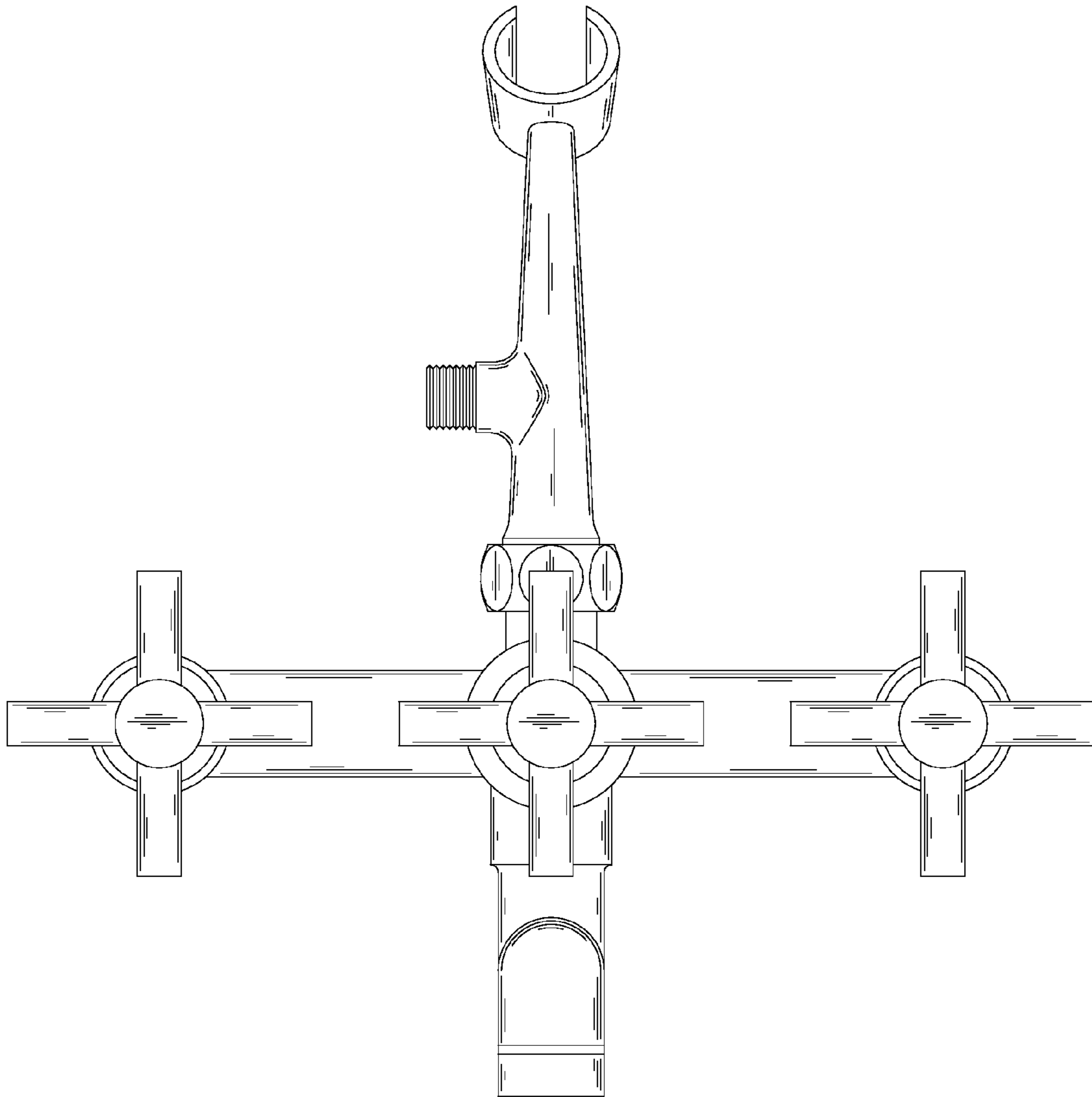


FIG. 2

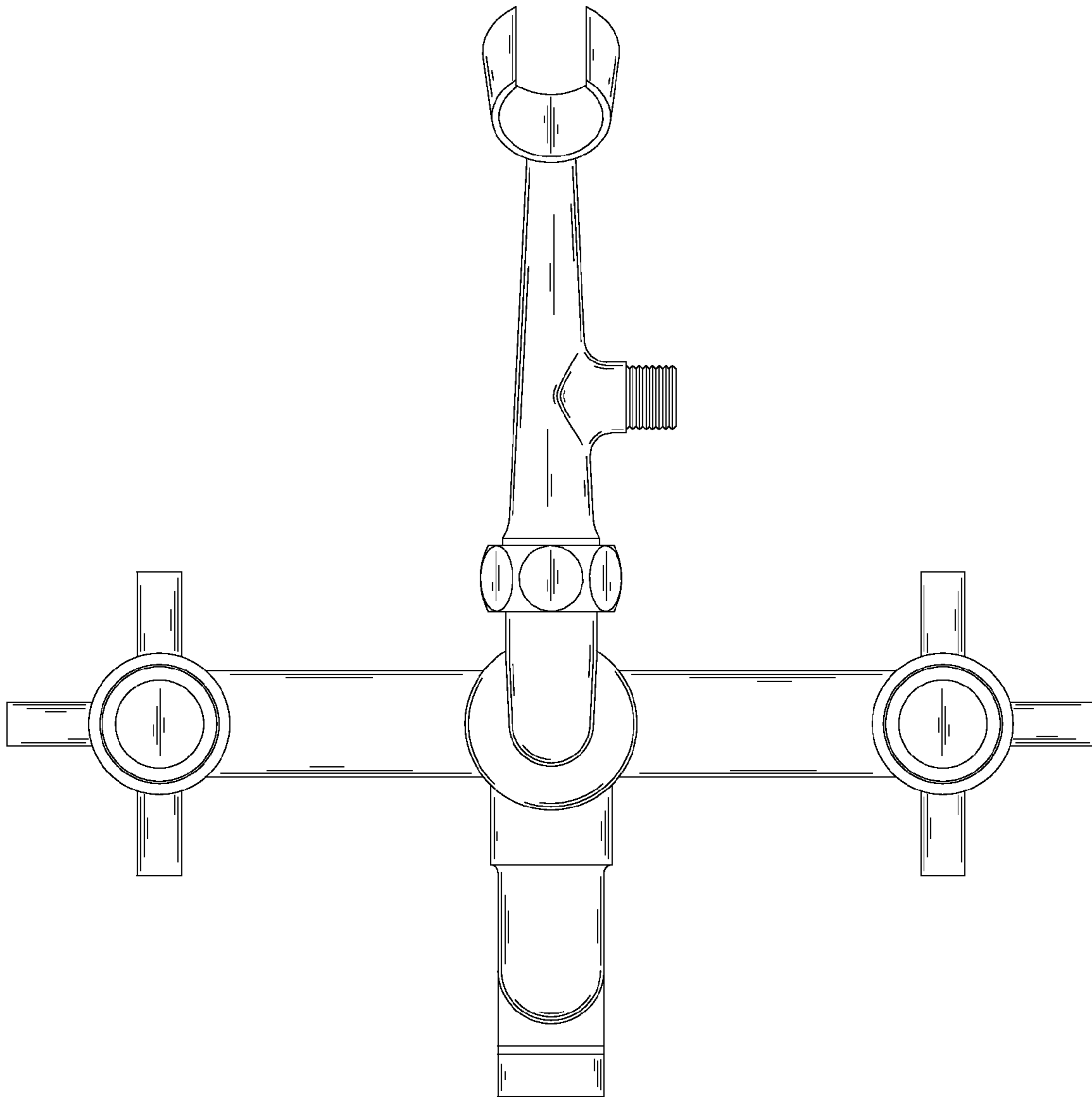


FIG. 3

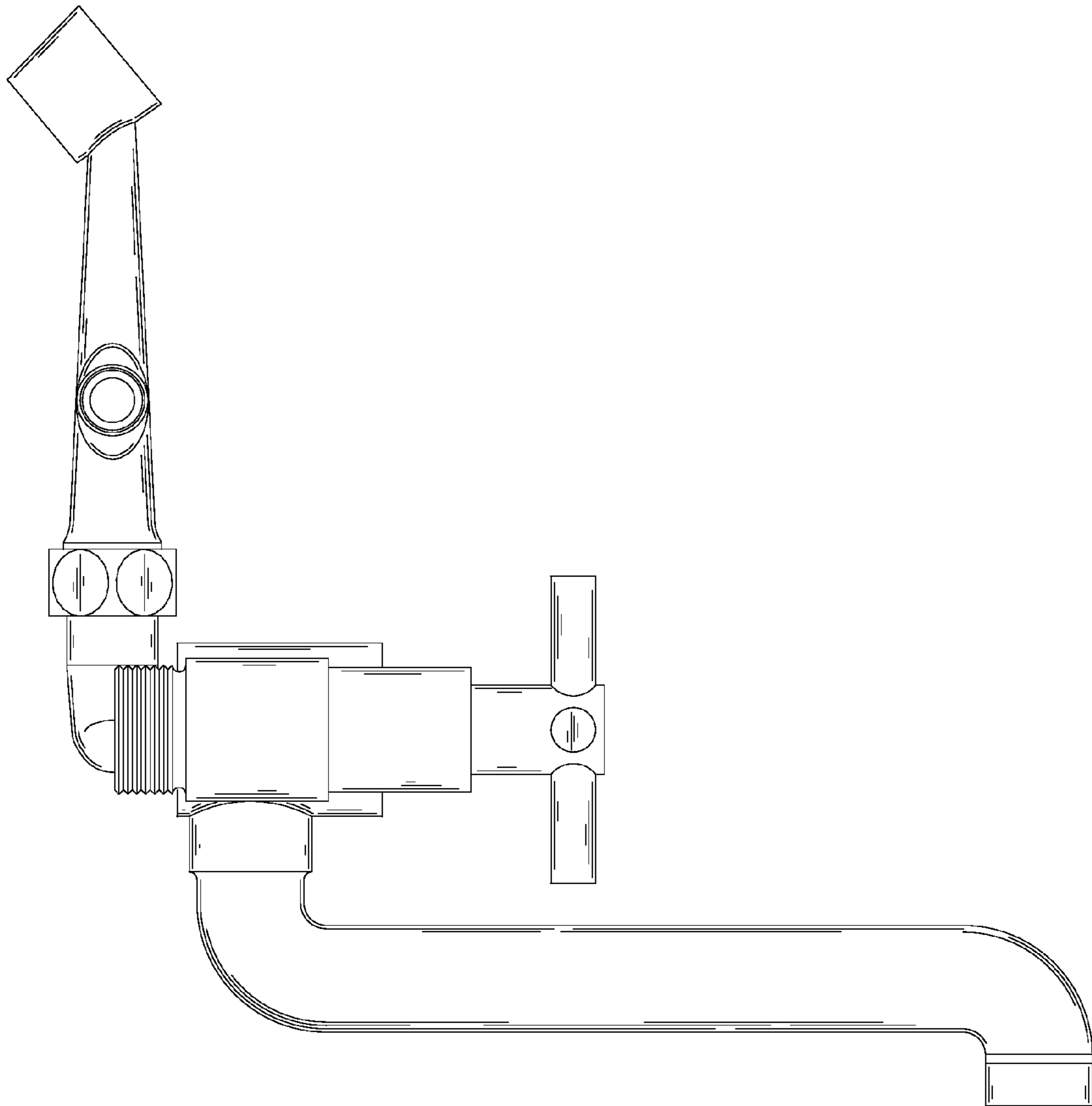


FIG. 4

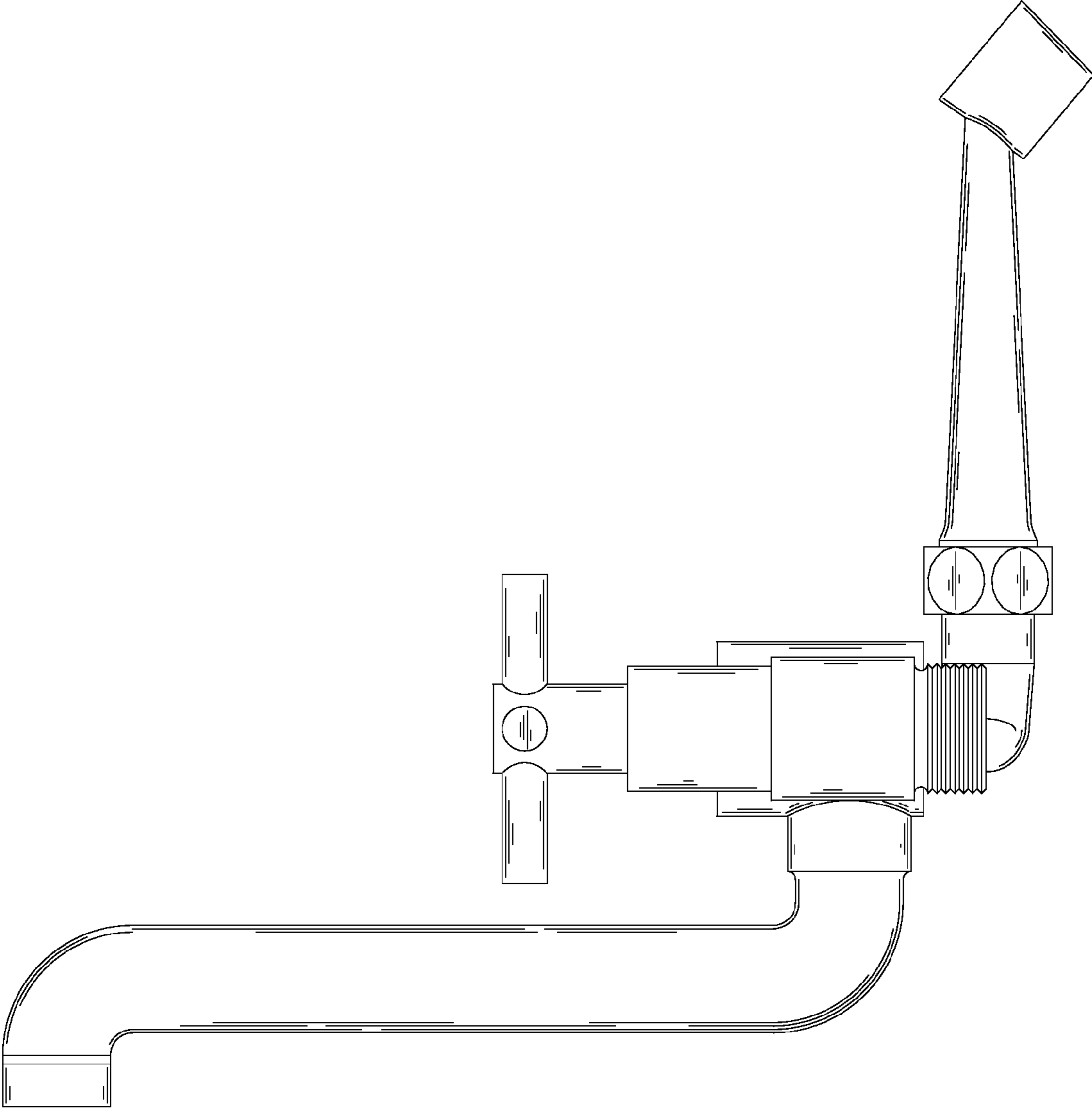


FIG. 5

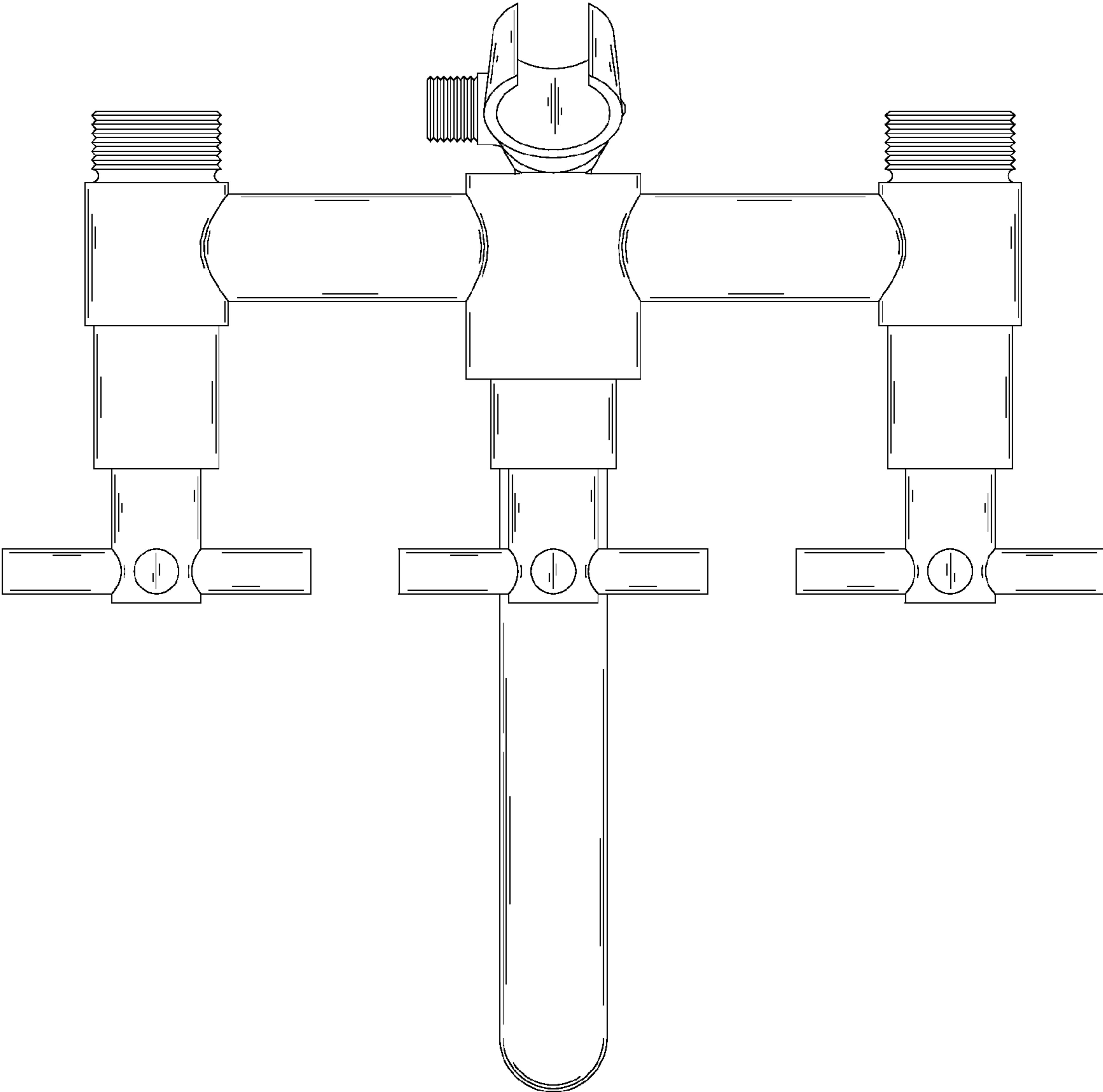


FIG. 6

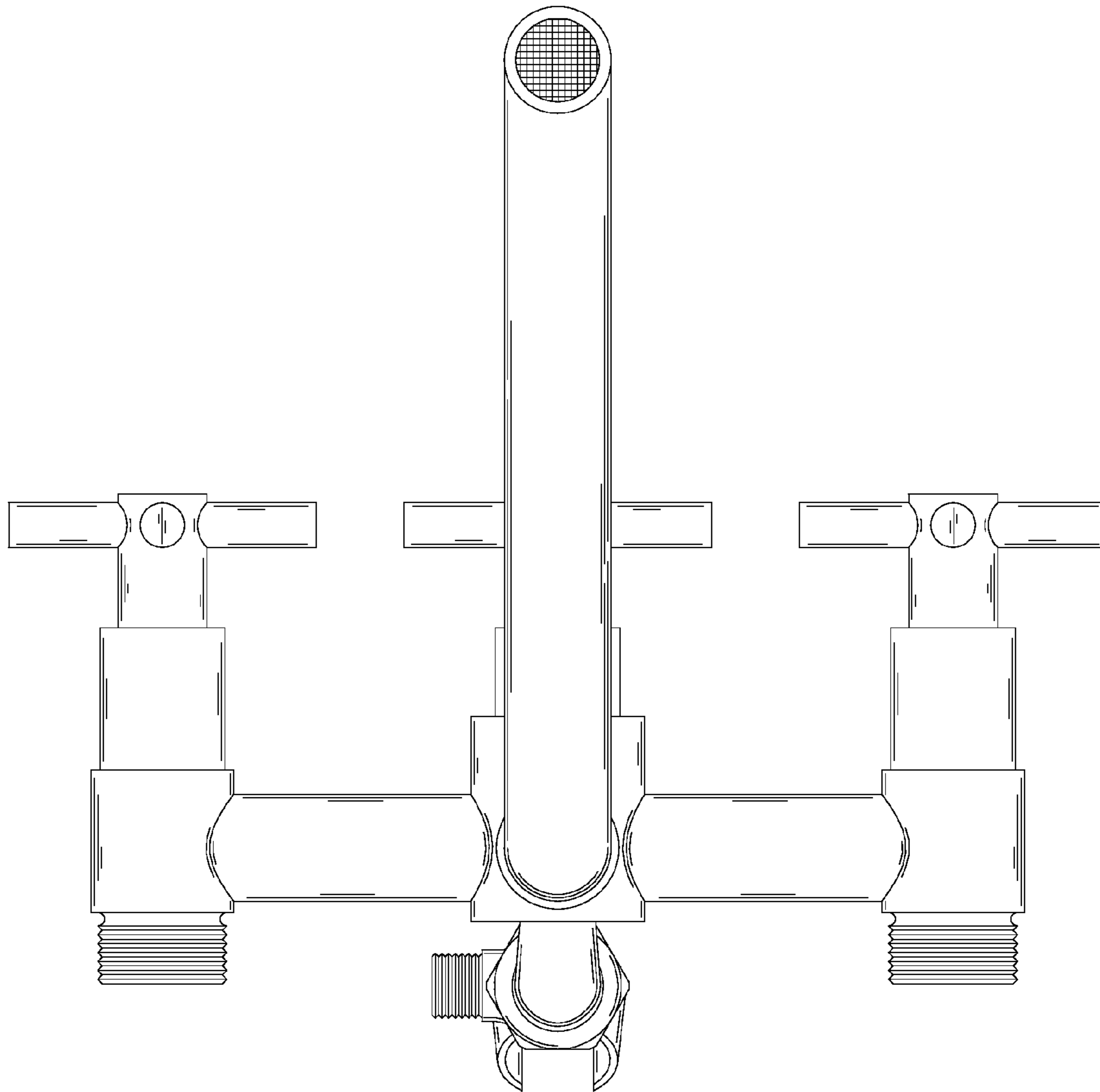


FIG. 7