



US00D567906S

(12) **United States Design Patent**
Huang

(10) **Patent No.:** **US D567,906 S**

(45) **Date of Patent:** **** Apr. 29, 2008**

(54) **SHOWER HEAD**

D534,242 S * 12/2006 Bailey et al. D23/229
D540,433 S * 4/2007 Dingler et al. D23/229

(75) Inventor: **Huangming Huang**, Shenzhen (CN)

* cited by examiner

(73) Assignee: **Globe Union Industrial Corp.**,
Taichung (TW)

Primary Examiner—Robin V Webster

(74) *Attorney, Agent, or Firm*—Leong C. Lei

(**) Term: **14 Years**

(57) **CLAIM**

(21) Appl. No.: **29/281,914**

The ornamental design for a shower head, as shown and described.

(22) Filed: **Jul. 6, 2007**

(51) **LOC (8) Cl.** **23-01**

(52) **U.S. Cl.** **D23/229**

(58) **Field of Classification Search** D23/213,
D23/223, 226, 229-30; 4/615; 239/525-526,
239/282-283, 394

See application file for complete search history.

DESCRIPTION

FIG. 1 is a perspective view of a shower head showing my new design;

FIG. 2 is a front elevational view thereof;

FIG. 3 is a left elevational view thereof;

FIG. 4 is a right side elevational view thereof;

FIG. 5 is a top plan elevational view thereof; and,

FIG. 6 is a bottom plan view thereof.

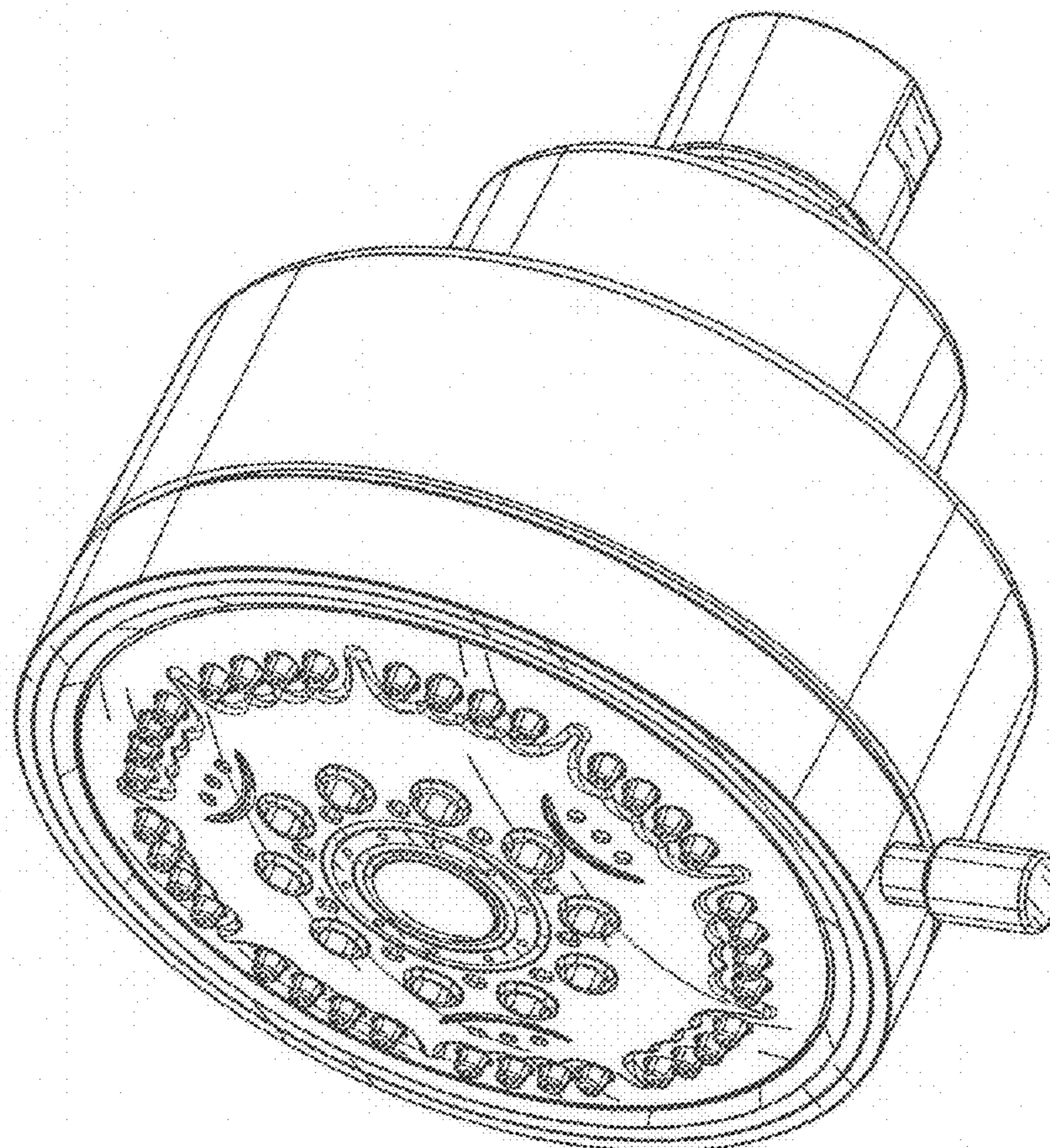
(56) **References Cited**

U.S. PATENT DOCUMENTS

6,618,872 B1 * 9/2003 Fan 4/615

D533,920 S * 12/2006 Dingler et al. D23/229

1 Claim, 6 Drawing Sheets



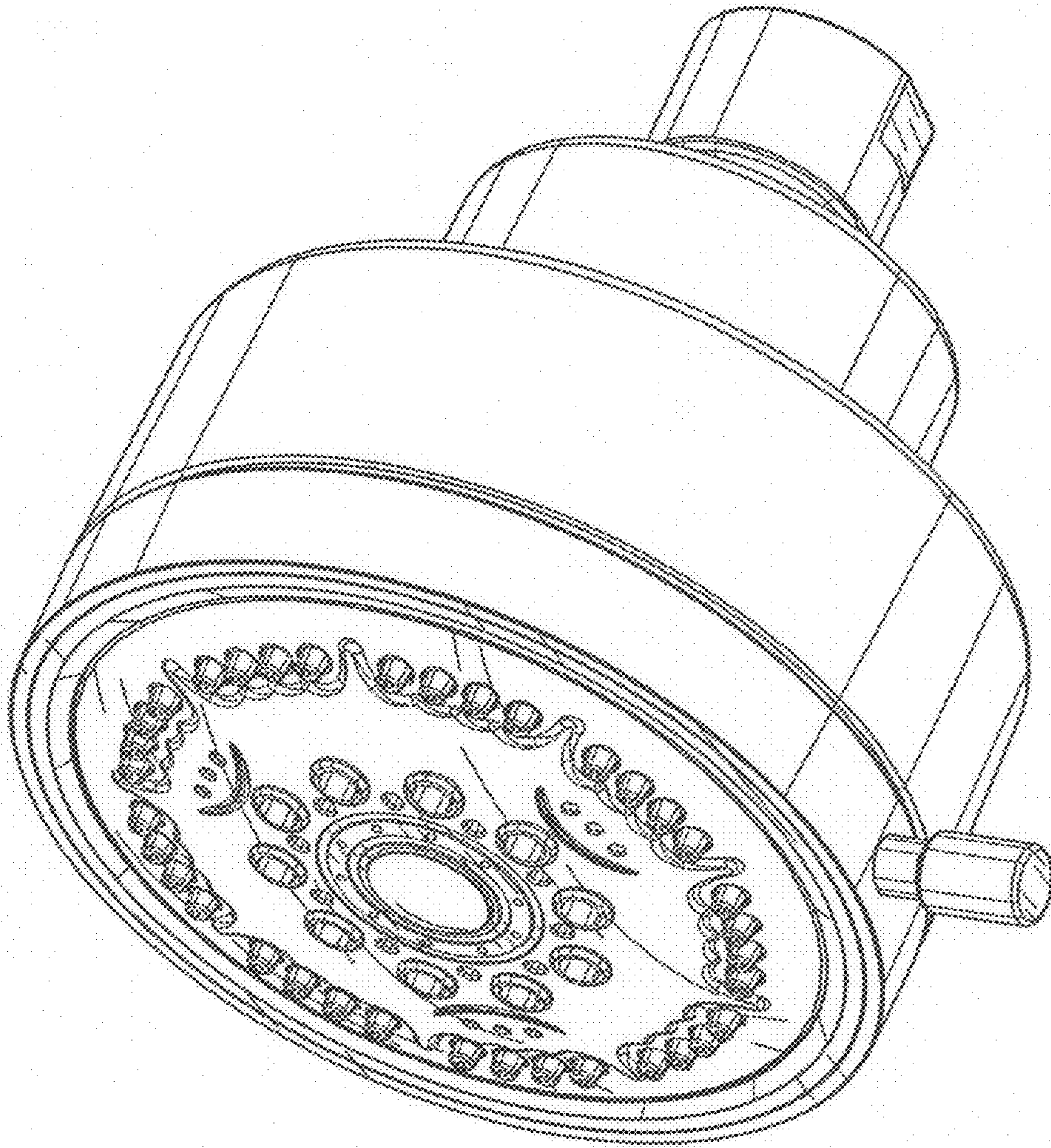


FIG. 1

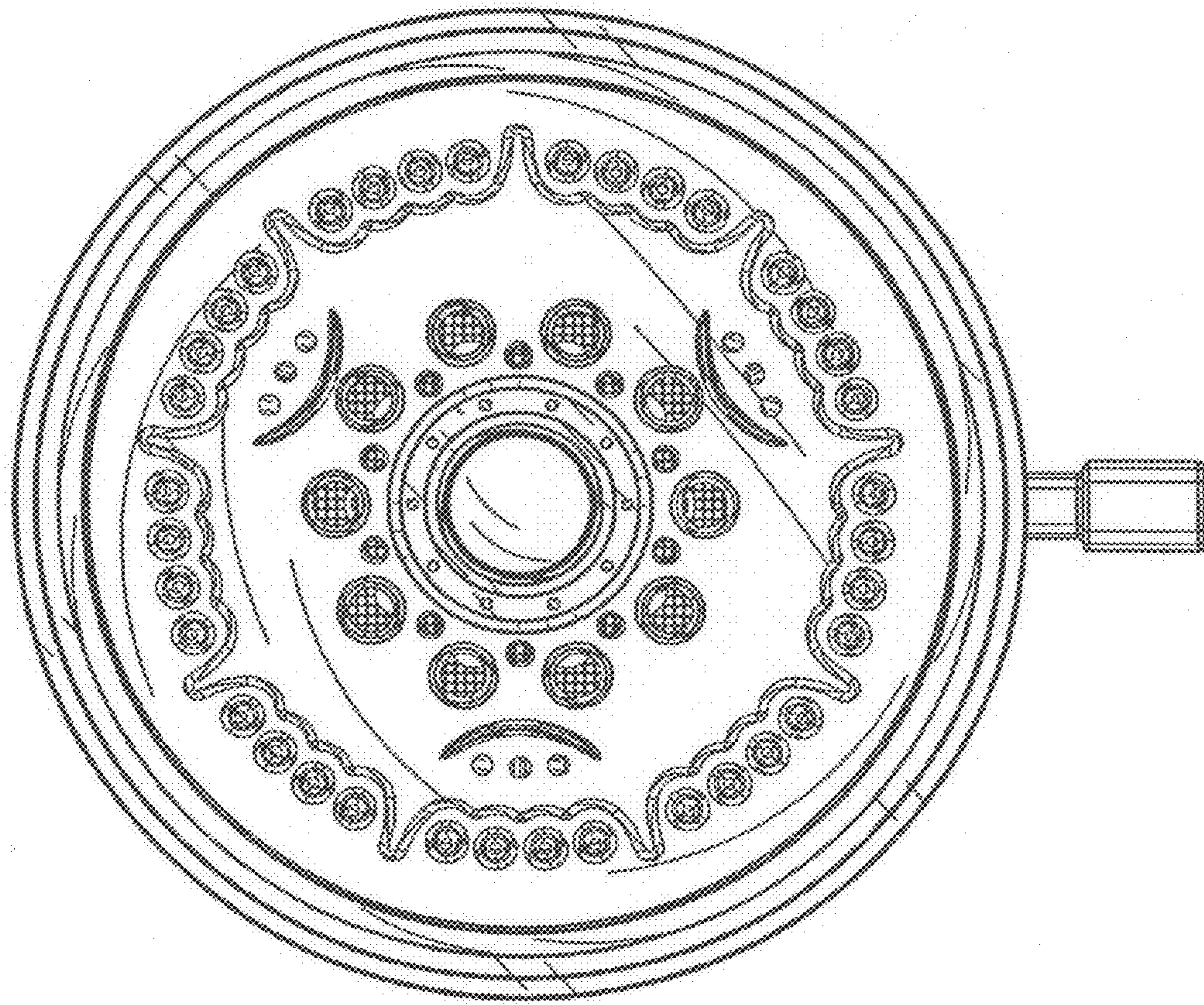


FIG. 2

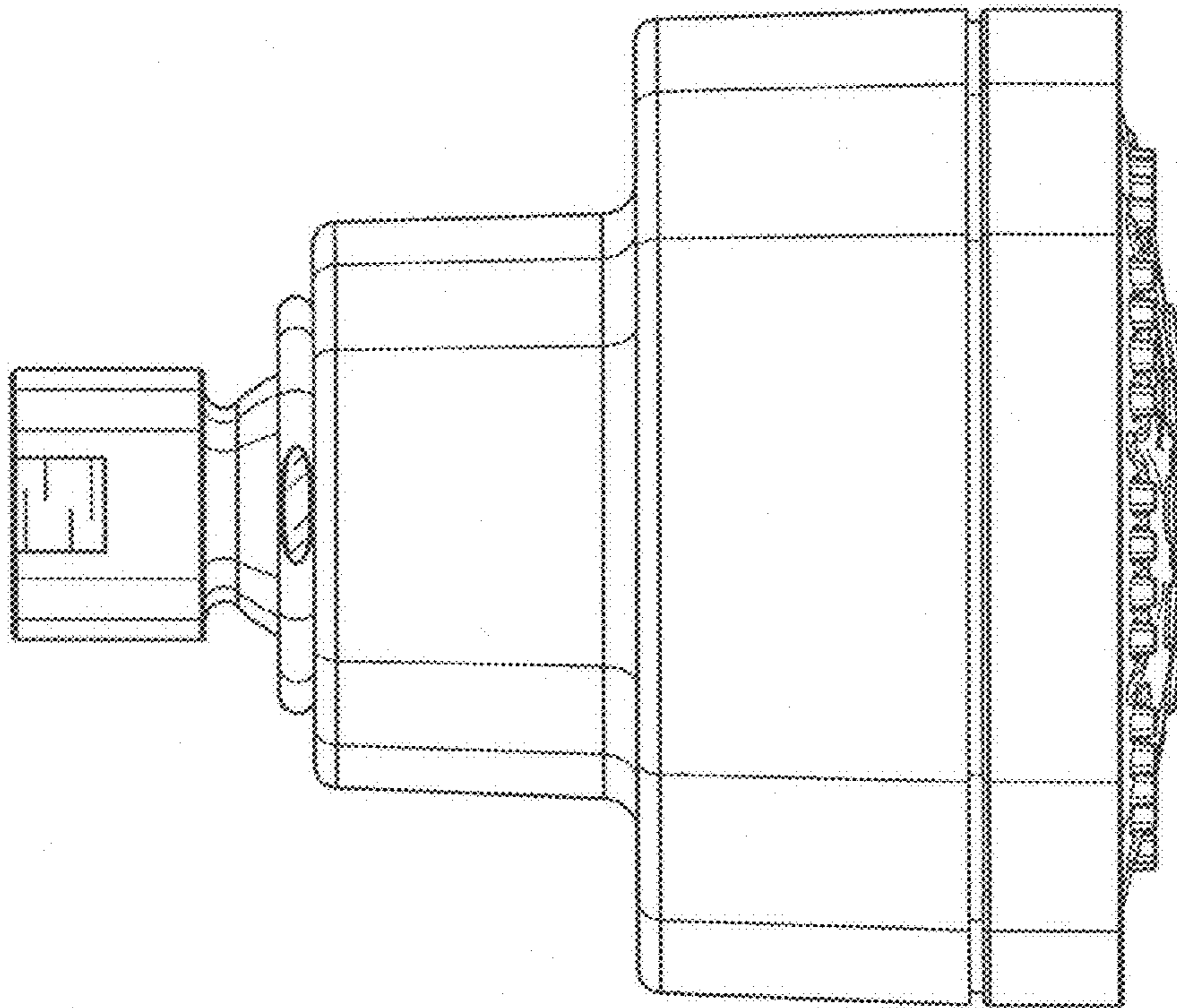


FIG. 3

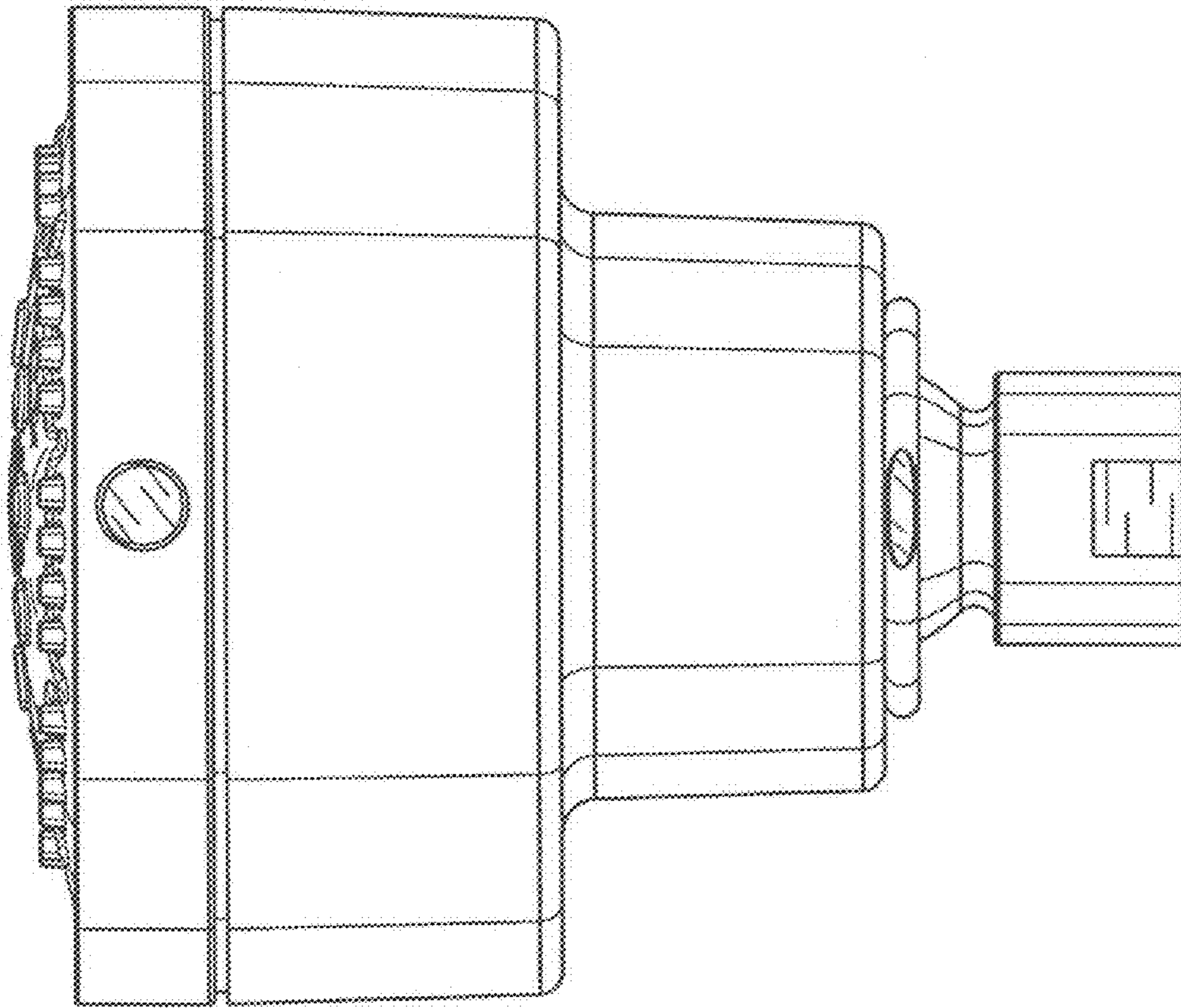


FIG. 4

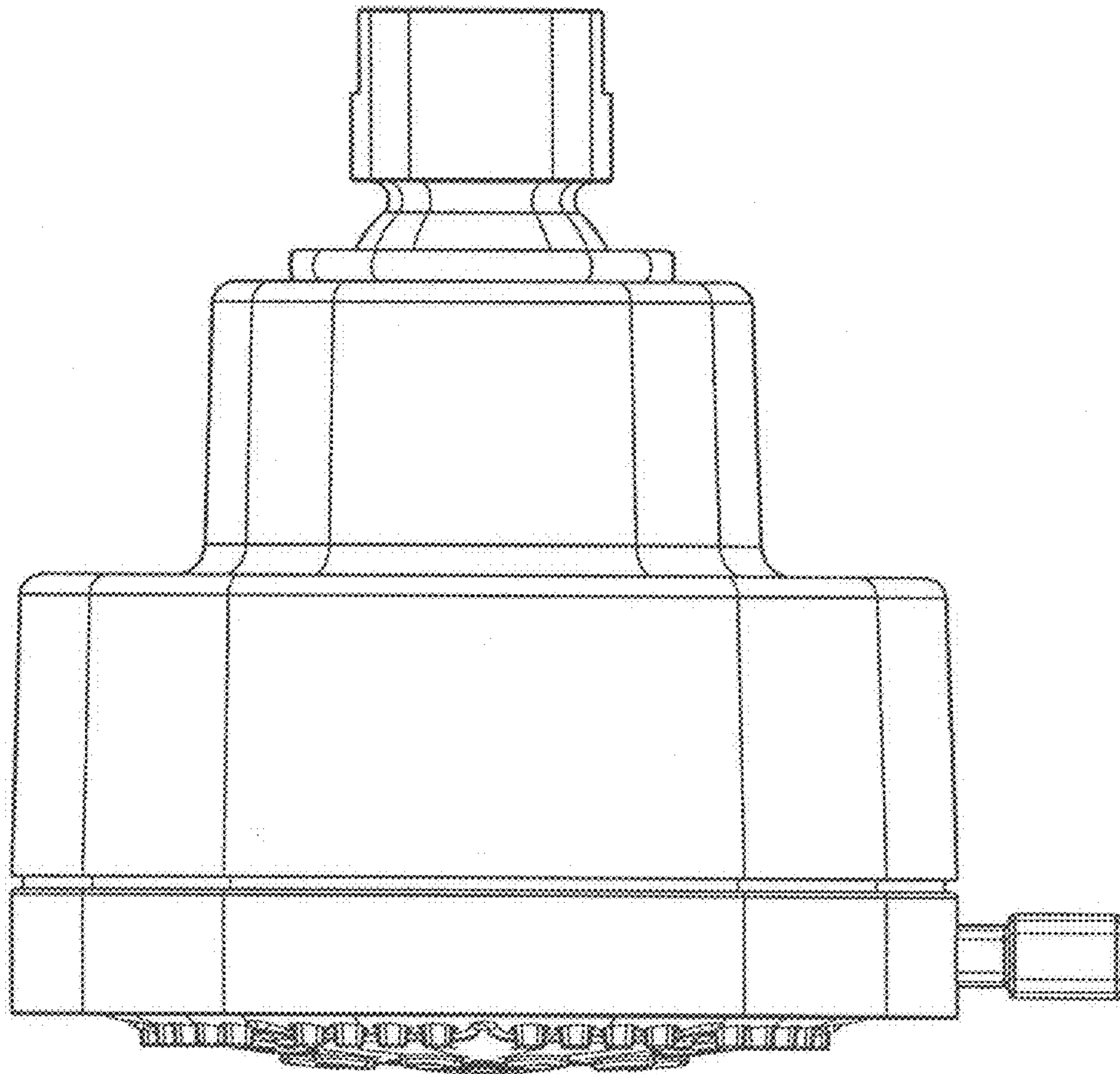


FIG. 5

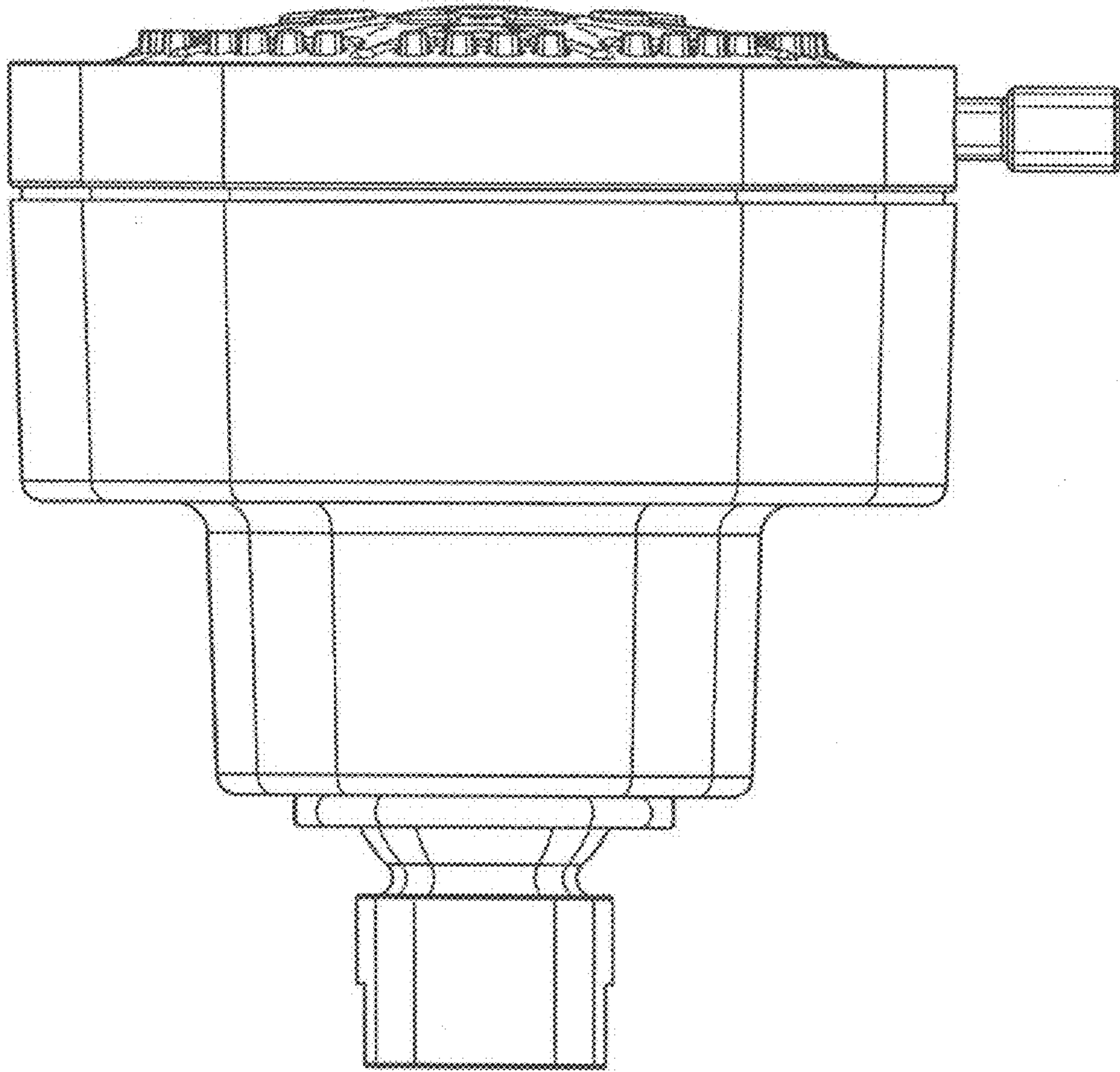


FIG. 6