



US00D567900S

(12) **United States Design Patent**
Patterson et al.

(10) **Patent No.:** **US D567,900 S**
(45) **Date of Patent:** **** Apr. 29, 2008**

(54) **NOZZLE CORE OF A NOZZLE ASSEMBLY
FOR CLEANING HEAT EXCHANGER TUBES**

6,609,531 B2 8/2003 Lesko 134/169
D520,106 S * 5/2006 Jones et al. D23/213
D520,107 S 5/2006 Jones et al. D23/213

(75) Inventors: **Daniel R. Patterson**, Oakmont, PA
(US); **Jeremy A. Watt**, Pittsburgh, PA
(US)

* cited by examiner

Primary Examiner—Robin V Webster

(73) Assignee: **Conco Systems, Inc.**, Verona, PA (US)

(74) *Attorney, Agent, or Firm*—Kratz, Quintos & Hanson,
LLP.

(**) Term: **14 Years**

(57) **CLAIM**

(21) Appl. No.: **29/272,957**

The ornamental design for a nozzle core of a nozzle assembly for cleaning heat exchanger tubes, as shown and described.

(22) Filed: **Feb. 22, 2007**

(51) **LOC (8) Cl.** **23-01**

DESCRIPTION

(52) **U.S. Cl.** **D23/213**

(58) **Field of Classification Search** D23/213;
15/406; 165/95

FIG. 1 is a perspective view of a nozzle core of a nozzle assembly for cleaning heat exchanger tubes of the invention;

FIG. 2 is a front elevational view of the invention;

FIG. 3 is a rear elevational view of the invention;

See application file for complete search history.

FIG. 4 is a left end elevational view of the invention as shown in FIG. 2;

(56) **References Cited**

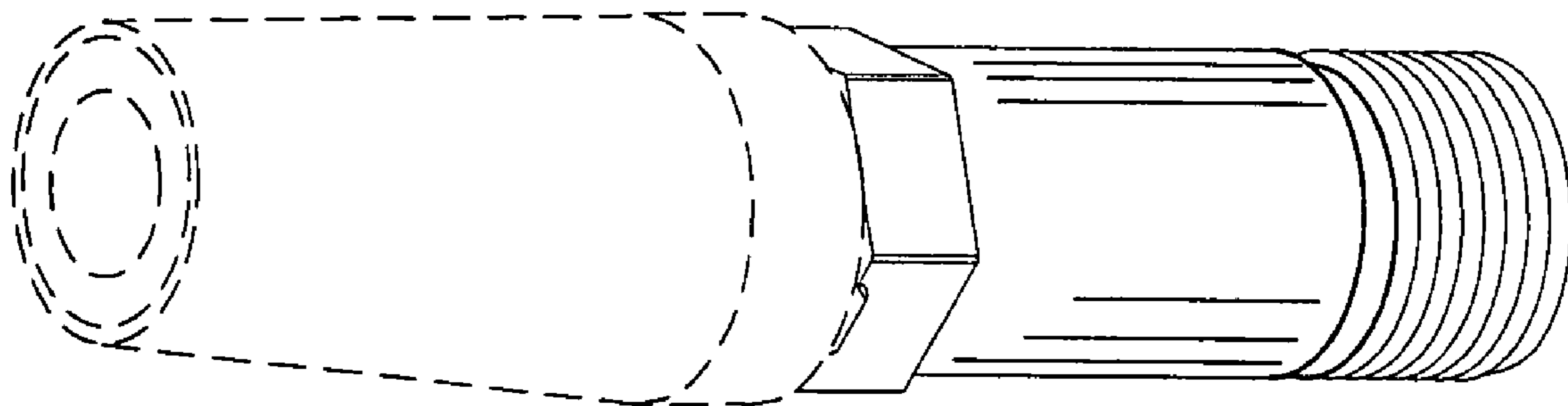
U.S. PATENT DOCUMENTS

1,022,974	A *	4/1912	Sargeant	15/406
3,263,934	A *	8/1966	Hope, Jr. et al.	239/556
3,934,303	A *	1/1976	Neithercutt	15/406
4,643,248	A	2/1987	Voith et al.	165/95
5,448,795	A	9/1995	Boughal	15/406
D391,349	S *	2/1998	Chih	D23/229
5,836,522	A *	11/1998	Przystawik	239/588
5,862,568	A *	1/1999	Sjoberg	15/304

FIG. 5 is a right end elevational view of the invention as shown in FIG. 2; and,

FIG. 6 is a perspective view of the invention, the broken line showing of a nozzle sleeve is for illustrative purposes only and forms no part of the claimed design.

1 Claim, 2 Drawing Sheets



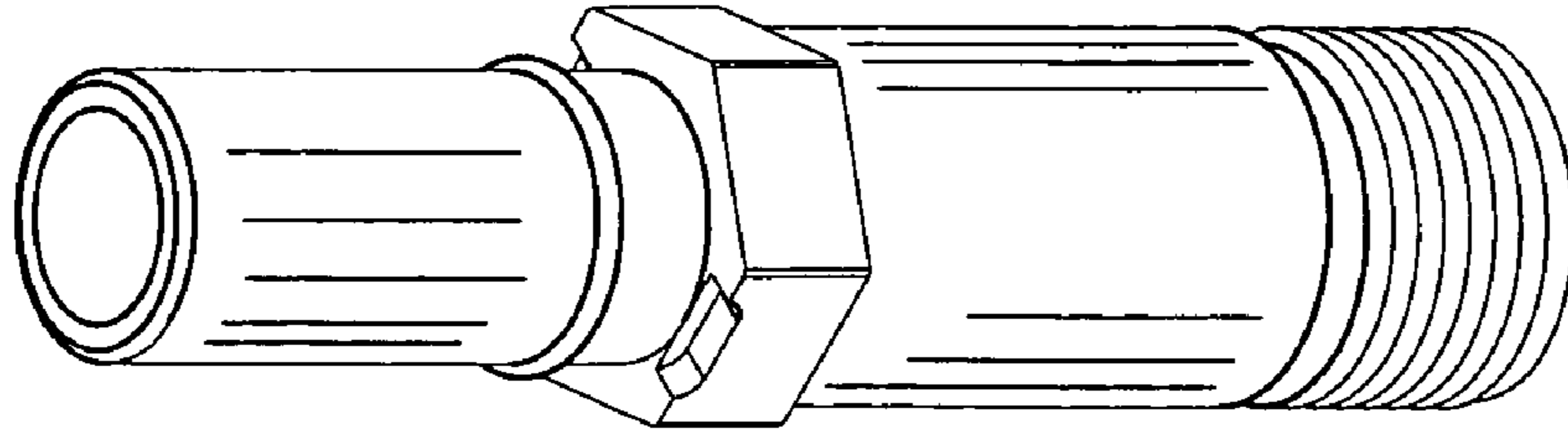


FIG. 1

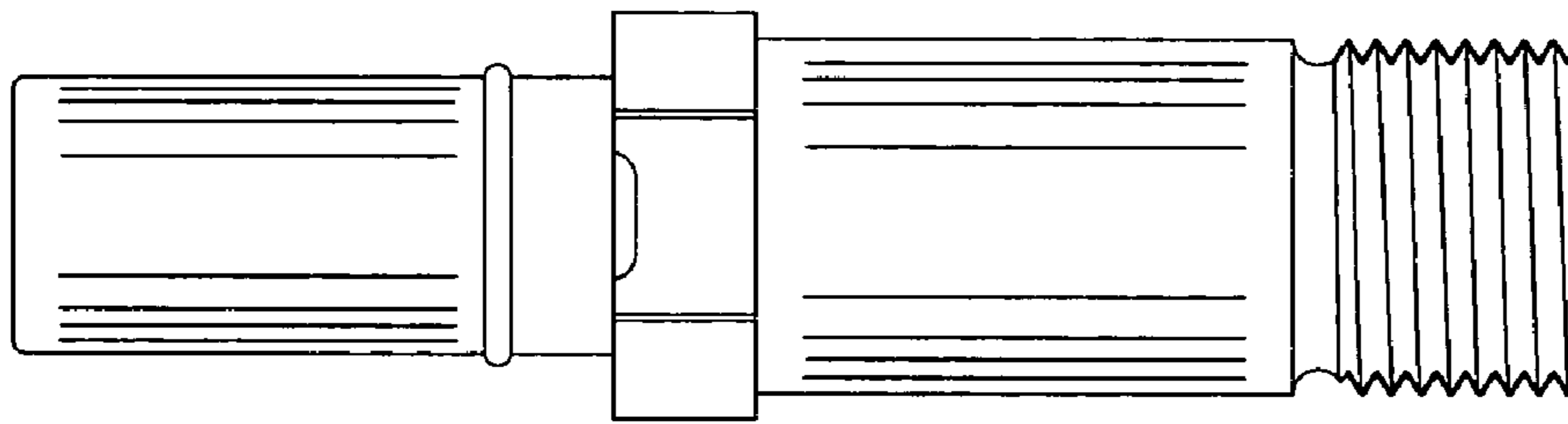


FIG. 2

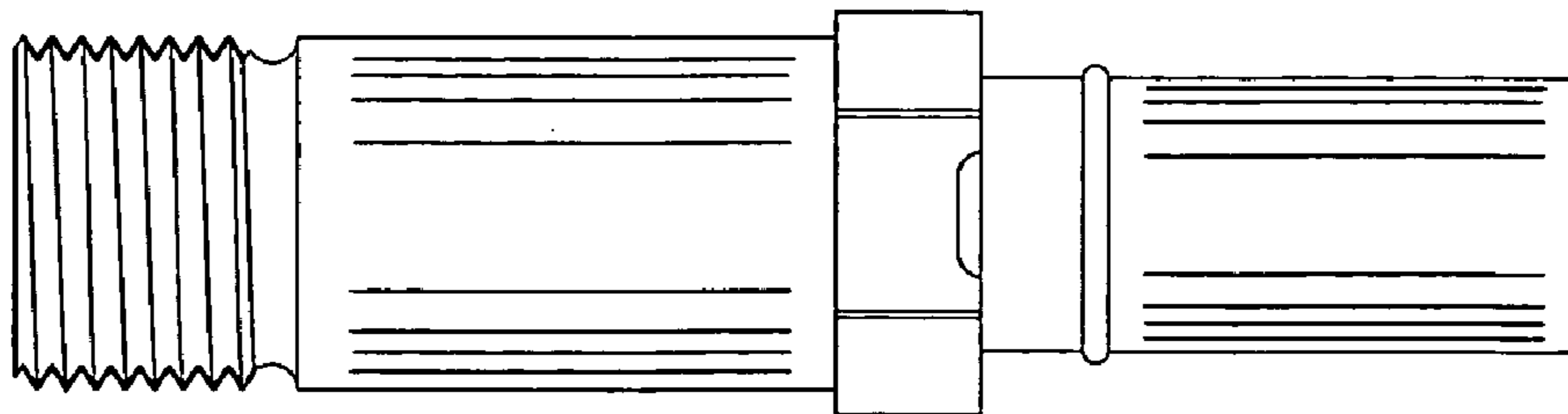


FIG. 3

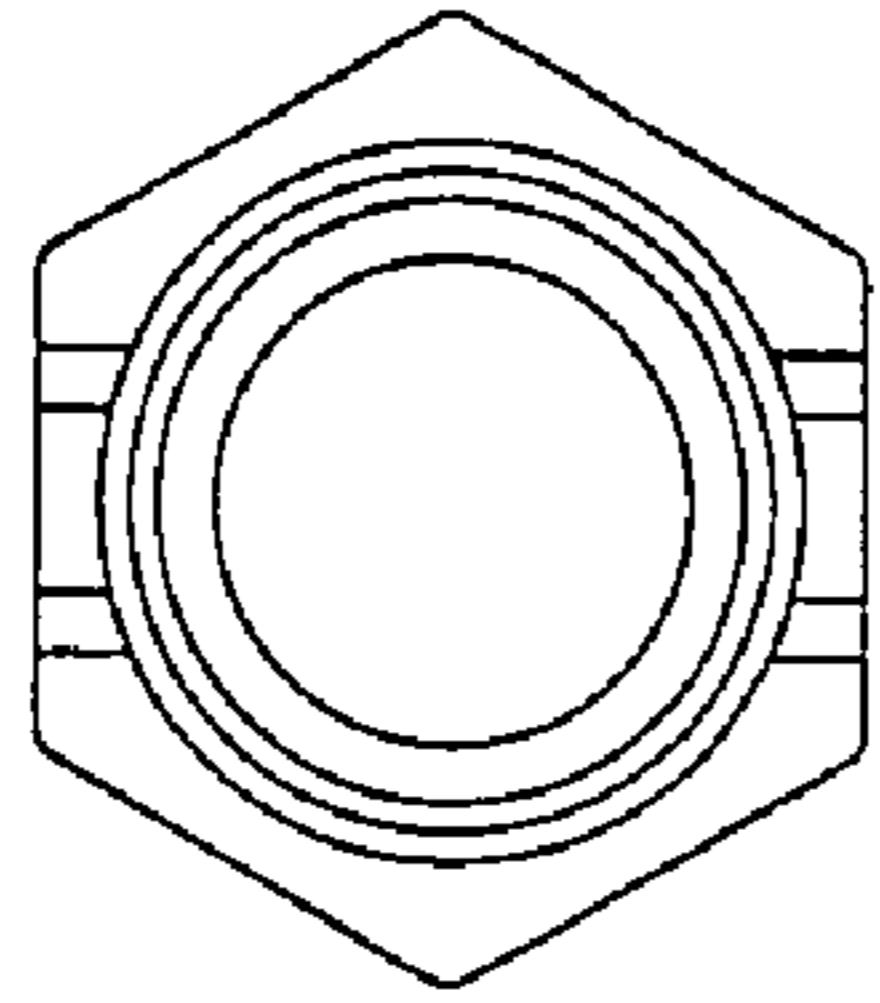


FIG. 4

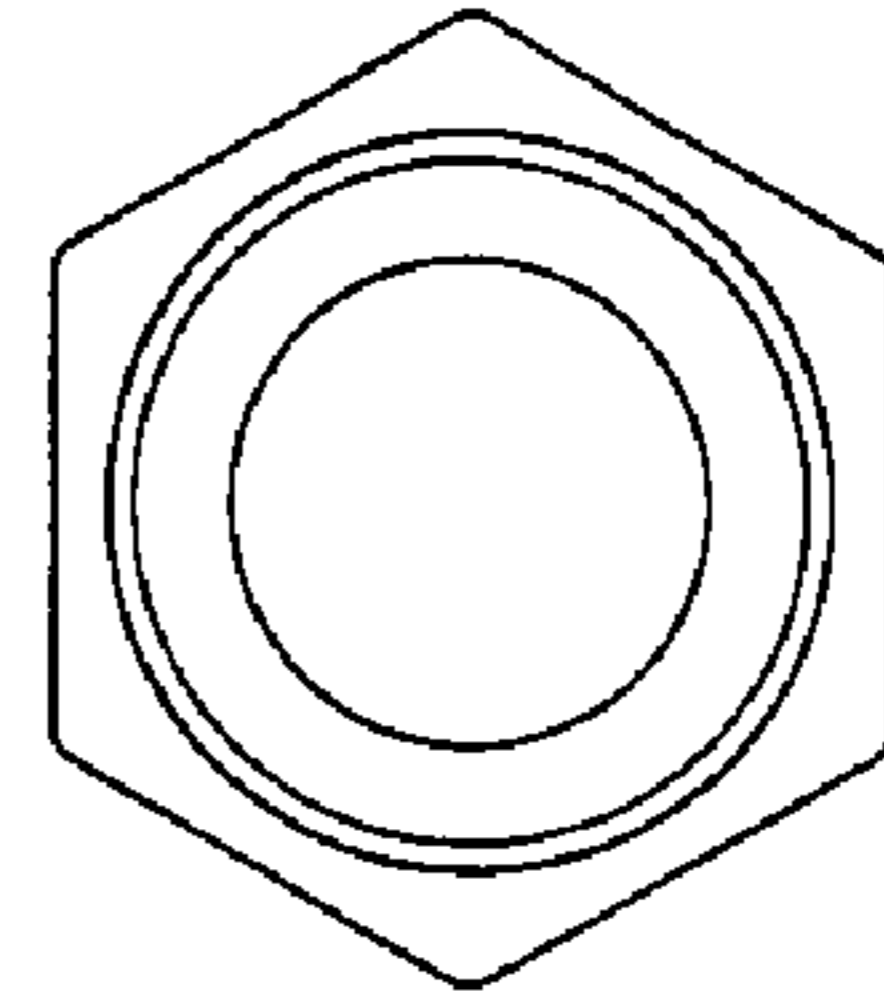


FIG. 5

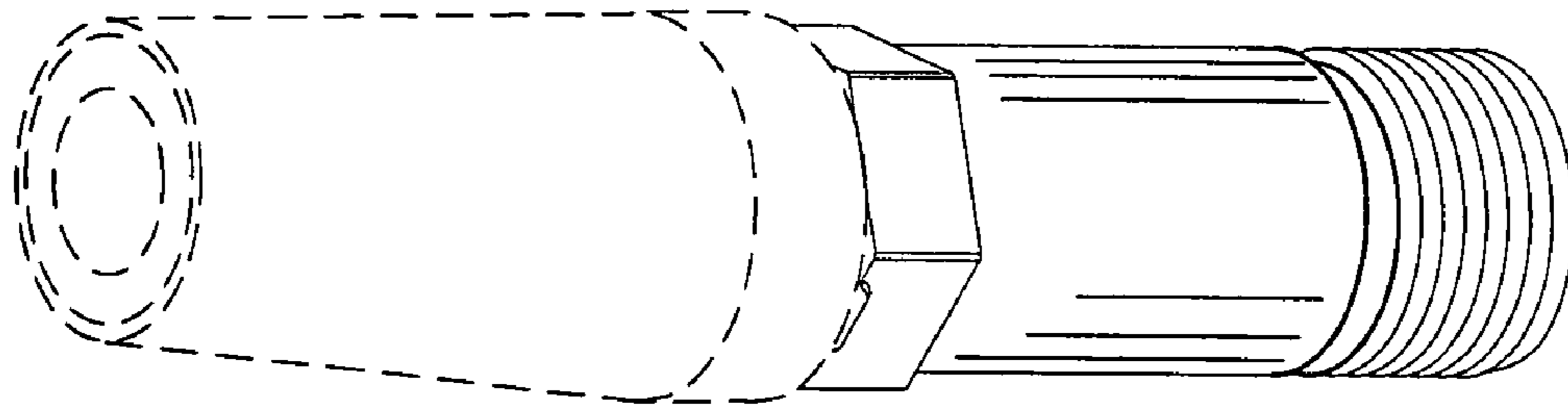


FIG. 6