

US00D567898S

(12) **United States Design Patent**  
**Miller**

(10) **Patent No.:** **US D567,898 S**

(45) **Date of Patent:** **\*\* Apr. 29, 2008**

(54) **FILTER ELEMENT**

(75) Inventor: **Daniel W. Miller**, Luckey, OH (US)

(73) Assignee: **Parker-Hannifin Corporation**,  
Cleveland, OH (US)

(\*\*) Term: **14 Years**

(21) Appl. No.: **29/297,639**

(22) Filed: **Nov. 15, 2007**

**Related U.S. Application Data**

(60) Division of application No. 29/249,452, filed on Oct. 6, 2006, now Pat. No. Des. 560,751, which is a division of application No. 29/247,068, filed on May 26, 2006, now Pat. No. Des. 537,502, which is a continuation of application No. 29/219,592, filed on Dec. 17, 2004, now Pat. No. Des. 529,126, which is a continuation-in-part of application No. 29/205,521, filed on May 17, 2004, now abandoned.

(51) **LOC (8) Cl.** ..... **23-01**

(52) **U.S. Cl.** ..... **D23/209**

(58) **Field of Classification Search** ..... D23/207,  
D23/209; 210/493.2, 450, 443-4, 495  
See application file for complete search history.

(56) **References Cited**

**U.S. PATENT DOCUMENTS**

4,272,368 A 6/1981 Foord  
D320,062 S \* 9/1991 Meissner ..... D23/209

D322,836 S \* 12/1991 Petrucci et al. .... D23/209  
D412,551 S \* 8/1999 Smith et al. .... D23/209  
D455,194 S \* 4/2002 Kurth et al. .... D23/209  
D456,486 S \* 4/2002 Kurth et al. .... D23/209  
D497,972 S \* 11/2004 Reynolds et al. .... D23/209  
2004/0355097 2/2004 Schlensker

**FOREIGN PATENT DOCUMENTS**

WO 0238247 A1 5/2002

\* cited by examiner

*Primary Examiner*—Robin V Webster

(74) *Attorney, Agent, or Firm*—Christopher H. Hunter

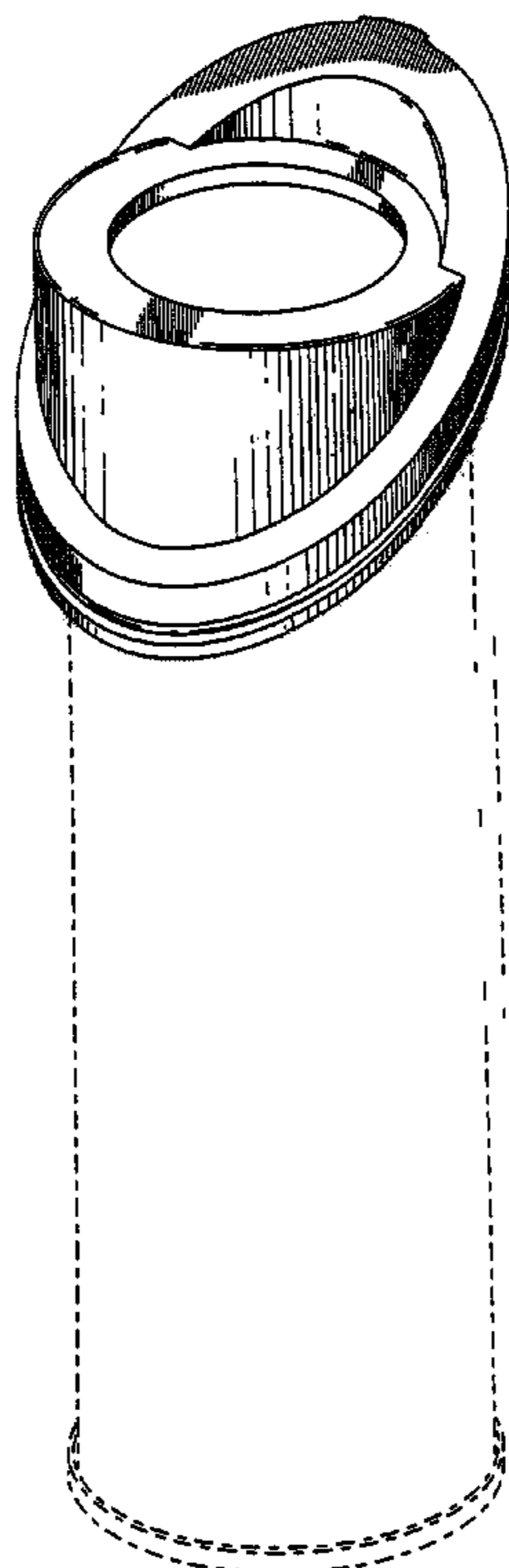
(57) **CLAIM**

The ornamental design for a filter element, as shown and described.

**DESCRIPTION**

FIG. 1 is a front view of an end cap for a filter element;  
FIG. 2 is a right side view of the end cap, the left side view being a mirror image;  
FIG. 3 is a rear view of the end cap;  
FIG. 4 is a top plan view of the end cap;  
FIG. 5 is a bottom plan view of the end cap; and,  
FIG. 6 is a perspective view of the end cap.  
The broken lines showing are for illustrative purposes and form no part of the present invention.

**1 Claim, 5 Drawing Sheets**



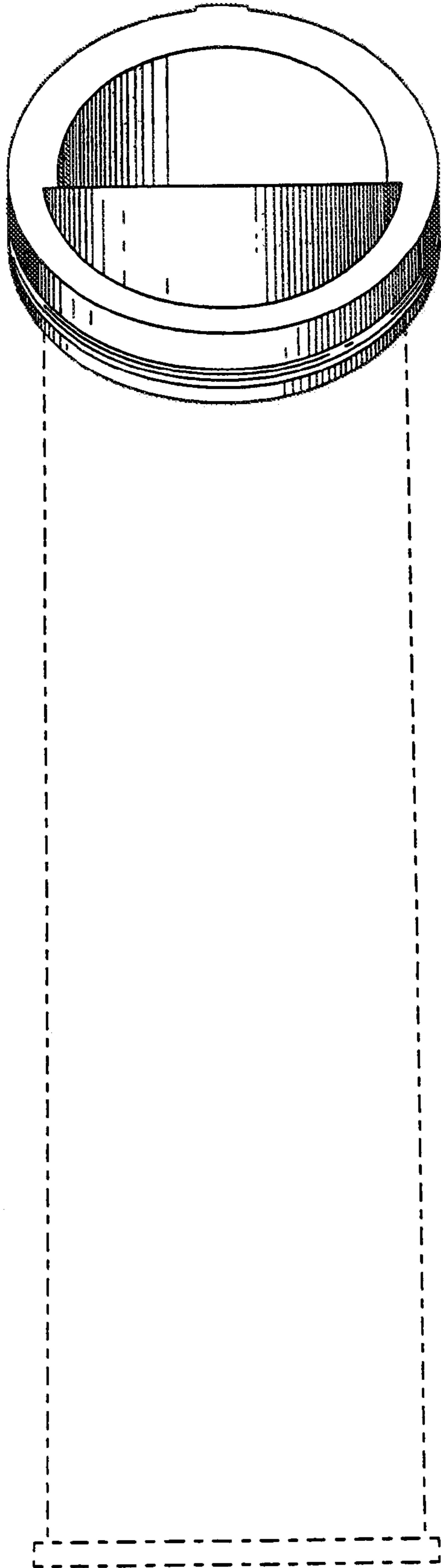


FIG. 1

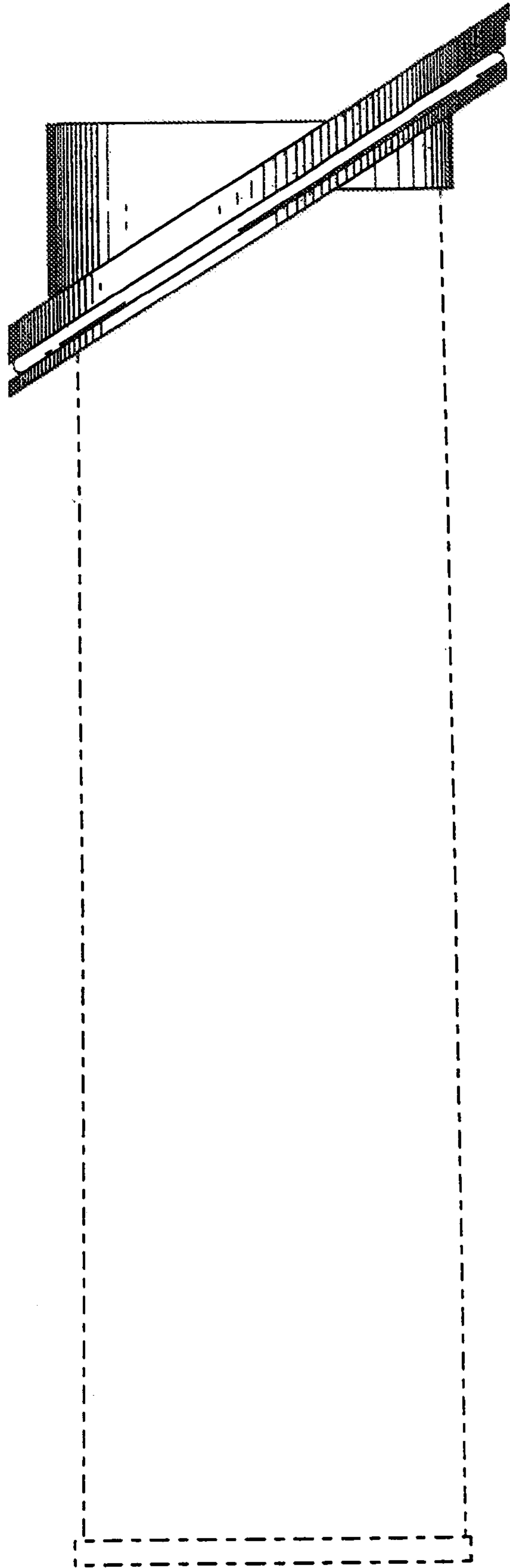


FIG. 2

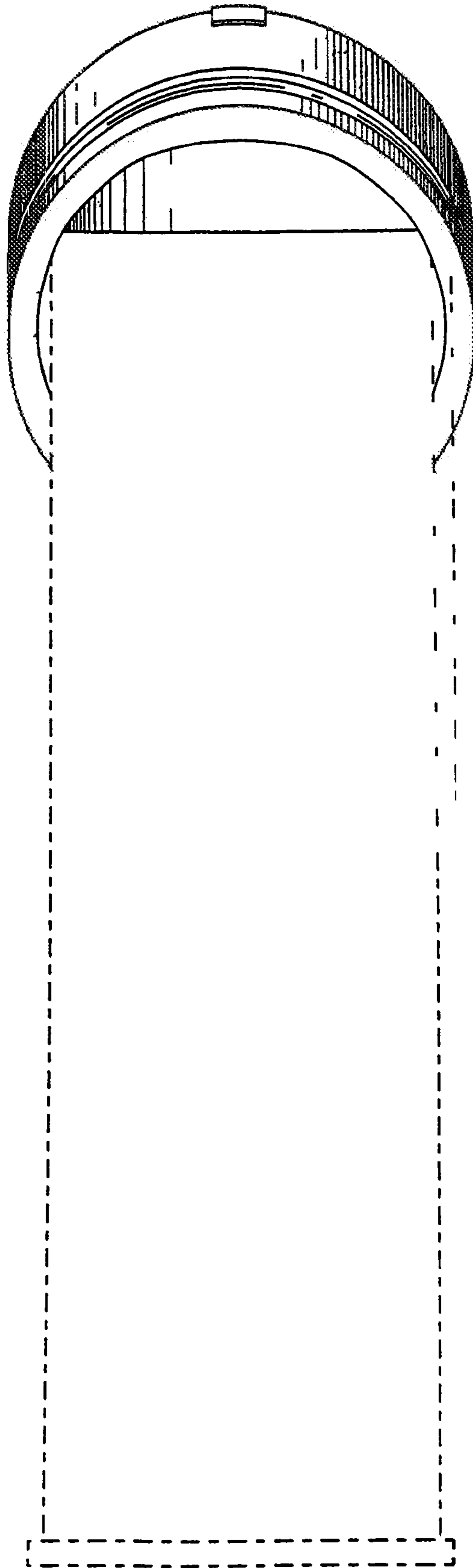


FIG. 3

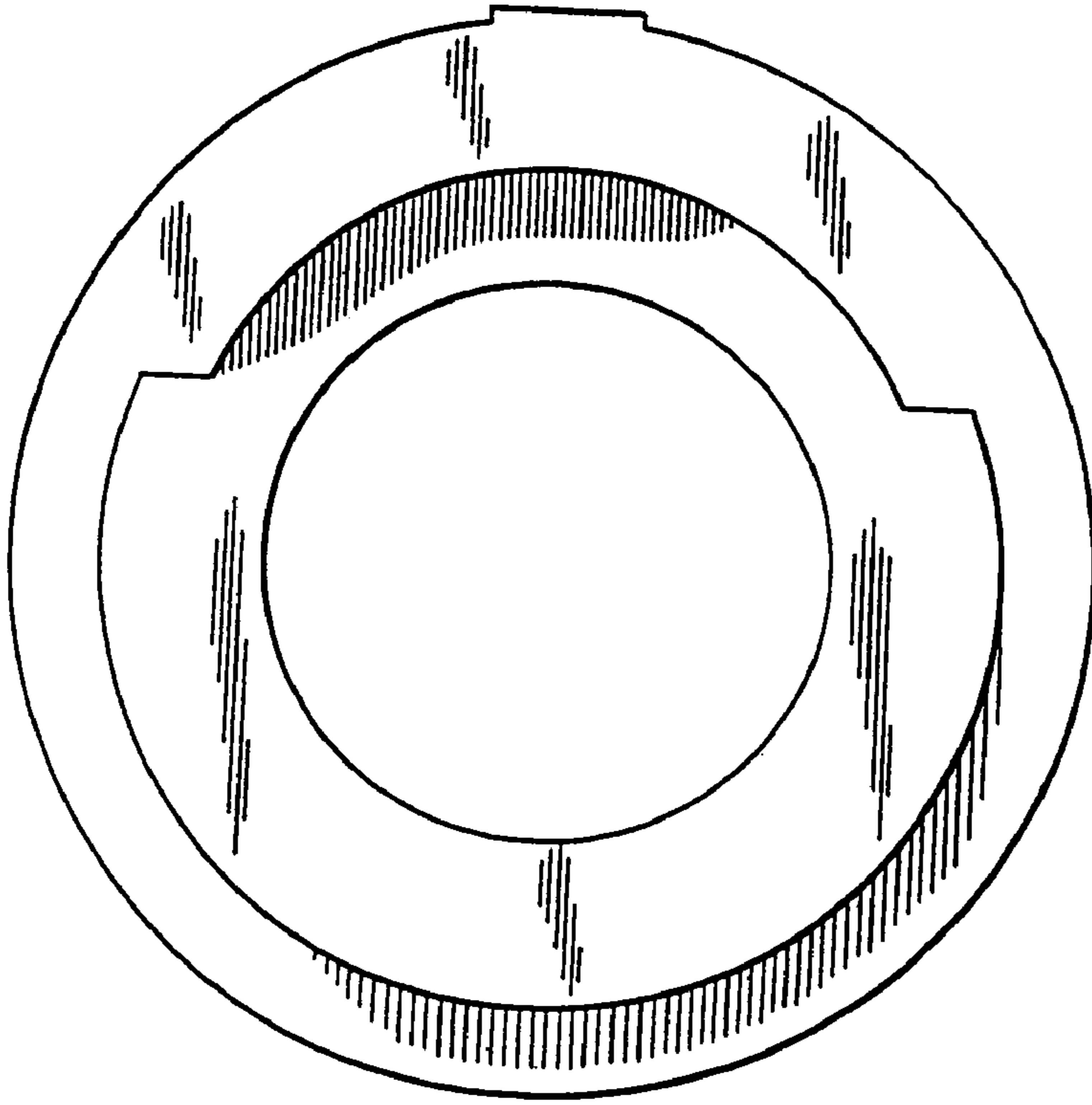


FIG. 4

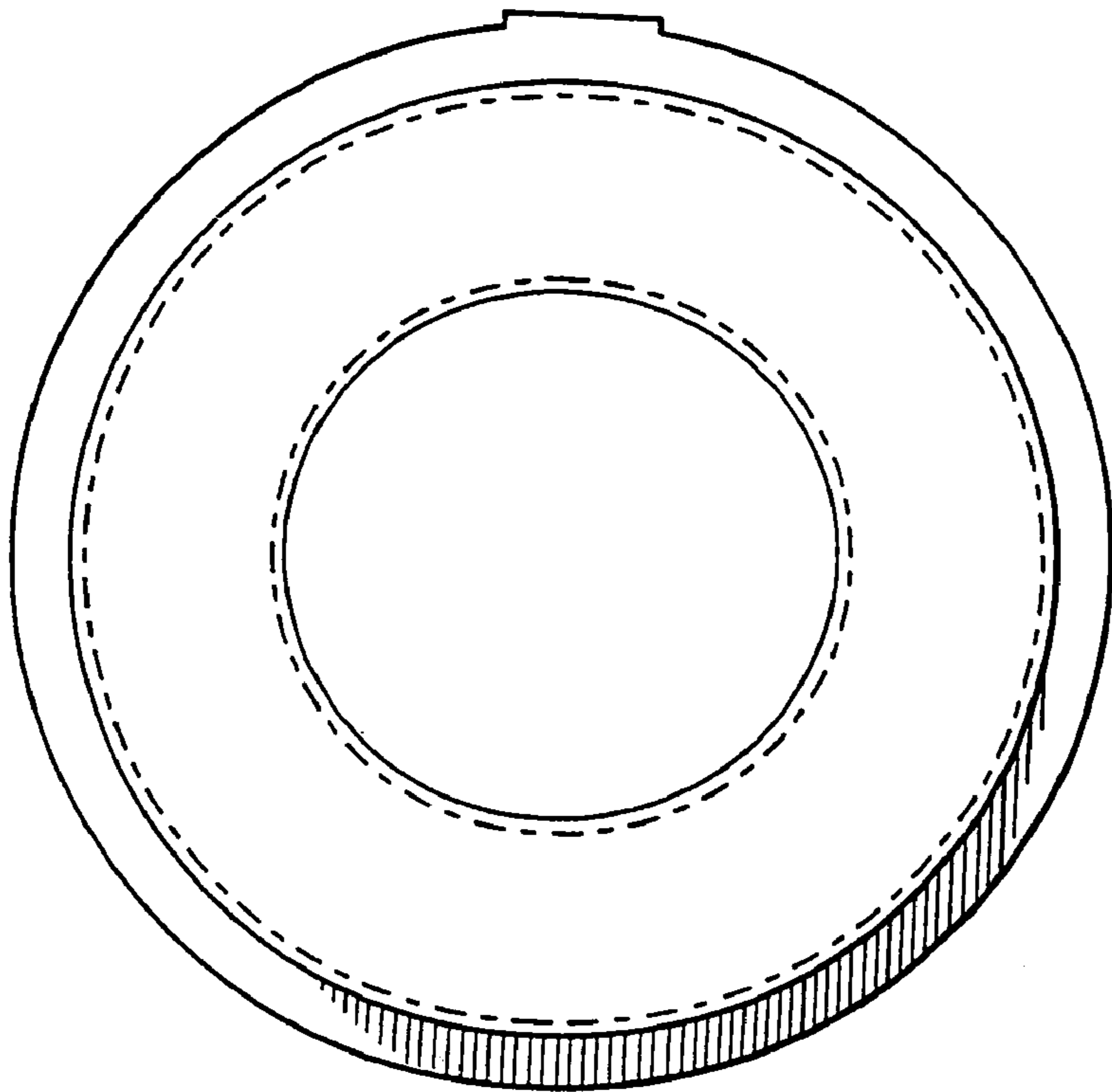


FIG. 5

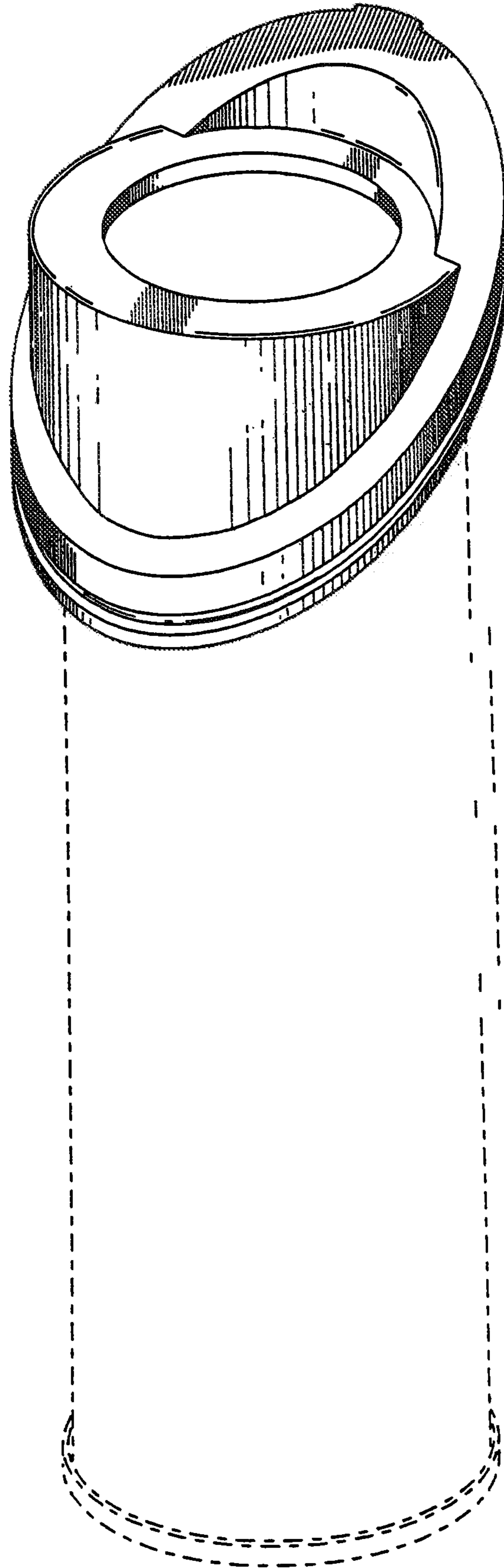


FIG. 6