



US00D567897S

(12) **United States Design Patent**  
**Hillhouse**

(10) **Patent No.:** **US D567,897 S**

(45) **Date of Patent:** **\*\* Apr. 29, 2008**

(54) **SPRAYER TANK**

(75) Inventor: **Donald Hillhouse**, Silver Springs, NY  
(US)

(73) Assignee: **Chapin Manufacturing, Inc.**, Batavia,  
NY (US)

(\*\*) Term: **14 Years**

(21) Appl. No.: **29/238,303**

(22) Filed: **Sep. 14, 2005**

(51) **LOC (8) Cl.** ..... **23-01**

(52) **U.S. Cl.** ..... **D23/202; D23/225**

(58) **Field of Classification Search** ..... D23/202–203,  
D23/213, 225; 239/154, 142, 333  
See application file for complete search history.

(56) **References Cited**

**U.S. PATENT DOCUMENTS**

D229,612 S *	12/1973	German	.....	D12/218
4,690,331 A	9/1987	Luchsinger		
4,798,333 A	1/1989	Luchsinger		
D337,368 S *	7/1993	Berfield et al.	.....	D23/202
5,335,853 A	8/1994	Wirz		
D406,313 S *	3/1999	Prosper et al.	.....	D23/202
6,412,707 B1	7/2002	Wirz		
D527,789 S *	9/2006	Thompson et al.	.....	D23/202

**OTHER PUBLICATIONS**

U.S. Trademark Registration No. 2,596,935.  
U.S. Trademark Registration No. 2,587,356.  
U.S. Appl. No. 78/534,564.

Solo, Online Troubleshooting/Resource Center, Website page at  
<http://tess2.uspto.gov/bin/showfield?f=doc&state=bbov69.2.1>,  
printed Jan. 17, 2006.

\* cited by examiner

*Primary Examiner*—Robin V. Webster

(74) *Attorney, Agent, or Firm*—Kenneth J. Lukacher

(57) **CLAIM**

The ornamental design for a sprayer tank, as shown and  
described.

**DESCRIPTION**

FIG. 1 is a perspective view looking downward toward the  
top and from the left of a sprayer tank in accordance with my  
design;

FIG. 2 is a perspective view looking downwardly from the  
right thereof;

FIG. 3 is a perspective view looking upwardly toward the  
bottom and from the left thereof;

FIG. 4 is a perspective view looking upwardly toward the  
bottom and from the right thereof;

FIG. 5 is a front elevational view thereof;

FIG. 6 is a top view thereof;

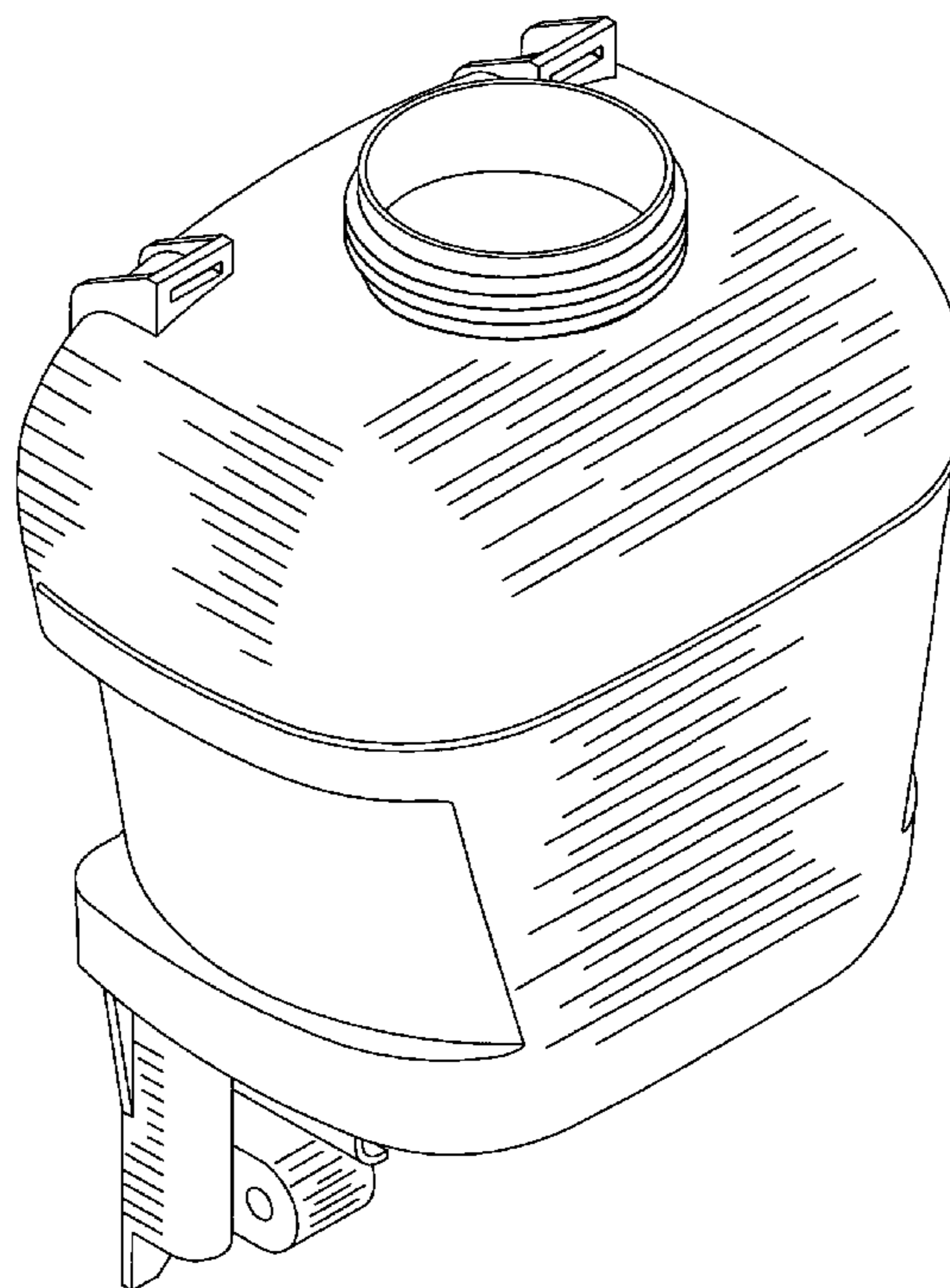
FIG. 7 is a bottom view thereof;

FIG. 8 is a left side view thereof;

FIG. 9 is a right side view thereof; and,

FIG. 10 is a back view thereof.

**1 Claim, 10 Drawing Sheets**



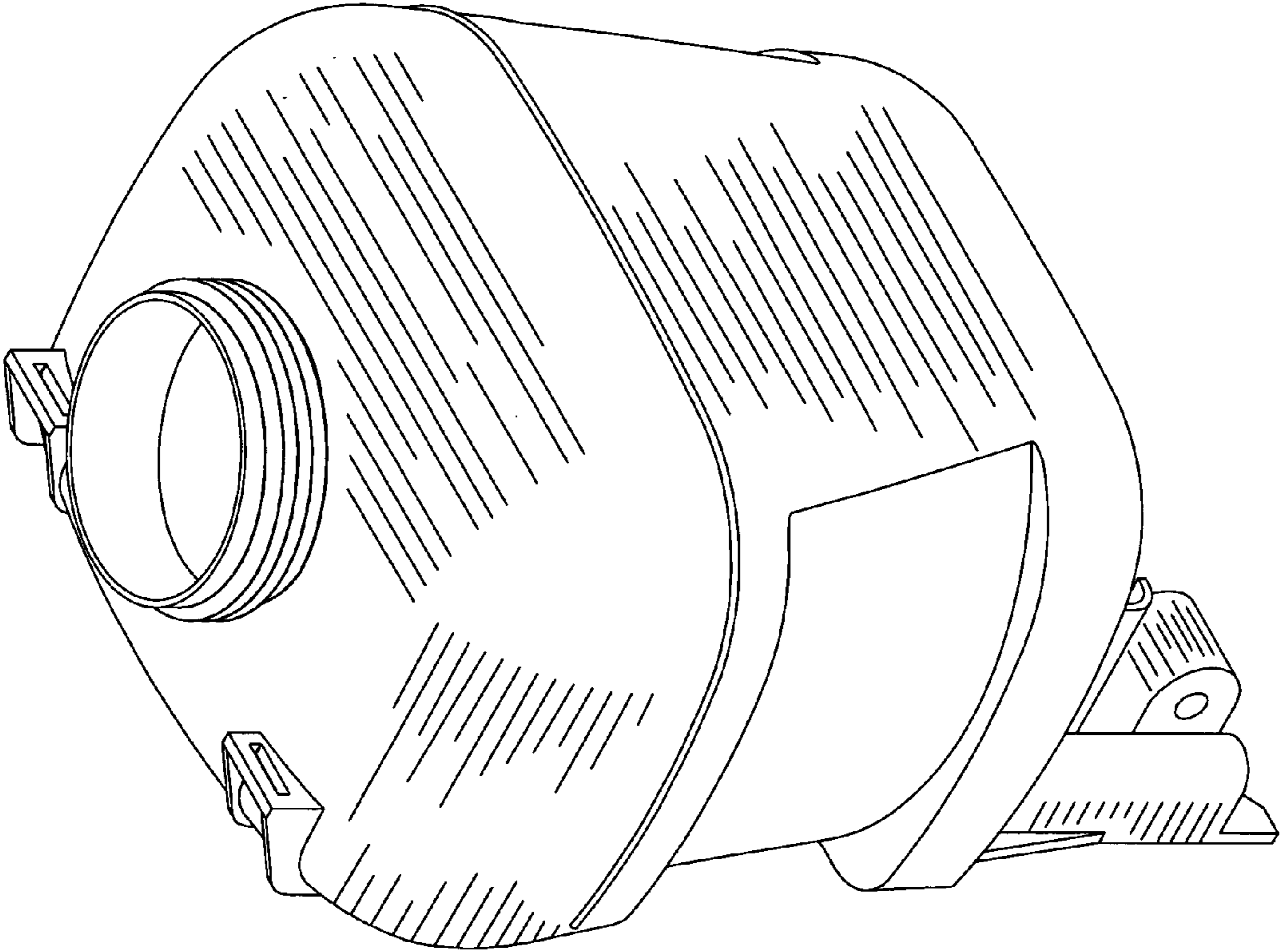


FIG.1

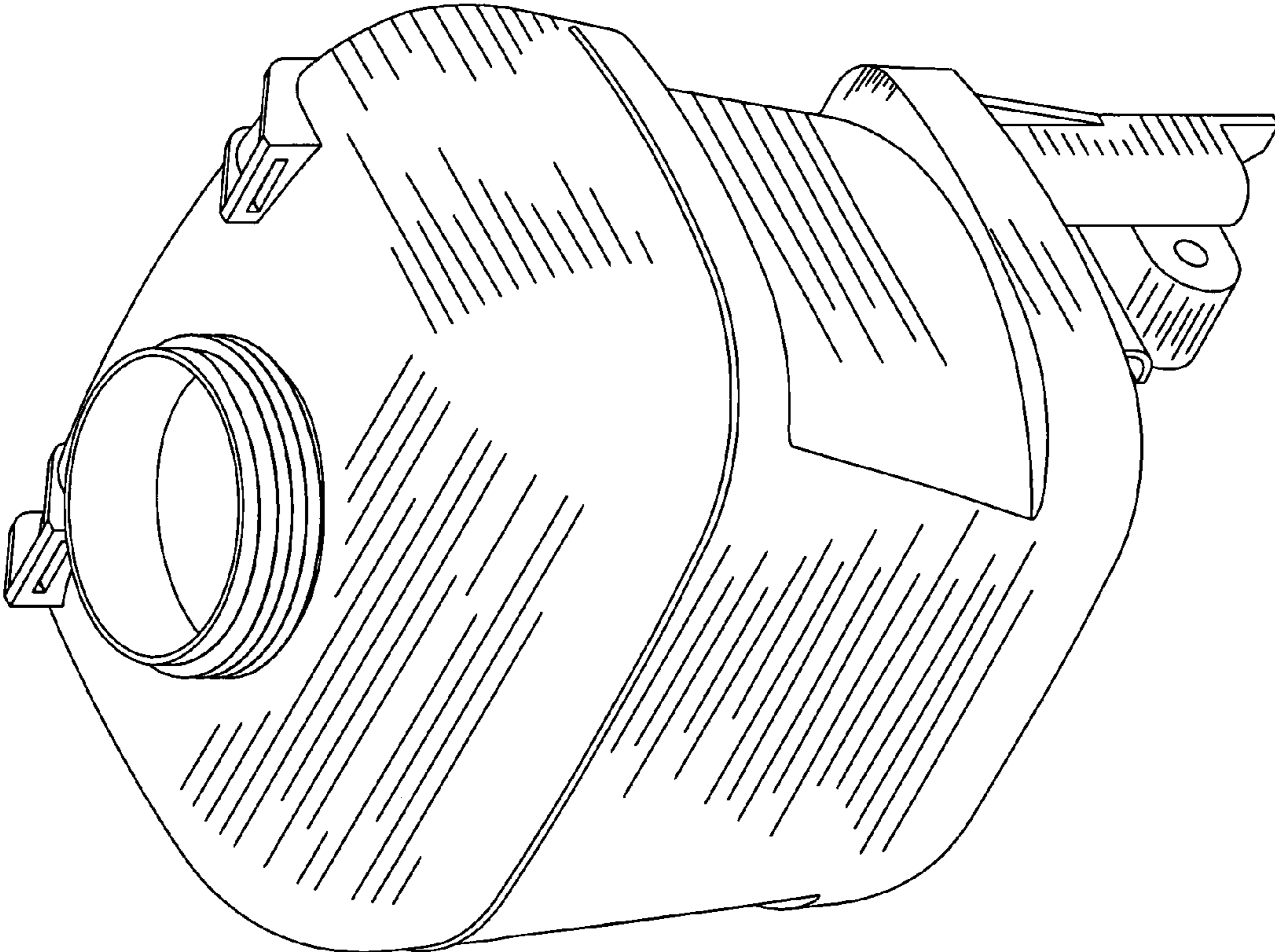


FIG.2

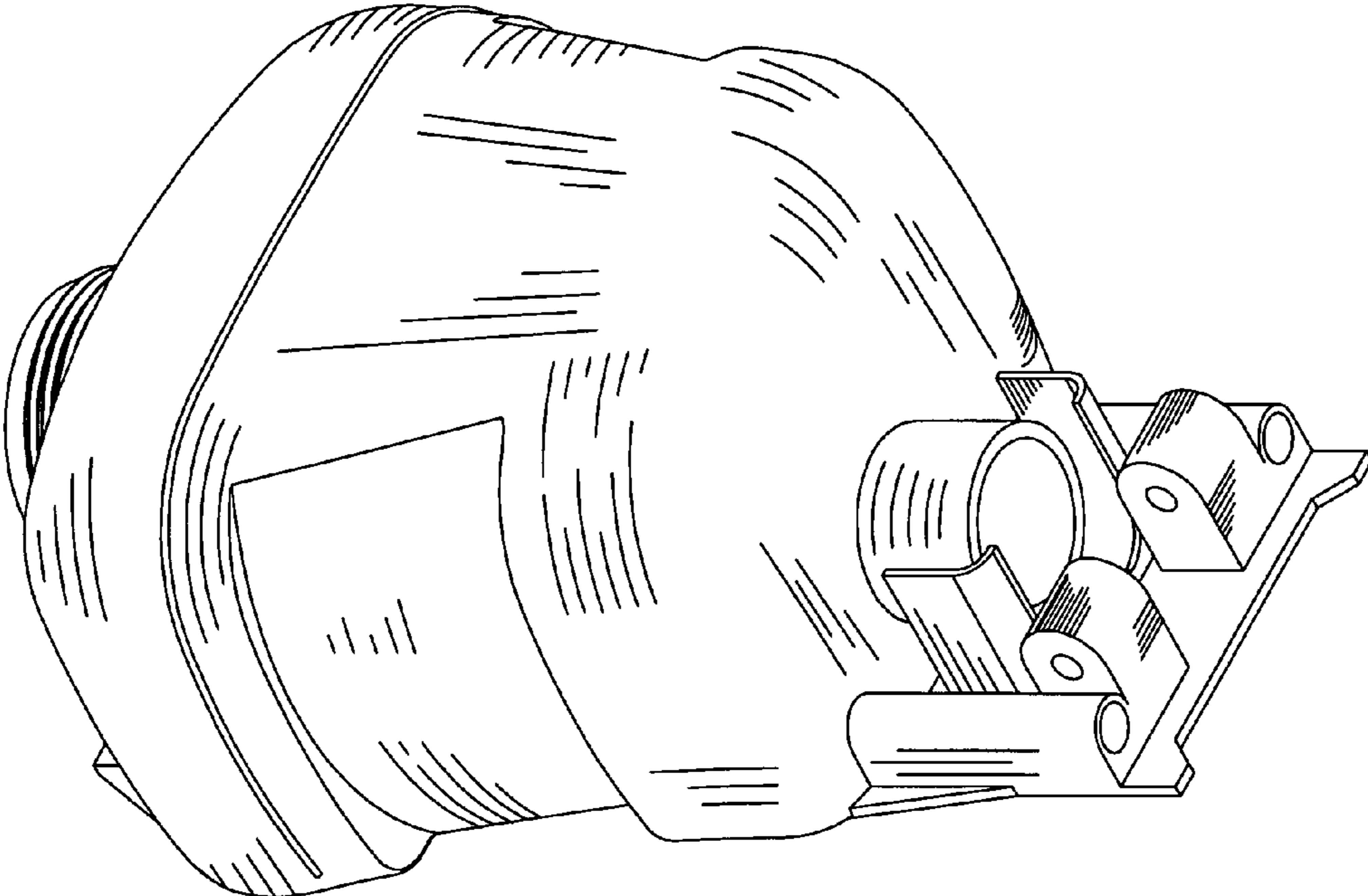


FIG.3

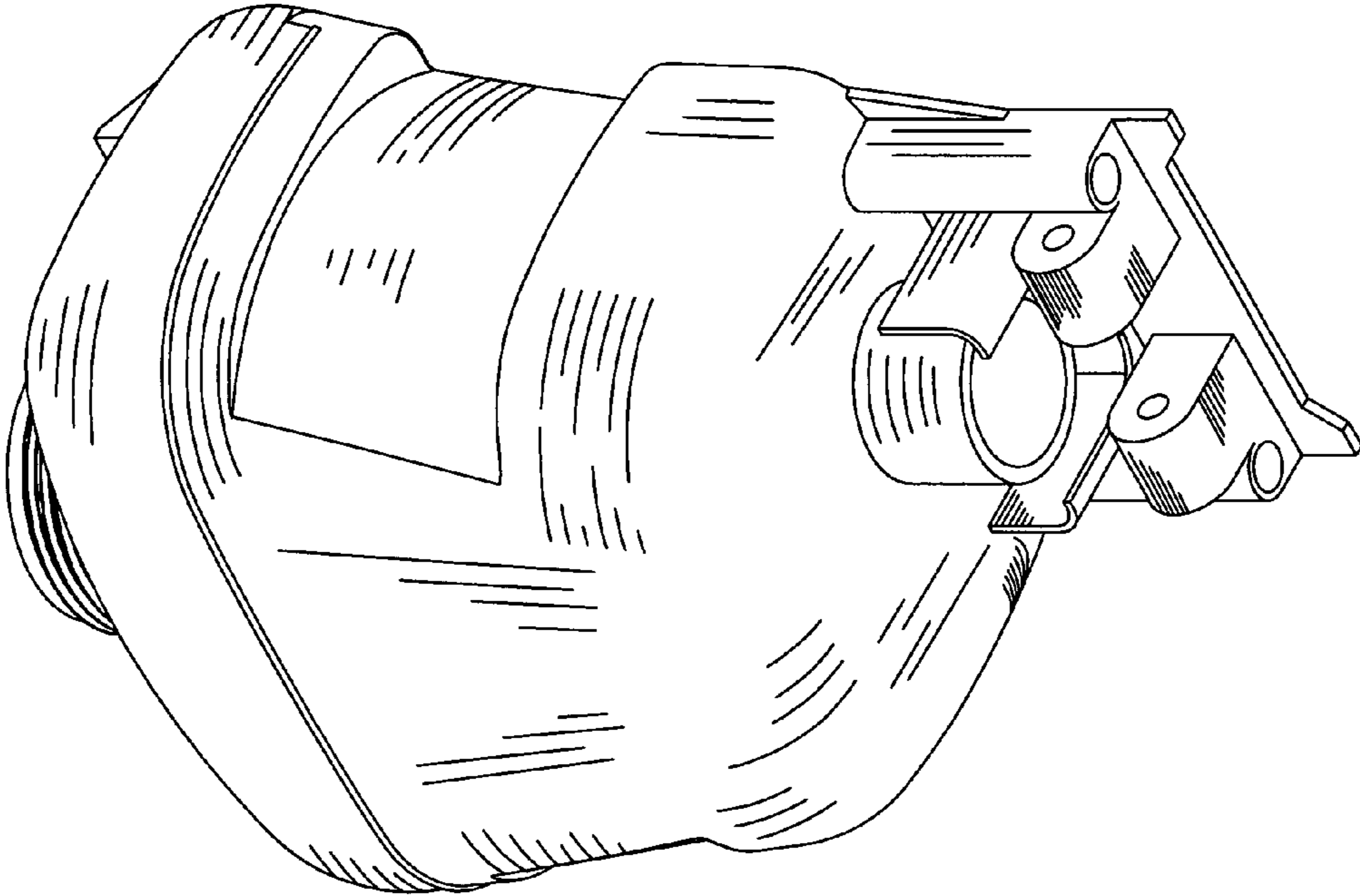


FIG.4

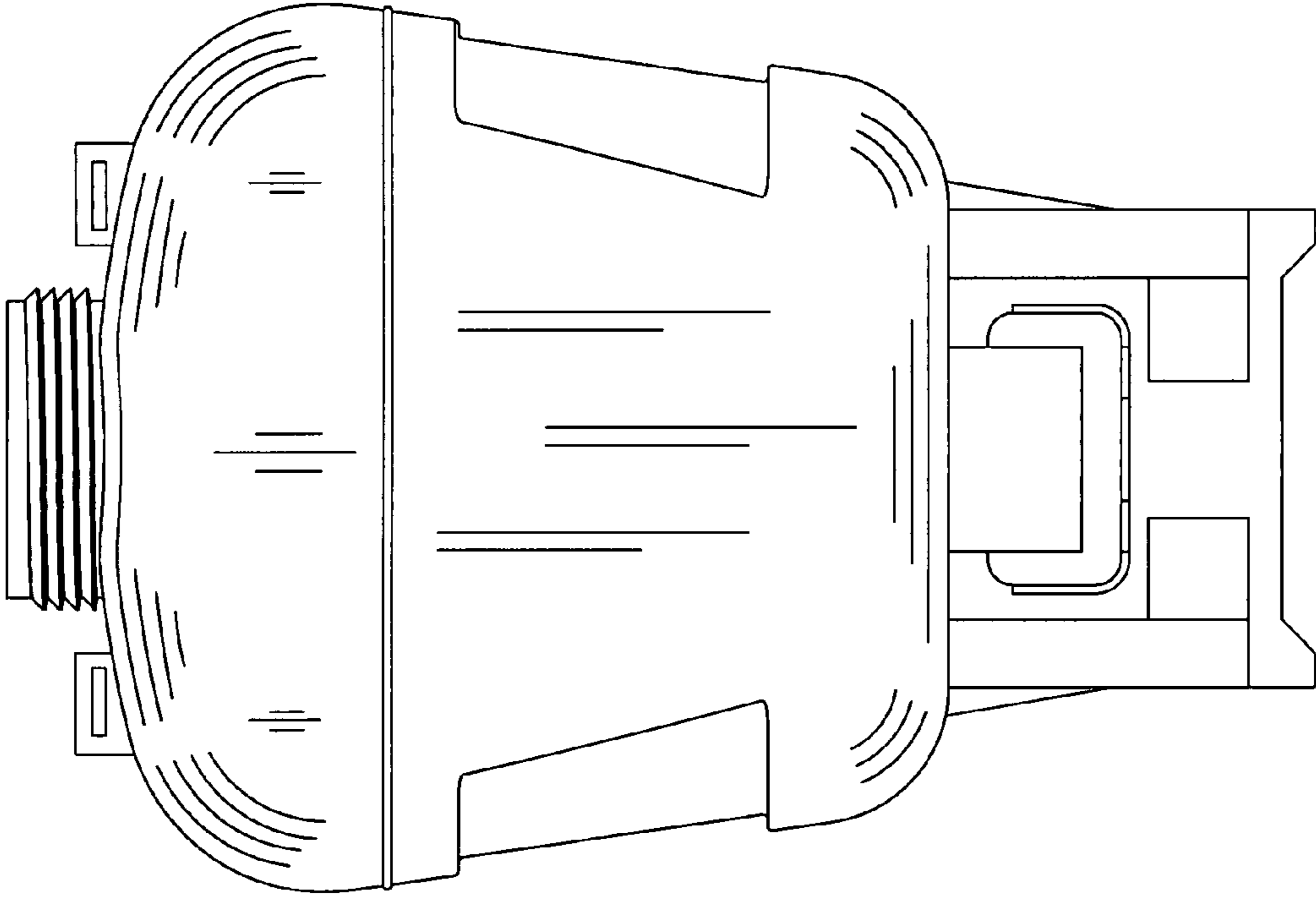


FIG. 5

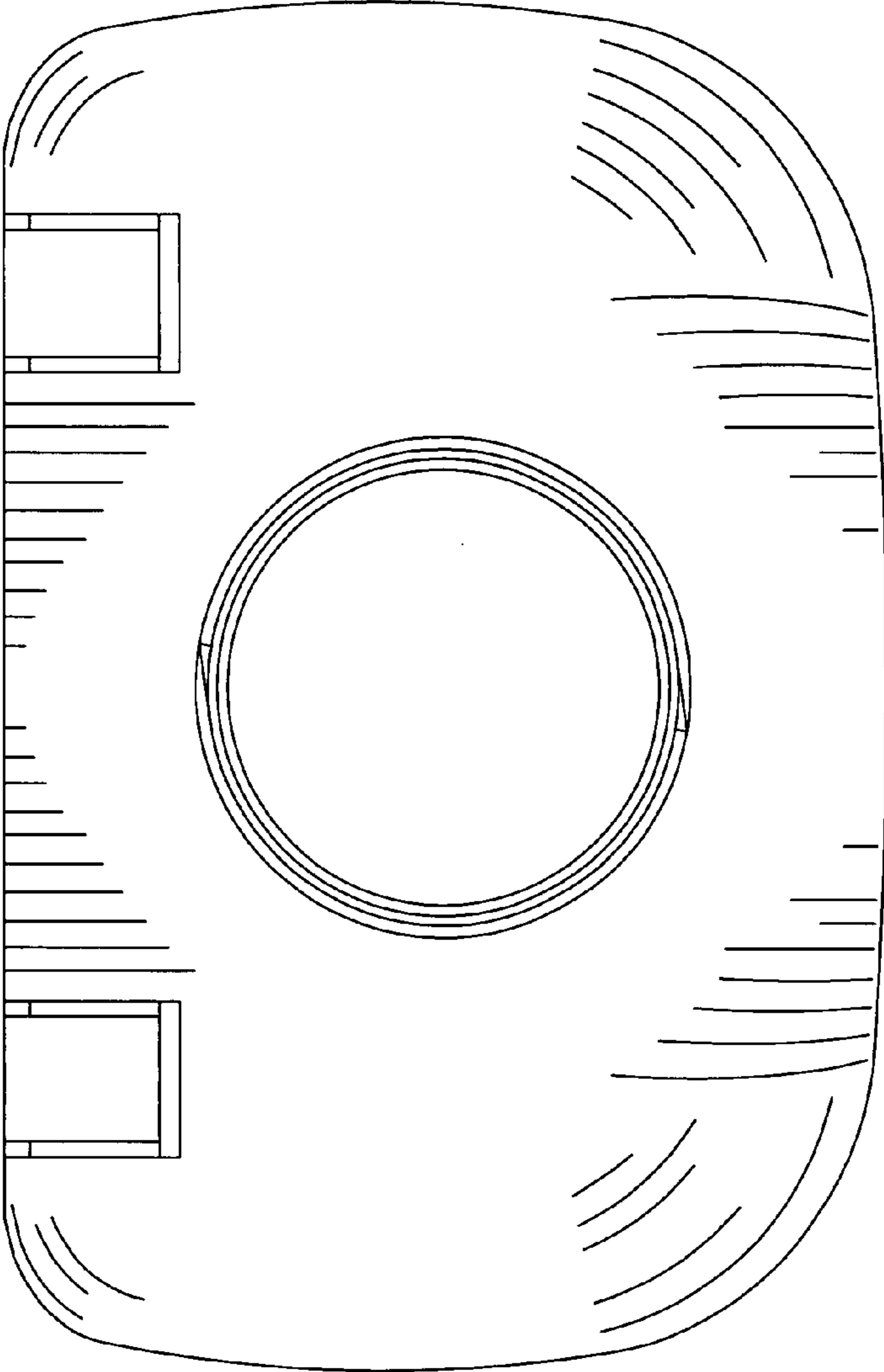


FIG. 6

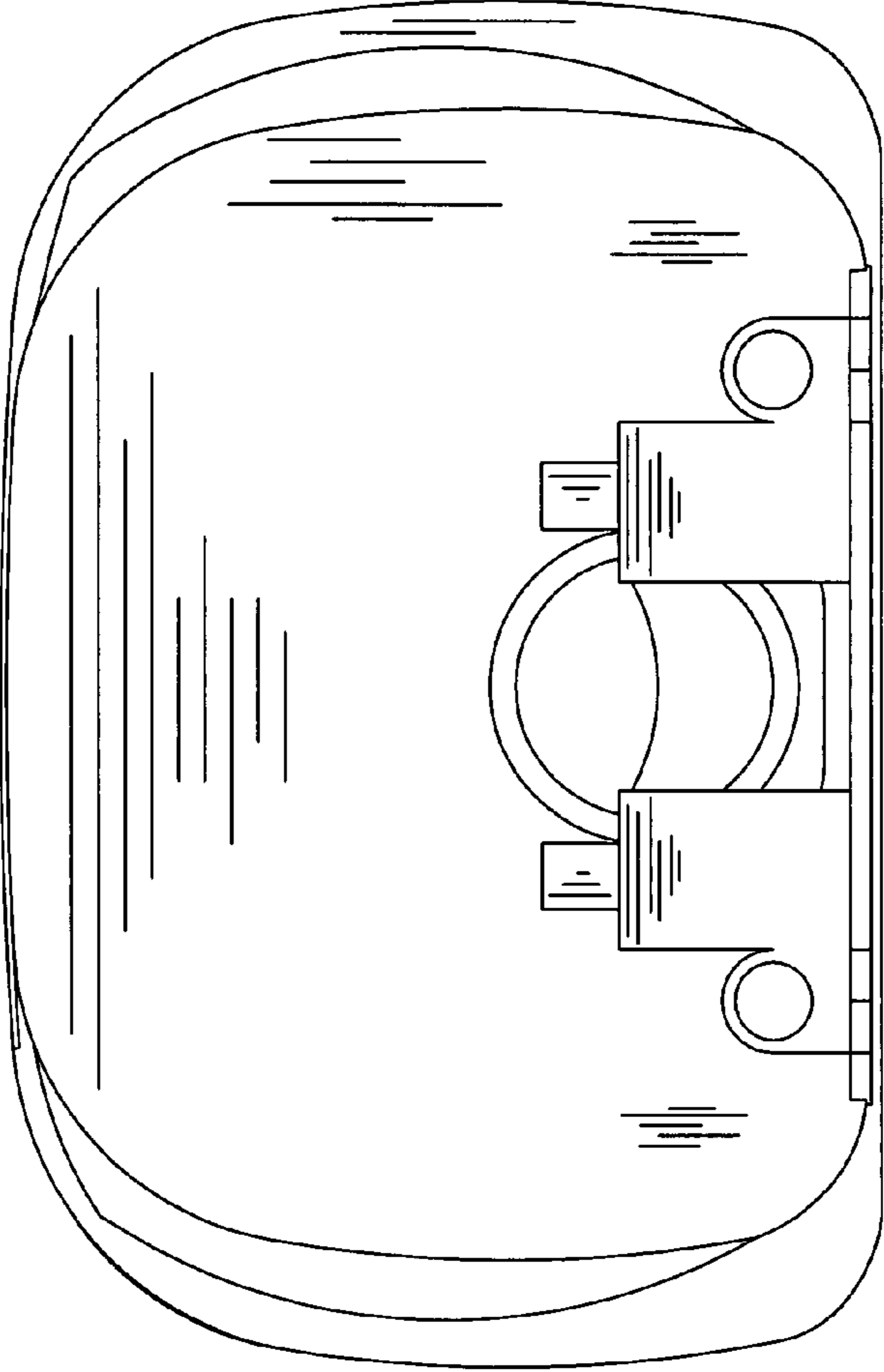


FIG. 7



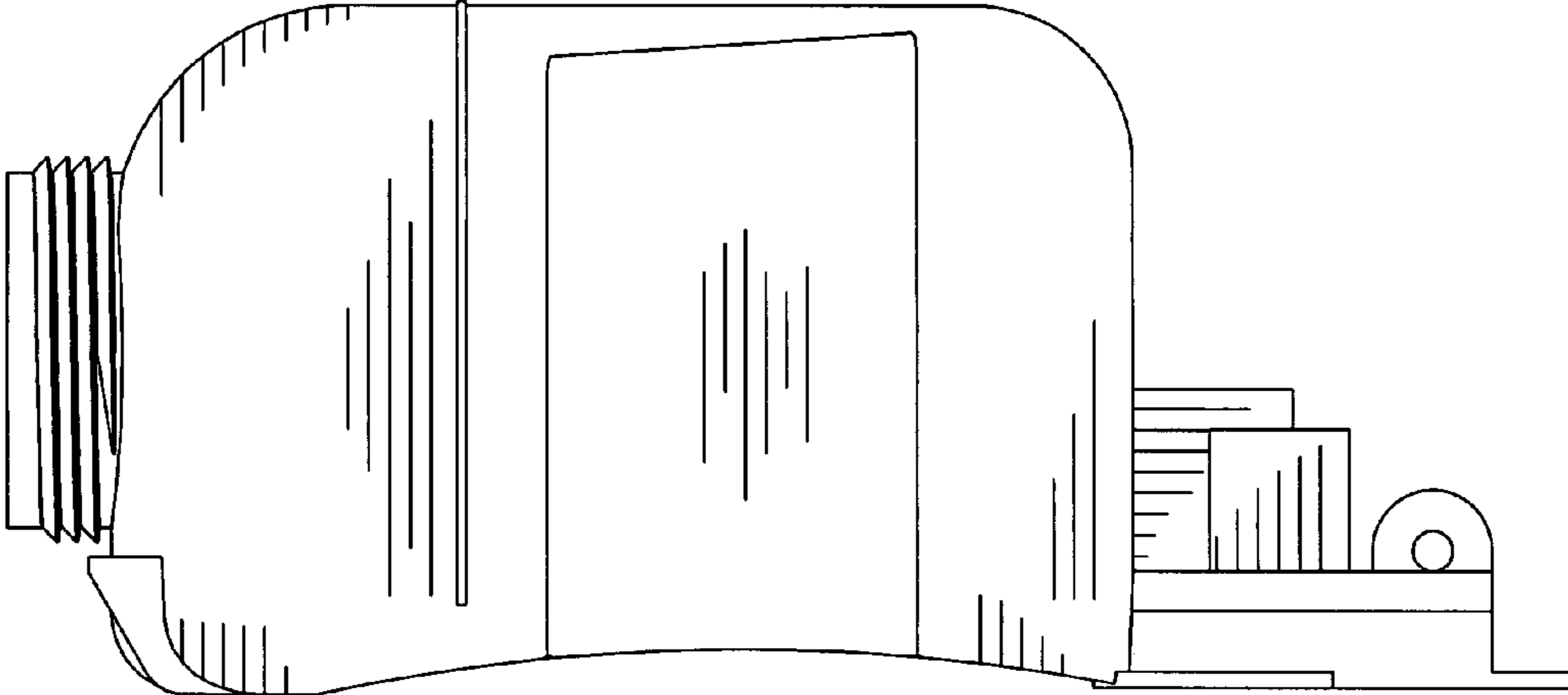


FIG.8

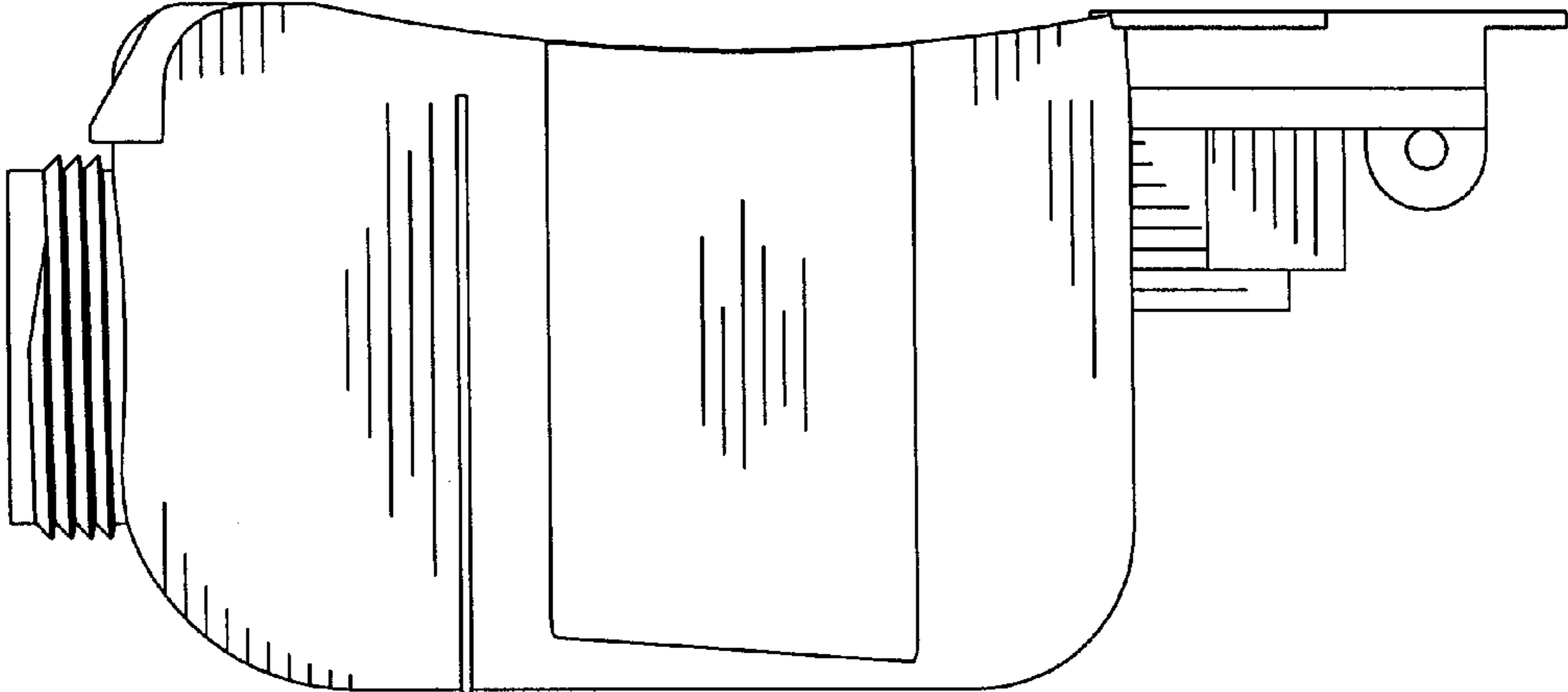


FIG.9

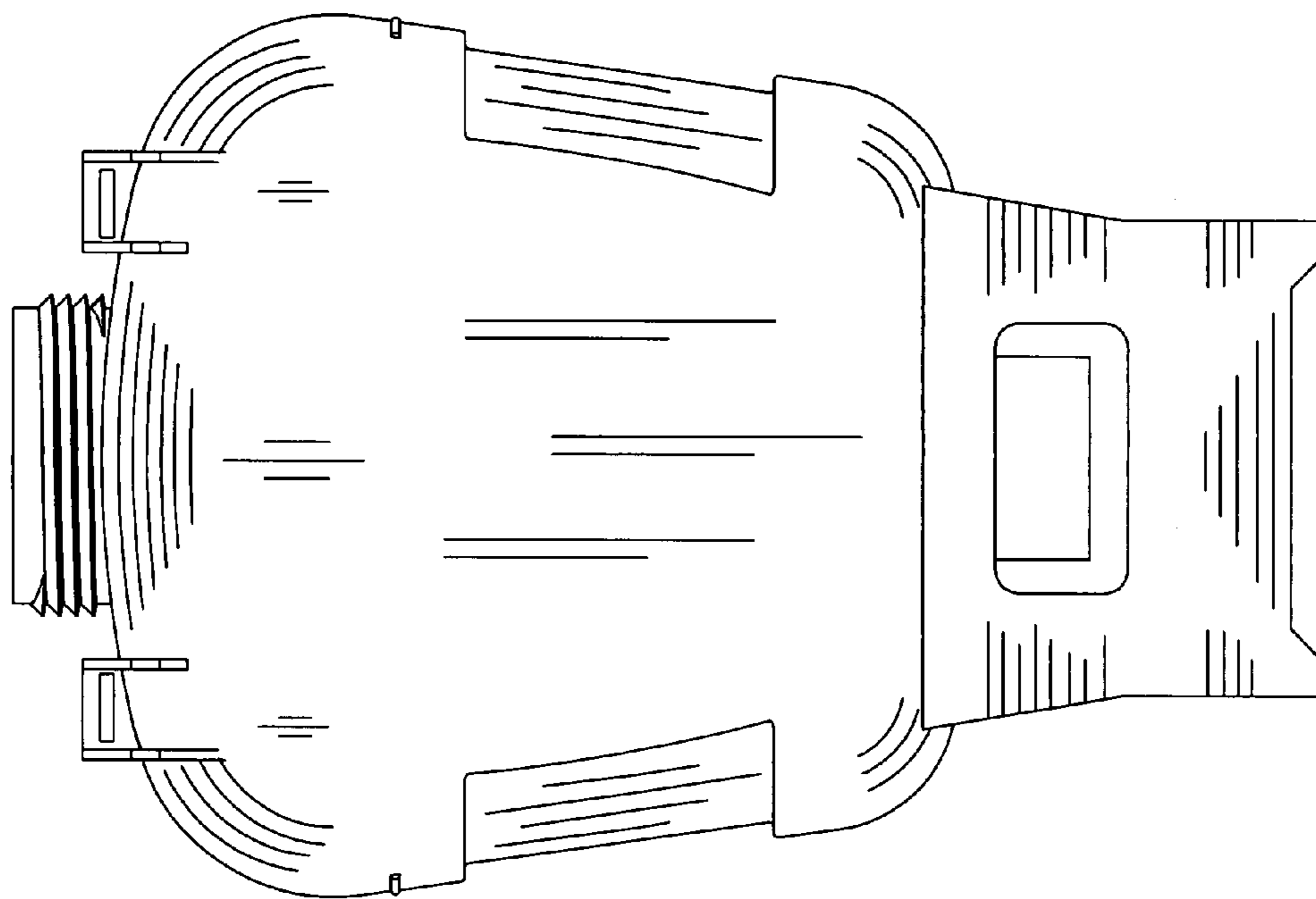


FIG.10