



US00D567894S

(12) **United States Design Patent**
Sterling et al.

(10) **Patent No.:** **US D567,894 S**

(45) **Date of Patent:** **** Apr. 29, 2008**

(54) **TACTICAL ILLUMINATOR**

(75) Inventors: **Scott R. Sterling**, Boston, MA (US);
Dale J. Savoy, Weare, NH (US);
Daniel J. Berube, Wilton, NH (US)

(73) Assignee: **Insight Technology Incorporated**,
Londonderry, NH (US)

(**) Term: **14 Years**

(21) Appl. No.: **29/208,379**

(22) Filed: **Jun. 28, 2004**

(51) **LOC (8) Cl.** **22-01**

(52) **U.S. Cl.** **D22/108; D26/51**

(58) **Field of Classification Search** D26/37-51;
D22/108, 109, 110; 359/350-351, 353, 399,
359/400, 404, 407, 420-422

See application file for complete search history.

(56) **References Cited**

U.S. PATENT DOCUMENTS

5,430,967 A 7/1995 Woodman, III et al.
6,185,854 B1 2/2001 Solinsky et al.
6,574,901 B1 6/2003 Solinsky et al.
D550,263 S * 9/2007 Zhou D16/132

OTHER PUBLICATIONS

Insight Technology, Inc., The illuminator, The new M3 Tactical Illuminator from Insight Technology. Copyright 1998. (2) pages.
Insight Technology, Inc., The illuminator, The new M4 Tactical Illuminator from Insight Technology. Copyright 1999. (2) pages.

Insight Technology, Inc., Introducing the all-new X-treme mil-spec X-series. Dated Oct. 2003 (2) pages.

Insight Technology, Inc., The M6 Tactical Laser Illuminator. (2) pages.

Insight Technology, Inc., XML, X-Treme Mini Light. (1) page.
Laserlyte.com, QD Laser System, printed Oct. 21, 2005. (3) pages.

Surefire.com, X200A, printed Oct. 21, 2005. (1) page.

* cited by examiner

Primary Examiner—Marcus A. Jackson

(57) **CLAIM**

The original design for a tactical illuminator, as shown and described.

DESCRIPTION

FIG. 1 is a first perspective view of a tactical illuminator of the present invention;

FIG. 2 is a front view of the tactical illuminator of FIG. 1;

FIG. 3 is a rear view of the tactical illuminator of FIG. 1;

FIG. 4 is a left side view of the tactical illuminator of FIG. 1;

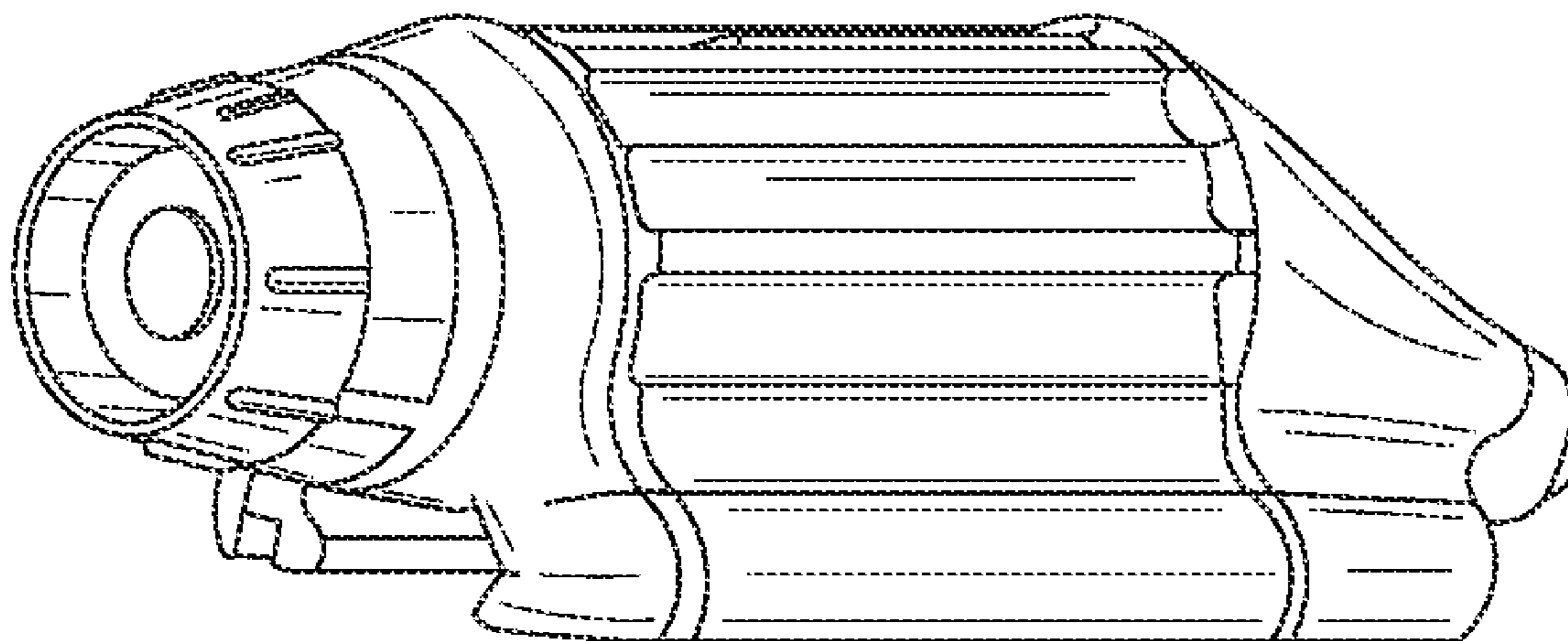
FIG. 5 is a right side view of the tactical illuminator of FIG. 1;

FIG. 6 is a top view of the tactical illuminator of FIG. 1;

FIG. 7 is a bottom view of the tactical illuminator of FIG. 1; and,

FIG. 8 is a second perspective view of the tactical illuminator of FIG. 1.

1 Claim, 3 Drawing Sheets



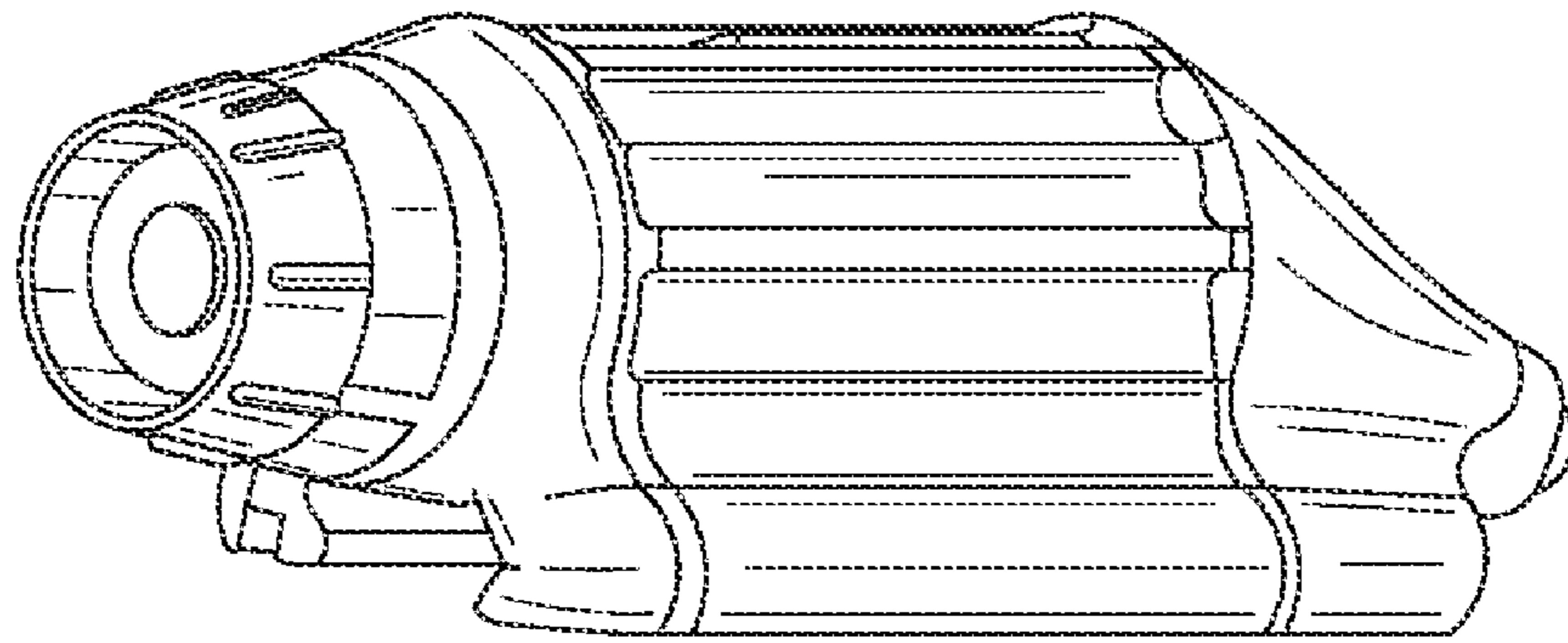


FIG. 1

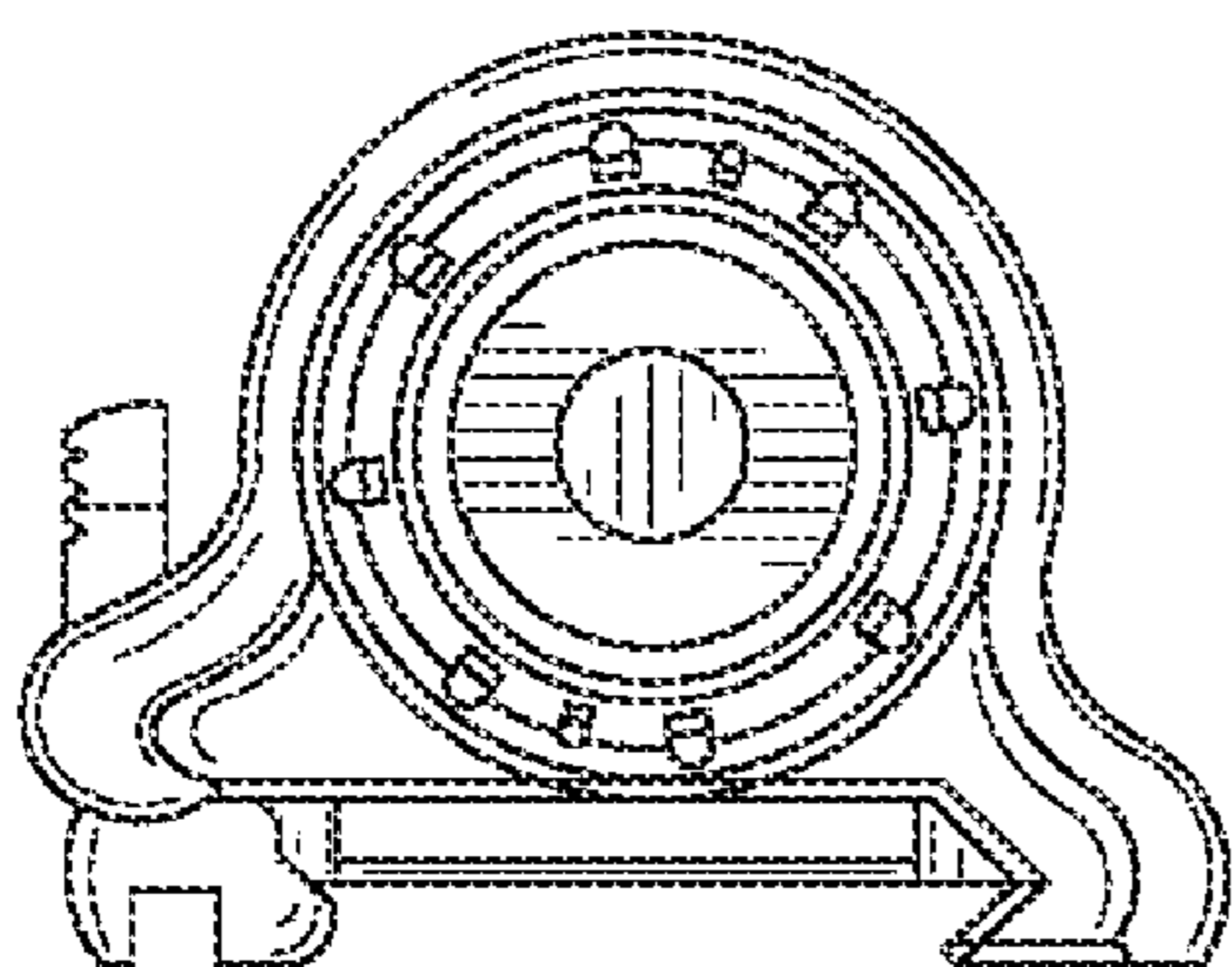


FIG. 2

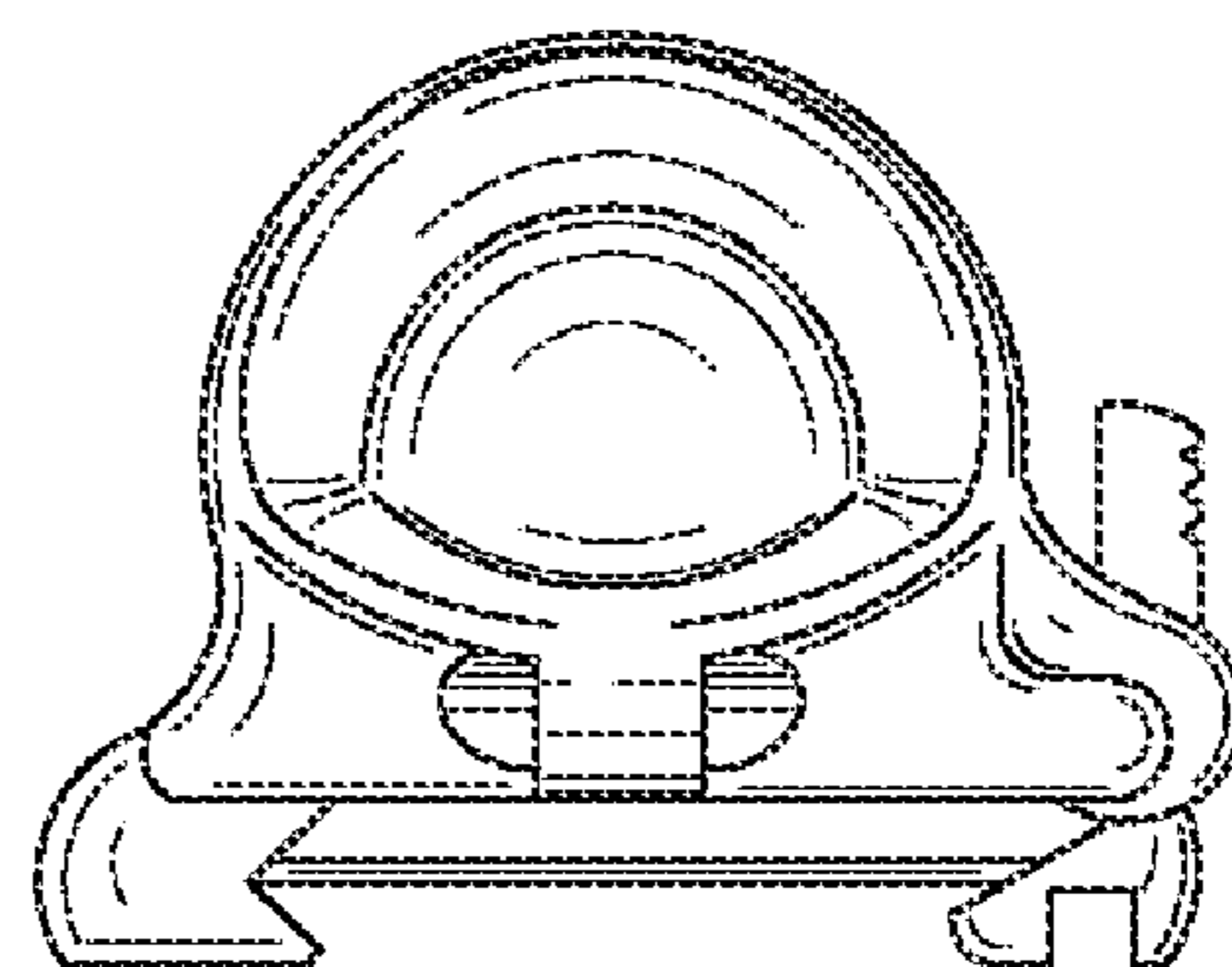


FIG. 3

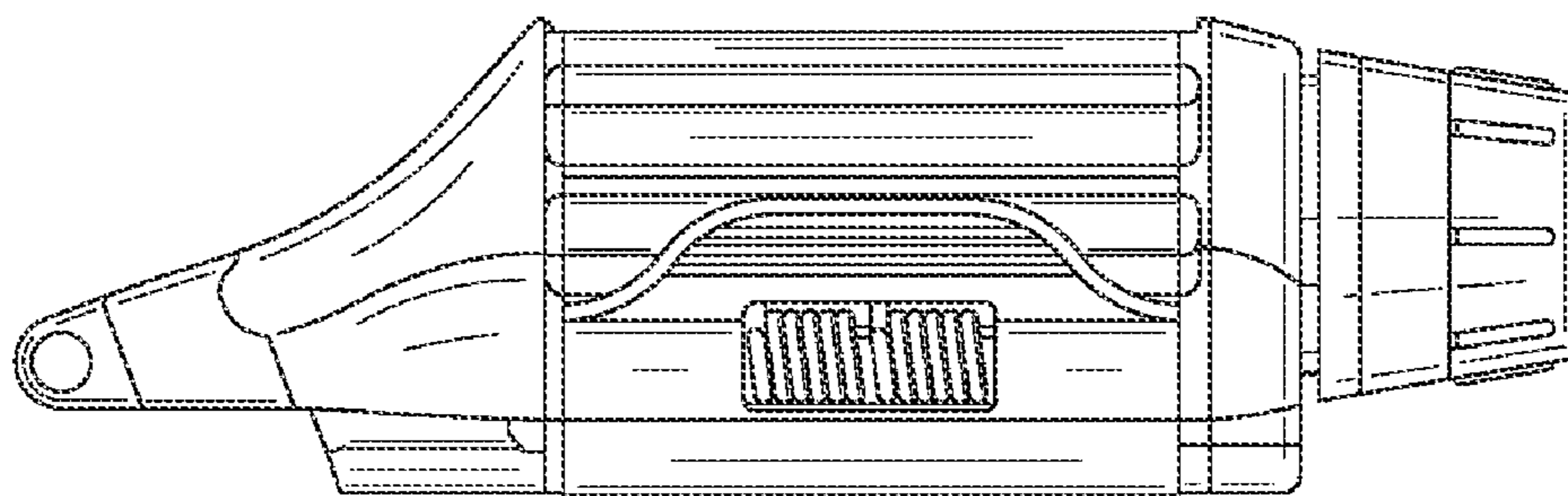


FIG. 4

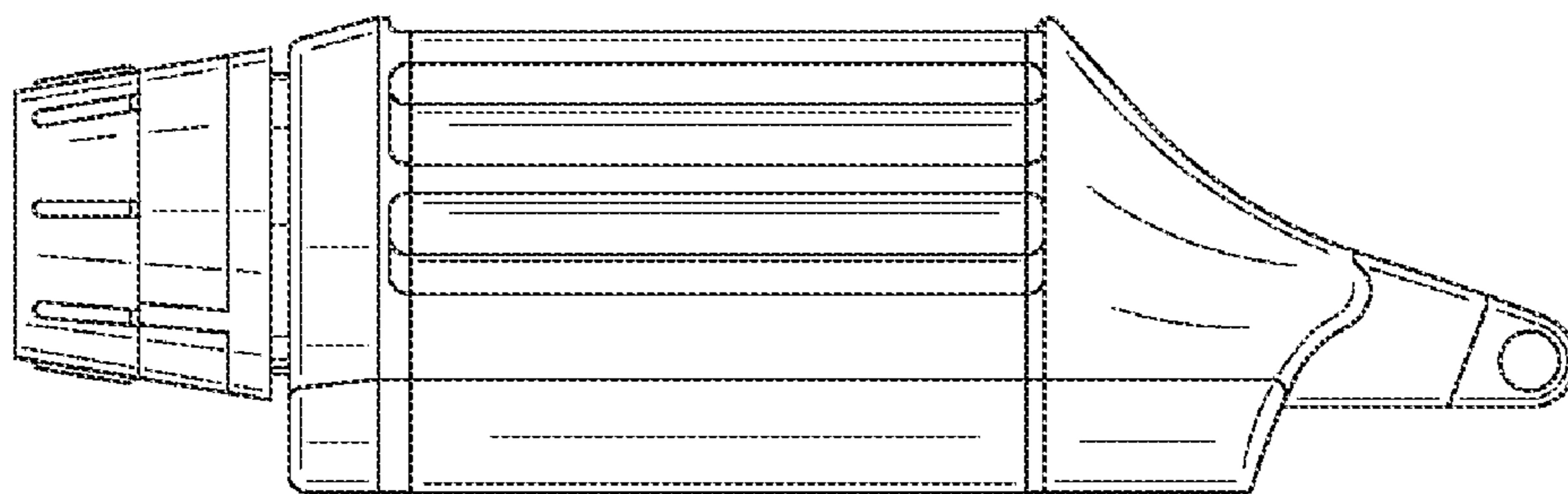


FIG. 5

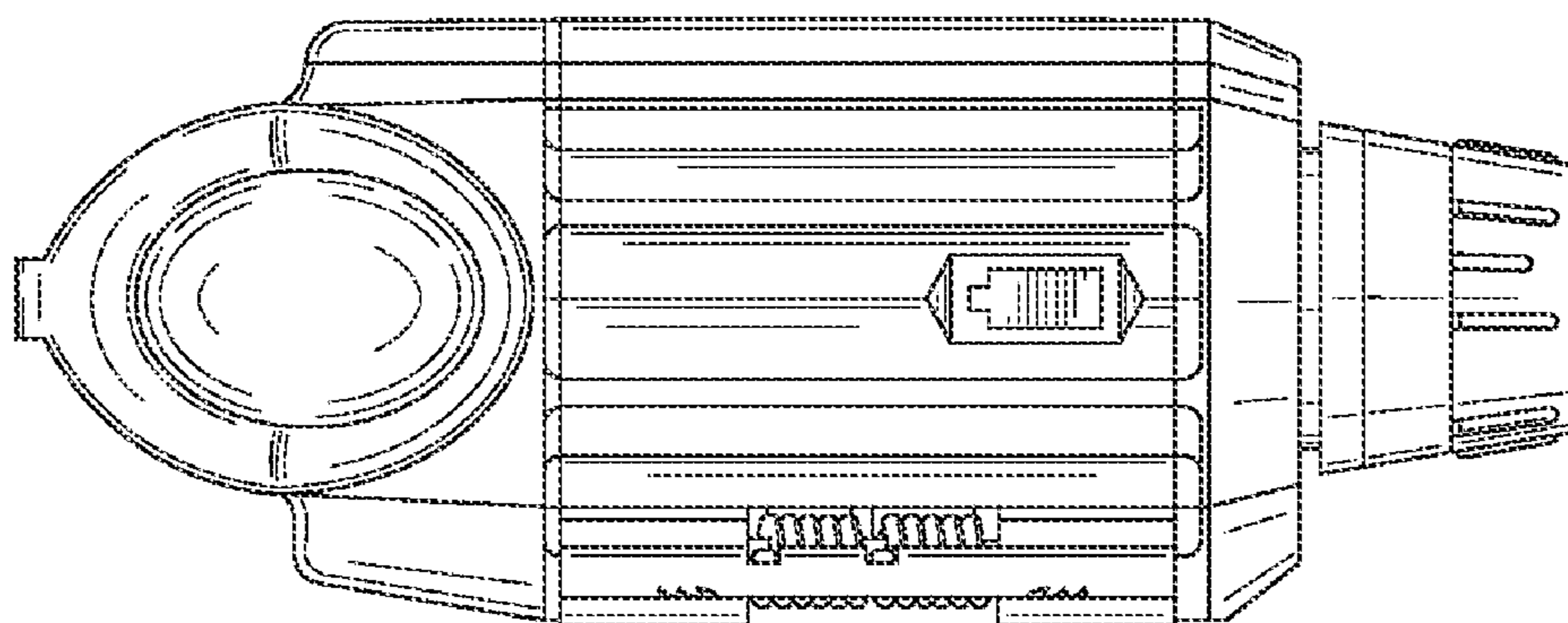


FIG. 6

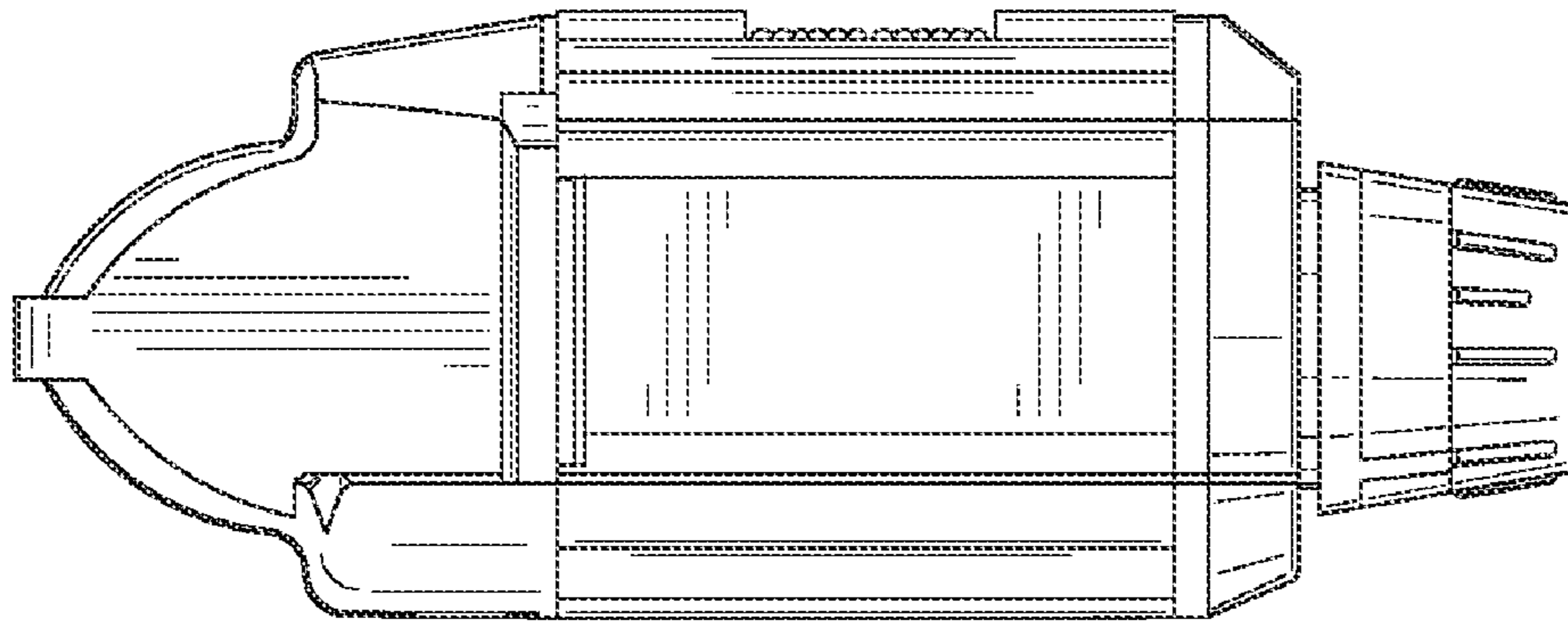


FIG. 7

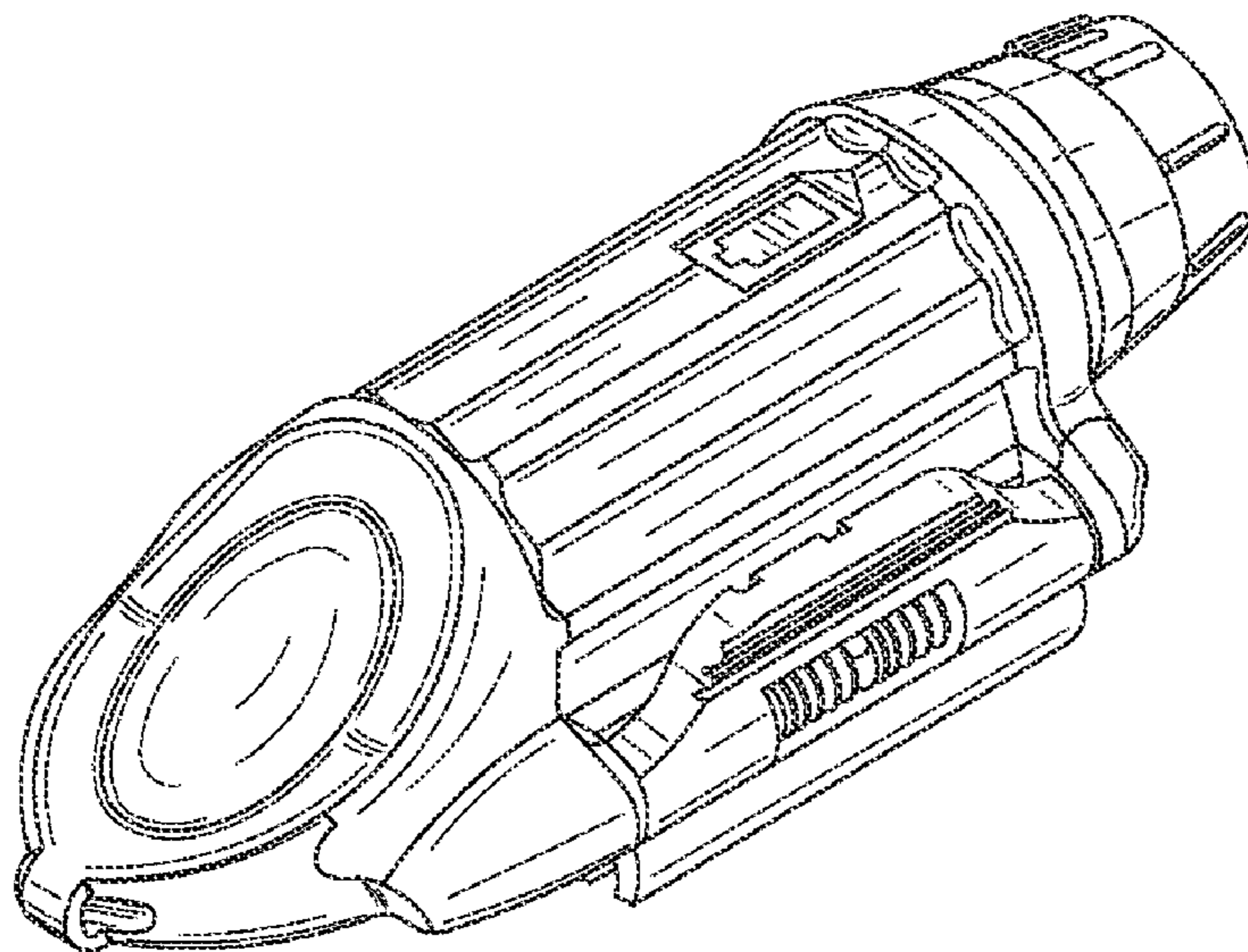


FIG. 8