



US00D567889S

(12) **United States Design Patent**
Tang et al.

(10) **Patent No.:** **US D567,889 S**

(45) **Date of Patent:** **** Apr. 29, 2008**

(54) **GOLF CLUB CHIPPER HEAD**

(75) Inventors: **Larry G. Tang**, Carlsbad, CA (US);
Augustin W. Rollinson, Carlsbad, CA (US)

(73) Assignee: **Callaway Golf Company**, Carlsbad, CA (US)

(**) Term: **14 Years**

(21) Appl. No.: **29/280,106**

(22) Filed: **May 16, 2007**

(51) **LOC (8) Cl.** **21-02**

(52) **U.S. Cl.** **D21/752**

(58) **Field of Classification Search** D21/733-752;
473/324-331, 340-346, 350
See application file for complete search history.

(56) **References Cited**

U.S. PATENT DOCUMENTS

D320,427 S *	10/1991	Antonious	D21/751
D334,606 S *	4/1993	Cameron	D21/751
D396,083 S *	7/1998	Sheets	D21/742
D400,610 S *	11/1998	Cameron et al.	D21/742
D418,885 S *	1/2000	Wanchena	D21/733
6,139,446 A *	10/2000	Wanchena	473/349

6,248,026 B1 *	6/2001	Wanchena	473/349
D470,203 S *	2/2003	Rollinson et al.	D21/733
D470,553 S *	2/2003	Helmstetter et al.	D21/733
D503,443 S *	3/2005	Gillig	D21/733
7,309,295 B2 *	12/2007	Solari	473/328

* cited by examiner

Primary Examiner—Mitchell I Siegel

(74) *Attorney, Agent, or Firm*—Michael A. Catania; Elaine H. Lo

(57) **CLAIM**

The ornamental design for a golf club chipper head, as shown and described.

DESCRIPTION

FIG. 1 is a front perspective view of a golf club chipper head;

FIG. 2 is a front elevational view thereof;

FIG. 3 is a top plan view thereof;

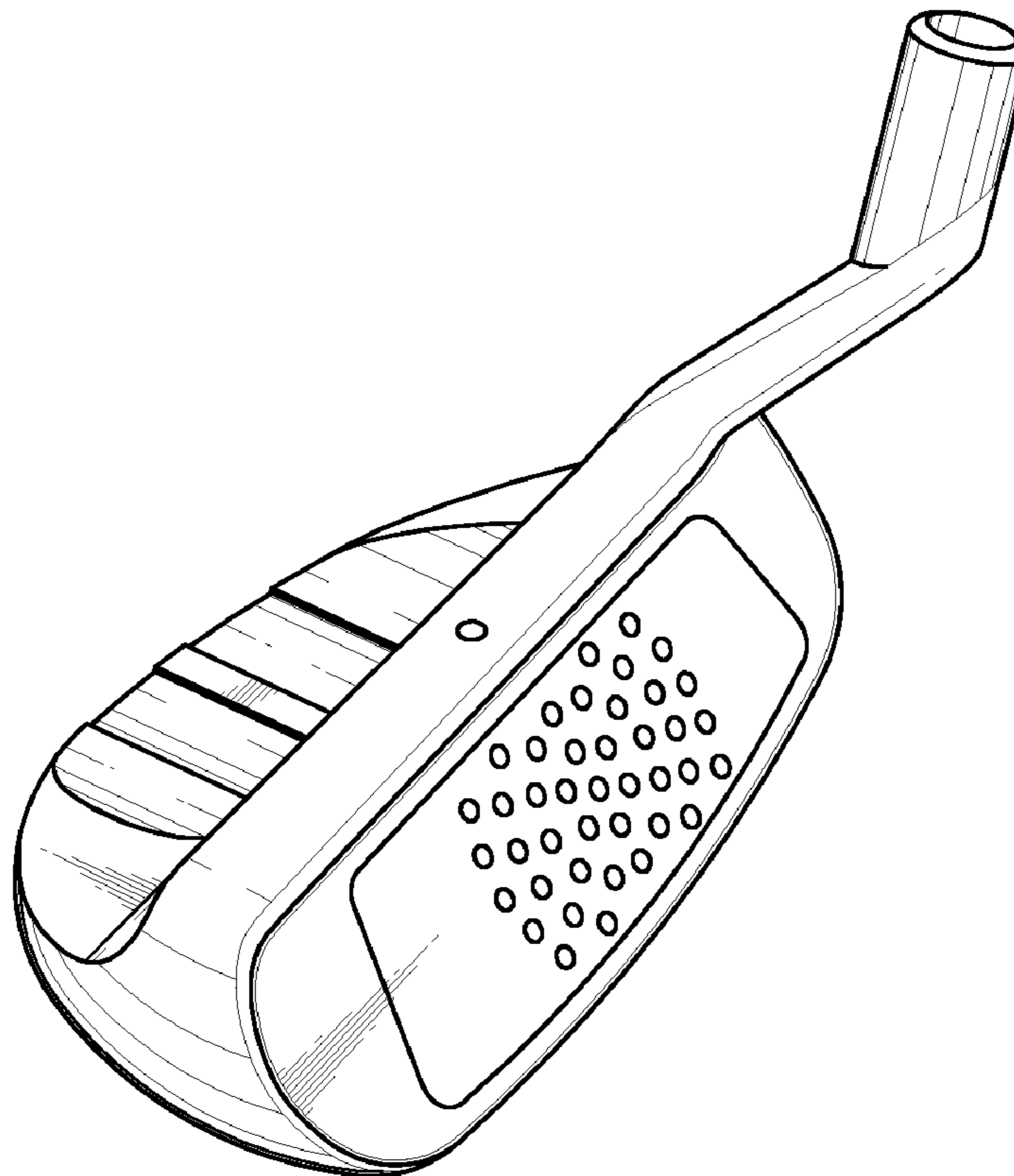
FIG. 4 is a rear elevational view thereof;

FIG. 5 is a bottom plan view thereof;

FIG. 6 is toe end elevational view thereof; and,

FIG. 7 is a heel end view thereof.

1 Claim, 2 Drawing Sheets



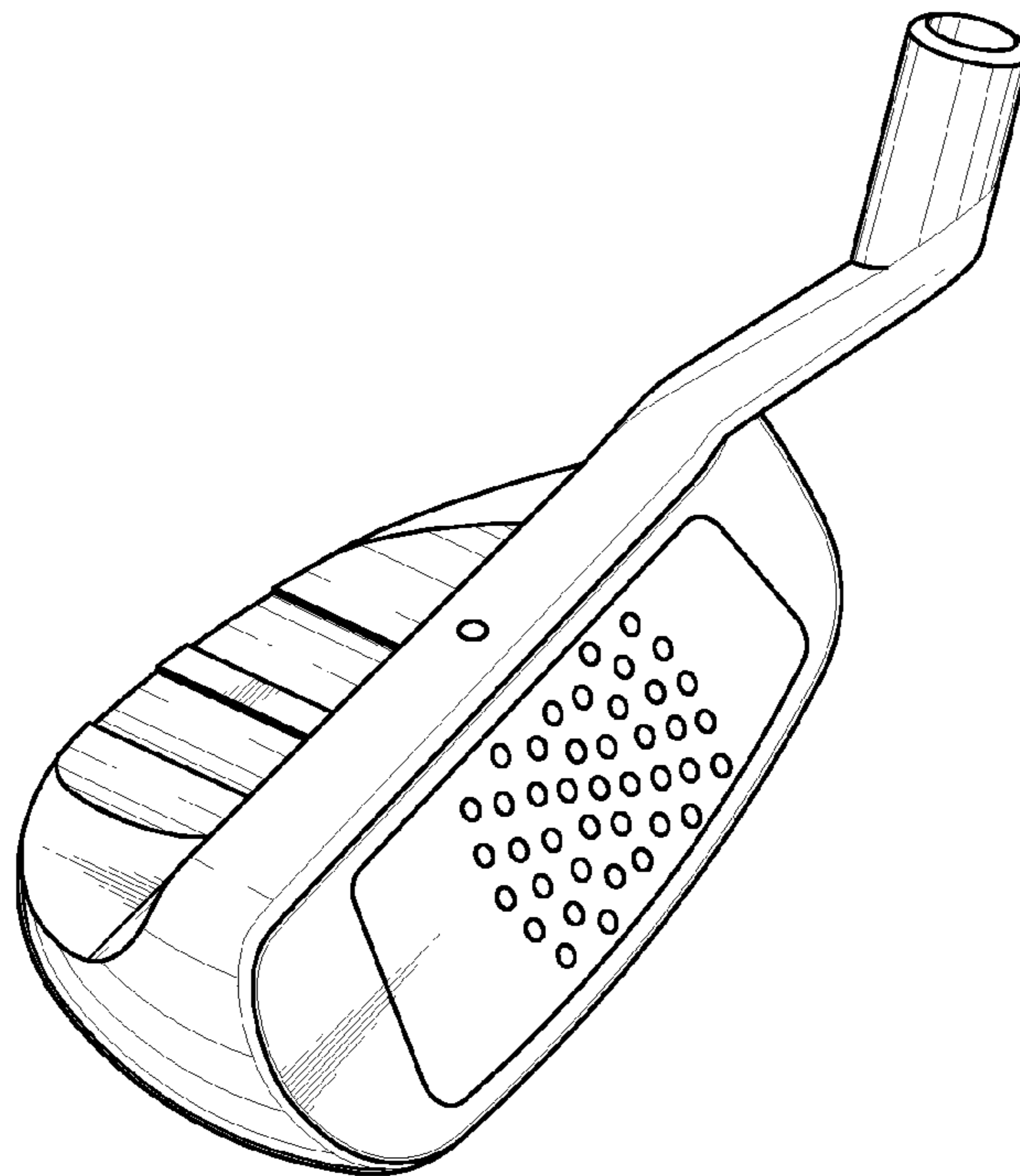


FIG. 1

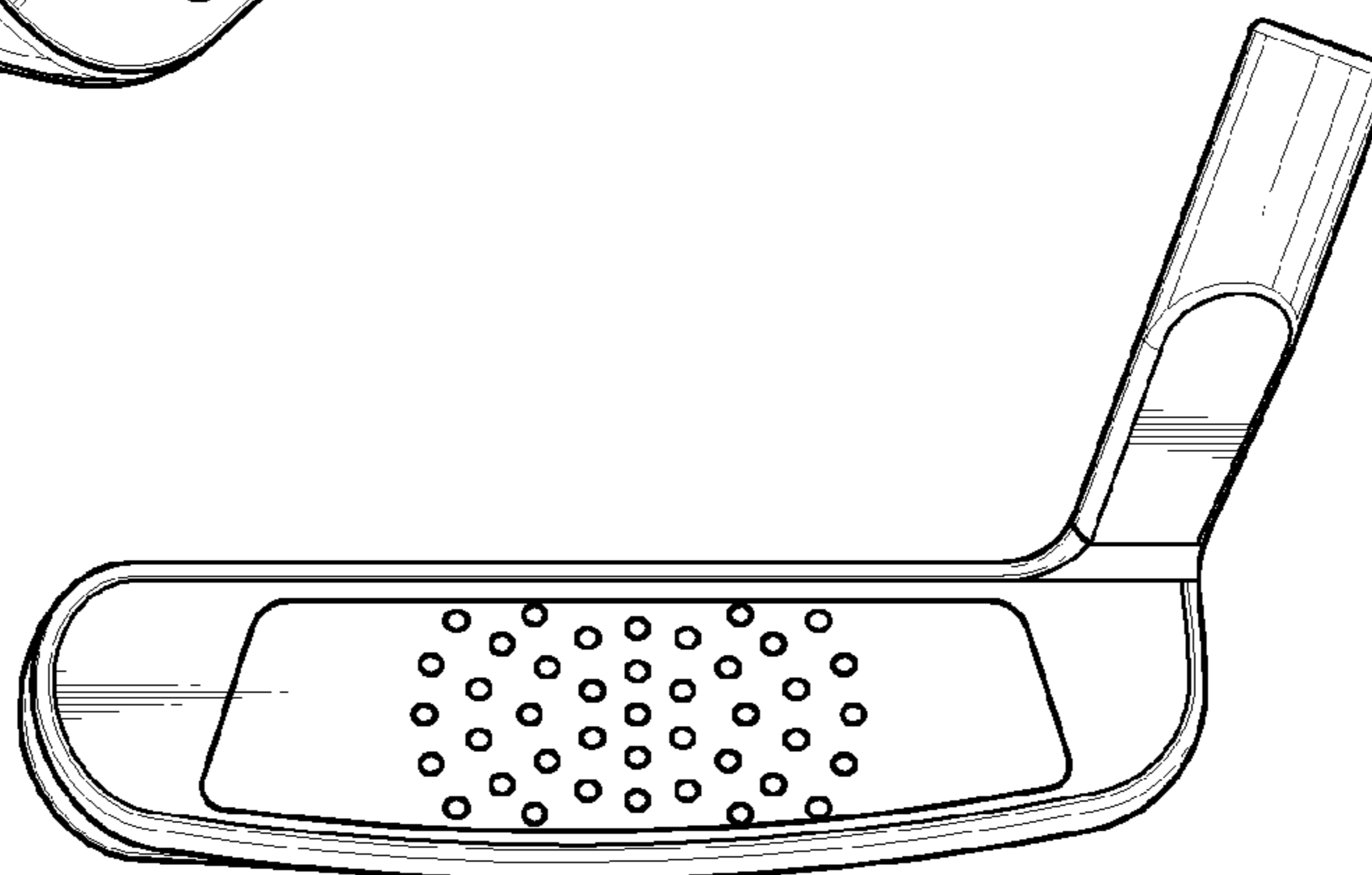


FIG. 2

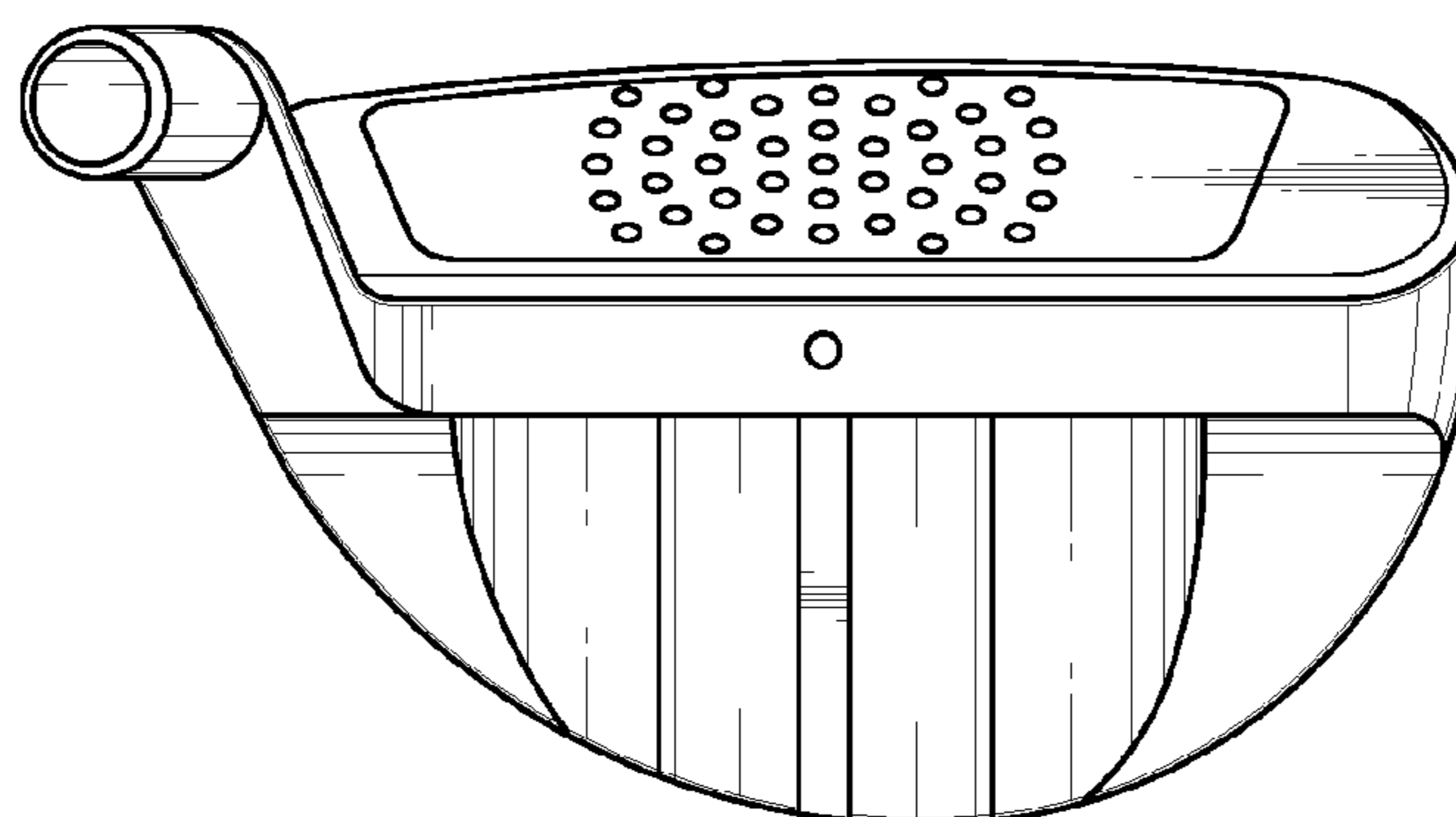


FIG. 3

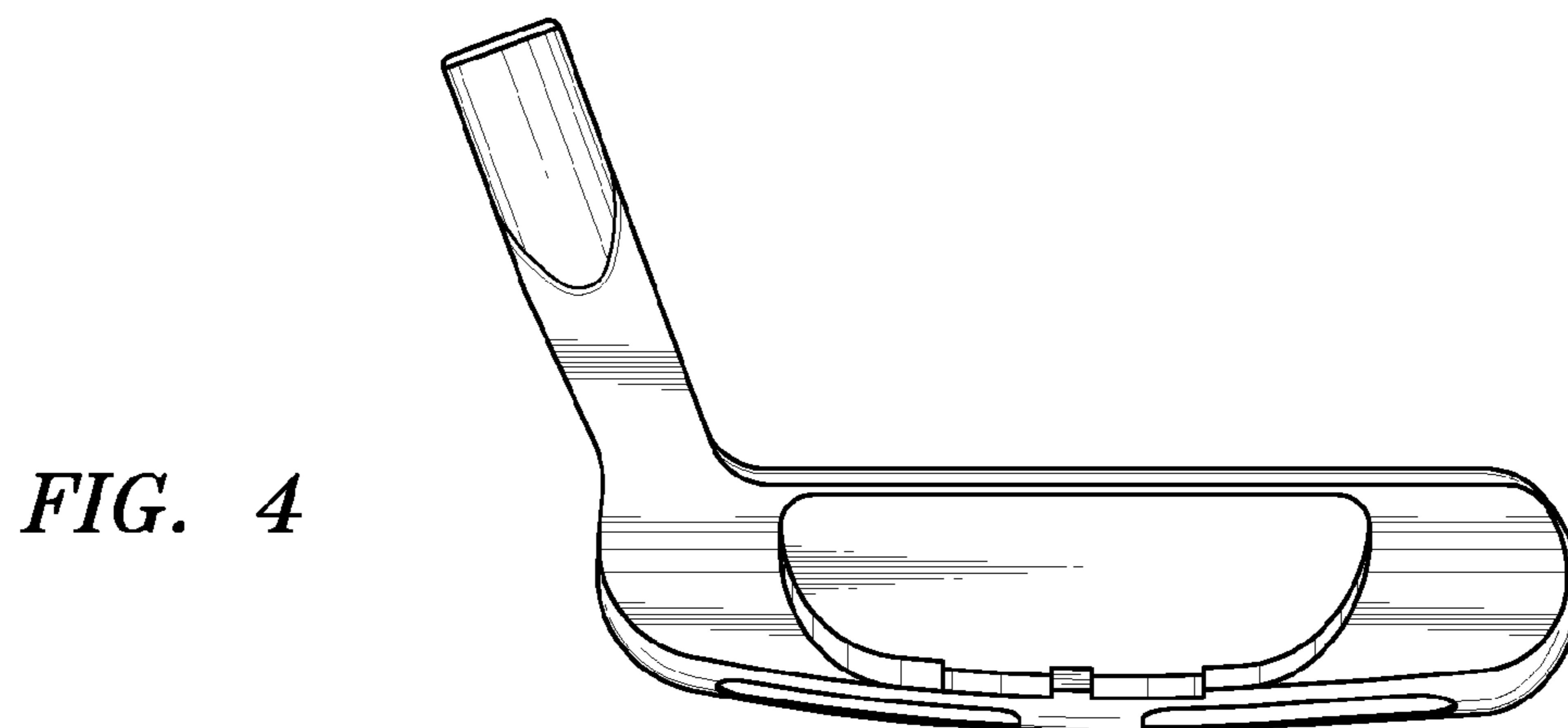


FIG. 4

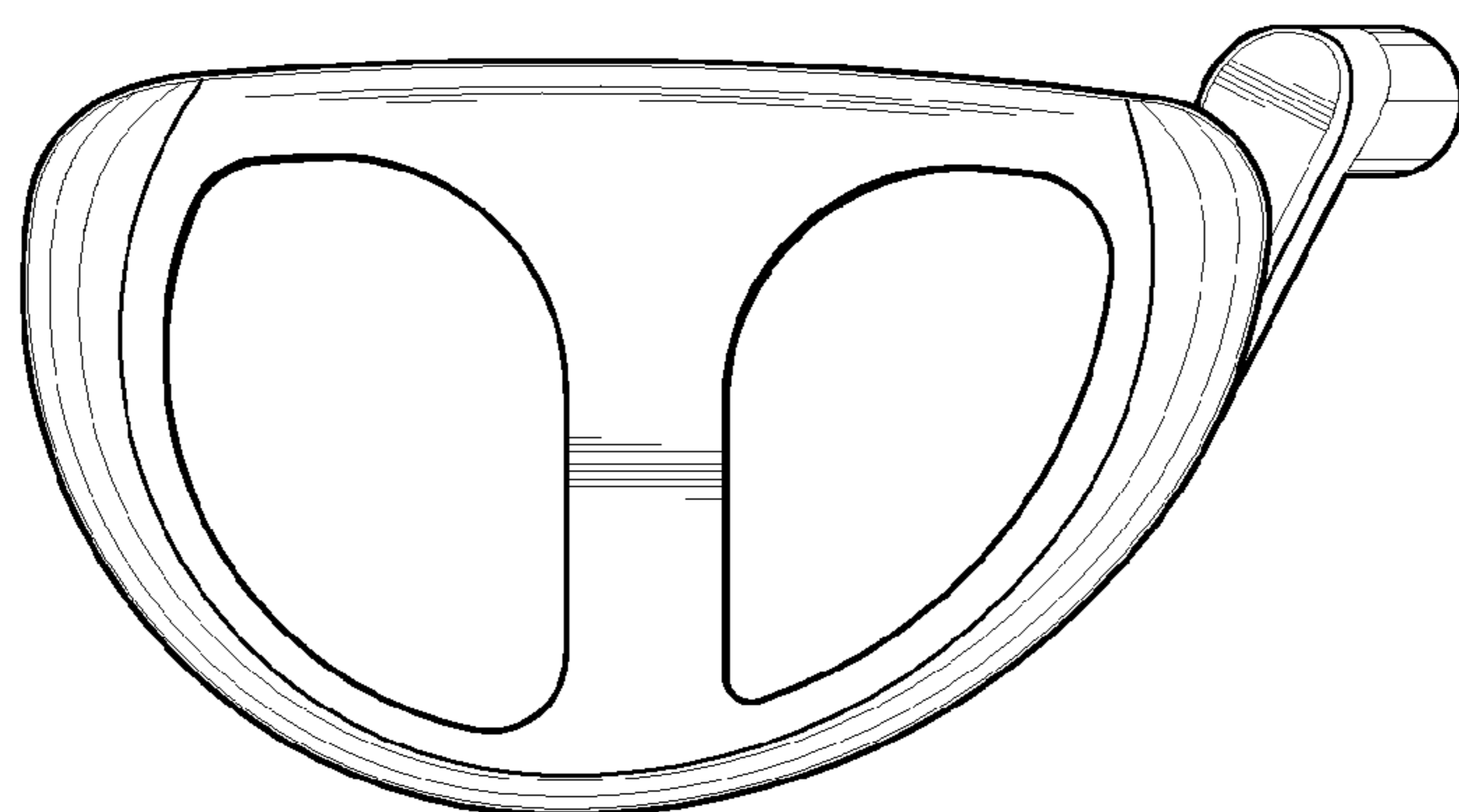


FIG. 5

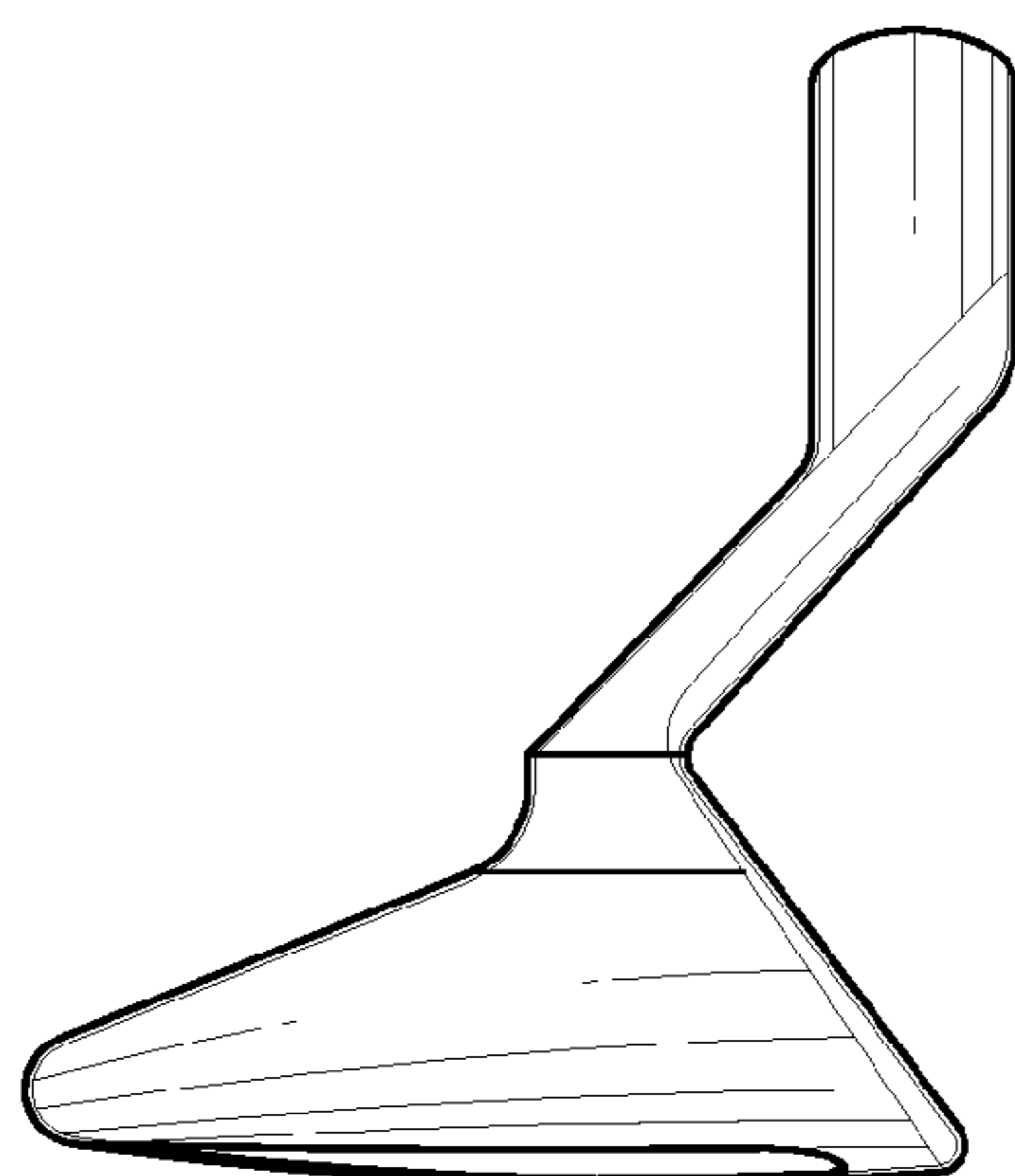


FIG. 6

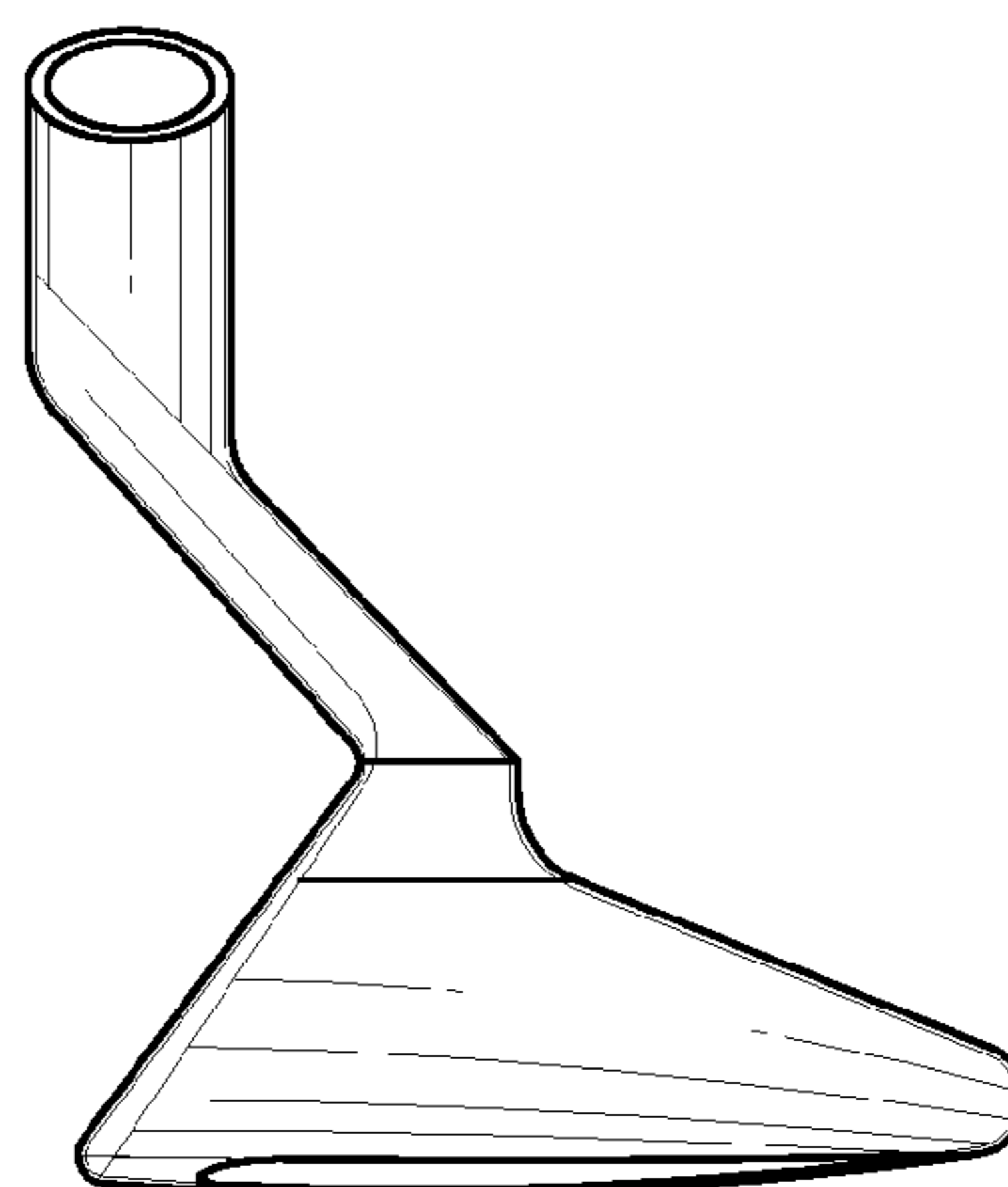


FIG. 7