

US00D567887S

(12) **United States Design Patent**
Deluise et al.

(10) **Patent No.:** **US D567,887 S**
(45) **Date of Patent:** **** Apr. 29, 2008**

(54) **ROLLING EXERCISE DEVICE SET**

(75) Inventors: **Joseph Deluise**, N. Miami Beach, FL (US); **Peter Cornelia**, Davie, FL (US)

(73) Assignee: **StretchNCrunch, Inc.**, Livonia, MI (US)

(**) Term: **14 Years**

(21) Appl. No.: **29/281,151**

(22) Filed: **Jun. 15, 2007**

| | | | |
|----------------|---------|---------------------|------------|
| D197,205 S | 12/1963 | Estwing | |
| D202,687 S | 10/1965 | Estwing | |
| D272,712 S | 2/1984 | Allen | |
| 4,700,945 A * | 10/1987 | Rader | 482/132 |
| D330,957 S * | 11/1992 | Contrini | D34/23 |
| D386,057 S | 11/1997 | Hreha | |
| D428,454 S * | 7/2000 | Fischer et al. | D21/662 |
| D446,264 S * | 8/2001 | Fischer et al. | D21/662 |
| 6,457,731 B1 * | 10/2002 | Paranto et al. | 280/249 |
| 6,561,530 B2 * | 5/2003 | Carbonero | 280/87.041 |
| 6,752,380 B1 | 6/2004 | Taylor et al. | |
| D521,708 S * | 5/2006 | Obbitts et al. | D34/23 |
| 7,213,819 B2 * | 5/2007 | Carbonero | 280/79.11 |

* cited by examiner

Related U.S. Application Data

(62) Division of application No. 10/747,901, filed on Dec. 30, 2003, now abandoned.

(51) **LOC (8) Cl.** **21-02**

(52) **U.S. Cl.** **D21/662**

(58) **Field of Classification Search** D21/662,
D21/686, 687, 688, 765; D34/23; 482/68,
482/132, 907; 280/32.5, 35, 79.11, 11.19,
280/87.01

See application file for complete search history.

Primary Examiner—Philip S. Hyder

(74) *Attorney, Agent, or Firm*—John R. Benefiel

(57) **CLAIM**

The ornamental design for rolling exercise device set, as shown and described.

DESCRIPTION

FIG. 1 is a pictorial view of a rolling exercise device set according to the present invention from the upper left side, the right side being identical; and,

FIG. 2 is a pictorial view of the exercise device set shown in FIG. 1 from below and the right side, the left side being identical.

(56) **References Cited**

U.S. PATENT DOCUMENTS

| | | |
|-------------|---------|---------|
| 1,221,323 A | 4/1917 | Hill |
| D54,308 S | 12/1919 | Dencker |
| 1,359,777 A | 11/1920 | Wright |

1 Claim, 2 Drawing Sheets

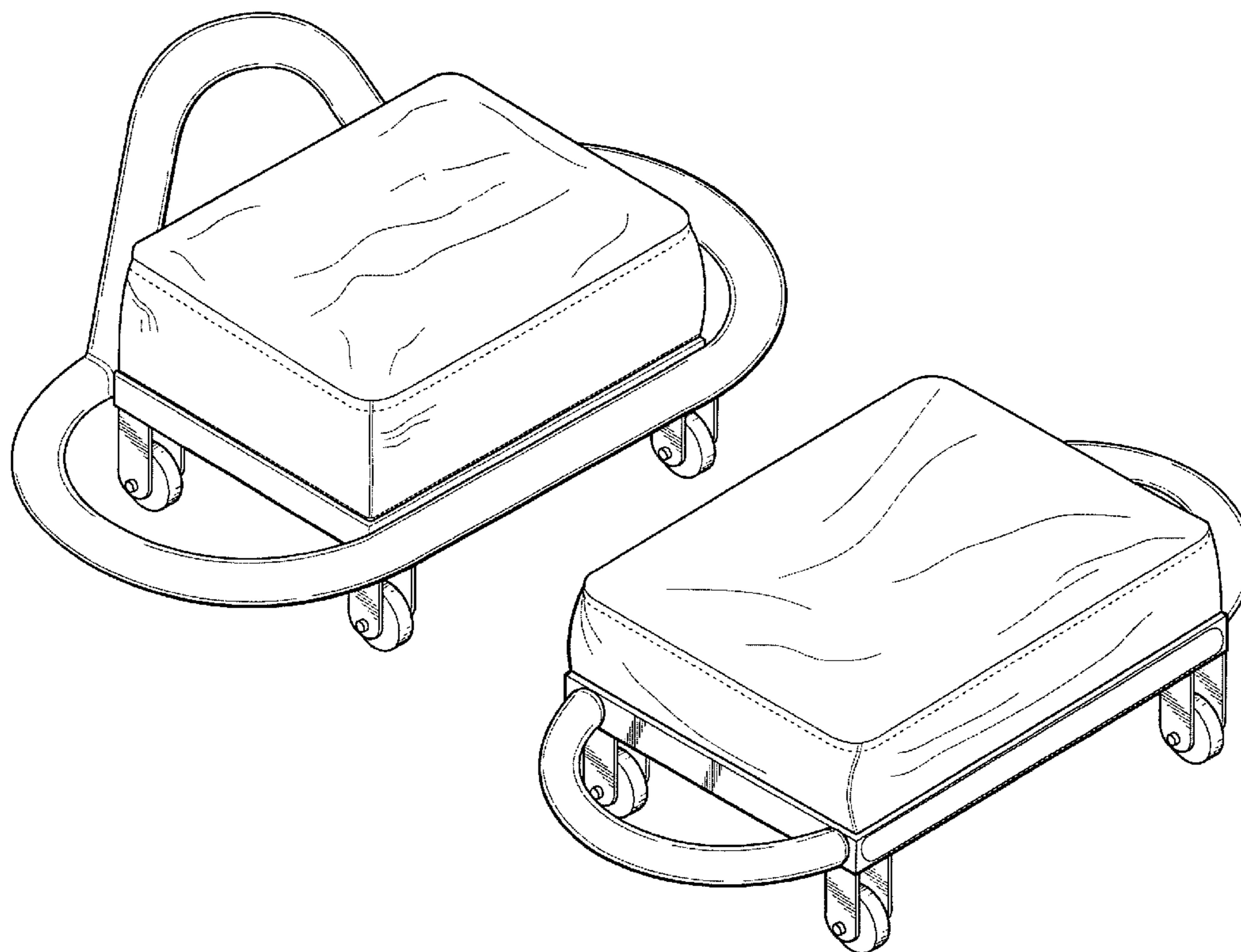
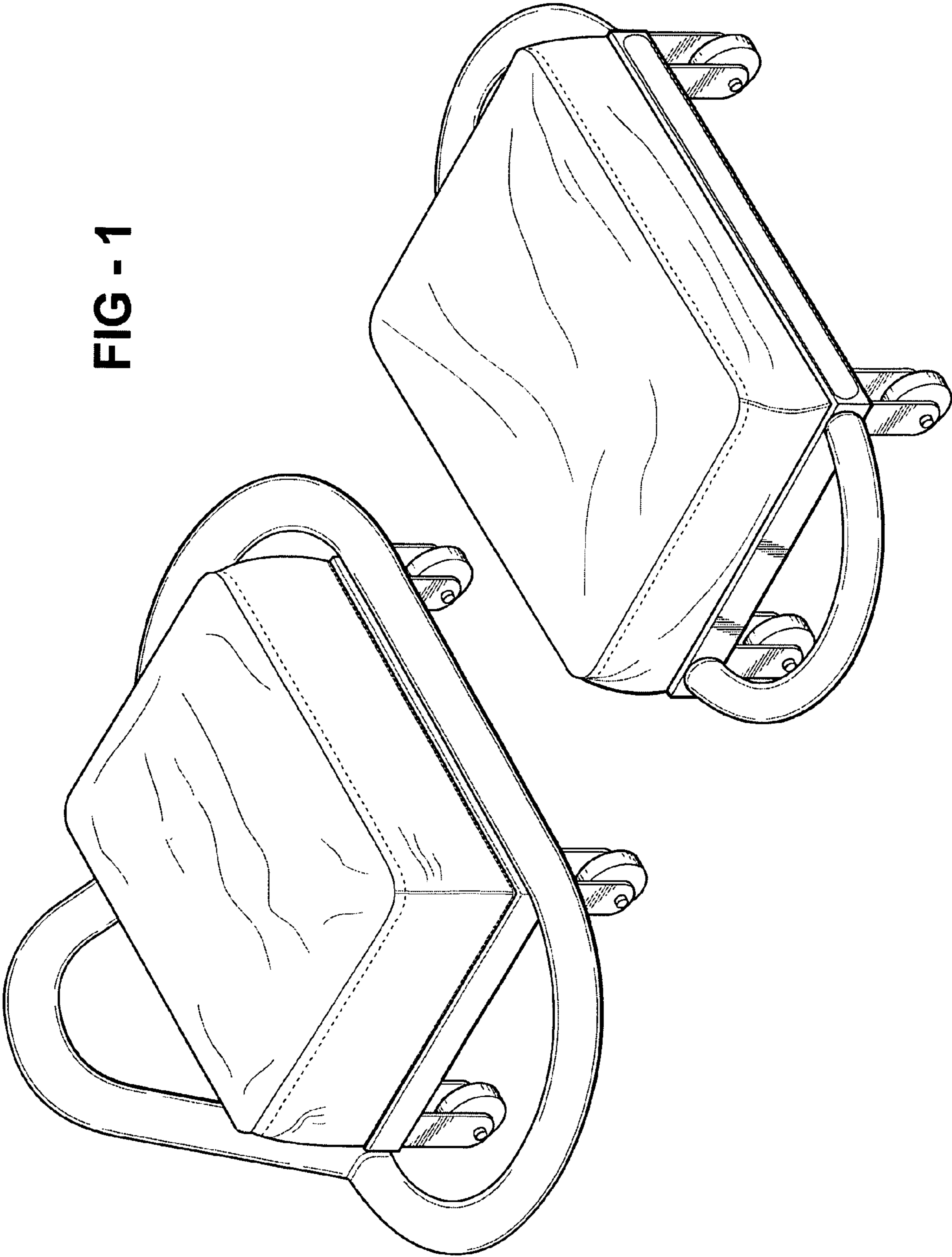


FIG - 1



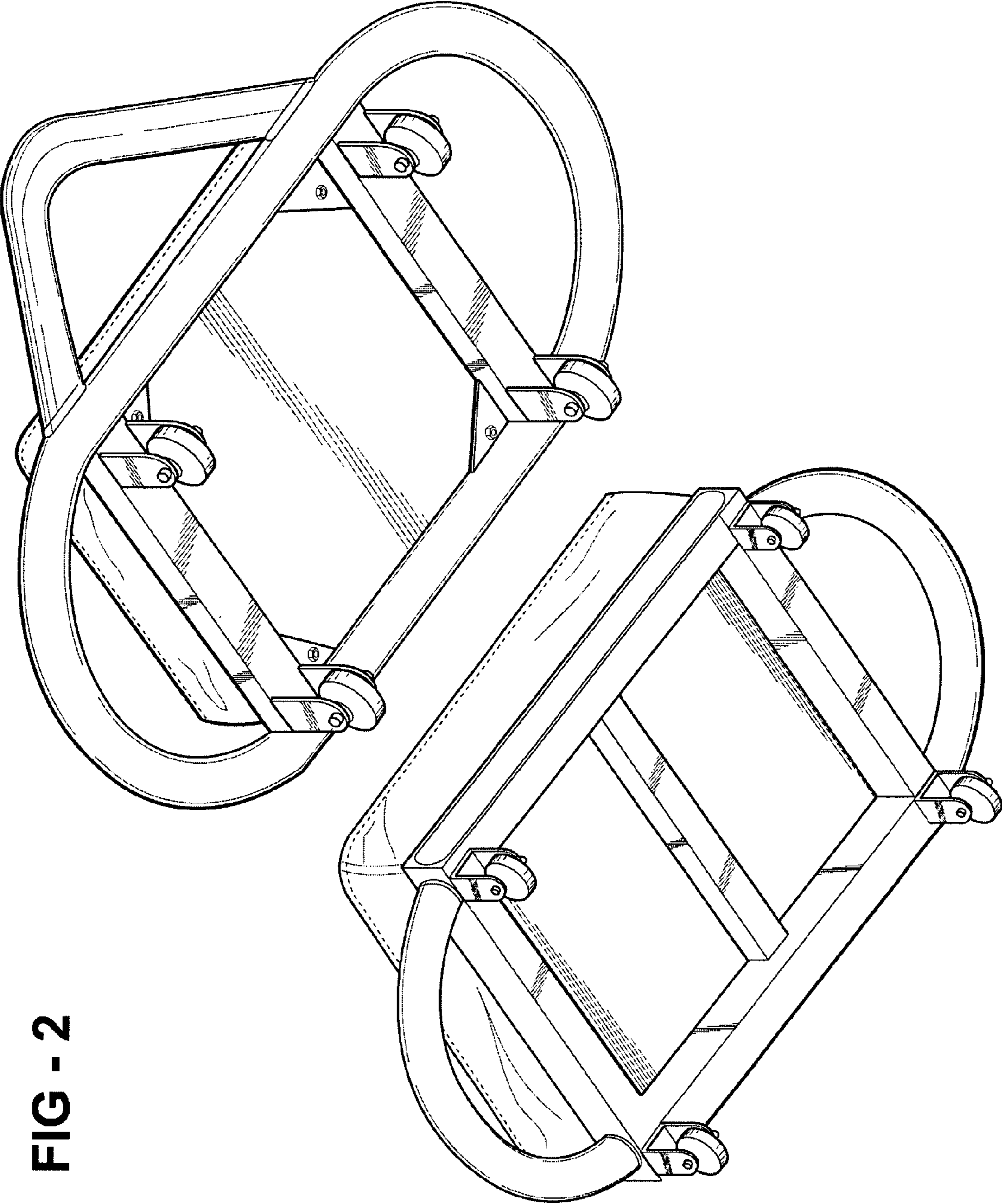


FIG - 2