



US00D567884S

(12) **United States Design Patent**
Walker et al.

(10) **Patent No.:** **US D567,884 S**
(45) **Date of Patent:** **** Apr. 29, 2008**

(54) **MOBILE WITH HANGING ANGELS**

(76) Inventors: **Loretta J. Walker**, 2132 Aberdeen Ct.,
Hanover Park, IL (US) 60133; **Daniel**
Walker, 2132 Aberdeen Ct., Hanover
Park, IL (US) 60133

(**) Term: **14 Years**

(21) Appl. No.: **29/264,319**

(22) Filed: **Aug. 8, 2006**

(51) **LOC (8) Cl.** **21-01**

(52) **U.S. Cl.** **D21/467**

(58) **Field of Classification Search** D21/465,
D21/467, 405, 590, 593, 594, 626; D11/141,
D11/162, 121, 124, 125, 127, 128; D20/42;
446/3, 175, 227-229, 236, 242, 265, 332,
446/359; 40/411, 412, 414, 415, 417, 501,
40/455-457, 473, 617; 428/3, 7, 28
See application file for complete search history.

(56) **References Cited**

U.S. PATENT DOCUMENTS

2,022,390	A *	11/1935	Stern	446/248
D135,470	S *	4/1943	Hoffmann	D11/124
D138,799	S *	9/1944	Cartee	D21/626
2,828,963	A *	4/1958	Steiner	446/254
3,060,628	A *	10/1962	Palmer	446/227
D278,446	S *	4/1985	Kujawski et al.	D21/467

5,015,209	A *	5/1991	Ortiz	446/73
5,029,047	A *	7/1991	Kachel	362/551
D371,170	S *	6/1996	Melandow	D21/467
5,951,360	A *	9/1999	Fearon et al.	446/227
6,113,455	A *	9/2000	Whelan et al.	446/227
6,464,555	B1 *	10/2002	Paduano	446/227
D528,169	S *	9/2006	Hayes	D21/467
2005/0197040	A1 *	9/2005	Babbidge et al.	446/227

* cited by examiner

Primary Examiner—Catherine Tuttle

(57) **CLAIM**

The ornamental design for a mobile with hanging angels, as shown and described.

DESCRIPTION

FIG. 1 is a perspective view of our design;
FIG. 2 is a side elevational view of our design, the opposite view being a mirror image thereof;
FIG. 3 is a top view of our design;
FIG. 4 is a back elevational view of our design; and,
FIG. 5 is a front view of our design.

The broken lines are included for the purpose of illustrating portions of the mobile with hanging angels that form no part of the claimed design.

1 Claim, 5 Drawing Sheets

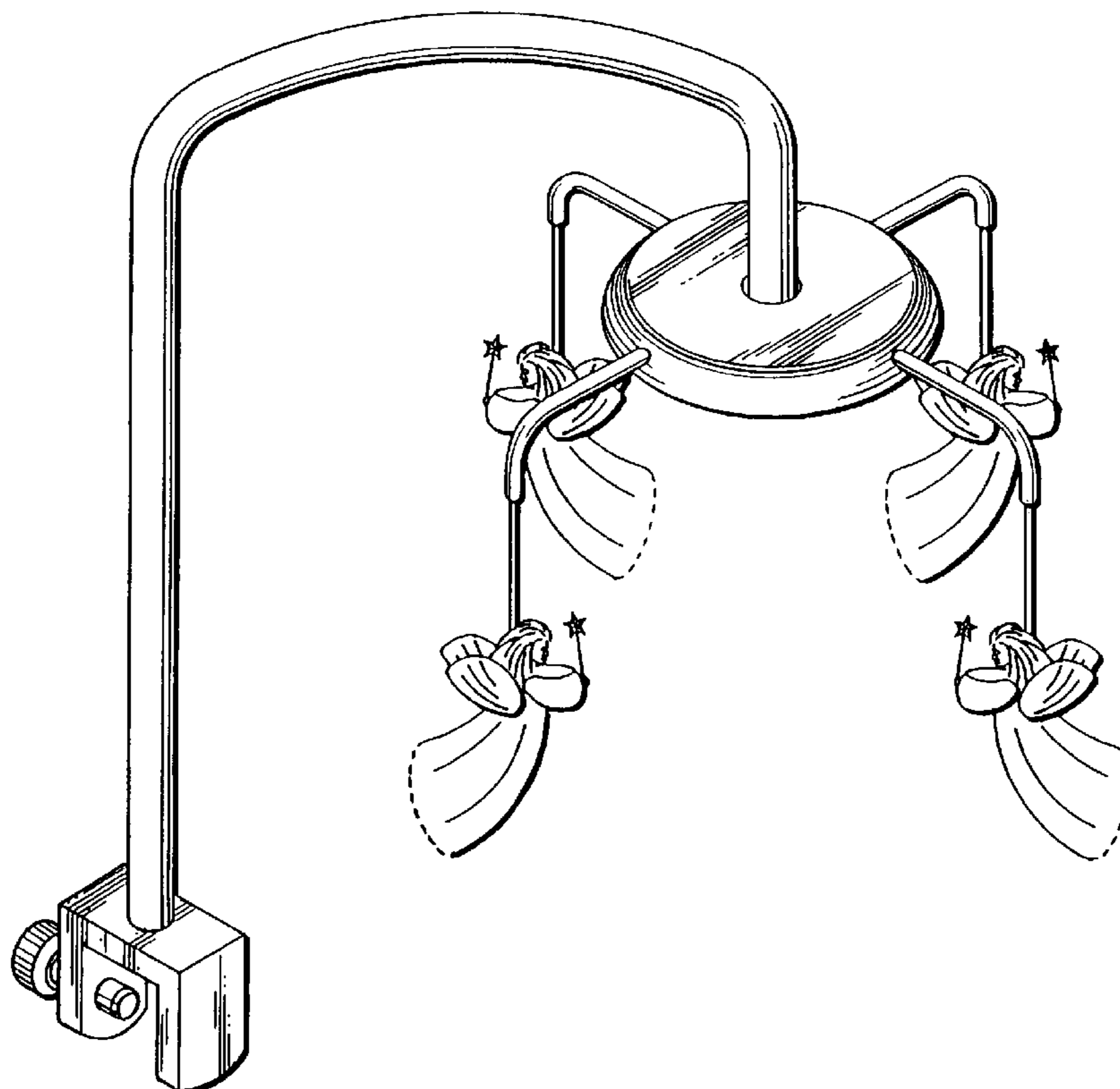


Fig. 1

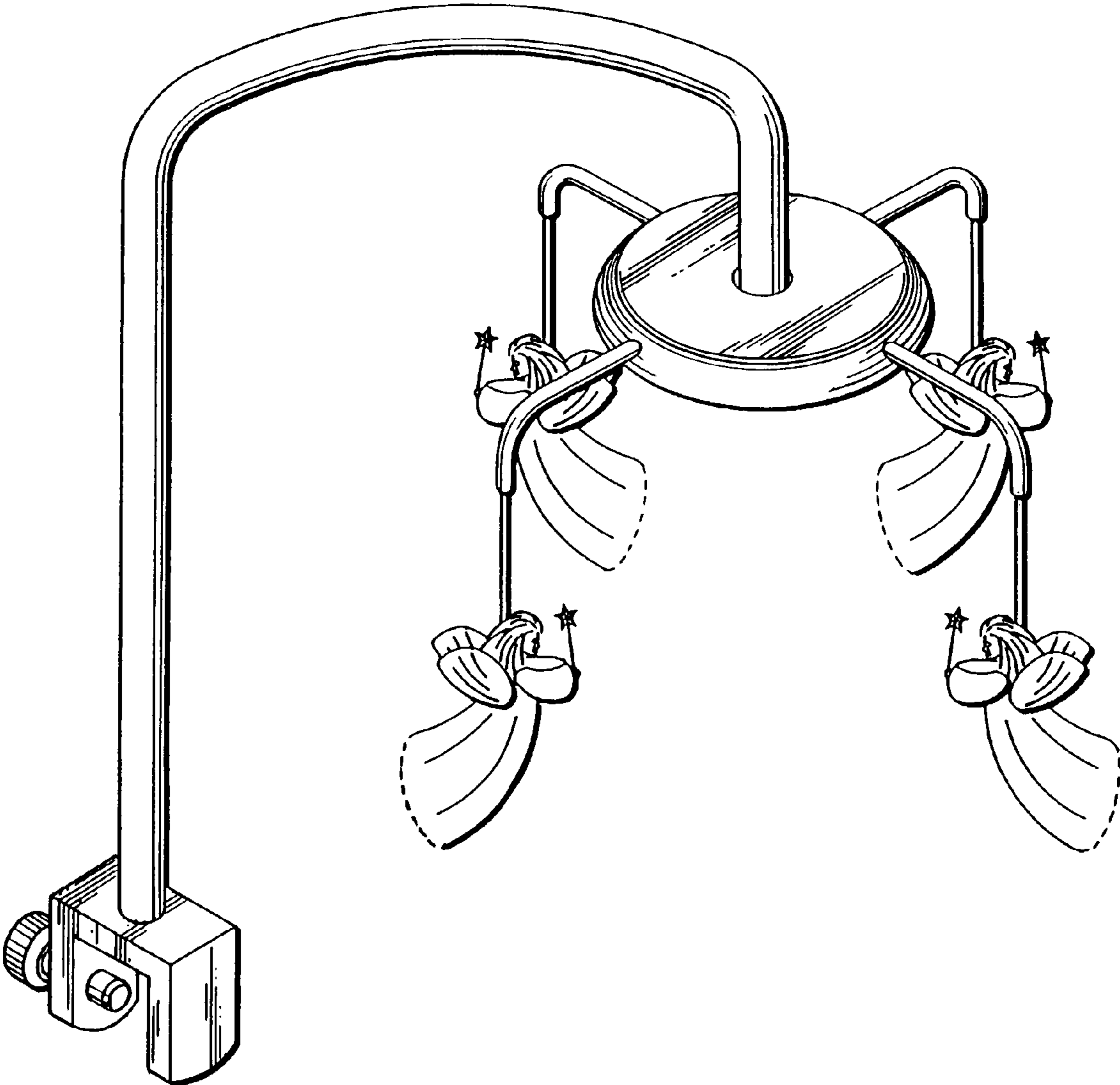


Fig. 2

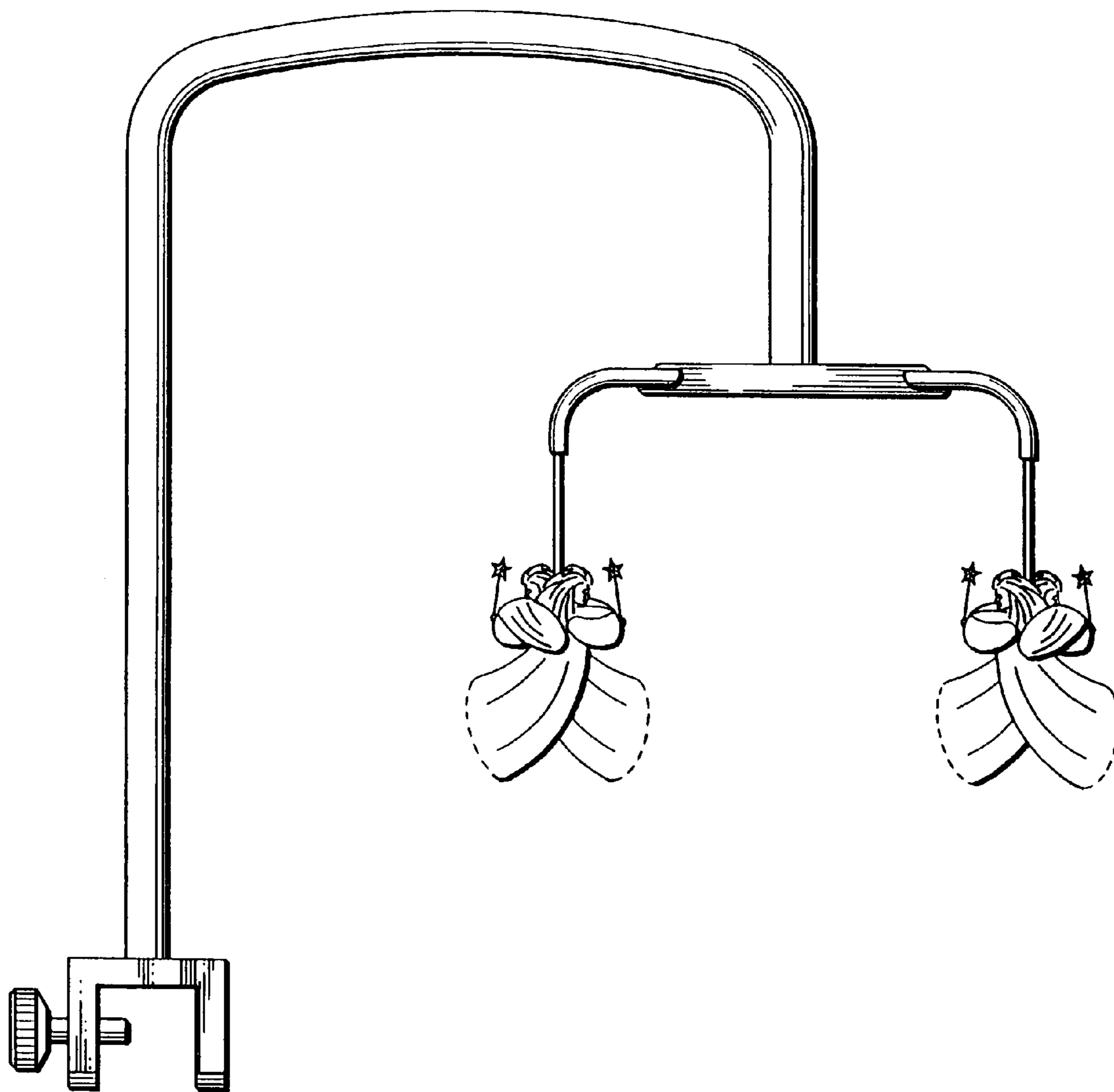


Fig. 3

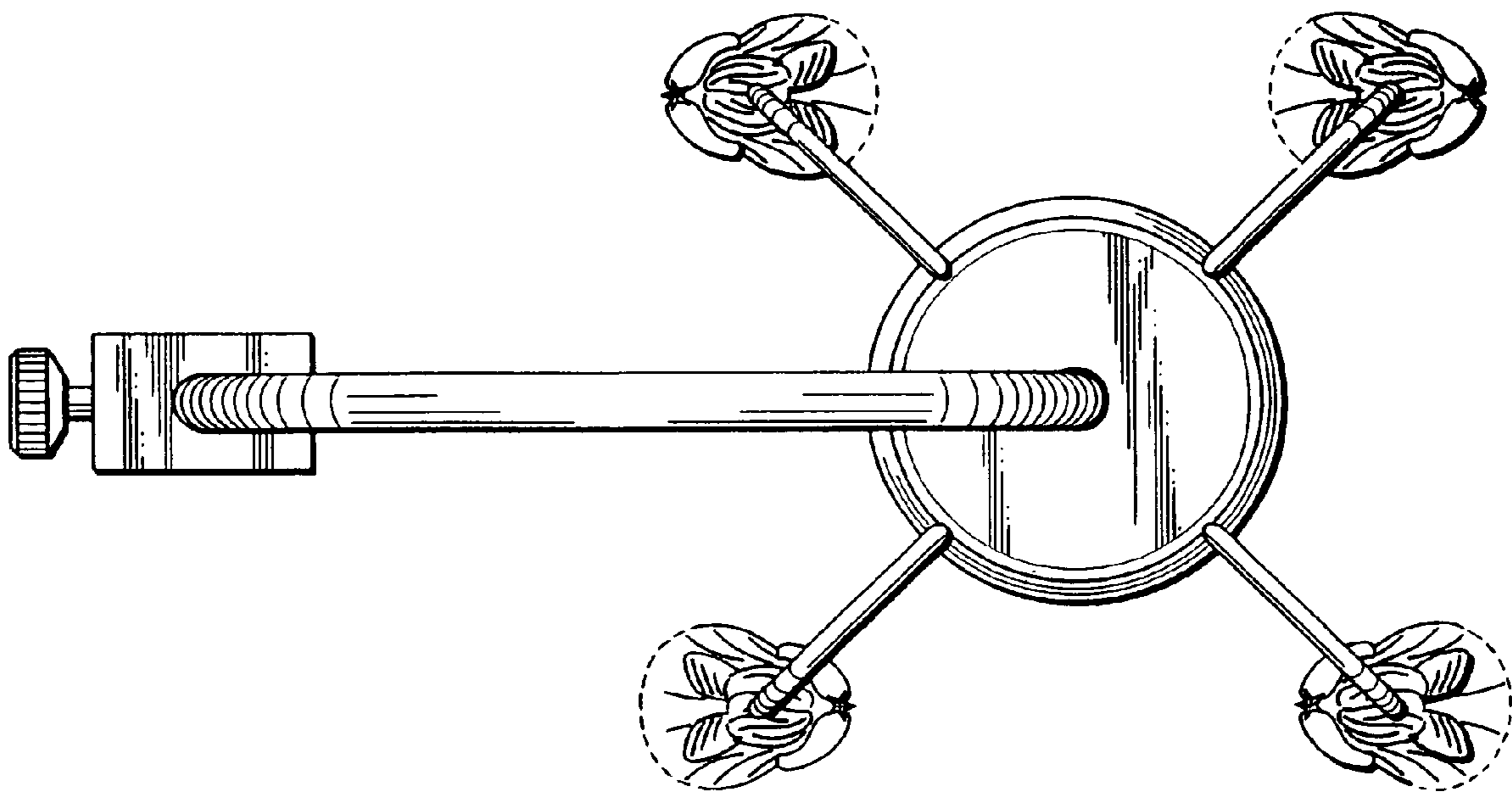


Fig. 4

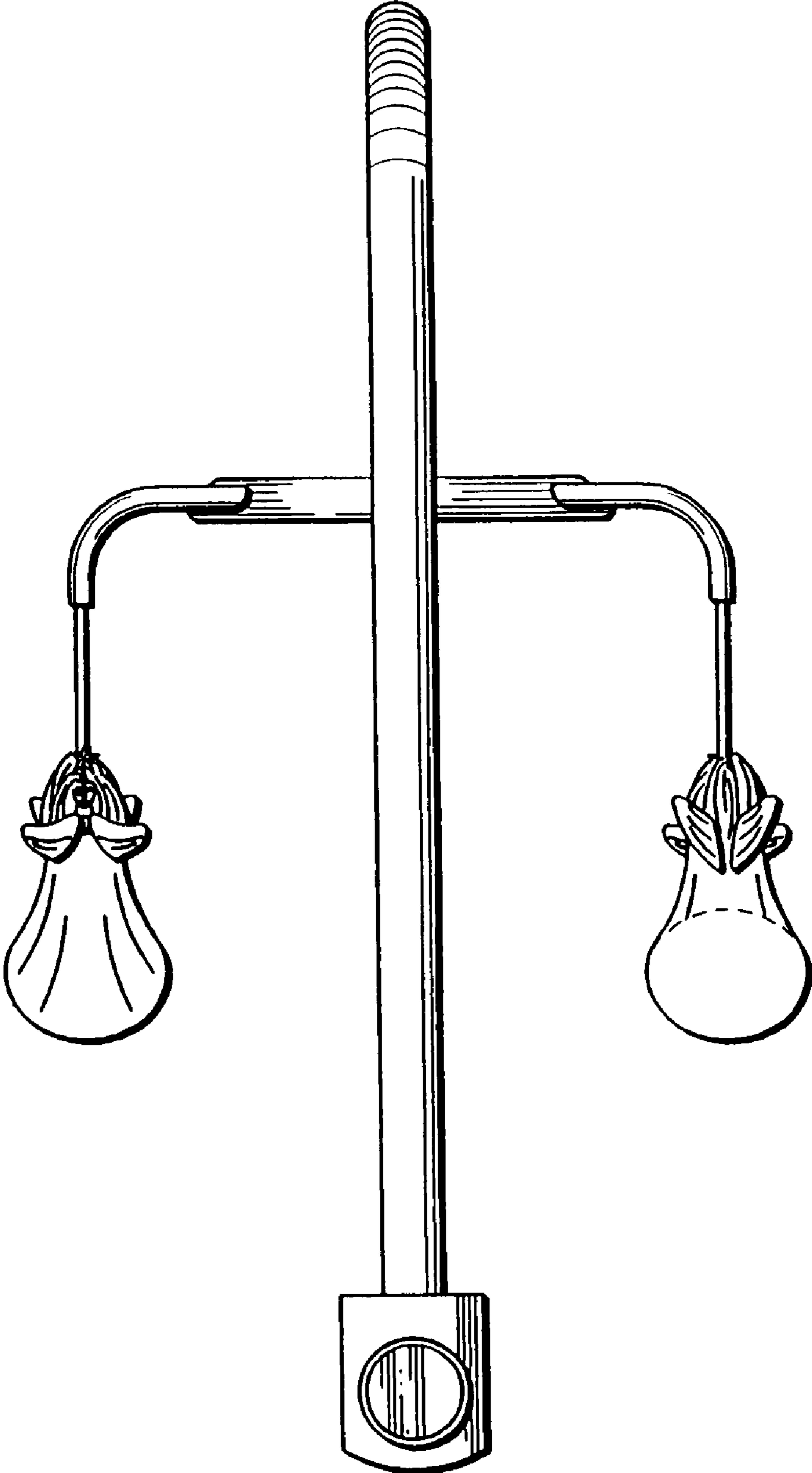


Fig. 5

