



US00D567883S

(12) **United States Design Patent**
Ota

(10) **Patent No.:** **US D567,883 S**

(45) **Date of Patent:** **** Apr. 29, 2008**

(54) **SLIDING PLAY TOOL**

(57) **CLAIM**

(76) **Inventor:** **Junzo Ota**, 28-5, Miharadai 3-chome,
Nerima-ku, Tokyo 177-0031 (JP)

The ornamental design for a sliding play tool, as shown and described.

(**) **Term:** **14 Years**

DESCRIPTION

(21) **Appl. No.:** **29/271,091**

FIG. 1 is an upper perspective view of a sliding play tool showing my new design;

(22) **Filed:** **Jan. 9, 2007**

FIG. 2 is a front perspective view thereof;

(30) **Foreign Application Priority Data**

FIG. 3 is a bottom perspective view thereof;

Jul. 13, 2006 (JP) 2006-018508

FIG. 4 is a front elevational view thereof, the rear elevational view being identical thereto;

(51) **LOC (8) Cl.** **21-01**

FIG. 5 is a top plan view thereof;

(52) **U.S. Cl.** **D21/421; D21/765**

FIG. 6 is a bottom plan view thereof;

(58) **Field of Classification Search** D21/760,
D21/765, 769, 771, 423; 280/87.01, 87.021,
280/87.03, 87.041, 87.042, 11.115, 11.27,
280/11.28, 14.22; 180/180, 181; 441/74;
482/77, 30-32; 434/253, 247

FIG. 7 is a right side elevational view thereof, the left side elevational view being identical thereto;

See application file for complete search history.

FIG. 8 is an enlarged perspective, cross-sectional view of a portion thereof forward of the line 8—8 of FIG. 5;

(56) **References Cited**

FIG. 9 is an enlarged perspective, cross-sectional view of a portion thereof forward of the line 9—9 of FIG. 5;

U.S. PATENT DOCUMENTS

FIG. 10 is an enlarged perspective, cross-sectional view of a portion thereof forward of the line 10—10 of FIG. 5; and,

3,856,296 A * 12/1974 Fischer 482/31

FIG. 11 is a front perspective view of the sliding play tool with a user's feet and legs shown in broken lines.

4,460,170 A * 7/1984 Lundberg et al. 482/31

The front and rear elevations of the claimed design are identical, so that the rear elevation is omitted. The right and left elevations of the claimed design are identical, so that the left elevation is omitted.

5,080,382 A * 1/1992 Franz 280/87.042

5,312,258 A * 5/1994 Giorgio 434/253

6,832,979 B1 * 12/2004 Yarbrough 482/77

2004/0235620 A1 * 11/2004 Barbaferi et al. 482/31

* cited by examiner

Primary Examiner—Holly H. Baynham

Assistant Examiner—Cynthia M. Chin

(74) *Attorney, Agent, or Firm*—Carrier, Blackman + Associates, P.C.; William D. Blackman; Joseph P. Carrier

1 Claim, 6 Drawing Sheets

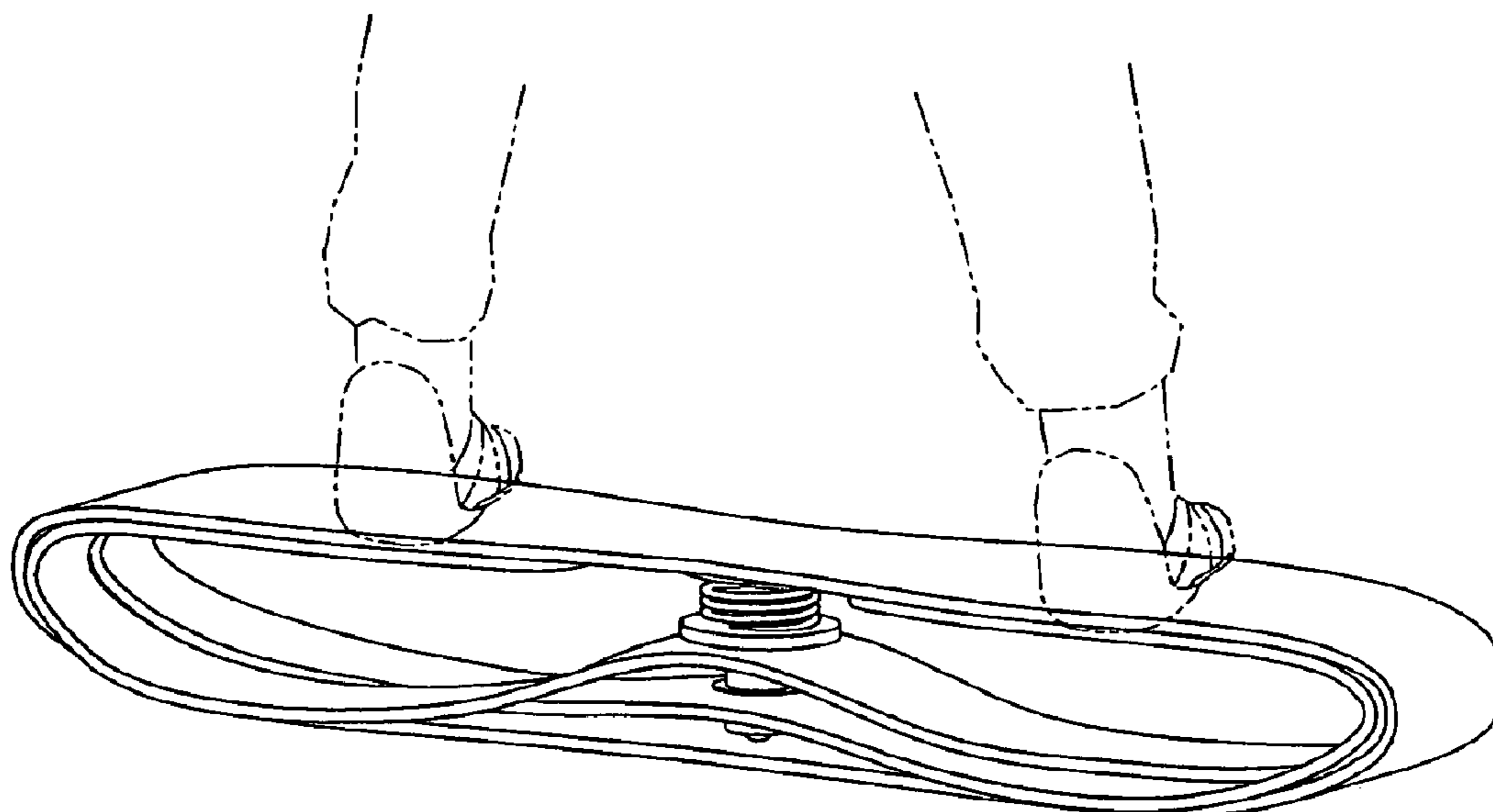


FIG. 1

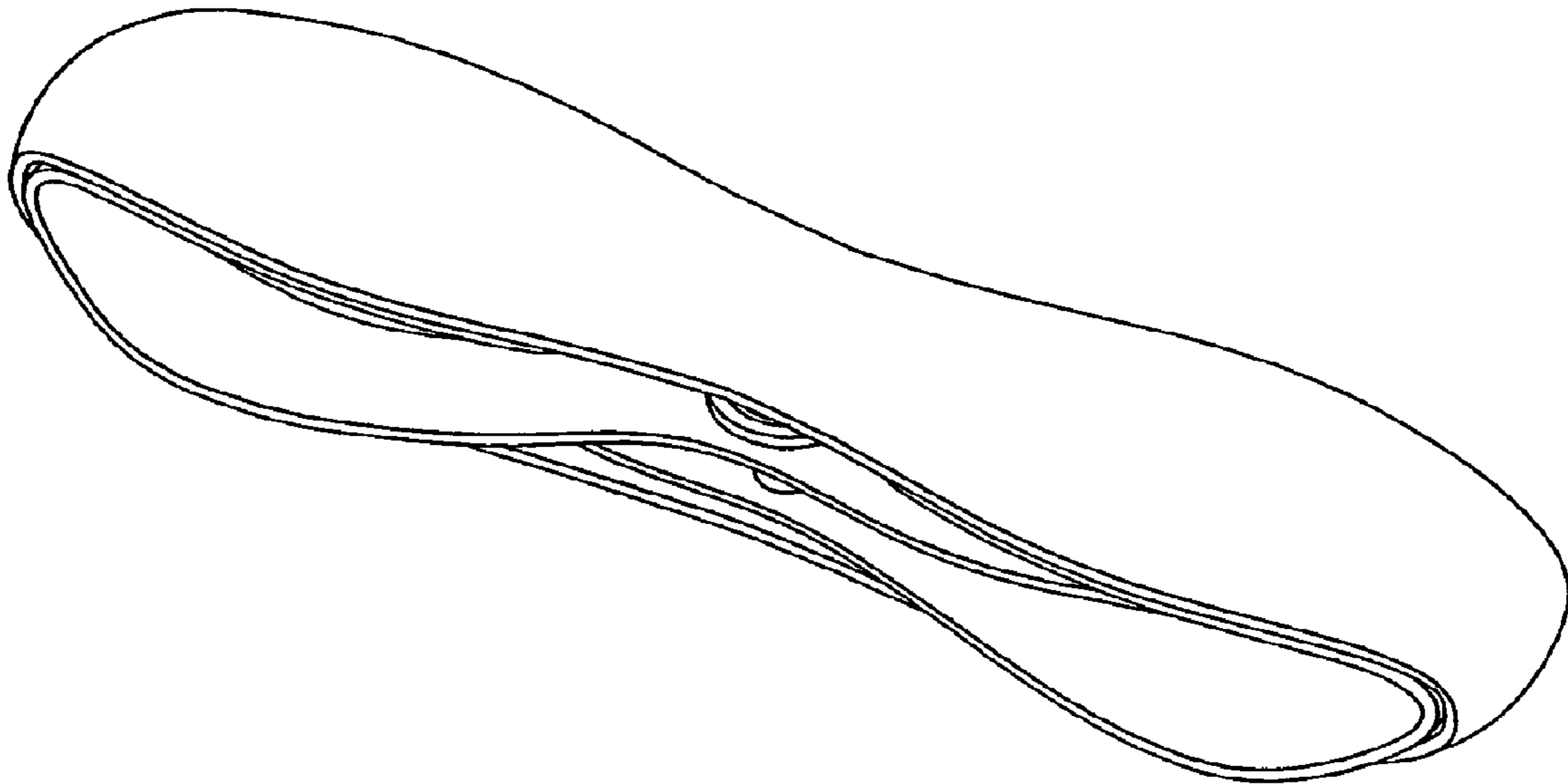


FIG. 2

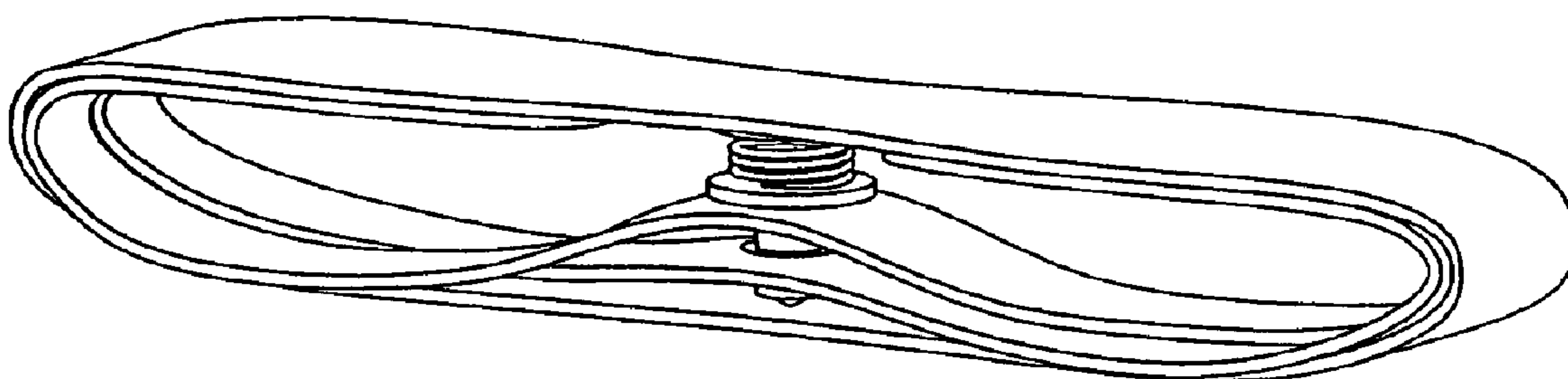


FIG. 3

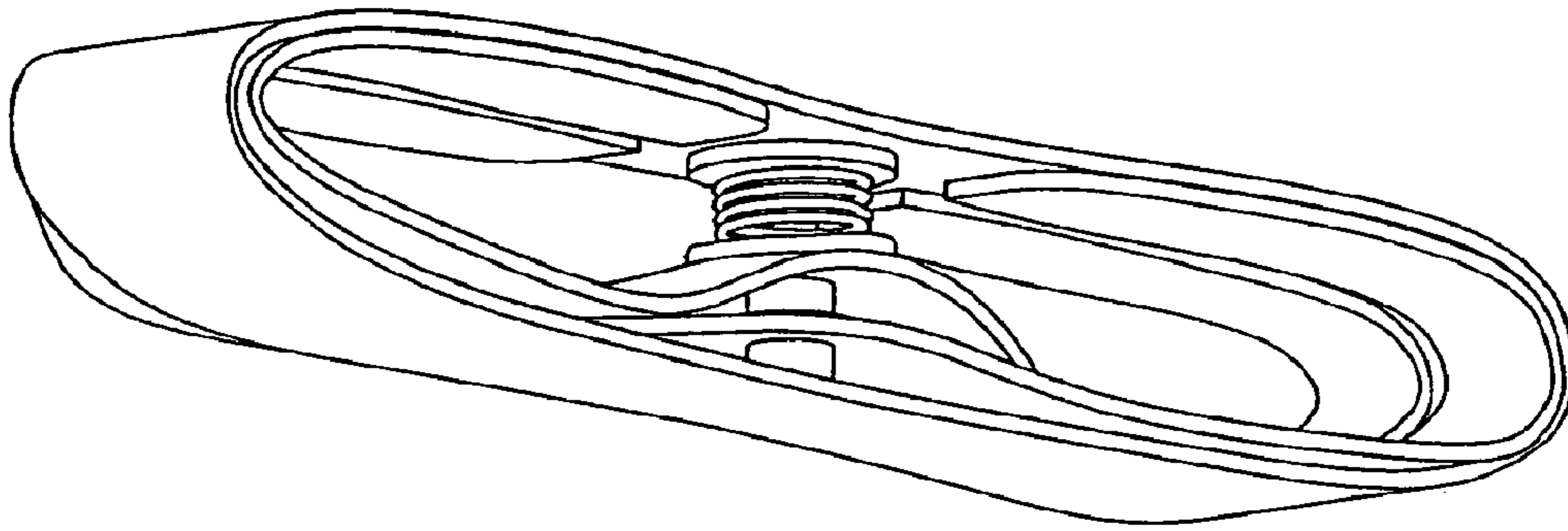


FIG. 4

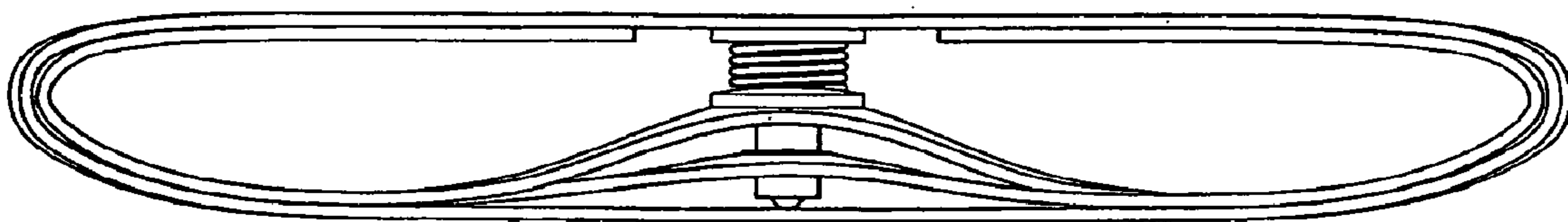


FIG. 5

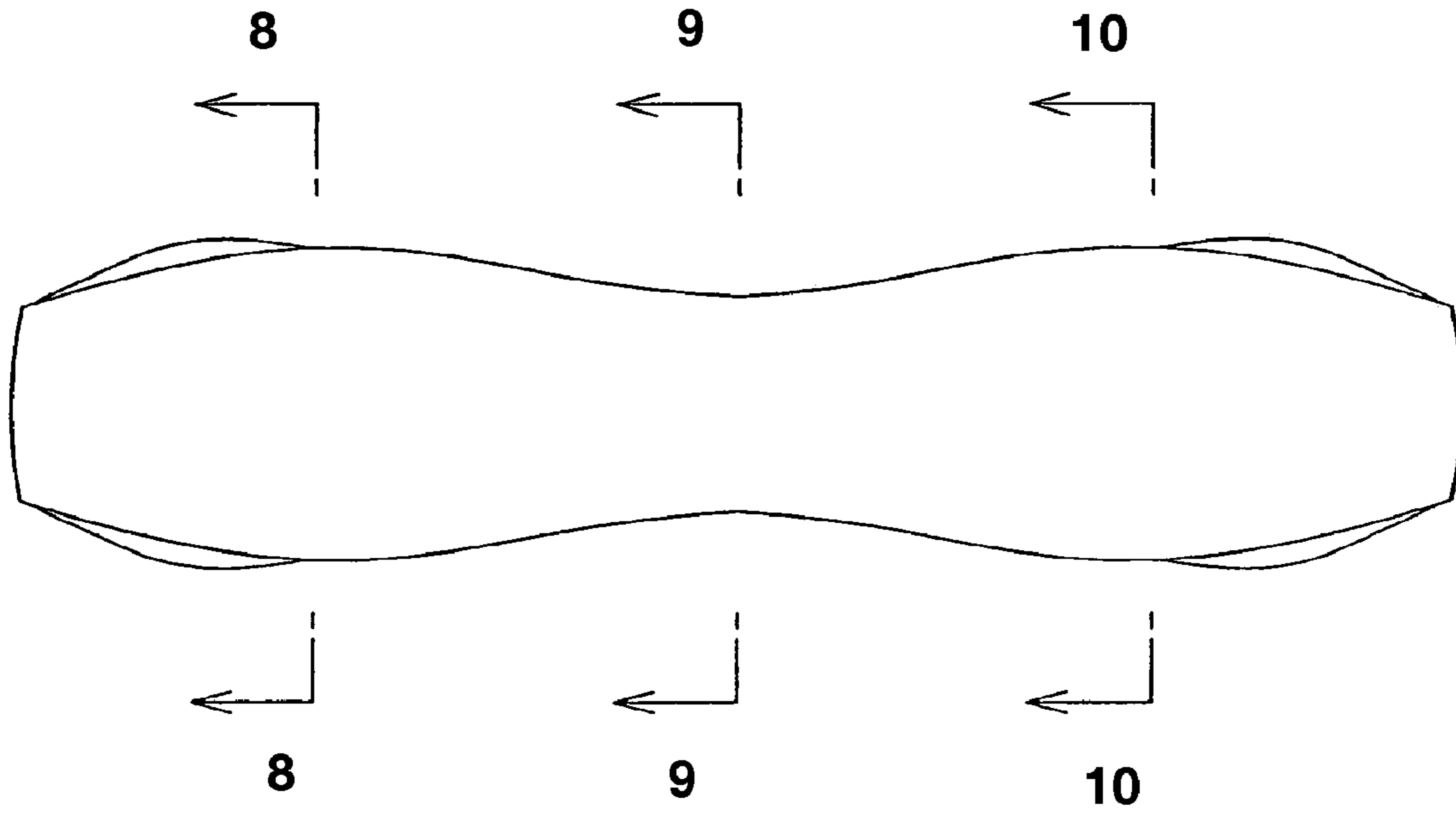


FIG. 6

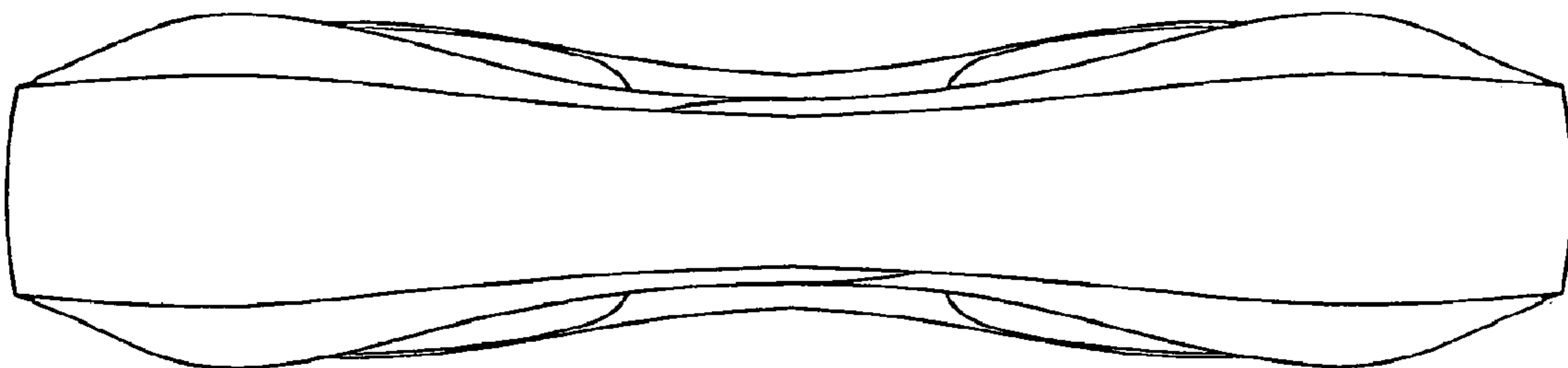


FIG. 7

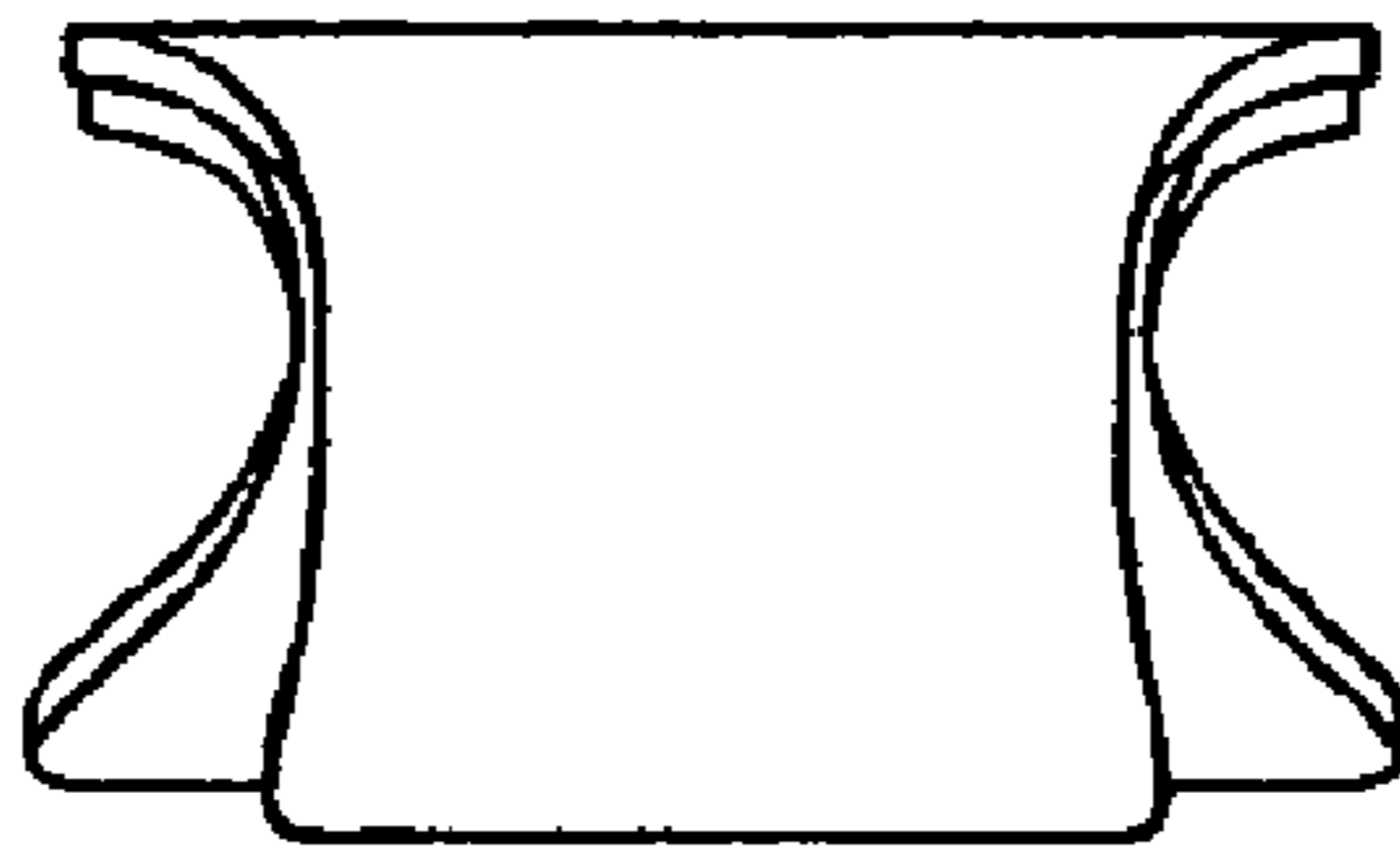


FIG. 8

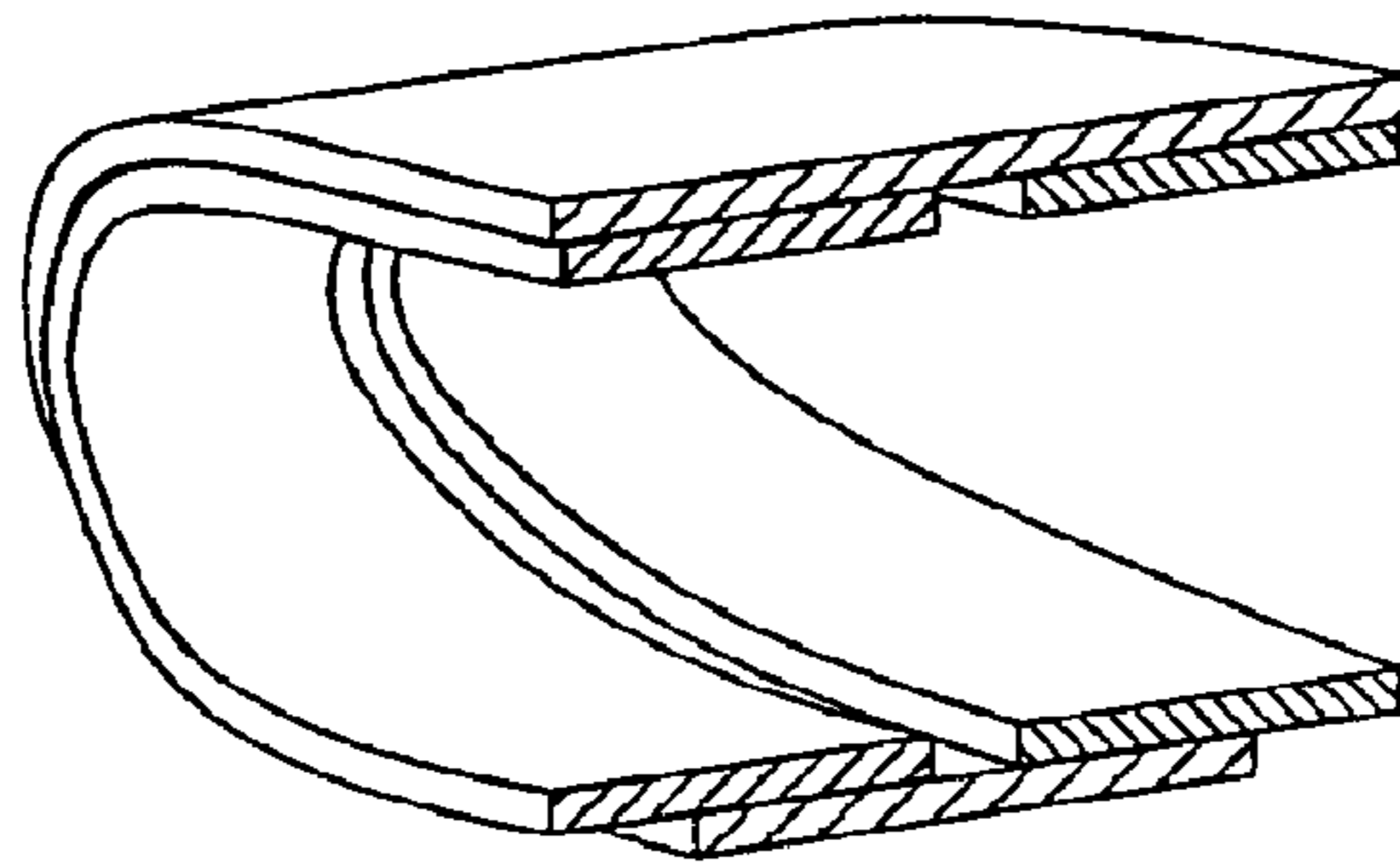


FIG. 9

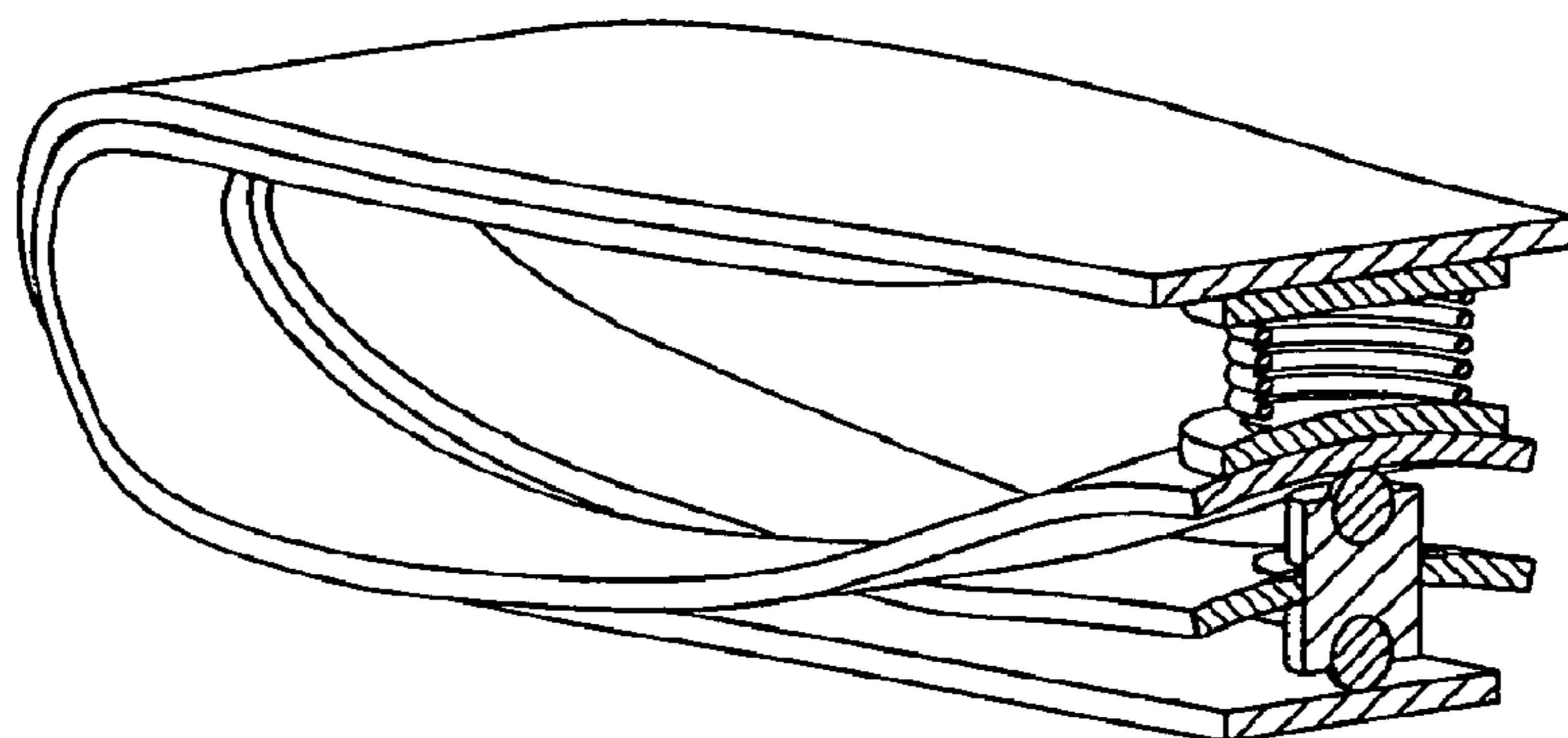


FIG. 10

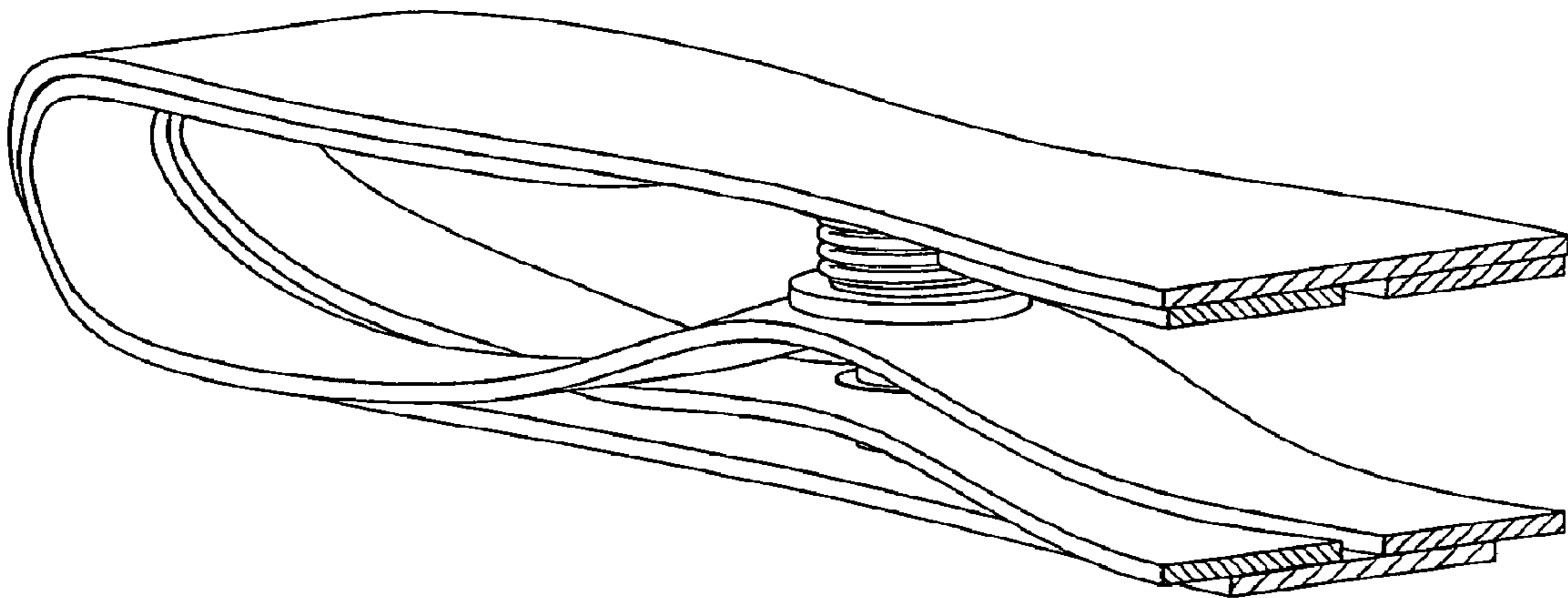


FIG. 11

