

US00D567882S

(12) **United States Design Patent**
Mann et al.

(10) **Patent No.:** **US D567,882 S**
(45) **Date of Patent:** **** Apr. 29, 2008**

(54) **SEESAW**
(75) Inventors: **Miles Mann**, Ludlow (GB); **Paul May**,
Coromandel Valley (AU)

5,387,158 A * 2/1995 Bertrand 472/117
D361,604 S * 8/1995 Stroppiana D21/413
6,379,256 B1 4/2002 Gatto
6,533,672 B1 3/2003 Keller et al.

(73) Assignee: **Tube Plastics Limited**, Worcestershire
(GB)

FOREIGN PATENT DOCUMENTS

(**) Term: **14 Years**

EP 1364691 11/2003
GB 215035 5/1924
GB DES. 2066508 * 6/1997
JP 5115617 5/1993
WO WO9532778 12/1995

(21) Appl. No.: **29/281,280**

(22) Filed: **Jun. 20, 2007**

OTHER PUBLICATIONS

(30) **Foreign Application Priority Data**

OddzOn(R) Products catalog 1995, p. 15: Koosh(R) Pogo Jumper
(TM).*

Dec. 21, 2006 (EM) 641899-0001
Dec. 21, 2006 (EM) 641899-0002

* cited by examiner

(51) **LOC (8) Cl.** **21-03**

Primary Examiner—Catherine Tuttle

(52) **U.S. Cl.** **D21/412**

(74) *Attorney, Agent, or Firm*—Price, Heneveld, Cooper,
DeWitt, & Litton, LLP

(58) **Field of Classification Search** D21/412–418,
D21/814, 828, 830; 472/4, 5, 14, 16, 106–115
See application file for complete search history.

(57) **CLAIM**

(56) **References Cited**

We claim the ornamental design for the seesaw, as shown
and described.

U.S. PATENT DOCUMENTS

DESCRIPTION

834,141 A * 10/1906 Kingsbury 446/322
1,422,766 A * 7/1922 Jordan 472/4
2,325,988 A * 8/1943 Thomas 446/173
D168,011 S * 10/1952 Wyman et al. D21/830
2,810,577 A * 10/1957 Howard 472/5
2,835,491 A * 5/1958 Meyers 472/5
D186,524 S * 11/1959 Bowers D21/830
3,107,913 A * 10/1963 Rouse 472/4
3,595,569 A 7/1971 Holte
3,758,108 A * 9/1973 Tada 472/5
4,288,071 A * 9/1981 Glickson 472/134
4,319,746 A * 3/1982 Chang 472/4
4,896,877 A 1/1990 Moomaw et al.
D312,293 S * 11/1990 Wehmeyer D21/412

FIG. 1 is an isometric view of a seesaw, showing my new
design;

FIG. 2 is a top plan view;

FIG. 3 is a front elevational view;

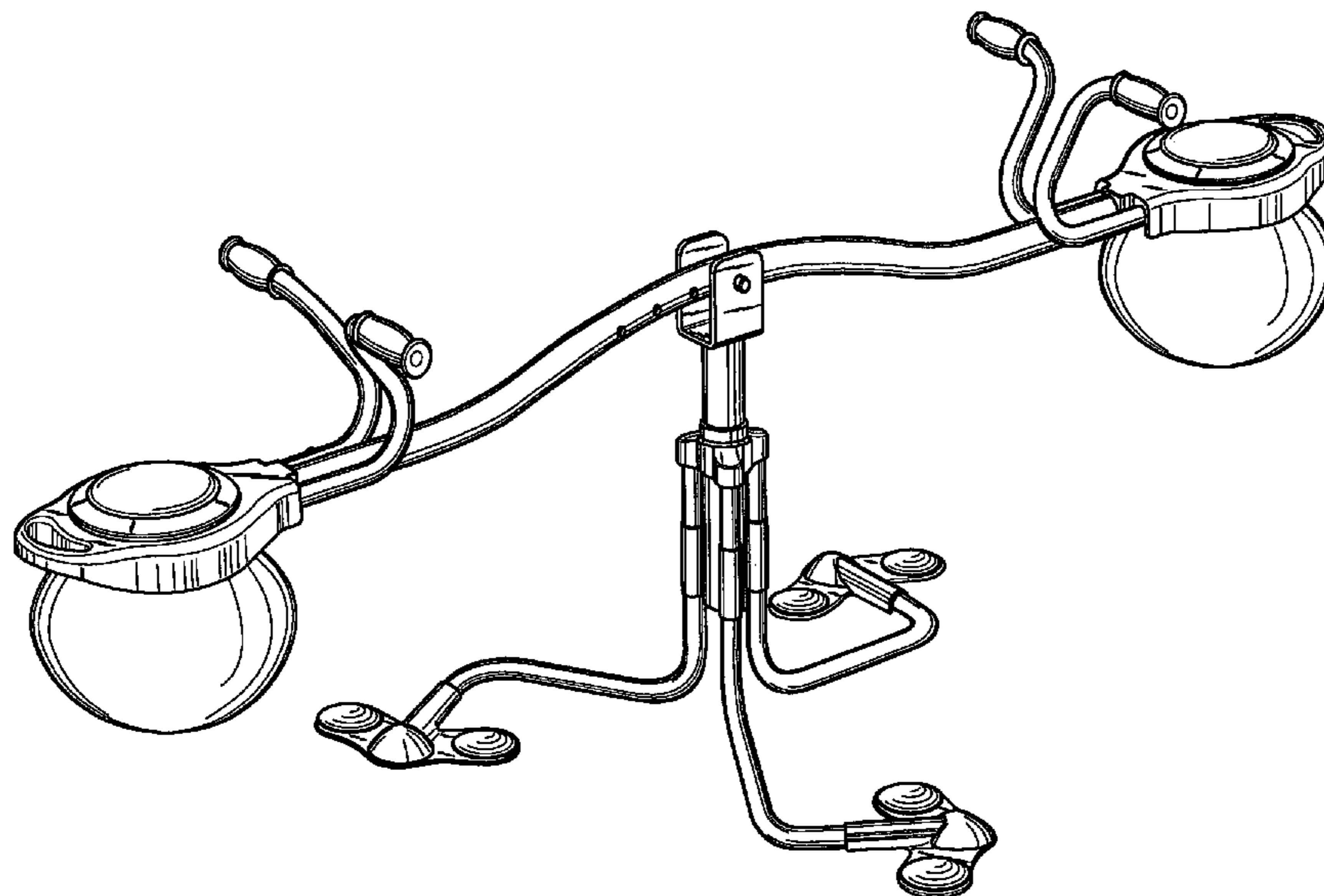
FIG. 4 is a rear elevational view;

FIG. 5 is a right-hand side elevational view;

FIG. 6 is a left-hand side elevational view; and,

FIG. 7 is a bottom plan view.

1 Claim, 7 Drawing Sheets



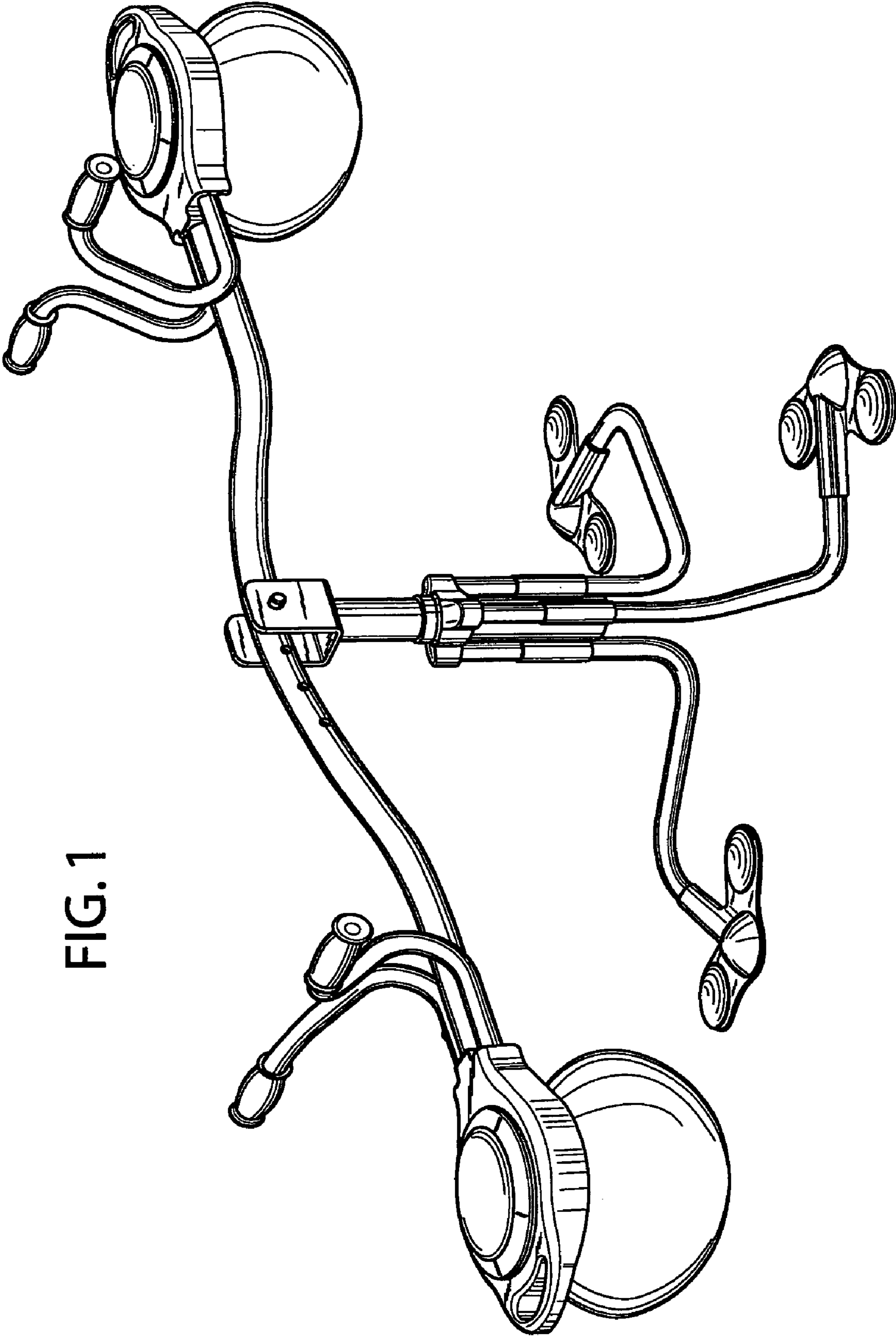


FIG. 1

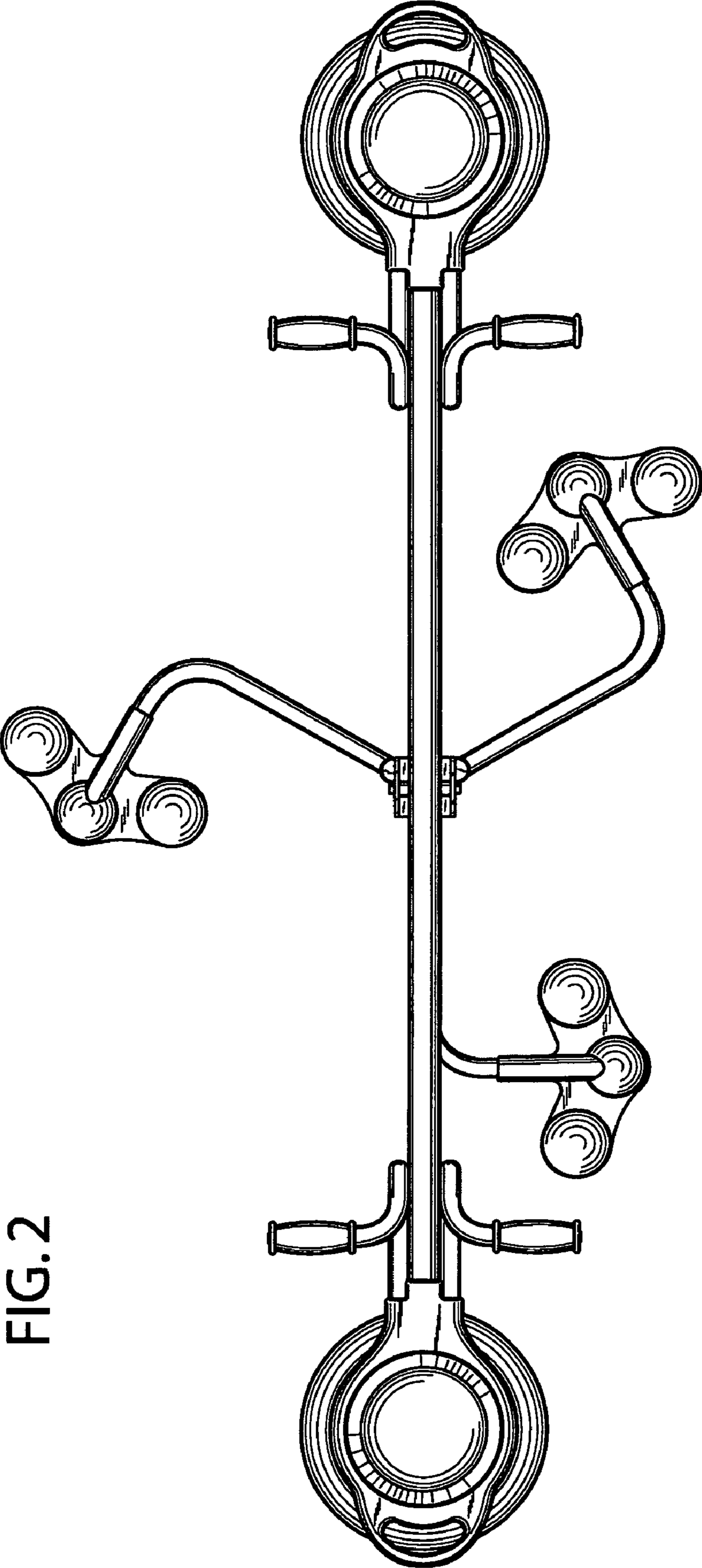


FIG. 2

FIG. 3

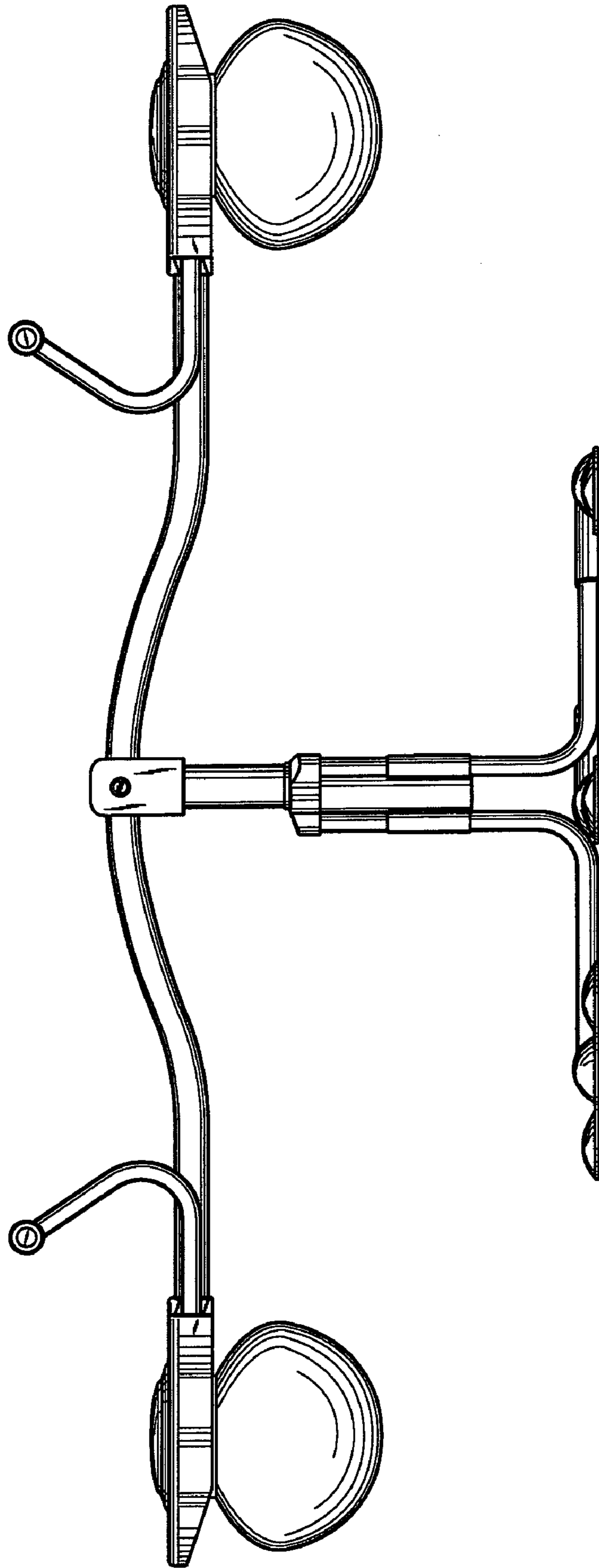
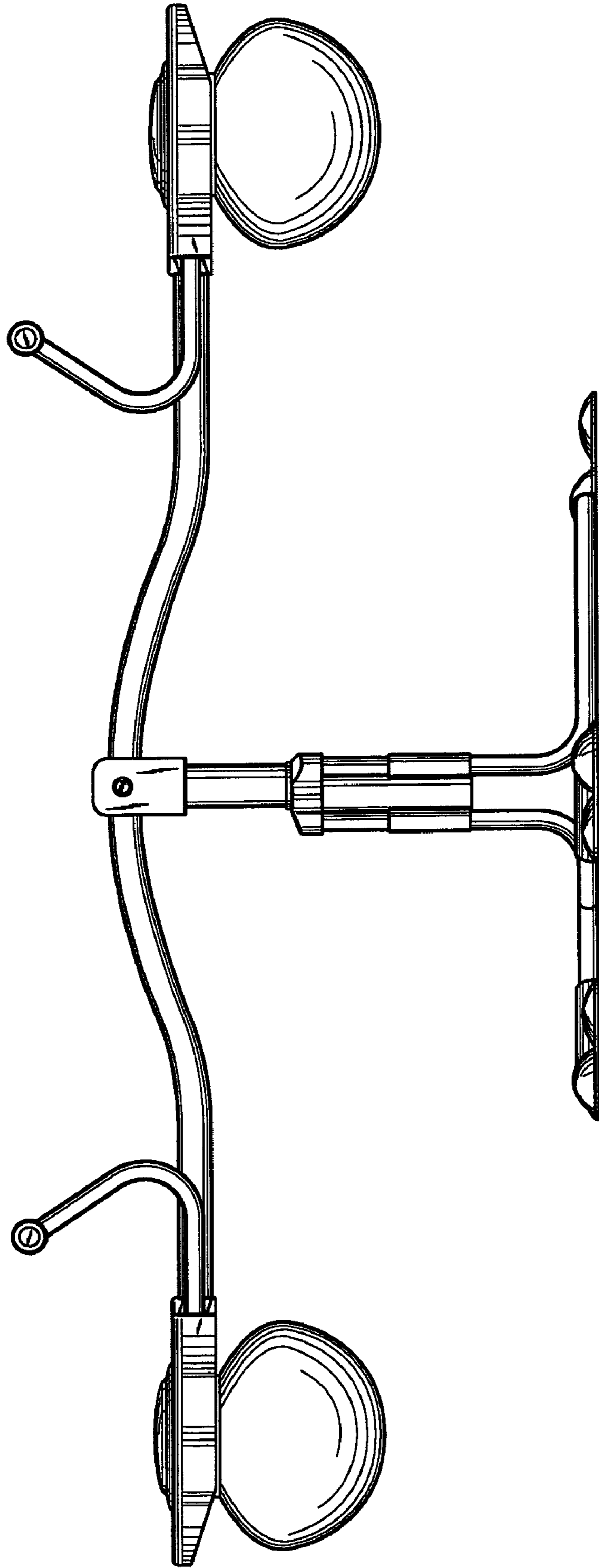


FIG. 4



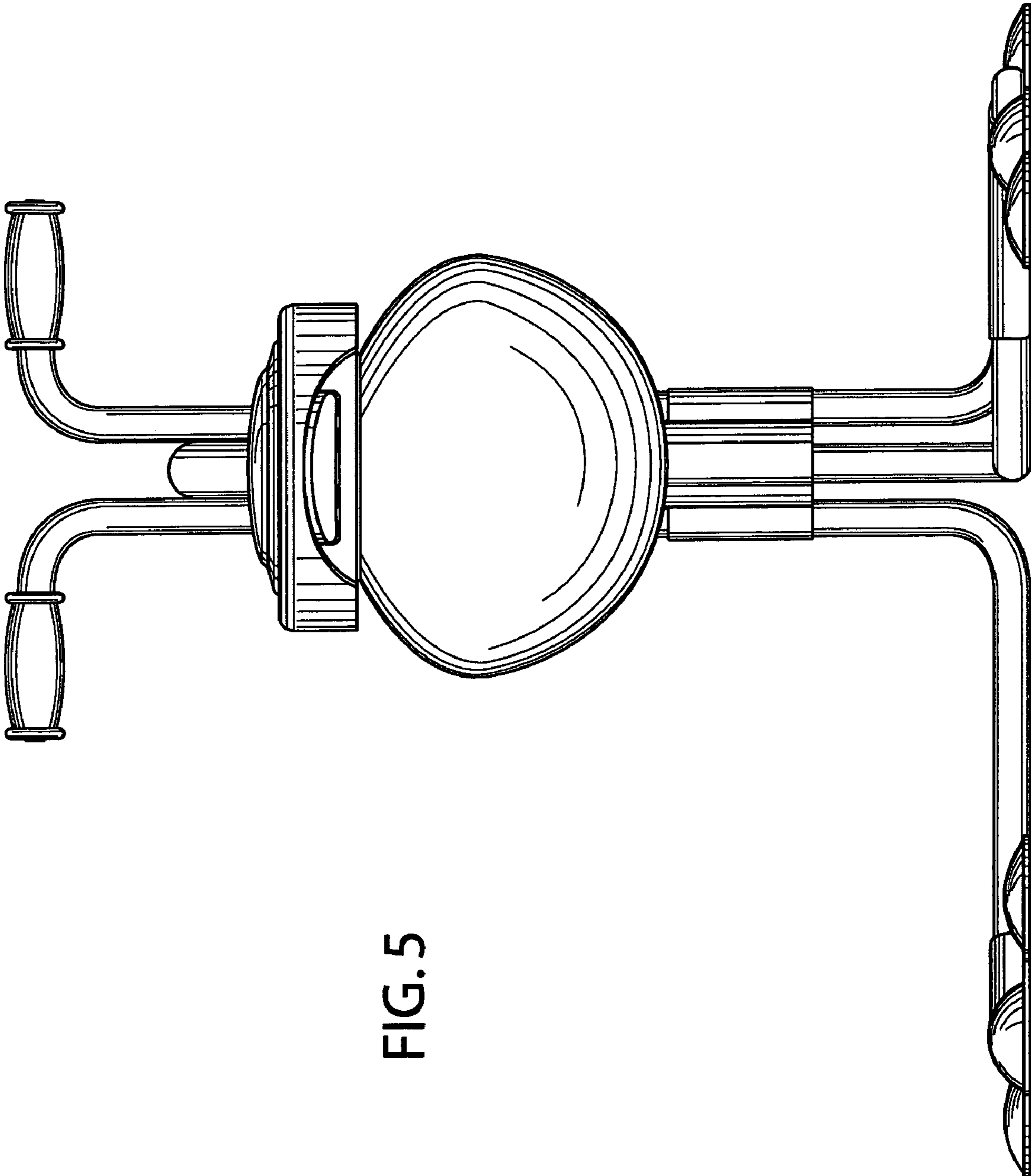
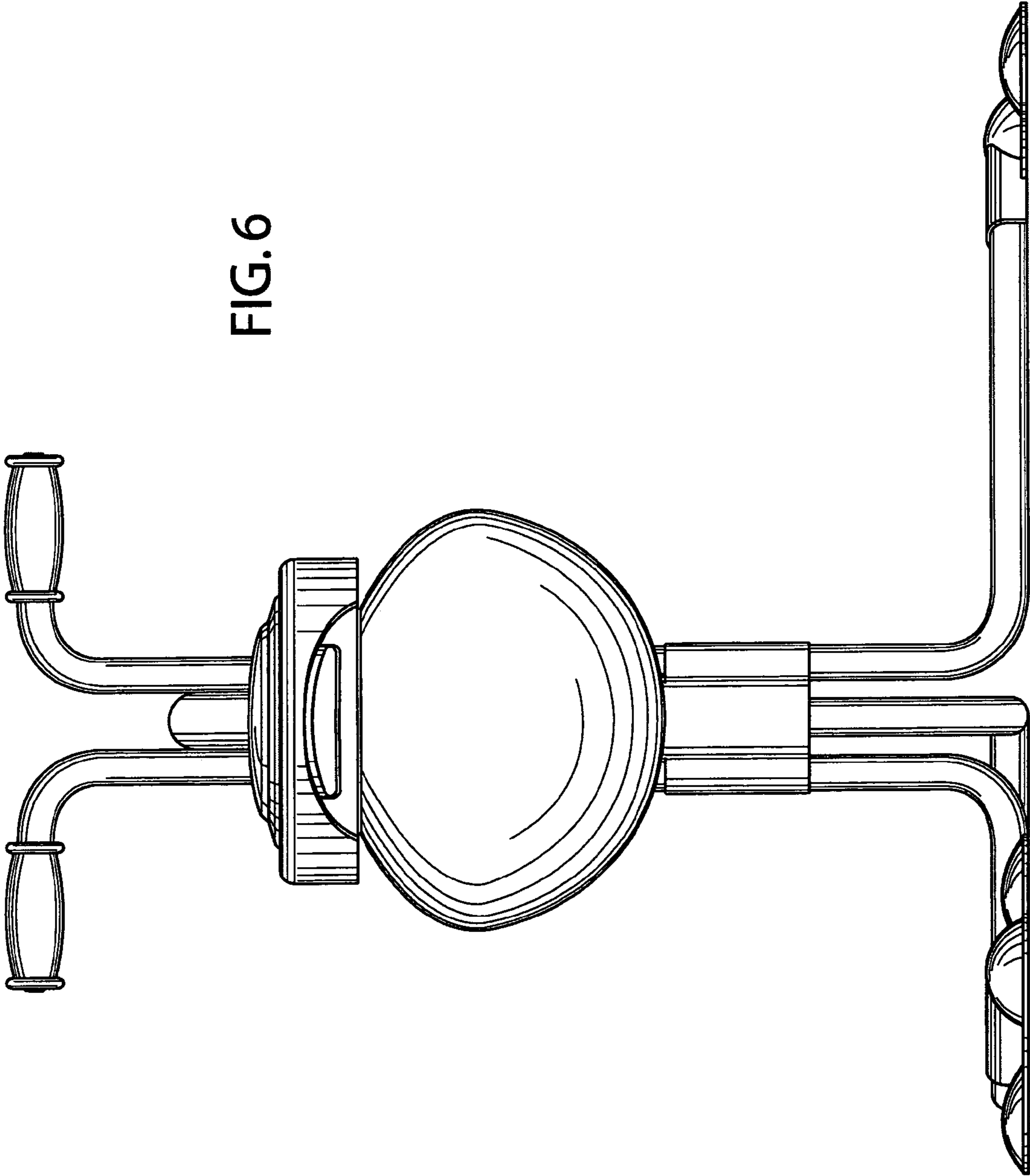


FIG. 5

FIG. 6



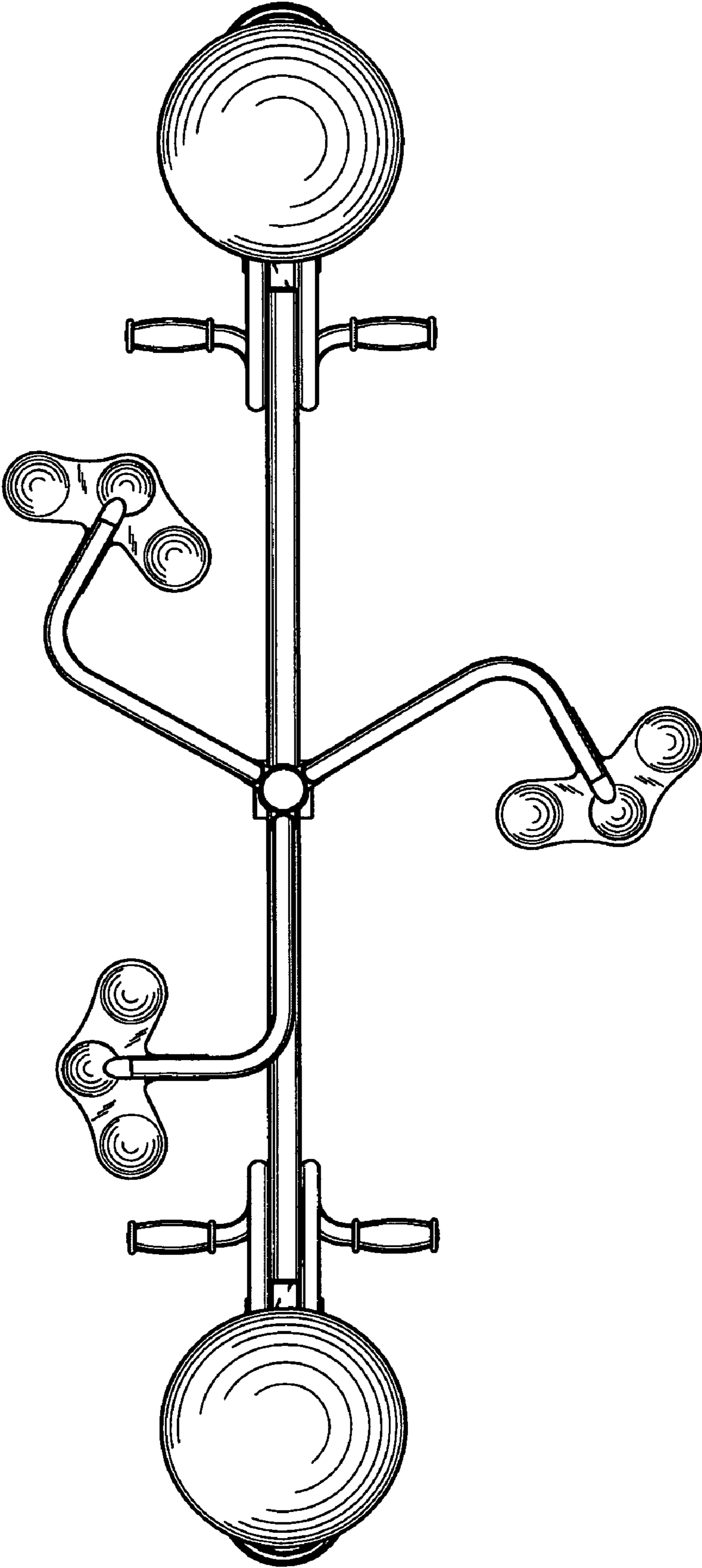


FIG. 7