



US00D567881S

(12) **United States Design Patent**
Myers

(10) **Patent No.: US D567,881 S**

(45) **Date of Patent: ** *Apr. 29, 2008**

(54) **USER INTERFACE BEZEL**

(75) Inventor: **Gordon H. Myers**, Reno, NV (US)

(73) Assignee: **Bally Gaming, Inc.**, Las Vegas, NV (US)

(*) Notice: This patent is subject to a terminal disclaimer.

(**) Term: **14 Years**

(21) Appl. No.: **29/276,262**

(22) Filed: **Jan. 19, 2007**

(51) **LOC (8) Cl.** **21-03**

(52) **U.S. Cl.** **D21/370; D21/385**

(58) **Field of Classification Search** D21/324, D21/329, 369-370, 385; D10/50, 103; D14/257-258, D14/383, 385, 386, 388, 443; D20/1-2, D20/8-9; D99/28; 194/206; 273/138.1, 273/309; 463/11-13, 25-26, 46-47
See application file for complete search history.

(56) **References Cited**

U.S. PATENT DOCUMENTS

D344,684 S *	3/1994	Metz et al.	D10/103
D415,165 S *	10/1999	Tokiyama et al.	D14/258
D417,145 S *	11/1999	McLaughlin	D21/369
6,227,970 B1 *	5/2001	Shimizu et al.	463/20

D455,742 S *	4/2002	Kiai	D14/257
D488,280 S *	4/2004	Zerman et al.	D99/28
D488,839 S *	4/2004	Bristol et al.	D21/369
D495,373 S *	8/2004	Bristol et al.	D21/369
D505,530 S *	5/2005	Nelson et al.	D99/28
D515,144 S *	2/2006	Boyd	D21/369
D519,570 S *	4/2006	Amaitis et al.	D21/370
D542,807 S *	5/2007	Long et al.	D14/257
2003/0220135 A1 *	11/2003	Gauselmann	463/25
2004/0214628 A1 *	10/2004	Boyd et al.	463/20
2005/0153773 A1 *	7/2005	Nguyen et al.	463/25

* cited by examiner

Primary Examiner—Sandra L. Morris

(74) *Attorney, Agent, or Firm*—J. P. Cody, Esq.

(57) **CLAIM**

The ornamental design for a user interface bezel, as shown and described.

DESCRIPTION

FIG. 1 is a perspective view of a user interface bezel, showing my new design;

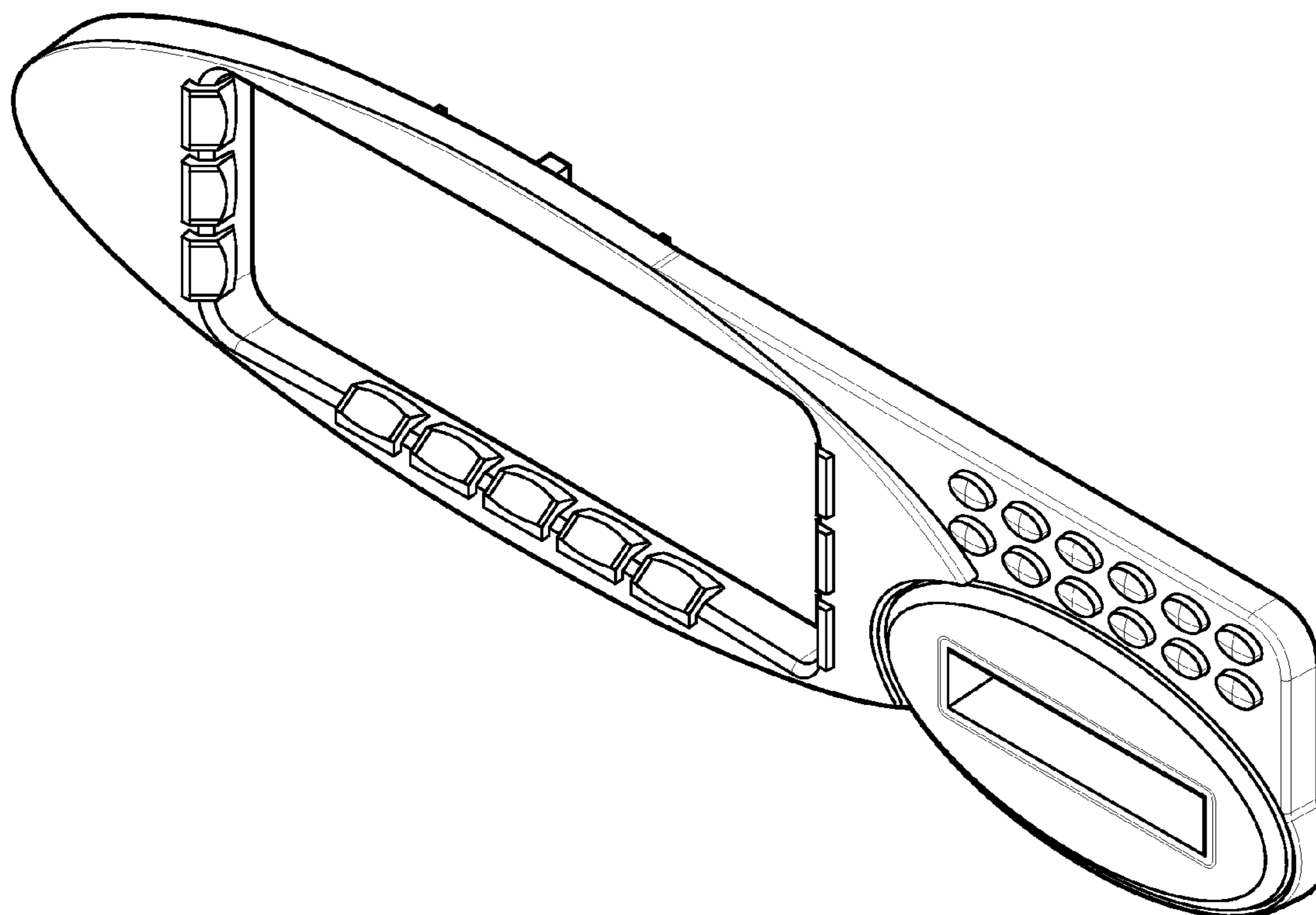
FIG. 2 is a top view thereof;

FIG. 3 is a front elevational view thereof;

FIG. 4 is a right side elevational view thereof; and,

FIG. 5 is a rear elevational view thereof.

1 Claim, 3 Drawing Sheets



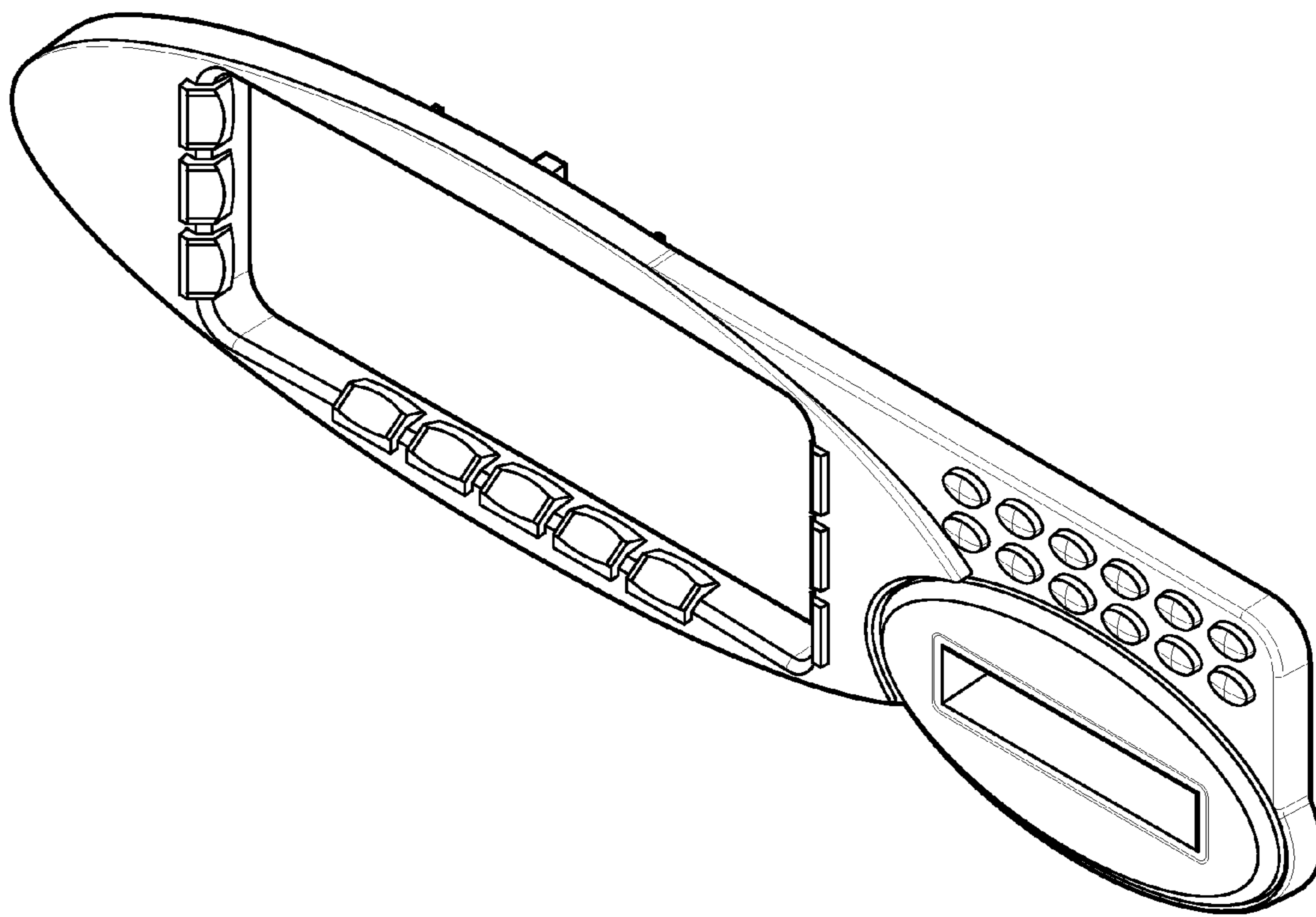


FIG.1

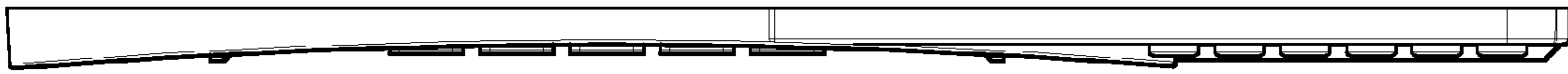


FIG. 2

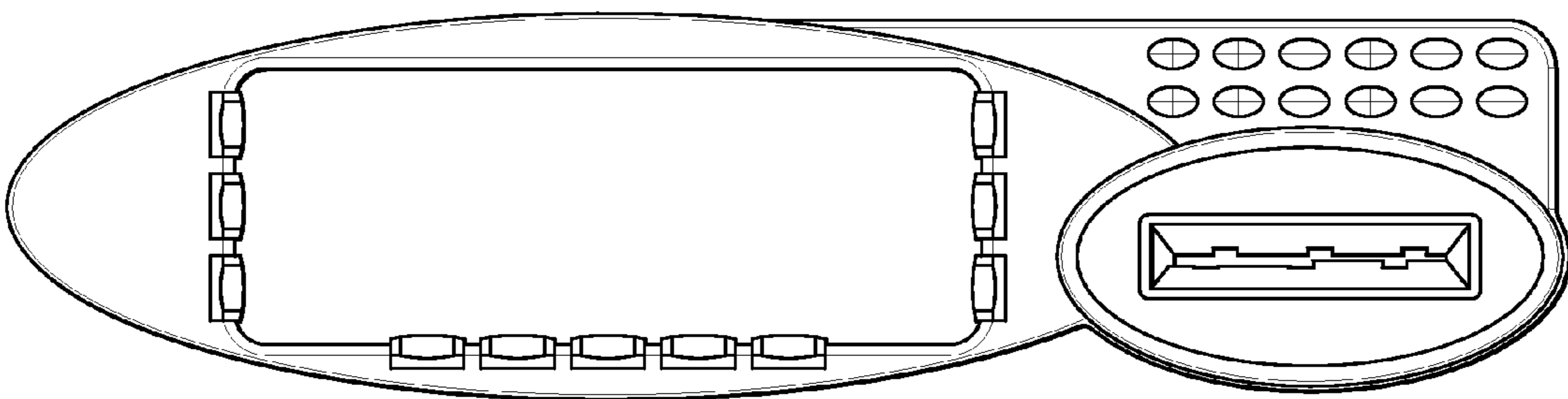


FIG. 3

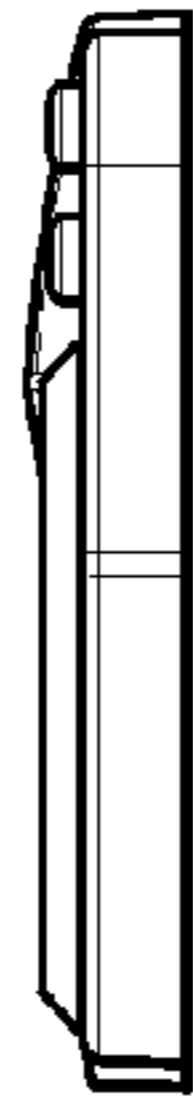


FIG. 4

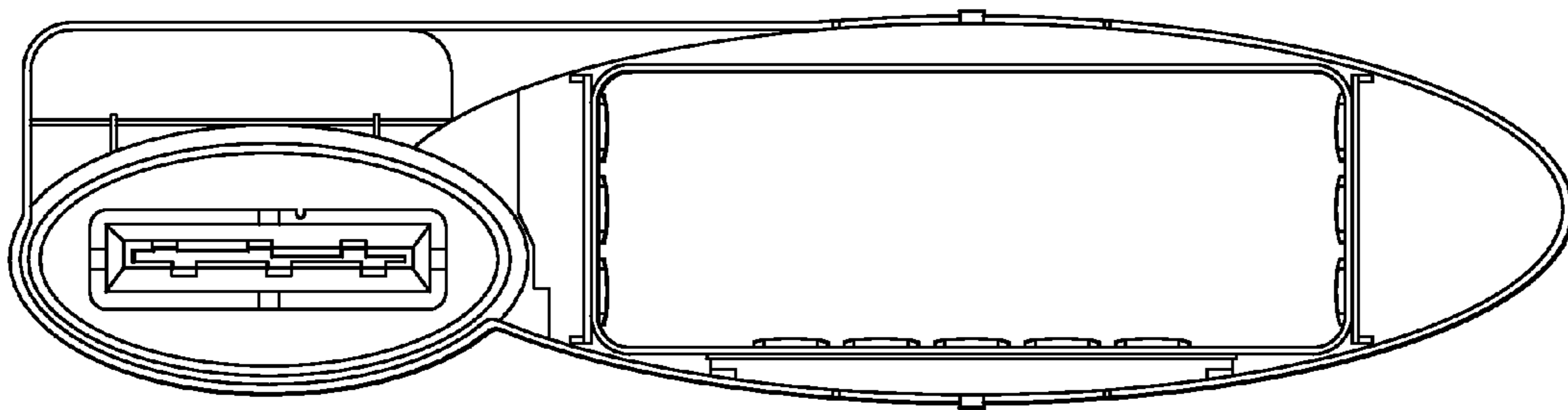


FIG. 5