



US00D567878S

(12) **United States Design Patent**  
**Tollis et al.**

(10) **Patent No.:** **US D567,878 S**  
(45) **Date of Patent:** **\*\* Apr. 29, 2008**

(54) **CONSTRUCTION PERMIT STORAGE  
DEVICE**

7,055,272 B2\* 6/2006 Tollis ..... 40/611.07  
2005/0235537 A1\* 10/2005 Lee et al. .... 40/607.03

(75) Inventors: **David R. Tollis**, 6416 Orchard Oriole  
La., Bradenton, FL (US) 34202; **Lisa  
Fitzgerald**, Sarasota, FL (US)

\* cited by examiner

*Primary Examiner*—Caron D. Veynar  
*Assistant Examiner*—Mary Ann Calabrese

(73) Assignee: **David R. Tollis**, Bradentown, FL (US)

(74) *Attorney, Agent, or Firm*—Charles J. Prescott

(\*\*) Term: **14 Years**

(57) **CLAIM**

(21) Appl. No.: **29/264,595**

The ornamental design for a construction permit storage  
device, as shown and described.

(22) Filed: **Aug. 14, 2006**

**DESCRIPTION**

(51) **LOC (8) Cl.** ..... **20-02**

(52) **U.S. Cl.** ..... **D20/41**

(58) **Field of Classification Search** ..... D20/10,  
D20/17, 19, 38, 41–43, 99, 109; 40/124.5,  
40/462.02, 307.3–307.6, 584, 585, 611.03,  
40/611.06, 611.07, 643, 649, 653; 312/100–102;  
211/50; D6/300, 559; D21/794

See application file for complete search history.

FIG. 1 is a front elevation view of a construction permit  
storage device showing my new design;

FIG. 2 is a rear elevation view thereof;

FIG. 3 is a frontal right perspective view thereof;

FIG. 4 is a reduced scale frontal left perspective view  
thereof;

FIG. 5 is an enlarged fragmentary view of FIG. 4;

FIG. 6 is an enlarged rear perspective fragmentary view  
thereof;

FIG. 7 is a top plan view thereof;

FIG. 8 is a bottom plan view thereof;

FIG. 9 is a reduced scale perspective view of FIG. 3 showing  
my invention in an alternate open position;

FIG. 10 is an enlarged fragmentary view of FIG. 9; and,

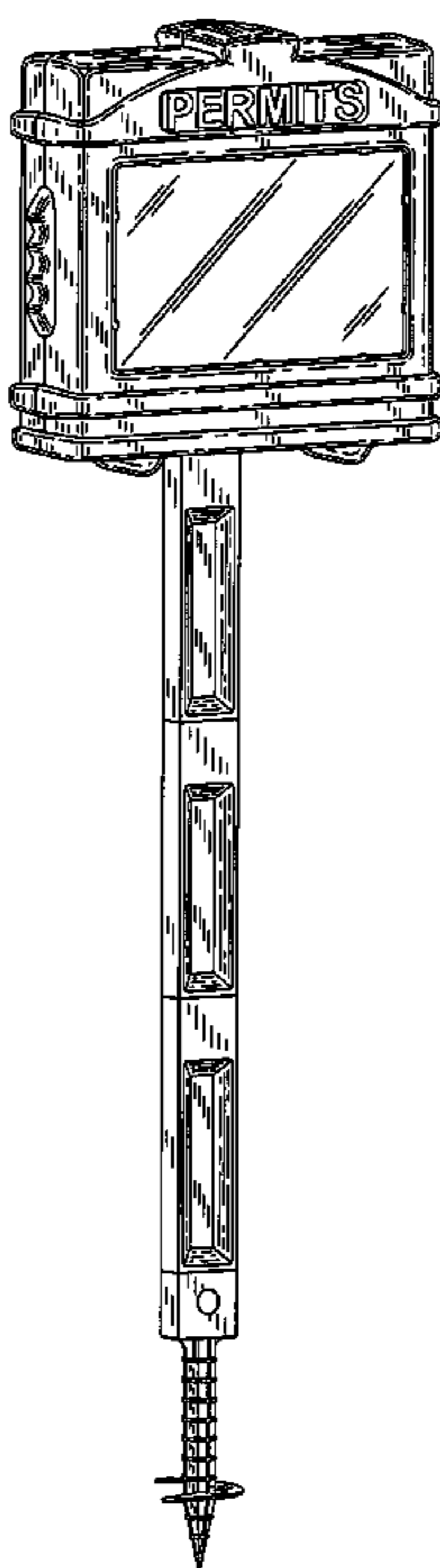
FIG. 11 is a rear perspective fragmentary view of FIG. 10.

(56) **References Cited**

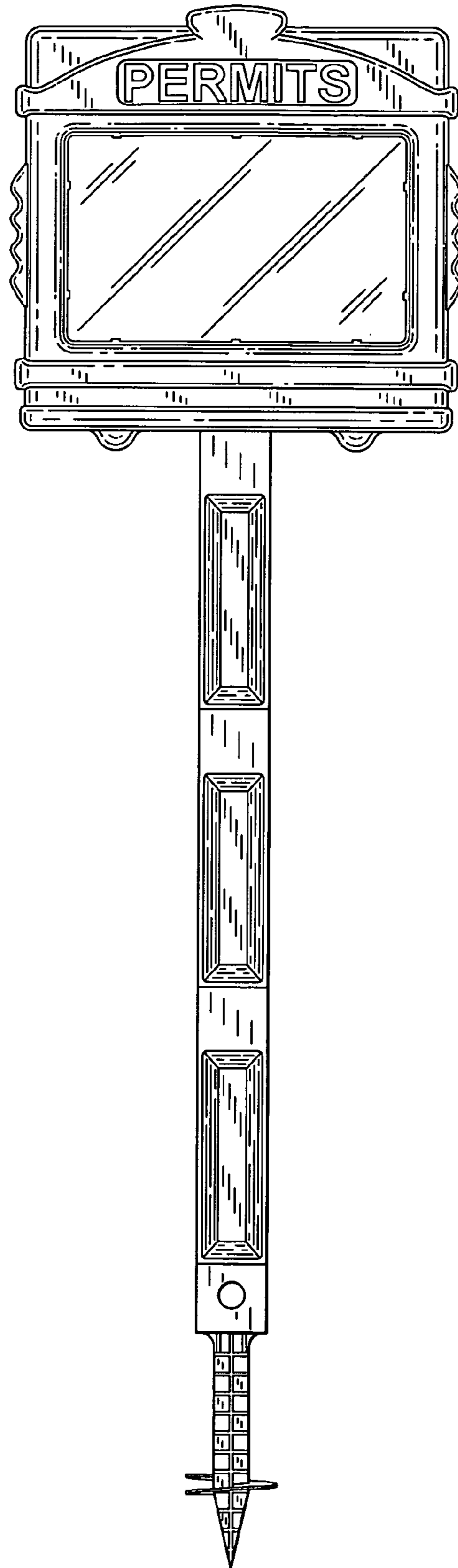
**U.S. PATENT DOCUMENTS**

|           |      |         |            |       |           |
|-----------|------|---------|------------|-------|-----------|
| 2,315,158 | A *  | 3/1943  | Markham    | ..... | 312/100   |
| 2,759,281 | A *  | 8/1956  | Akers, Jr. | ..... | 40/653    |
| D237,994  | S *  | 12/1975 | Davis      | ..... | D20/43    |
| D320,831  | S *  | 10/1991 | Stephens   | ..... | D21/794   |
| 5,664,851 | A *  | 9/1997  | Dunn       | ..... | 312/102   |
| D399,446  | S *  | 10/1998 | Stillwell  | ..... | D10/109   |
| D410,036  | S *  | 5/1999  | Washington | ..... | D20/41    |
| 6,012,786 | A *  | 1/2000  | Dunn       | ..... | 312/100   |
| D430,216  | S *  | 8/2000  | Dunn       | ..... | D20/10    |
| 6,618,974 | B2 * | 9/2003  | Szalay     | ..... | 40/611.06 |

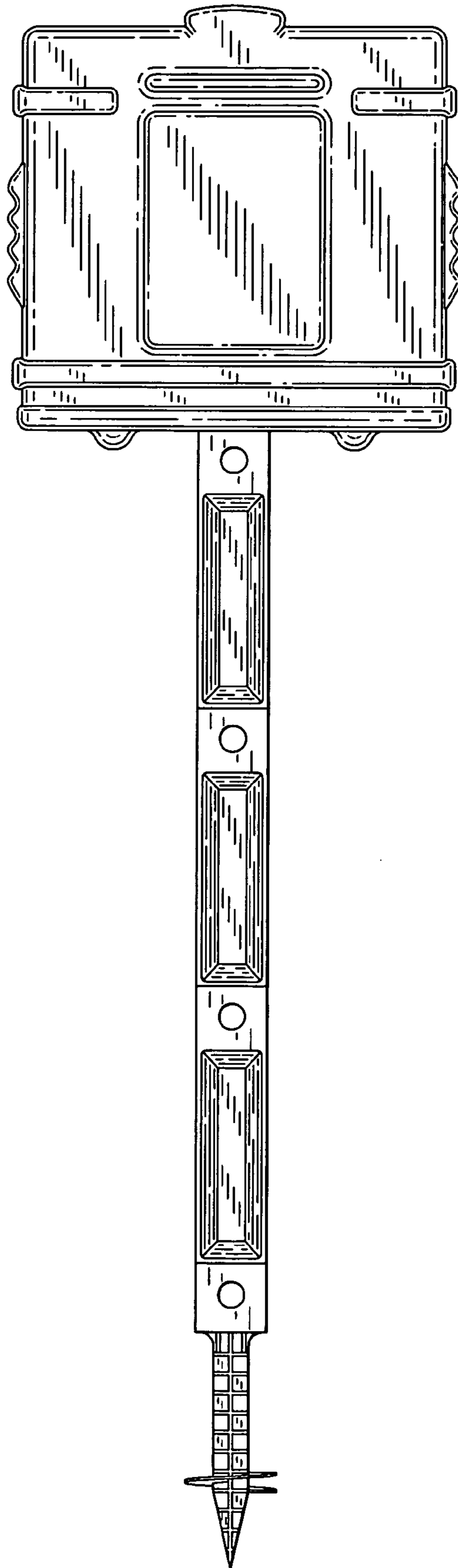
**1 Claim, 10 Drawing Sheets**



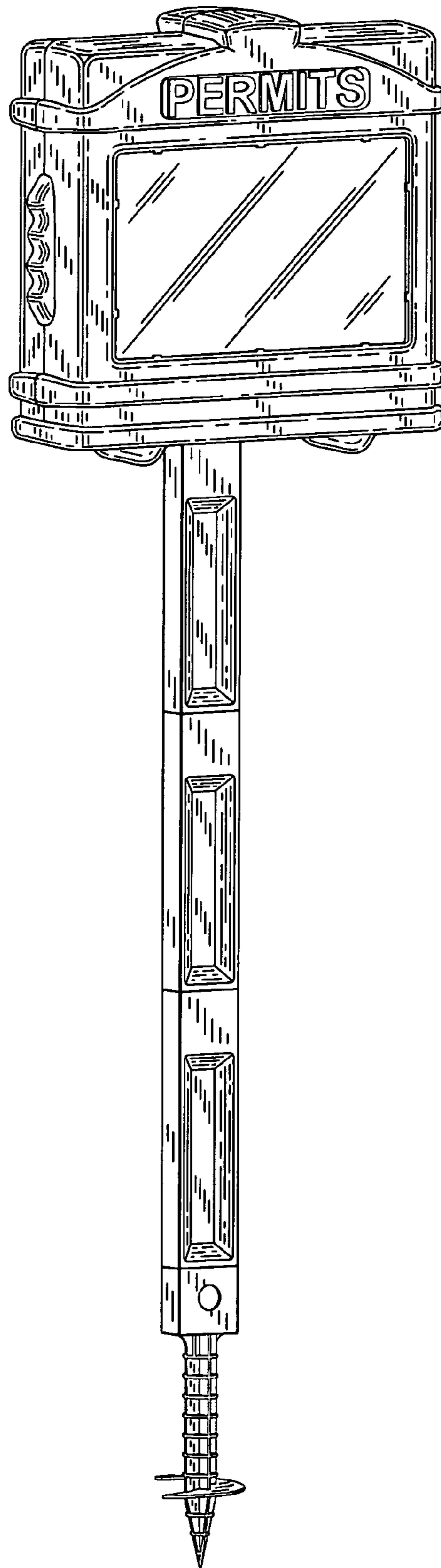
**FIG. 1**



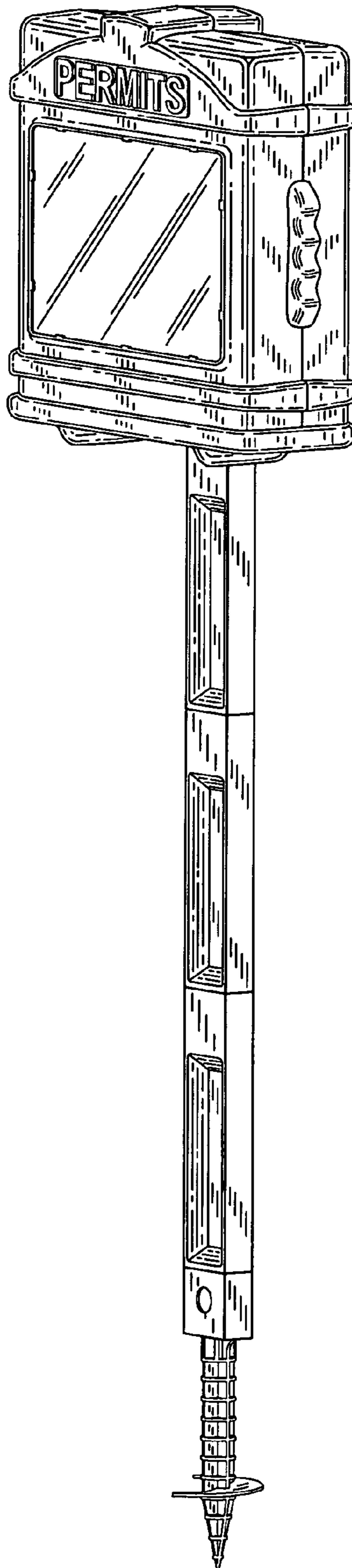
**FIG. 2**



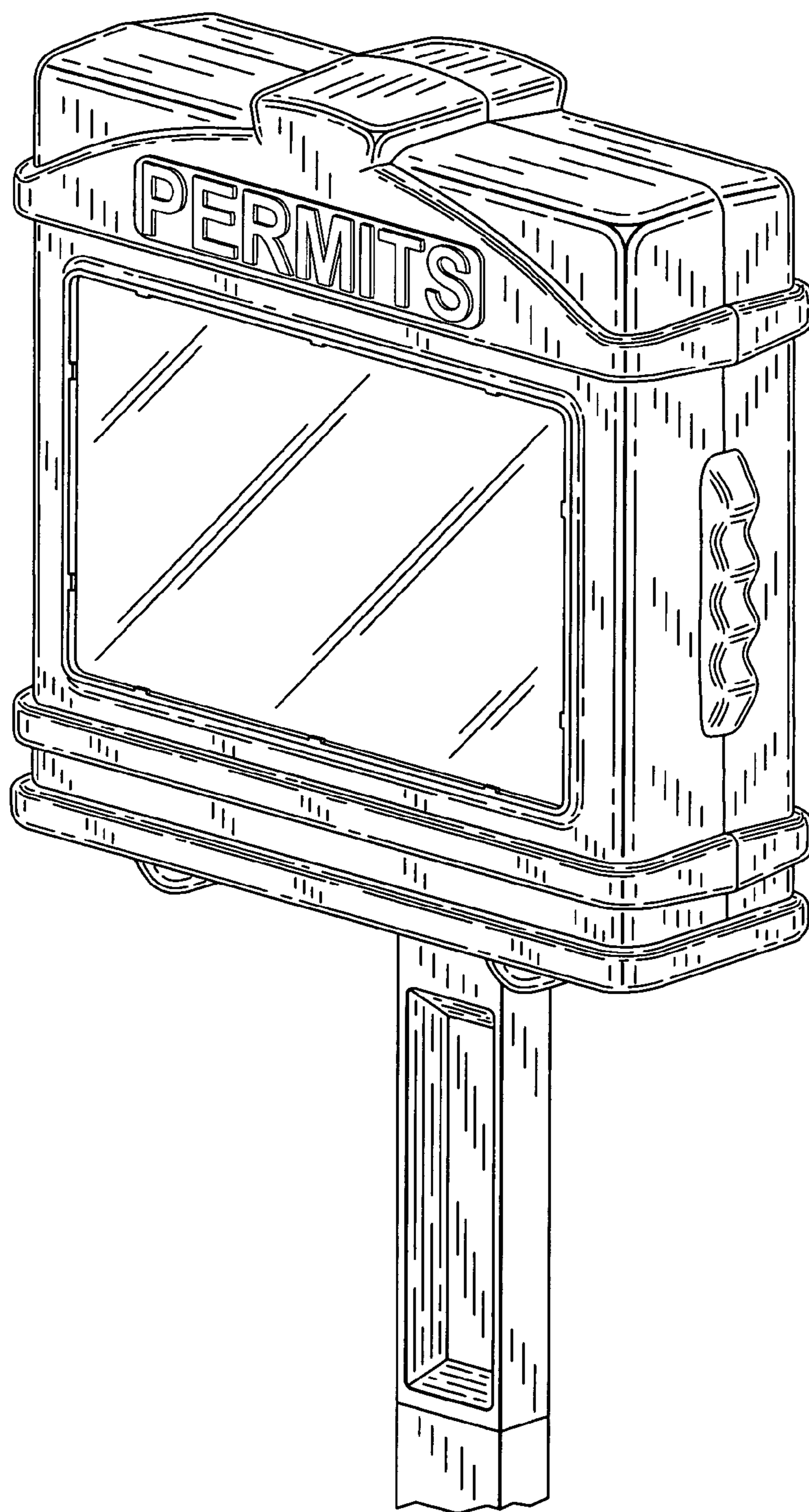
**FIG. 3**



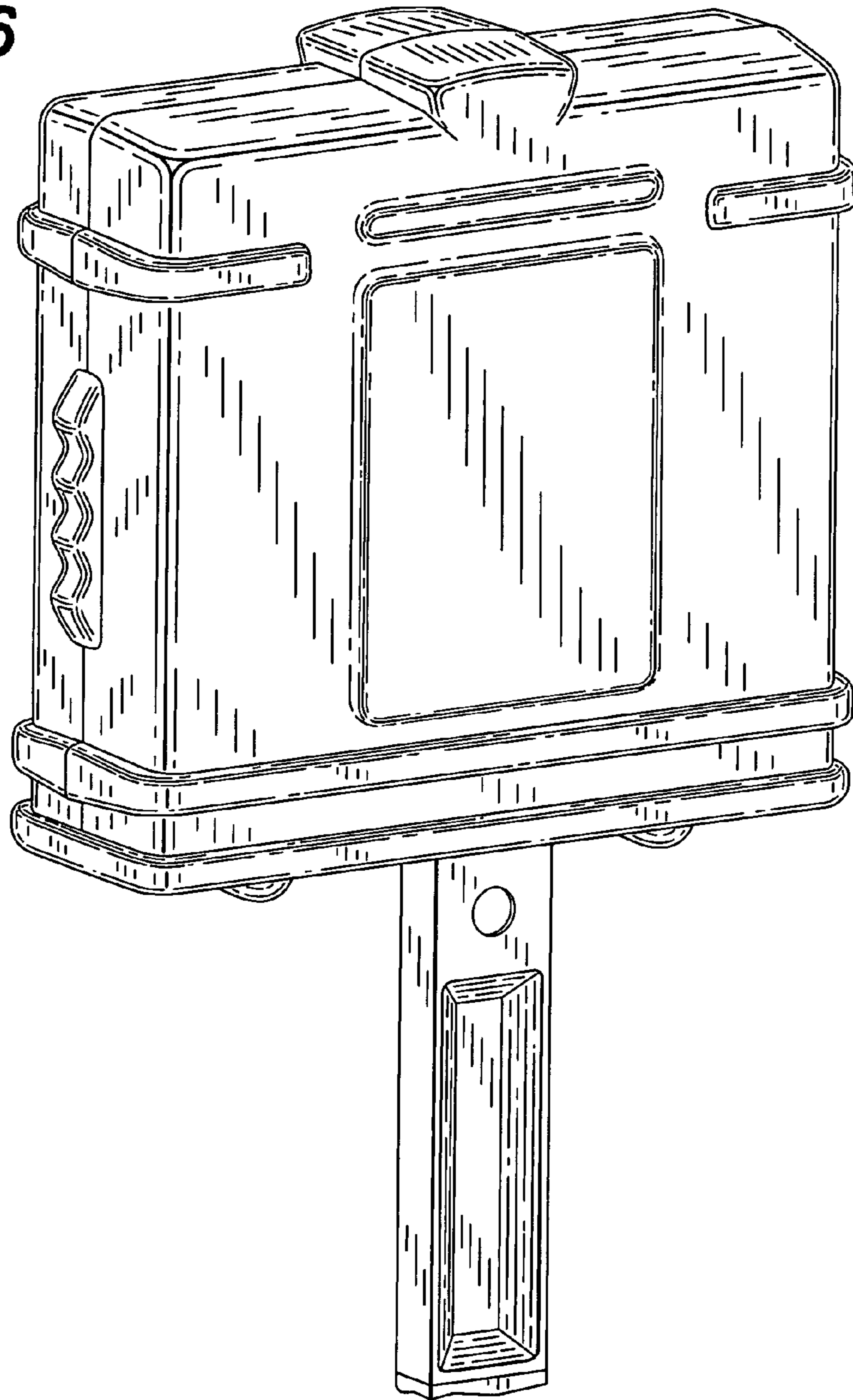
**FIG. 4**



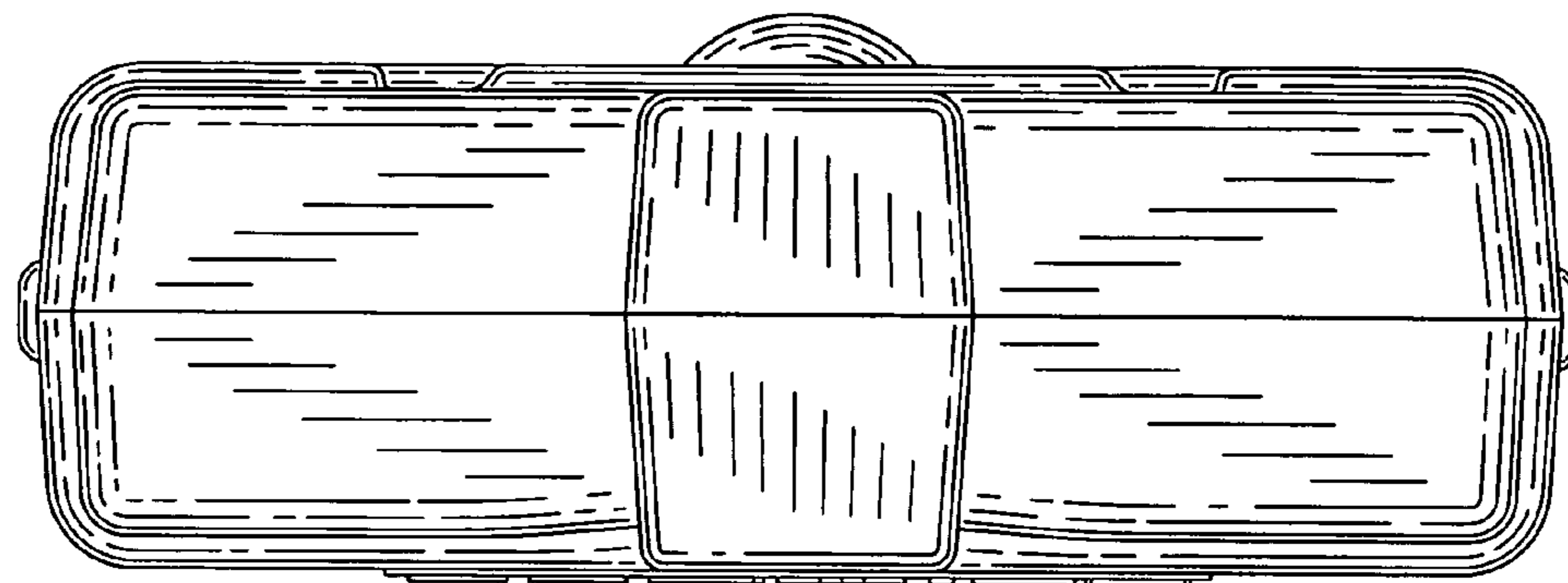
**FIG. 5**



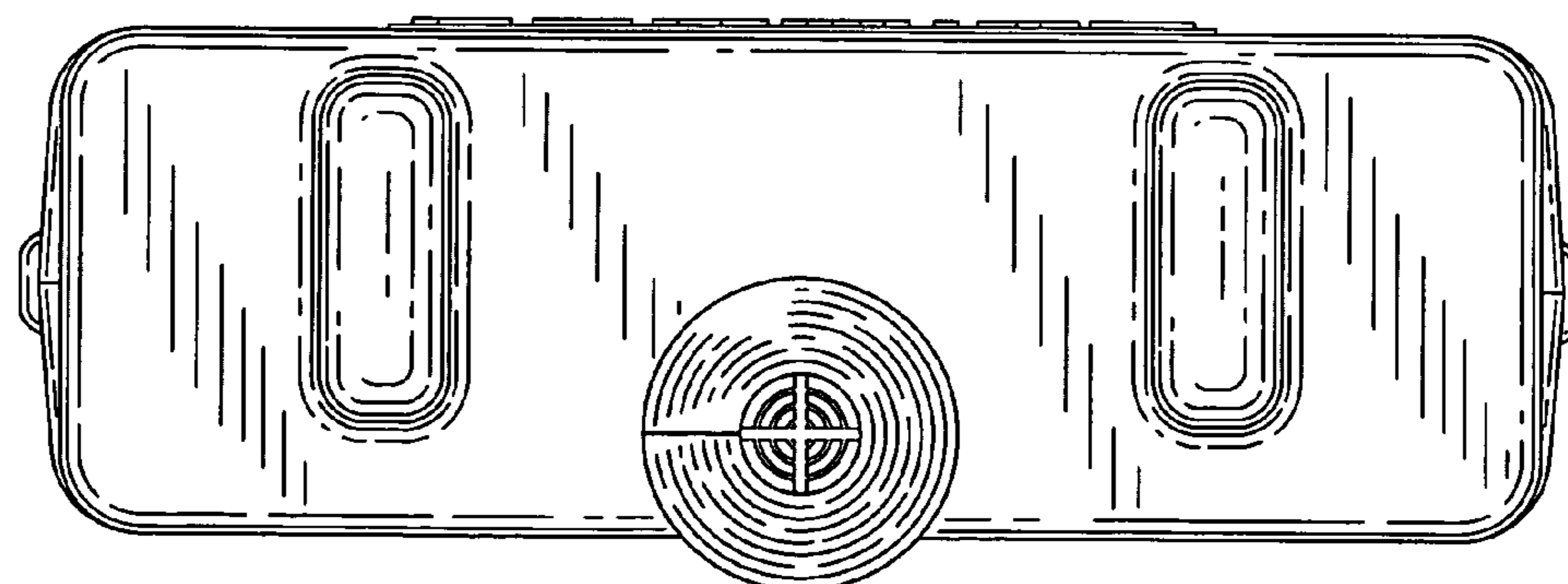
**FIG. 6**



**FIG. 7**

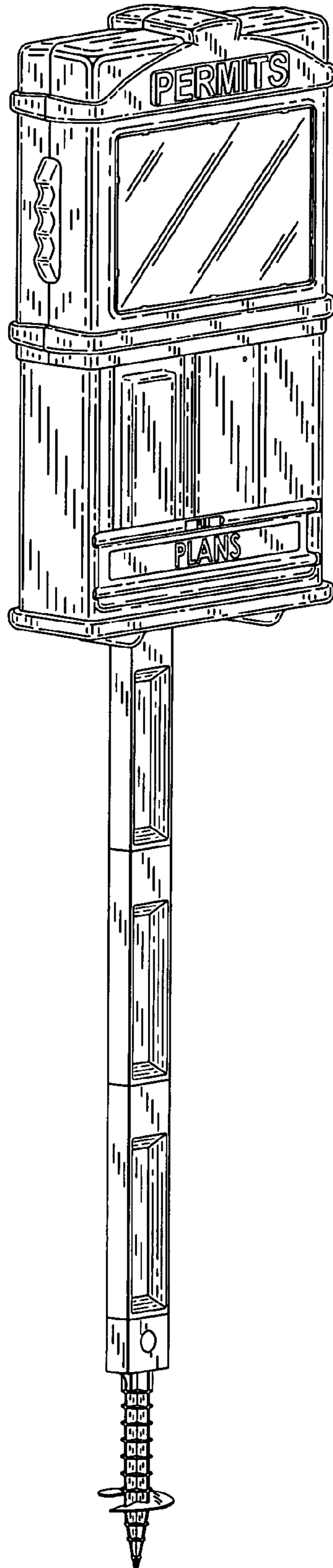


**FIG. 8**

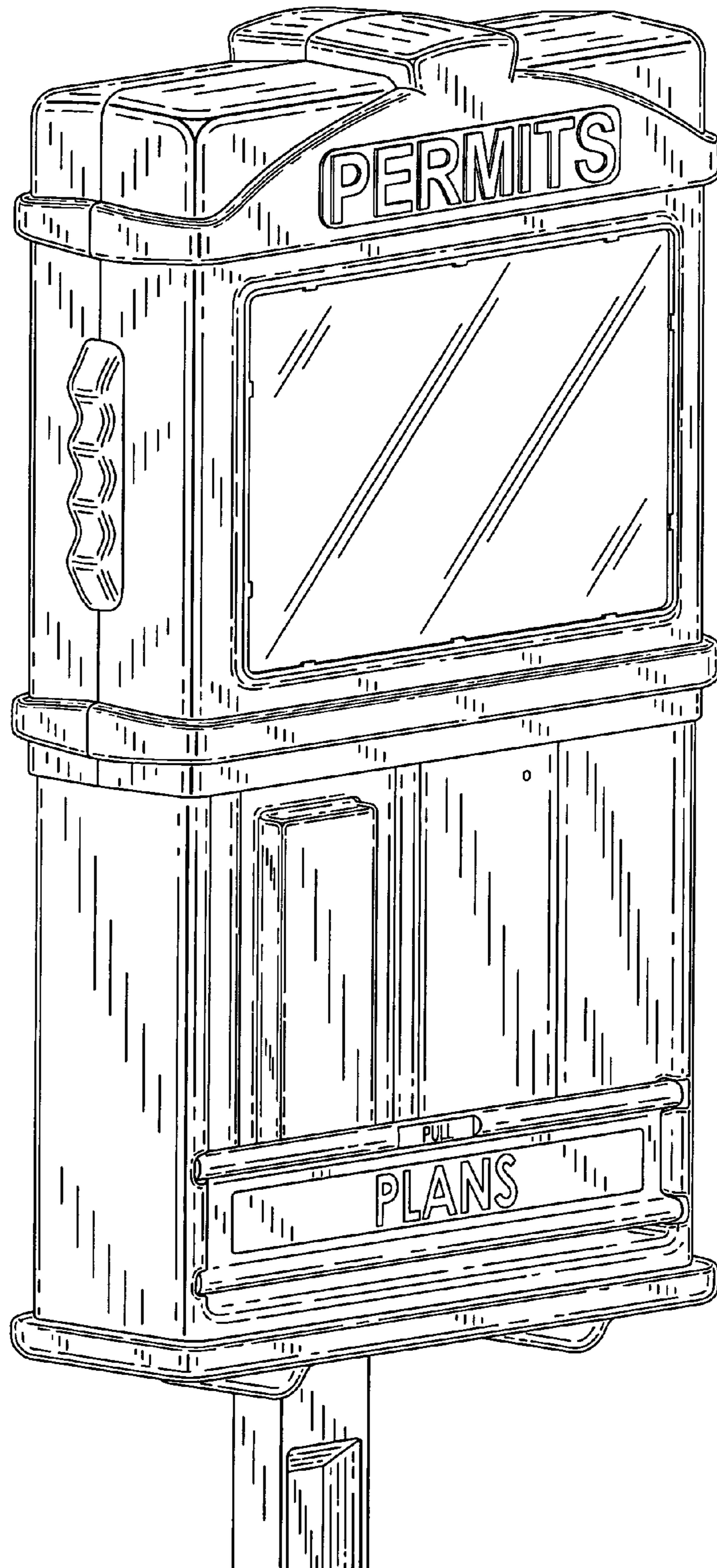




**FIG. 9**



**FIG. 10**



**FIG. 11**

