



US00D567874S

(12) **United States Design Patent**
Stead

(10) **Patent No.:** **US D567,874 S**

(45) **Date of Patent:** **** Apr. 29, 2008**

(54) **ADVERTISING DEVICE**

(75) Inventor: **Paul Stead**, London (GB)

(73) Assignee: **Streetbroadcast, Ltd.**, Coventry (GB)

(**) Term: **14 Years**

(21) Appl. No.: **29/278,997**

(22) Filed: **Apr. 17, 2007**

(30) **Foreign Application Priority Data**

Oct. 17, 2006 (EM) 607452/0001-0006

(51) **LOC (8) Cl.** **20-02**

(52) **U.S. Cl.** **D20/10**

(58) **Field of Classification Search** D20/10,
D20/17, 19, 21, 41, 43, 99; 40/1, 124.01,
40/124.16, 538-540, 603-605, 606.01, 606.03,
40/606.05, 606.08, 606.11, 606.12, 606.16,
40/606.19, 607.1, 611.01, 611.06, 611.07,
40/611.1, 618, 620; 283/56, 81; 211/85.31,
211/107; D19/86; D16/130; D6/414; 223/68;
220/628; D26/105, 128

See application file for complete search history.

(56) **References Cited**

U.S. PATENT DOCUMENTS

2,217,514 A * 10/1940 Henry 220/628
2,509,397 A * 5/1950 Paige 40/539
2,879,928 A * 3/1959 Stoddard 223/68
D195,569 S * 7/1963 Gleitsman D6/414
D312,262 S * 11/1990 Allon D16/130

5,833,080 A * 11/1998 Donne 211/85.31
D404,072 S * 1/1999 Ford et al. D19/86
D417,894 S * 12/1999 Herbst D20/41
D467,976 S * 12/2002 Herbst D20/41
D509,317 S * 9/2005 Orfield et al. D26/128

* cited by examiner

Primary Examiner—Caron D. Veynar

Assistant Examiner—Mary Ann Calabrese

(74) *Attorney, Agent, or Firm*—Luedeka, Neely & Graham,
PC

(57) **CLAIM**

The ornamental design for an advertising device, as shown.

DESCRIPTION

FIG. 1 is a front perspective view of the advertising device of my new design;

FIG. 2 is a right side view of the advertising device of my new design;

FIG. 3 is a left side view of the advertising device of my new design;

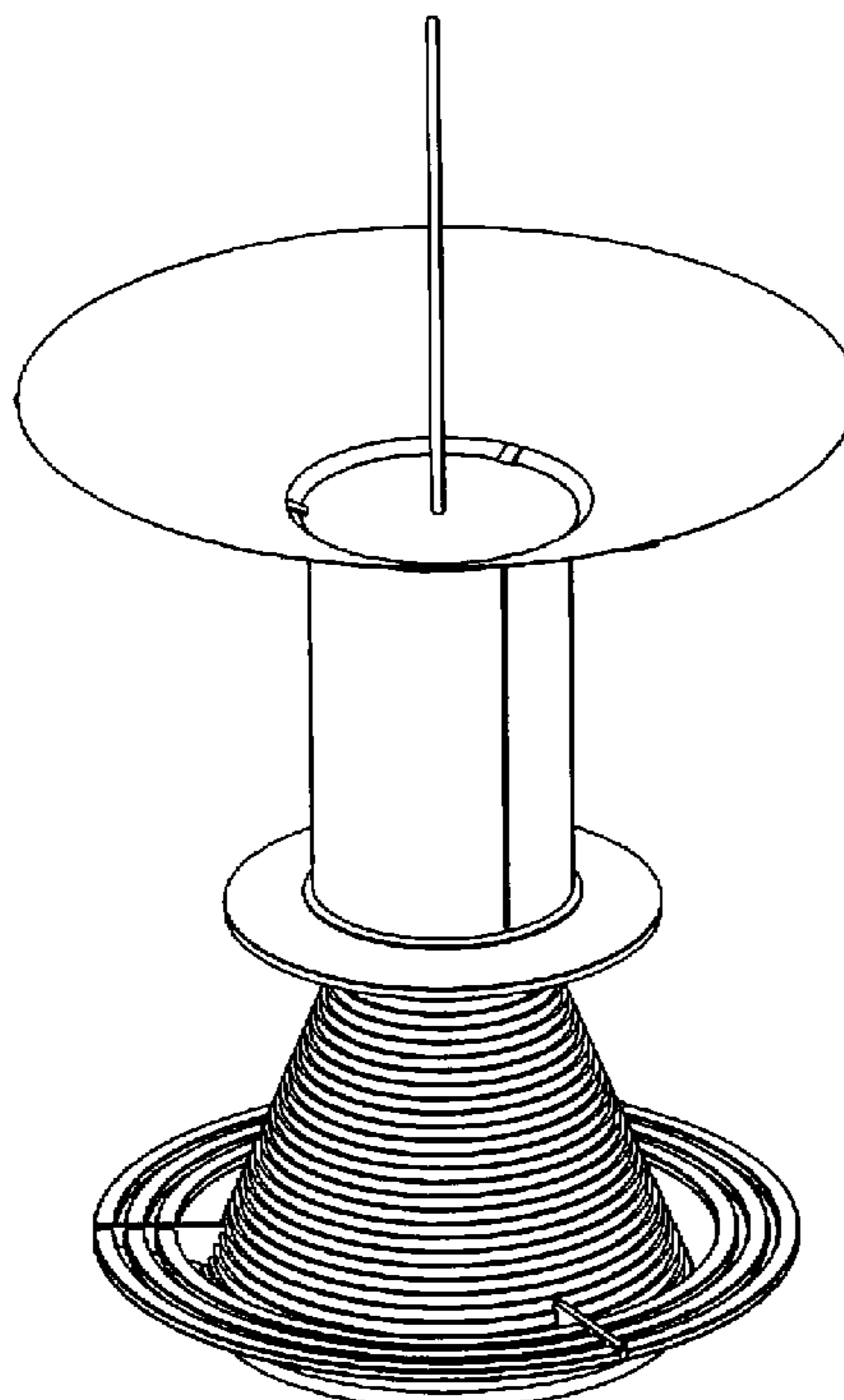
FIG. 4 is a front end view of the advertising device of my new design;

FIG. 5 is a rear end view of the advertising device of my new design;

FIG. 6 is a top view of the advertising device of my new design; and,

FIG. 7 is a bottom view of the advertising device of my new design.

1 Claim, 4 Drawing Sheets



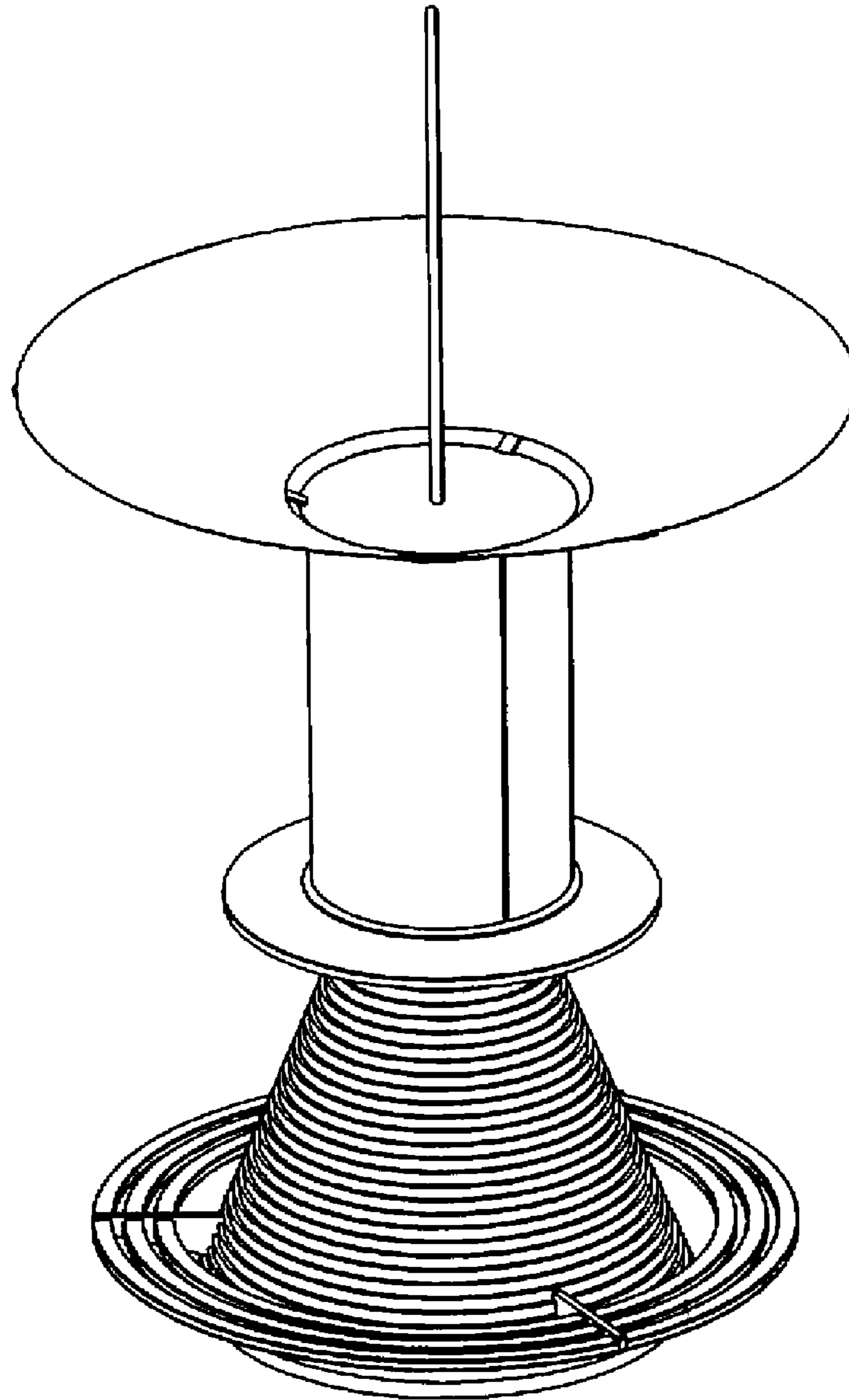


FIG. 1

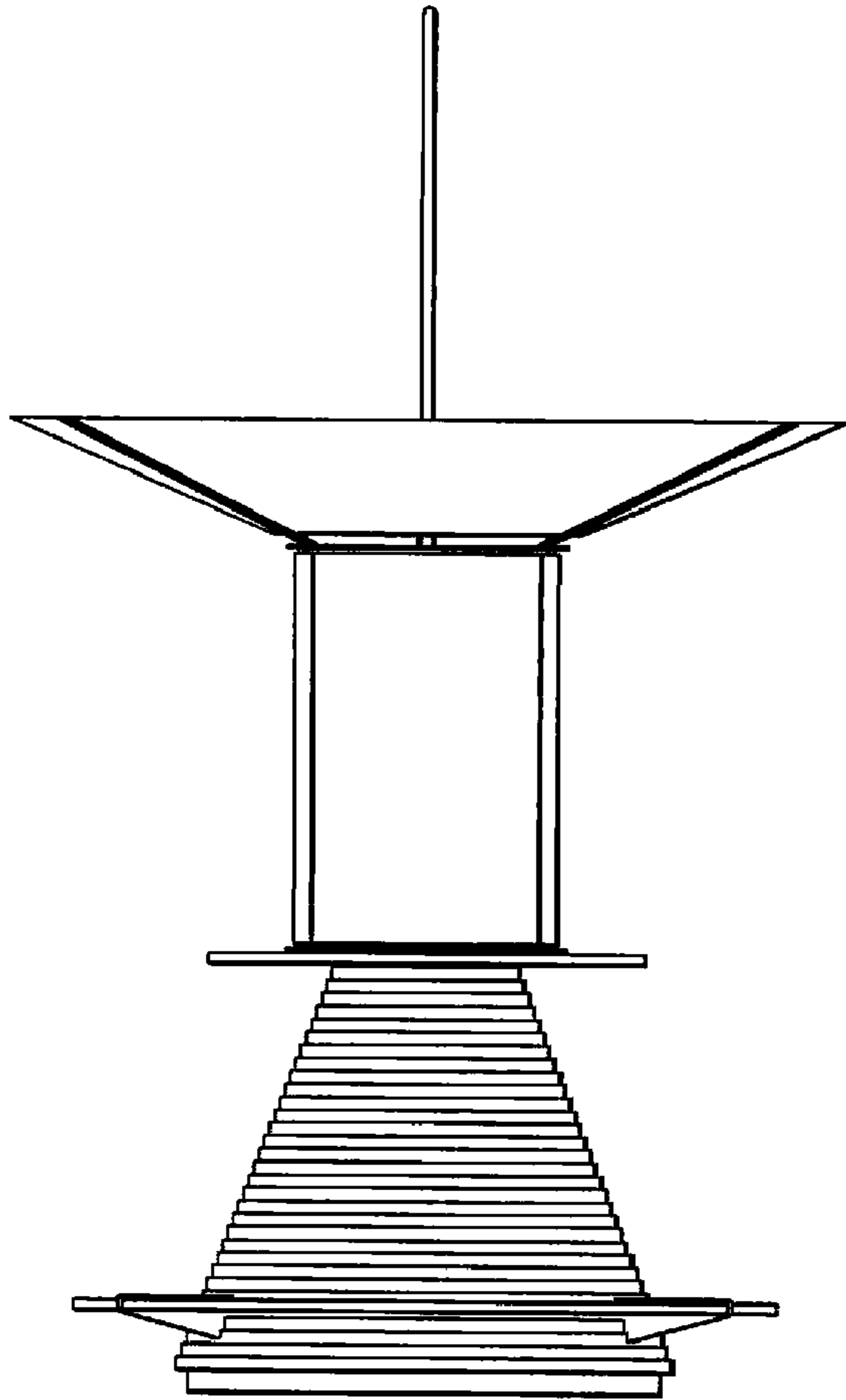


FIG. 2

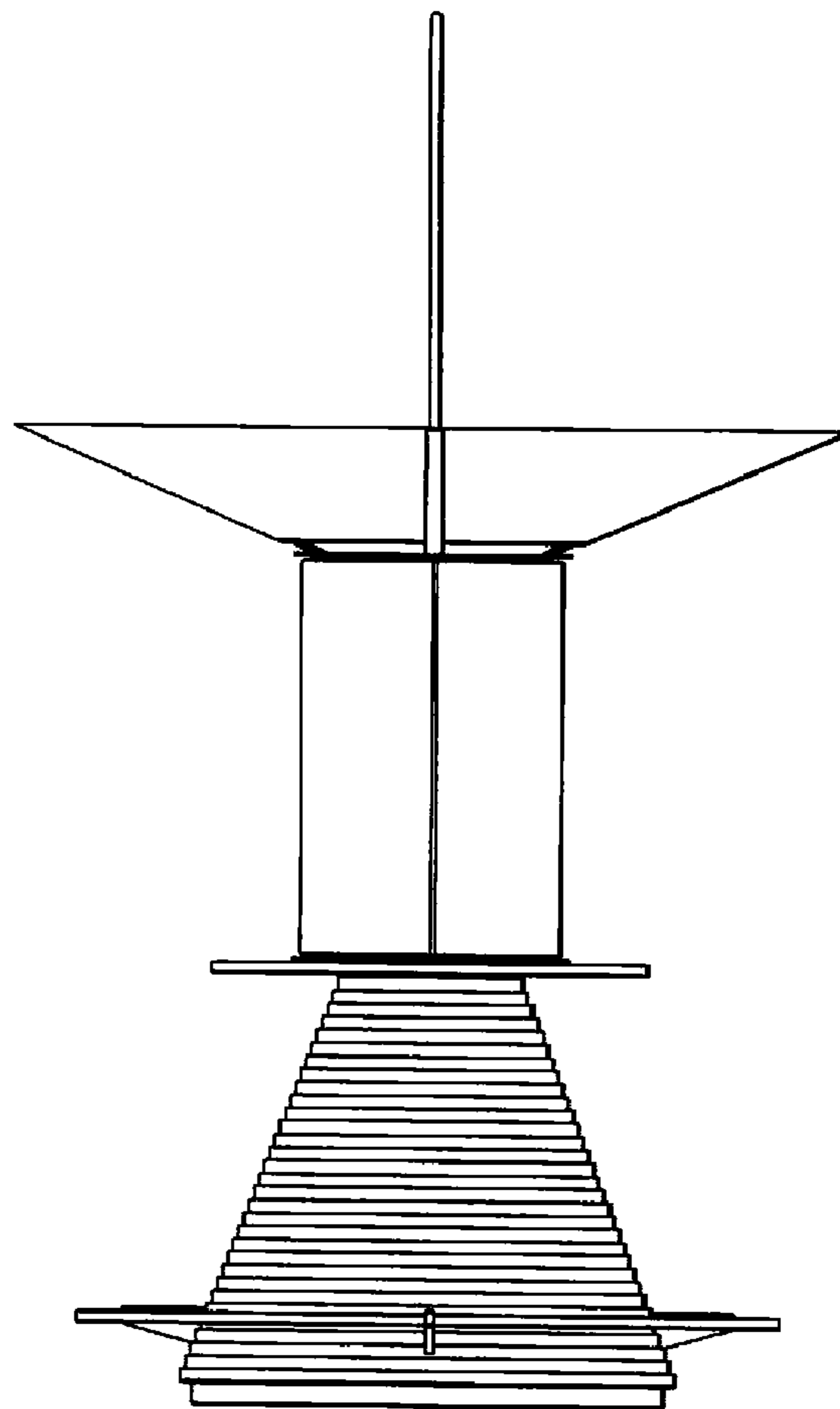


FIG. 3

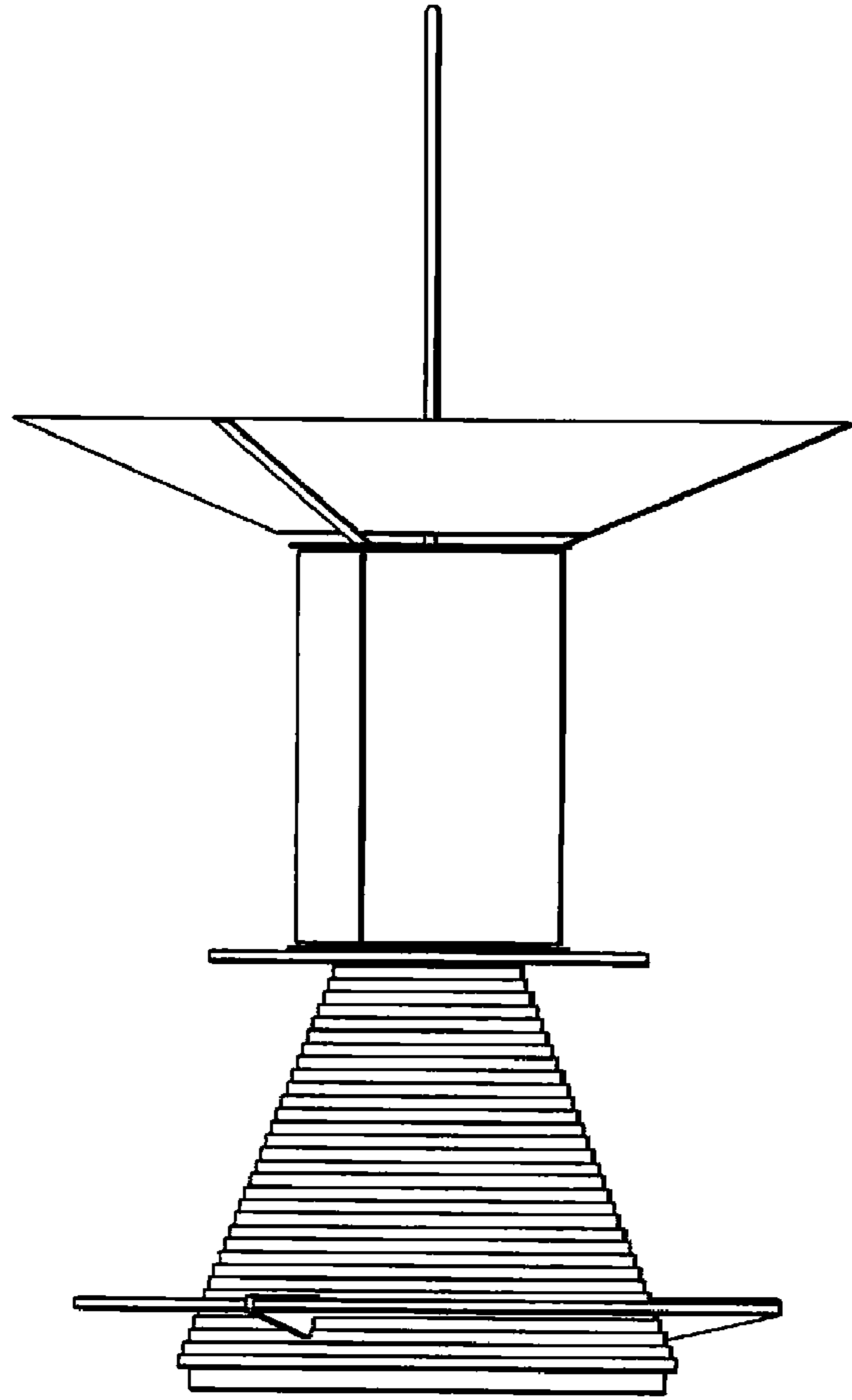


FIG. 4

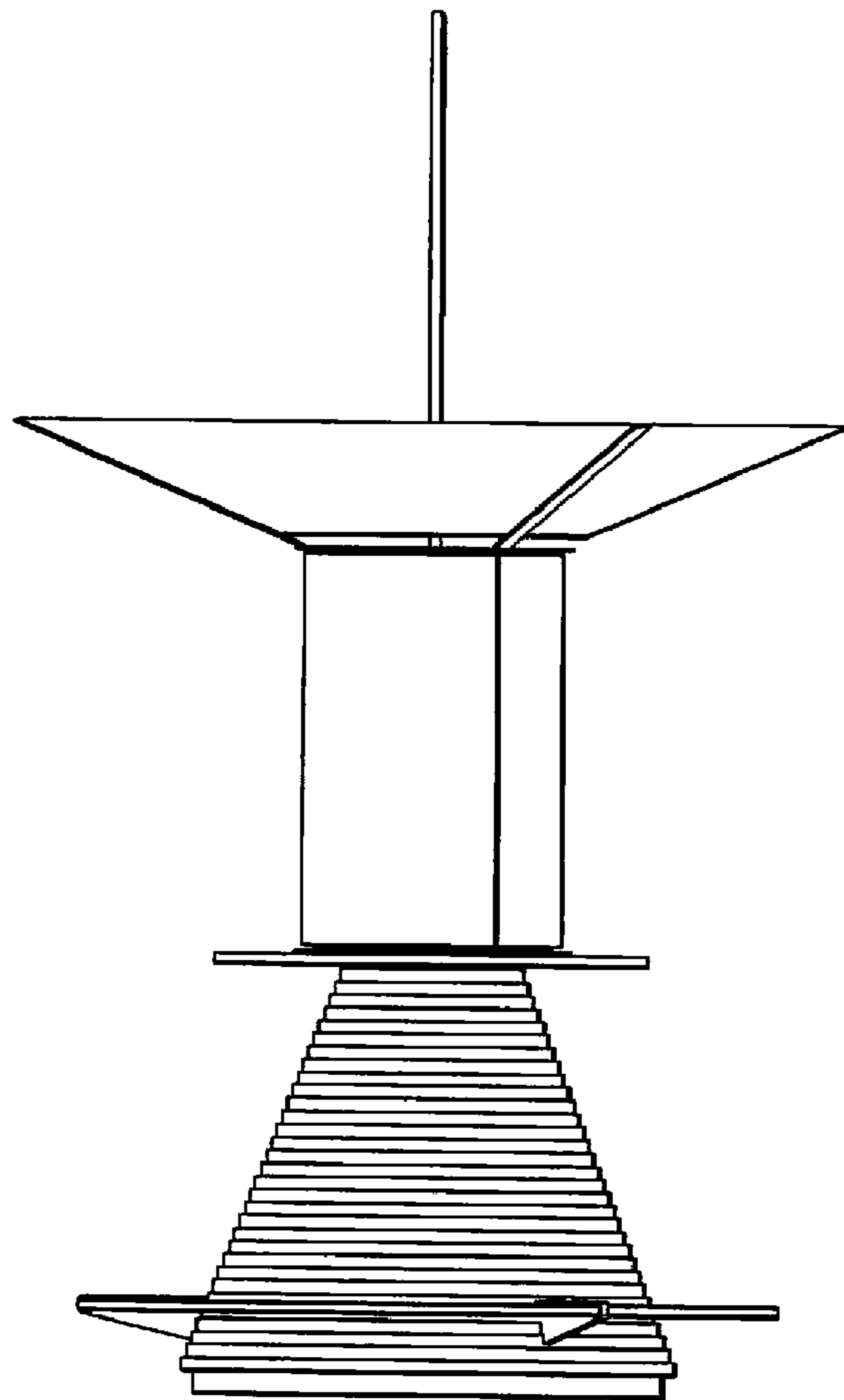


FIG. 5

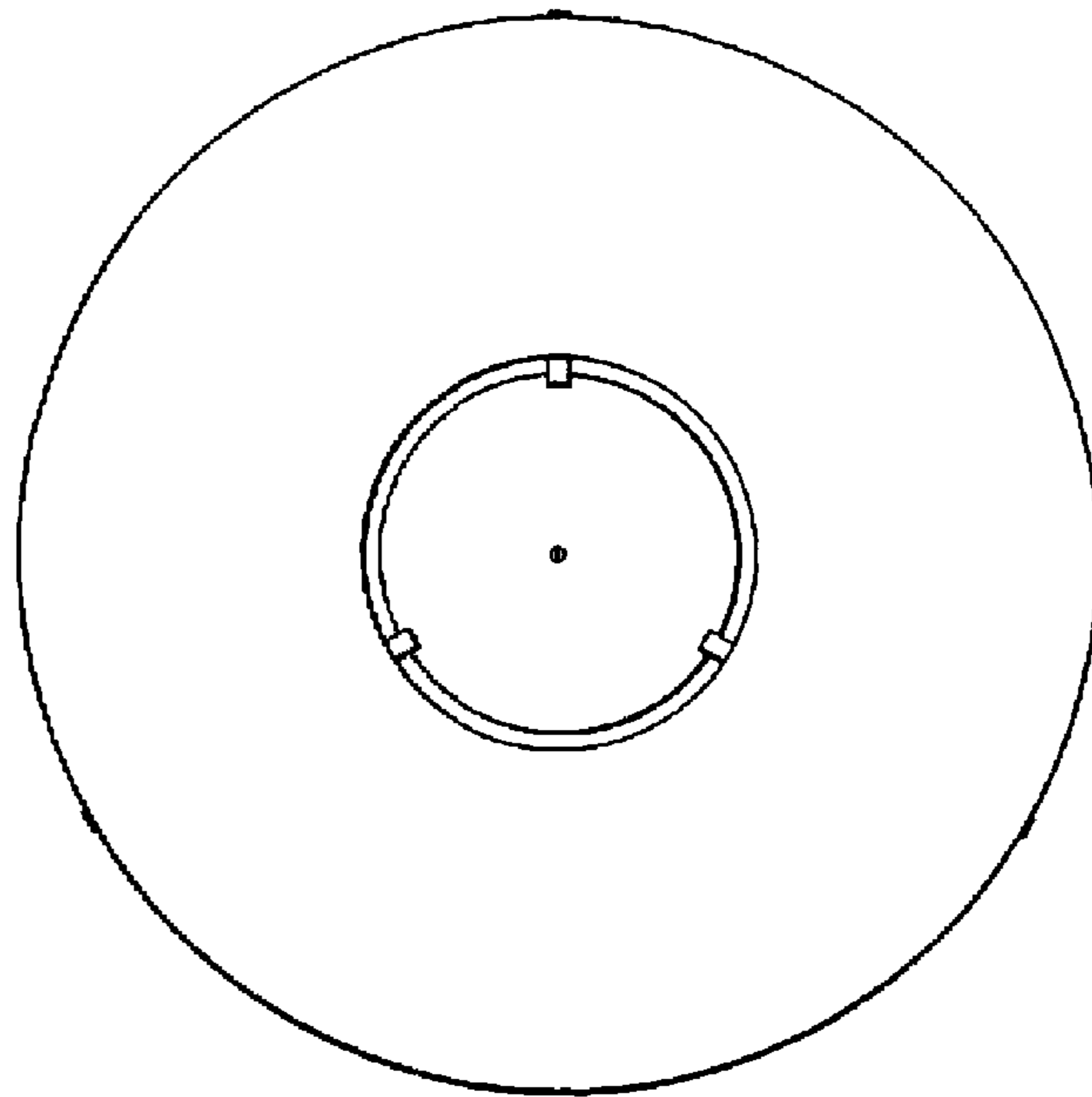


FIG. 6

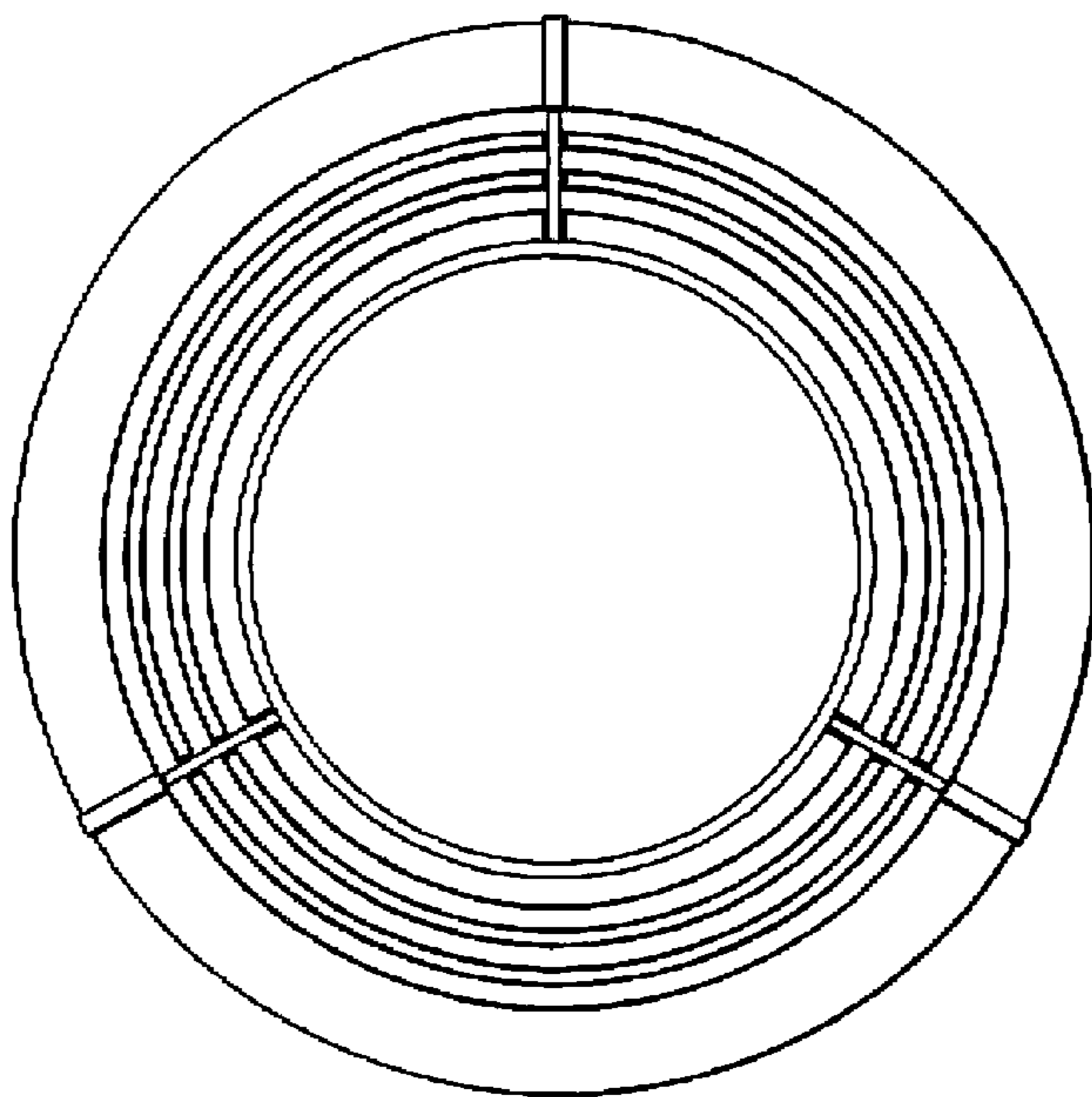


FIG. 7