

US00D567868S

(12) **United States Design Patent**  
**Myers et al.**

(10) **Patent No.: US D567,868 S**

(45) **Date of Patent: \*\* Apr. 29, 2008**

(54) **DOLLAR BILL VALIDATOR REPAIR ADAPTOR**

D360,227 S \* 7/1995 Dabrowski ..... D20/8  
D521,564 S \* 5/2006 Denison et al. .... D20/8  
D522,062 S \* 5/2006 Denison et al. .... D20/8

(75) Inventors: **Gary L. Myers**, Monee, IL (US);  
**Richard Paeth**, St. Charles, IL (US)

\* cited by examiner

(73) Assignee: **TriTeq Lock and Security**, Elk Grove, IL (US)

*Primary Examiner*—Antoine D. Davis  
(74) *Attorney, Agent, or Firm*—Leydig, Voit & Mayer, Ltd.

(\*\*) Term: **14 Years**

(57) **CLAIM**

(21) Appl. No.: **29/265,064**

The ornamental design for a dollar bill validator repair adaptor, as shown and described.

(22) Filed: **Aug. 23, 2006**

(51) **LOC (8) Cl.** ..... **20-01**

**DESCRIPTION**

(52) **U.S. Cl.** ..... **D20/8**

(58) **Field of Classification Search** ..... D10/46;  
D20/8-9; 194/205-206, 212, 350; 221/75,  
221/92, 94, 95-96, 126, 155, 195  
See application file for complete search history.

FIG. 1 is a front perspective view of a dollar bill validator repair adaptor showing our new design;  
FIG. 2 is a front plan view thereof;  
FIG. 3 is a rear plan view thereof;  
FIG. 4 is a side view thereof; and,  
FIG. 5 is another side view thereof.

(56) **References Cited**

**U.S. PATENT DOCUMENTS**

5,316,117 A \* 5/1994 Griner et al. .... 194/203

**1 Claim, 1 Drawing Sheet**

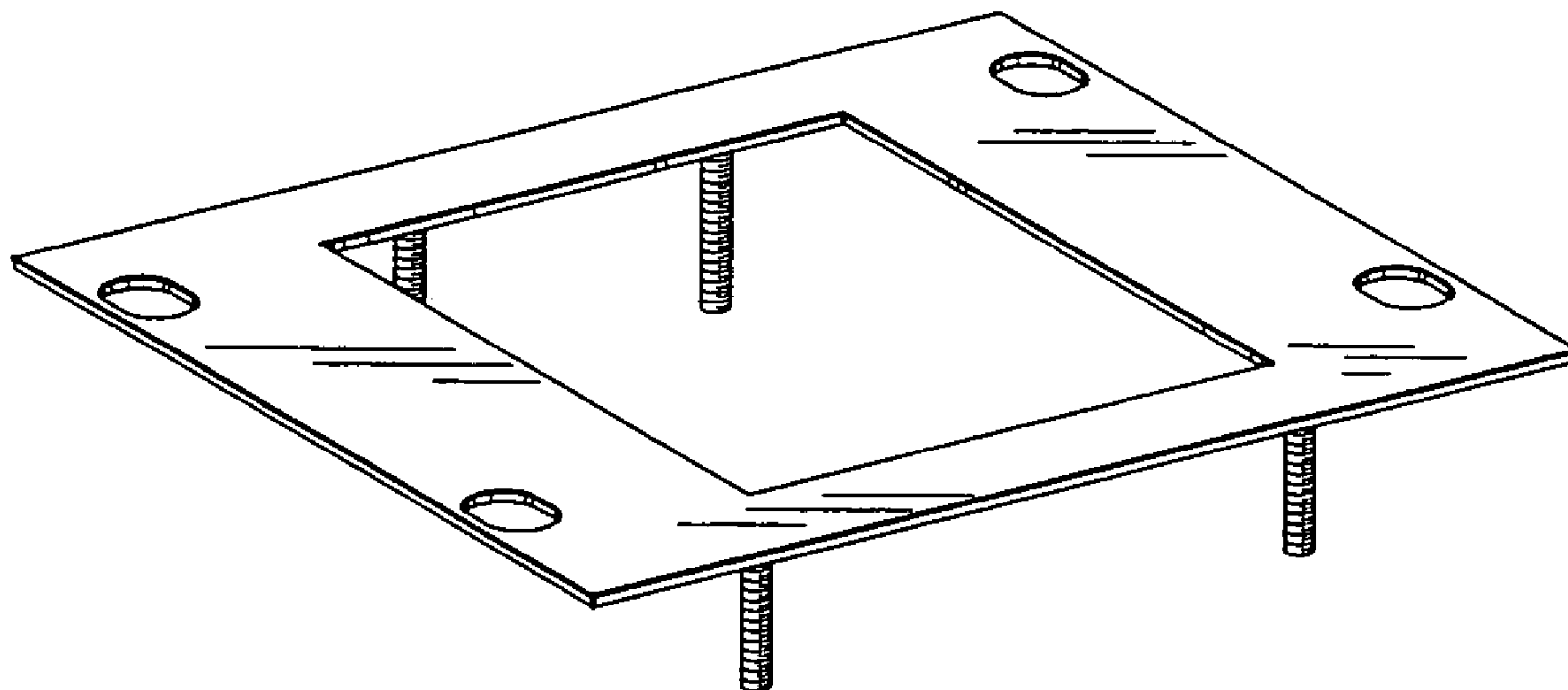


FIG. 1

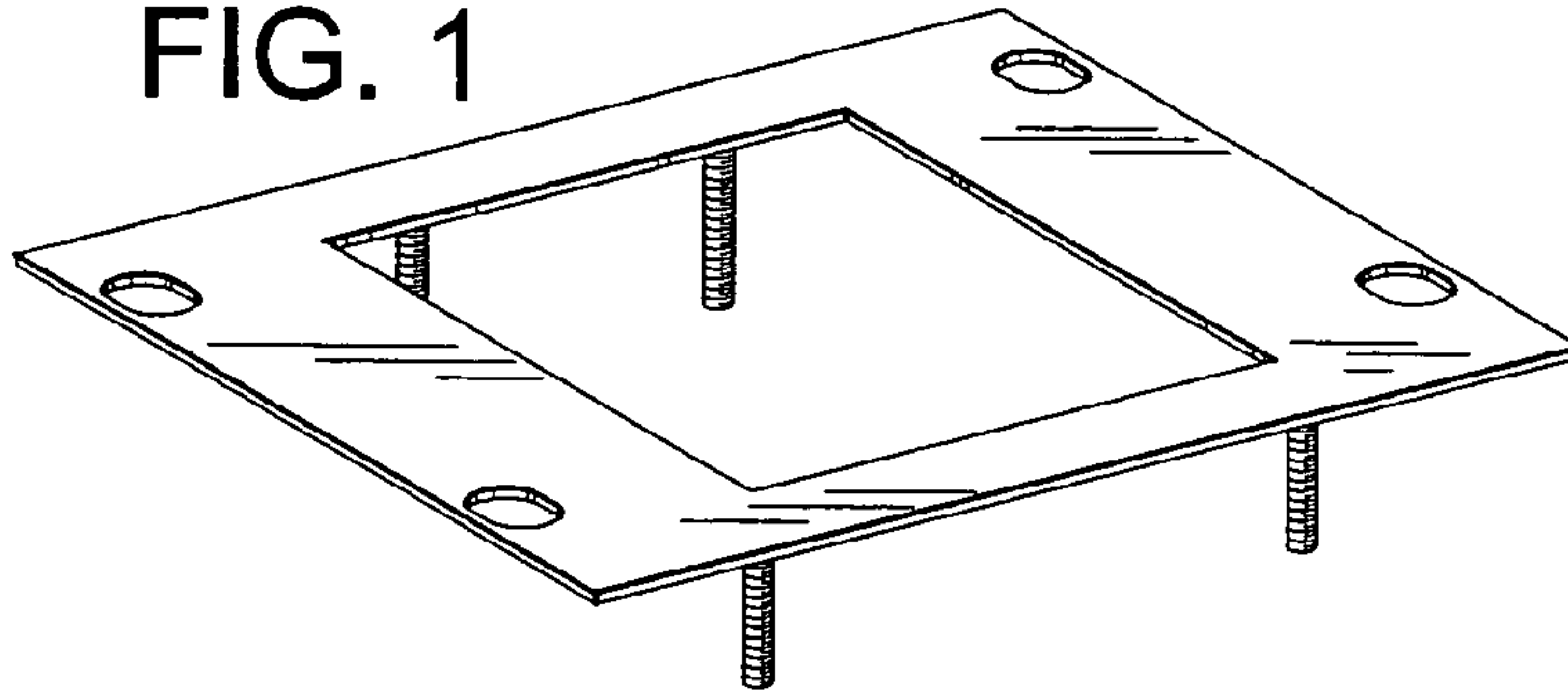


FIG. 2

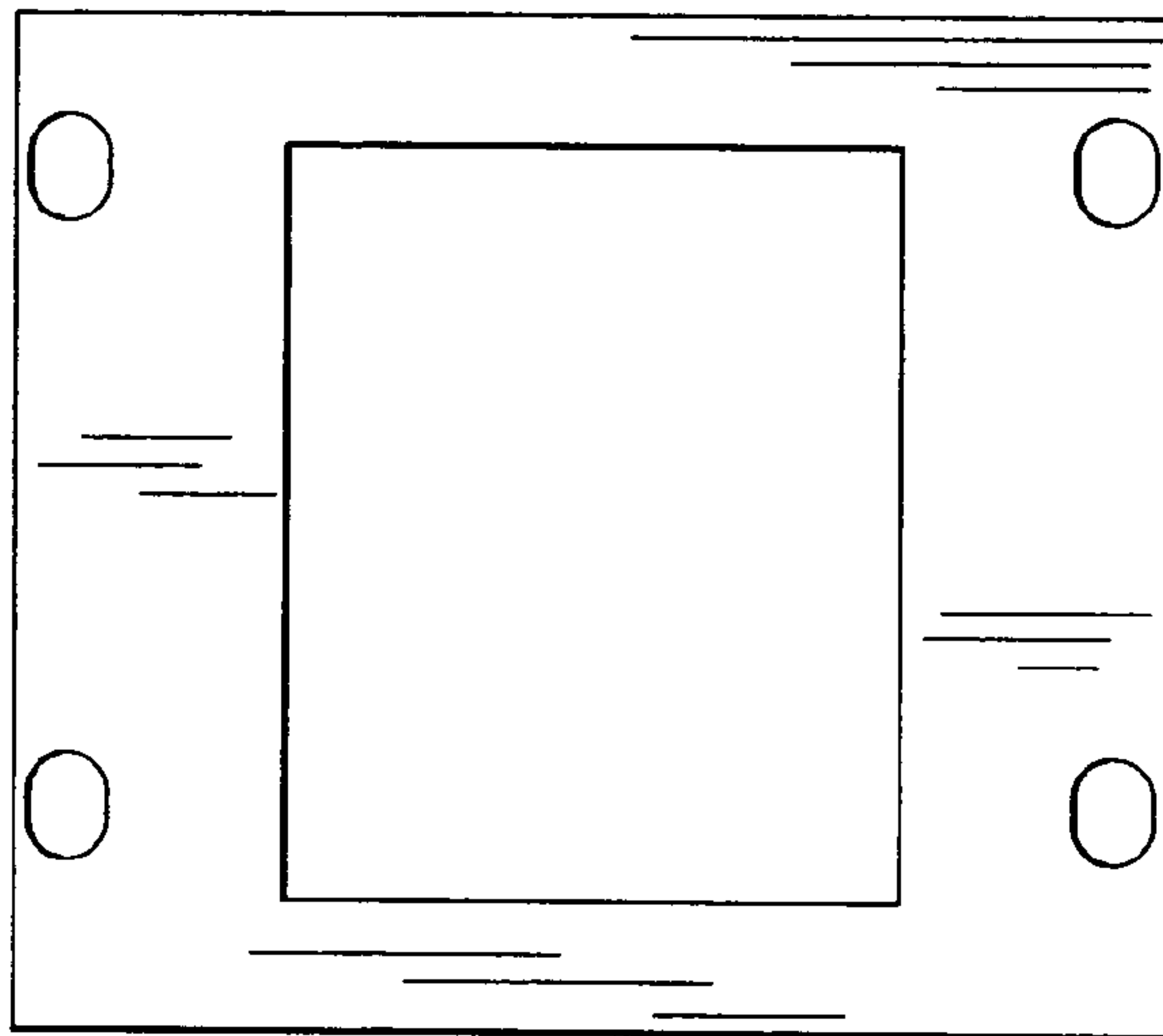


FIG. 3

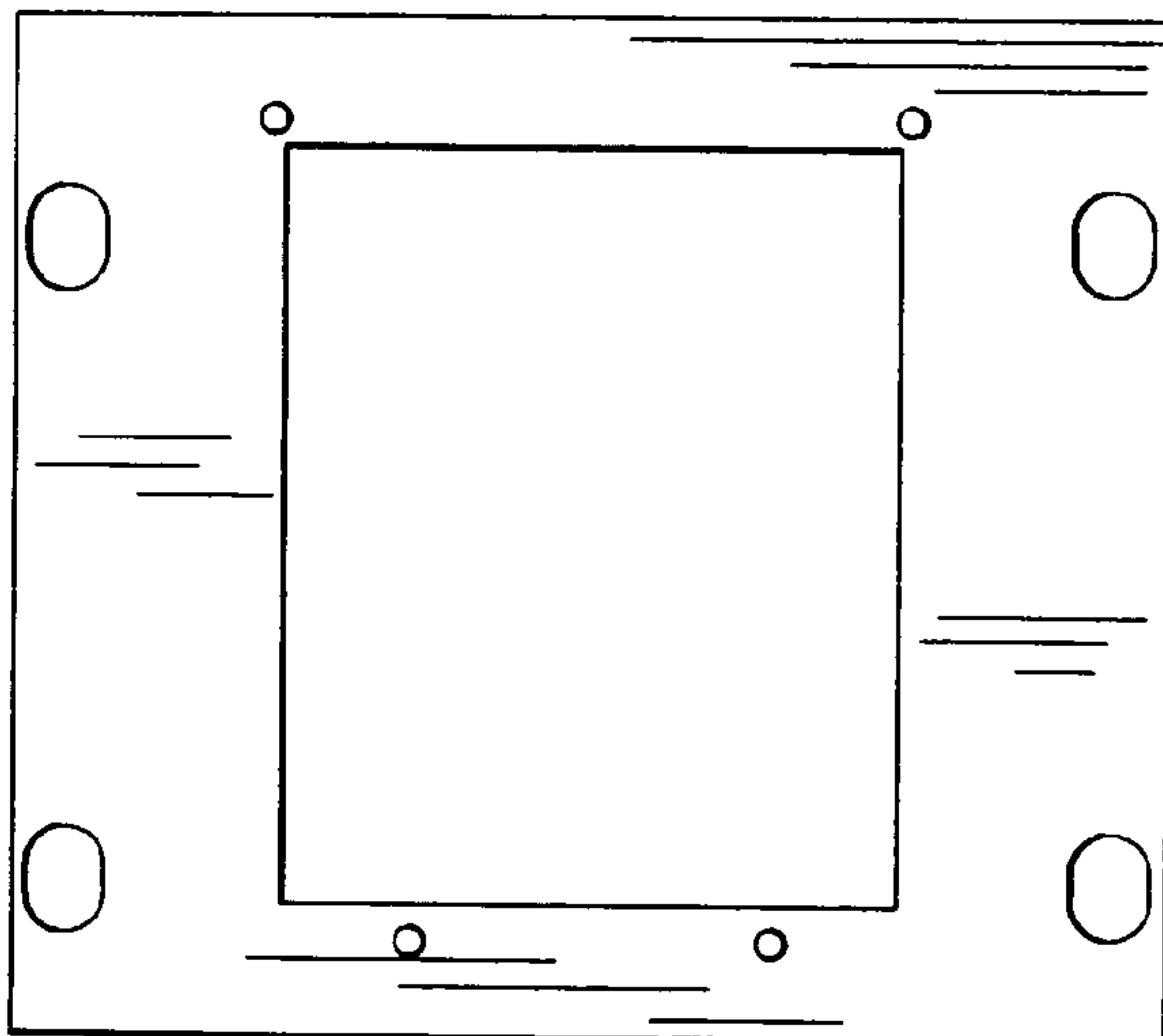


FIG. 4



FIG. 5

