



US00D567863S

(12) **United States Design Patent**
Mandel

(10) **Patent No.:** **US D567,863 S**

(45) **Date of Patent:** **** Apr. 29, 2008**

(54) **ROCKING PAPER CLIP DISPENSER**

D334,594 S * 4/1993 Suxdorf D19/98
D345,378 S * 3/1994 Hu D19/75
5,915,812 A * 6/1999 Terban 34/95.3

(75) Inventor: **Logan Flash Mandel**, Los Angeles, CA (US)

* cited by examiner

(73) Assignee: **GMPC, LLC**, Santa Monica, CA (US)

Primary Examiner—Elizabeth A. Albert

(**) Term: **14 Years**

(74) *Attorney, Agent, or Firm*—Christie, Parker & Hale, LLP

(21) Appl. No.: **29/282,787**

(57) **CLAIM**

(22) Filed: **Jul. 30, 2007**

The ornamental design for rocking paper clip dispenser, as shown and described.

(51) **LOC (8) Cl.** **19-02**

(52) **U.S. Cl.** **D19/75**

(58) **Field of Classification Search** D19/35,
D19/36, 65, 75, 78, 81–85, 95–97; 34/95.4;
206/214, 338, 340, 350, 486, 818; 211/DIG. 1;
221/212

See application file for complete search history.

DESCRIPTION

FIG. 1 is a top plan view of a rocking paper clip dispenser showing my new design;

FIG. 2 is a bottom plan view thereof;

FIG. 3 is a left side view thereof;

FIG. 4 is a front view thereof;

FIG. 5 is a rear view thereof;

FIG. 6 is a top front left isometric view thereof; and,

FIG. 7 is a bottom front left isometric view thereof.

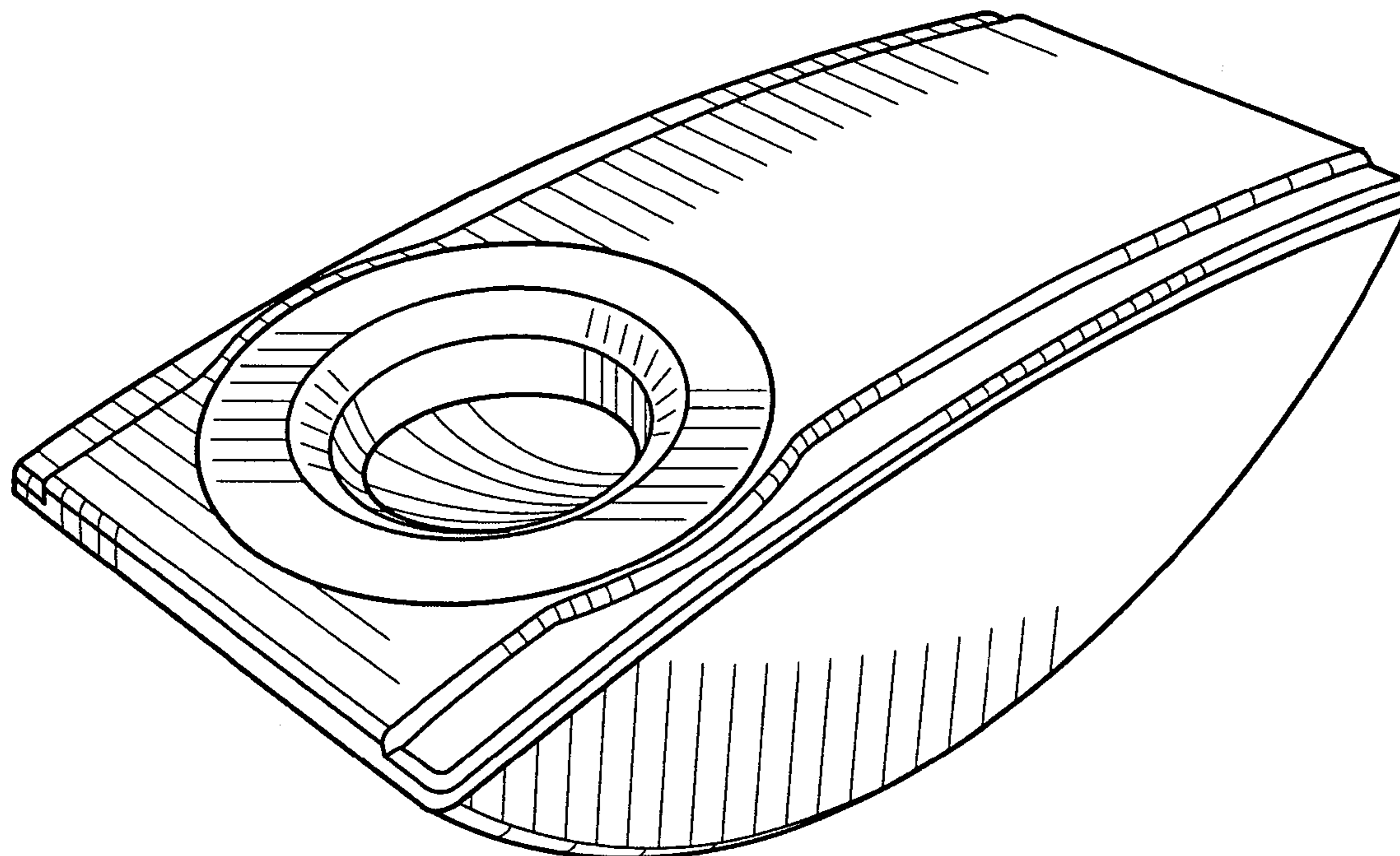
The right side view is a minor image of the left side view of FIG. 3.

(56) **References Cited**

U.S. PATENT DOCUMENTS

1,182,919	A *	5/1916	Magosy	34/95.4
1,785,229	A *	12/1930	Schuelke	34/95.4
2,043,611	A *	6/1936	Ellinwood	16/403
D123,815	S *	12/1940	Mitchell et al.	D19/71
2,272,955	A *	2/1942	Spitalnik	40/358
D170,558	S *	10/1953	Swan	D19/98
2,716,963	A *	9/1955	Howe	34/95.4

1 Claim, 7 Drawing Sheets



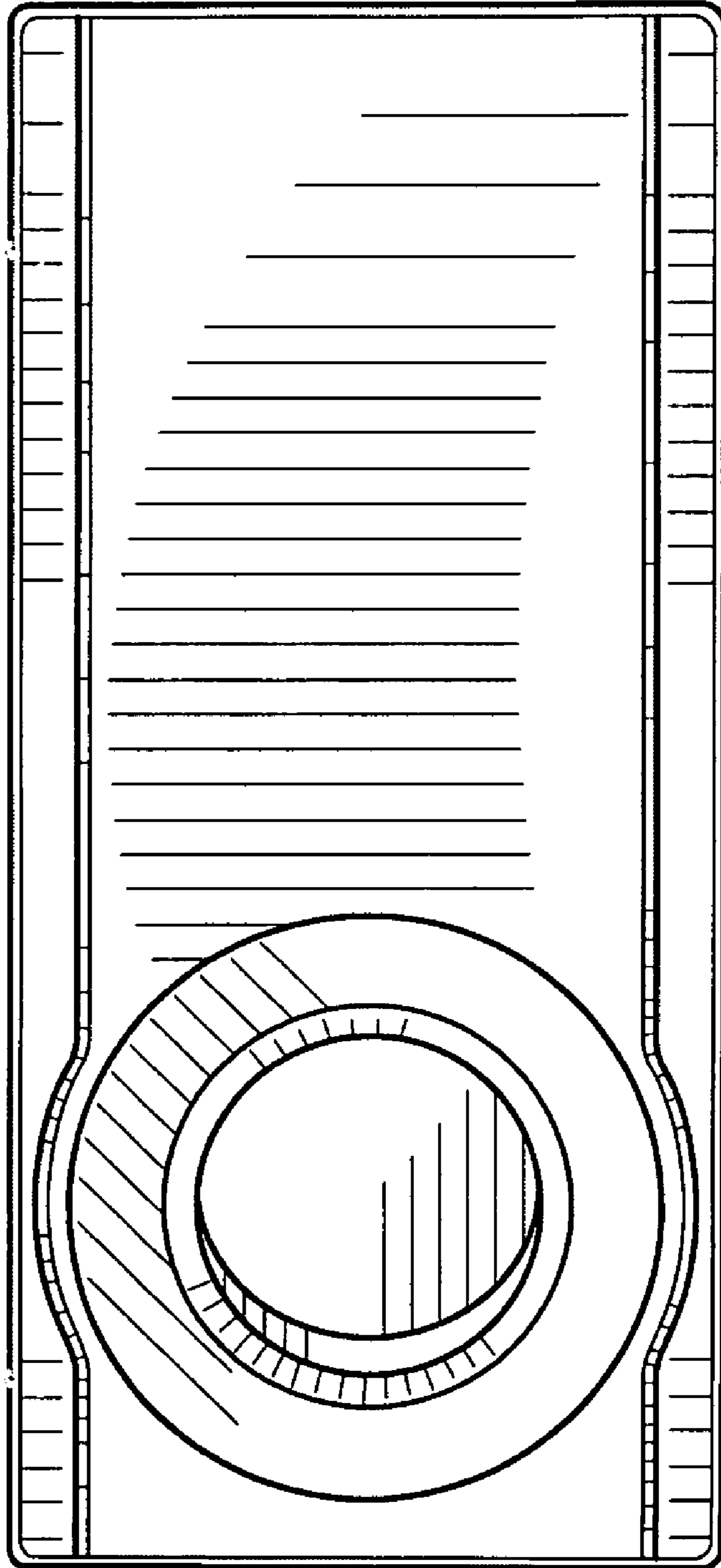


FIG-1

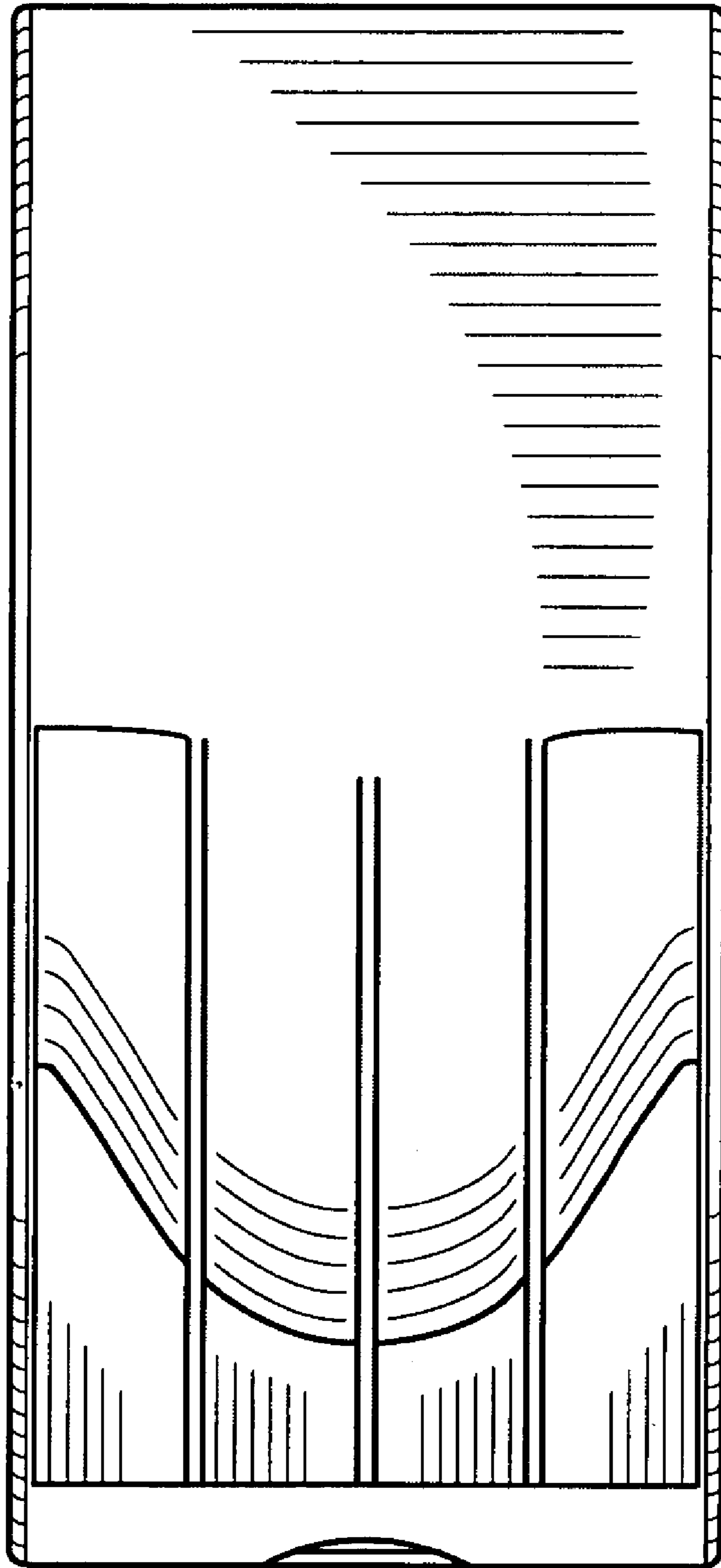


FIG-2

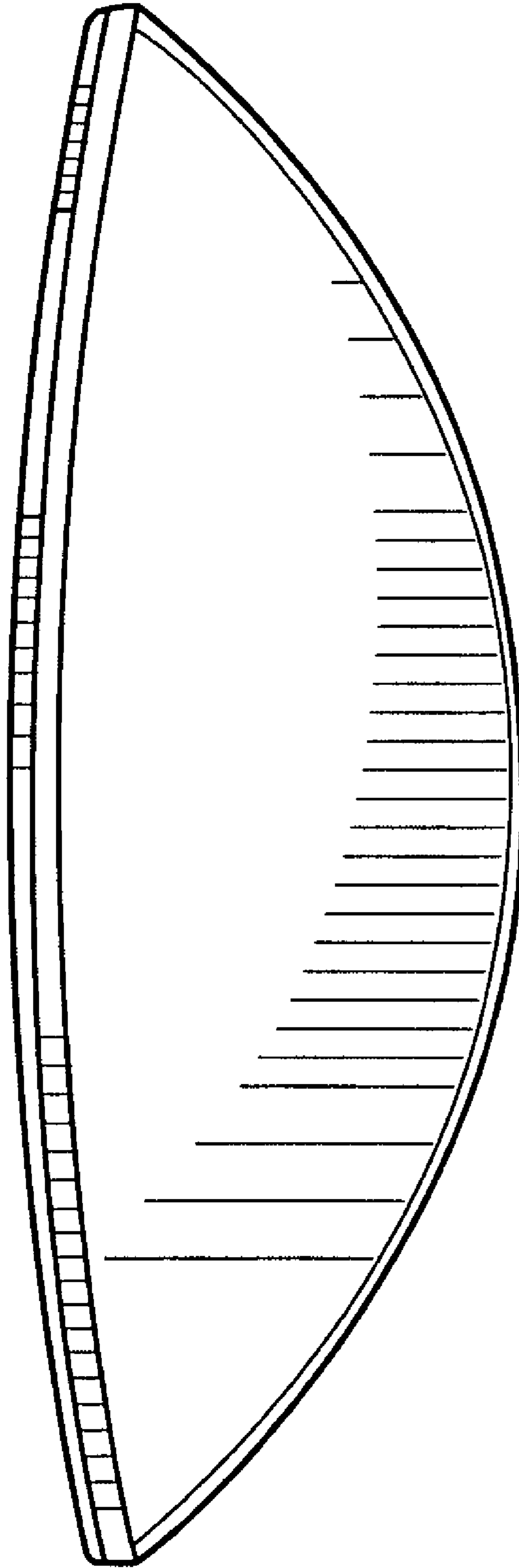


FIG-3

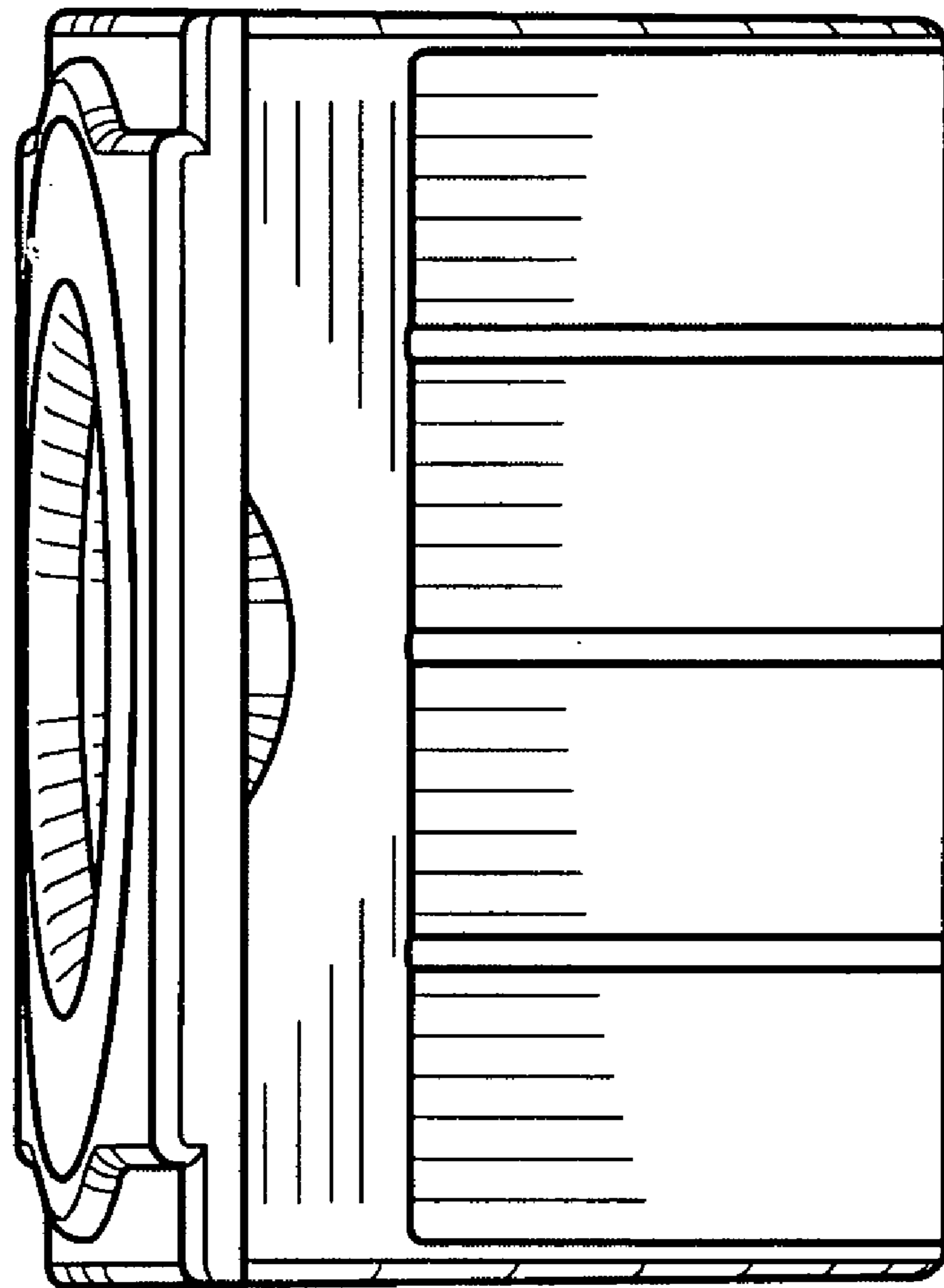


FIG-4

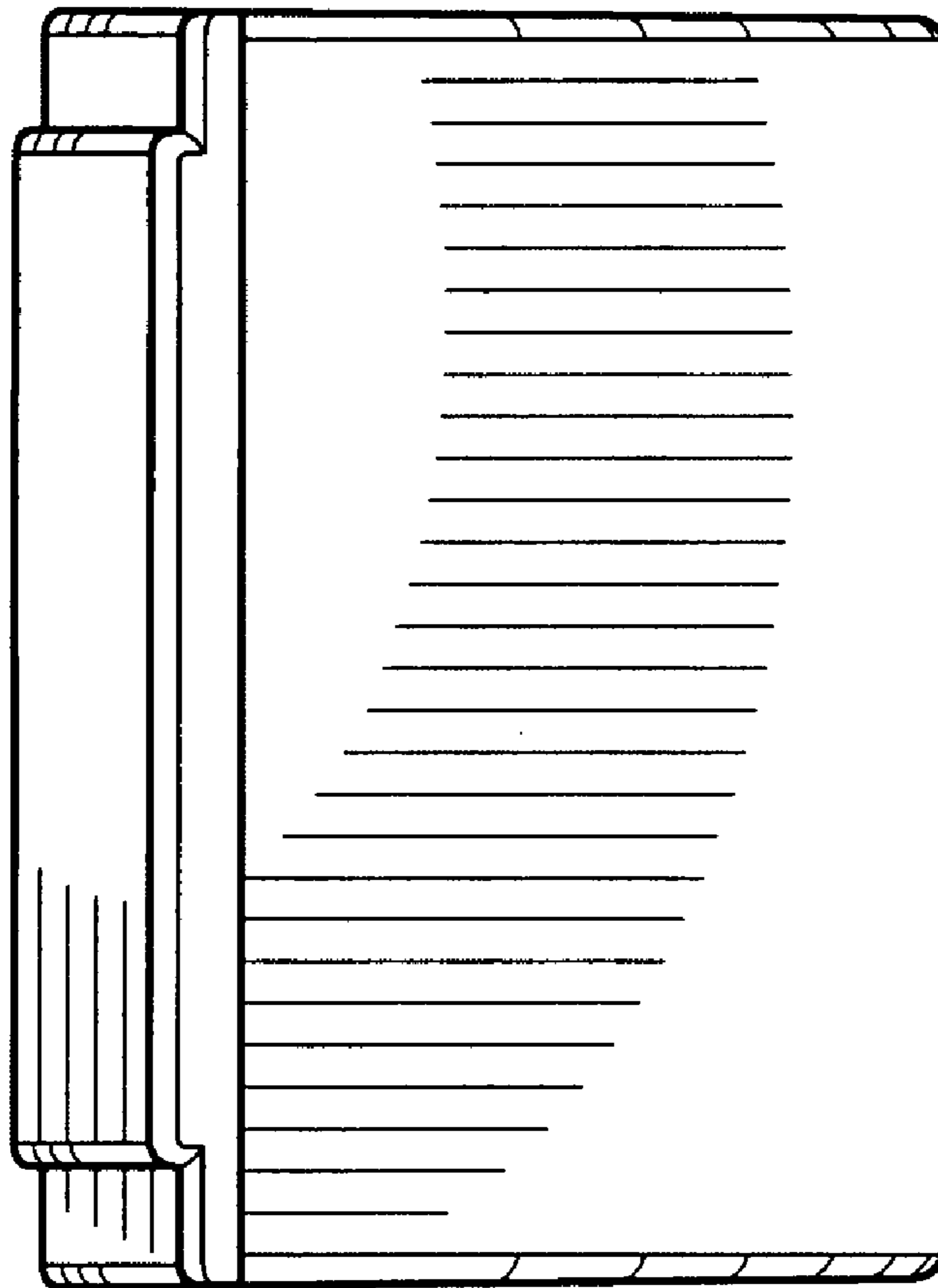


FIG-5

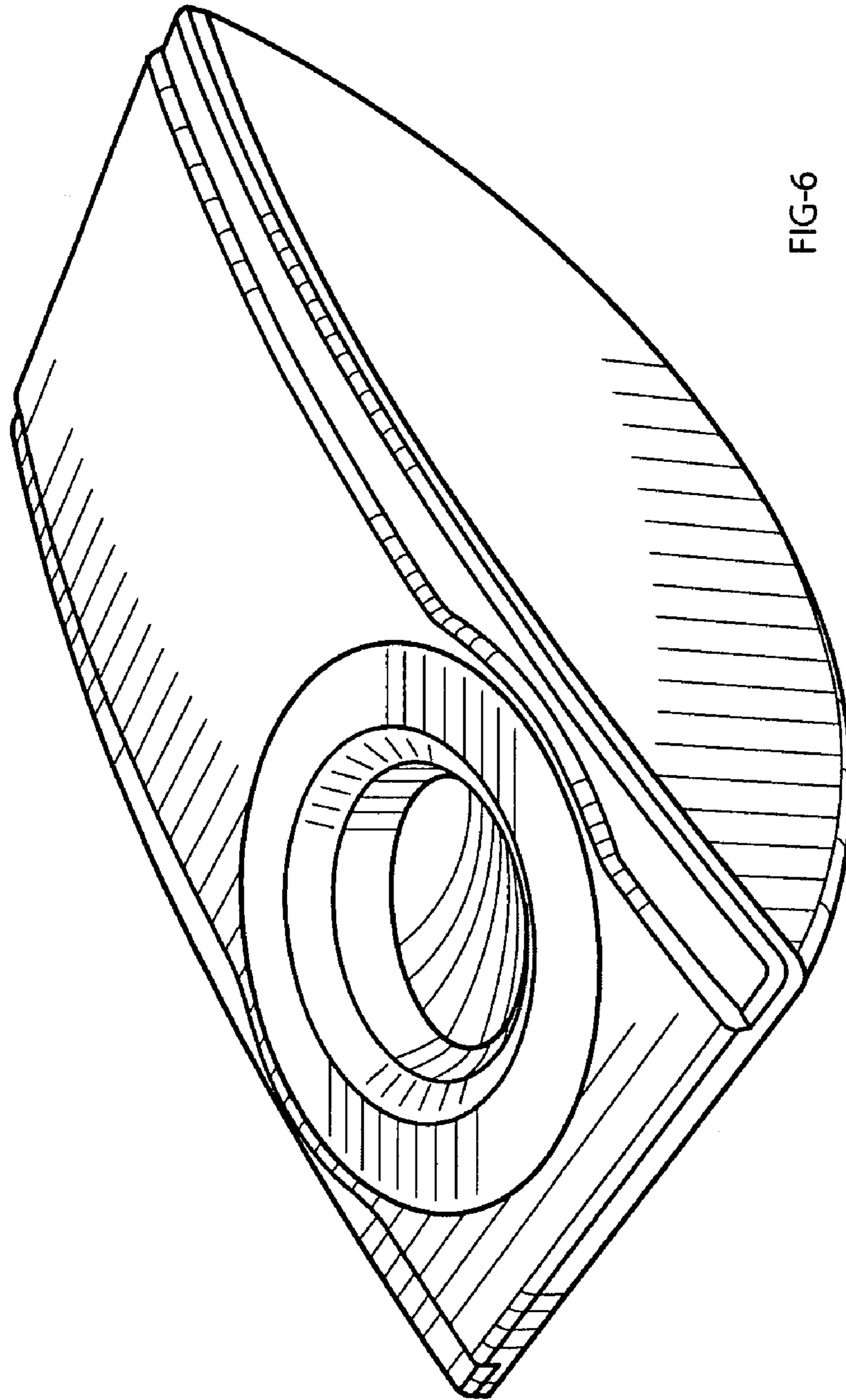


FIG-6

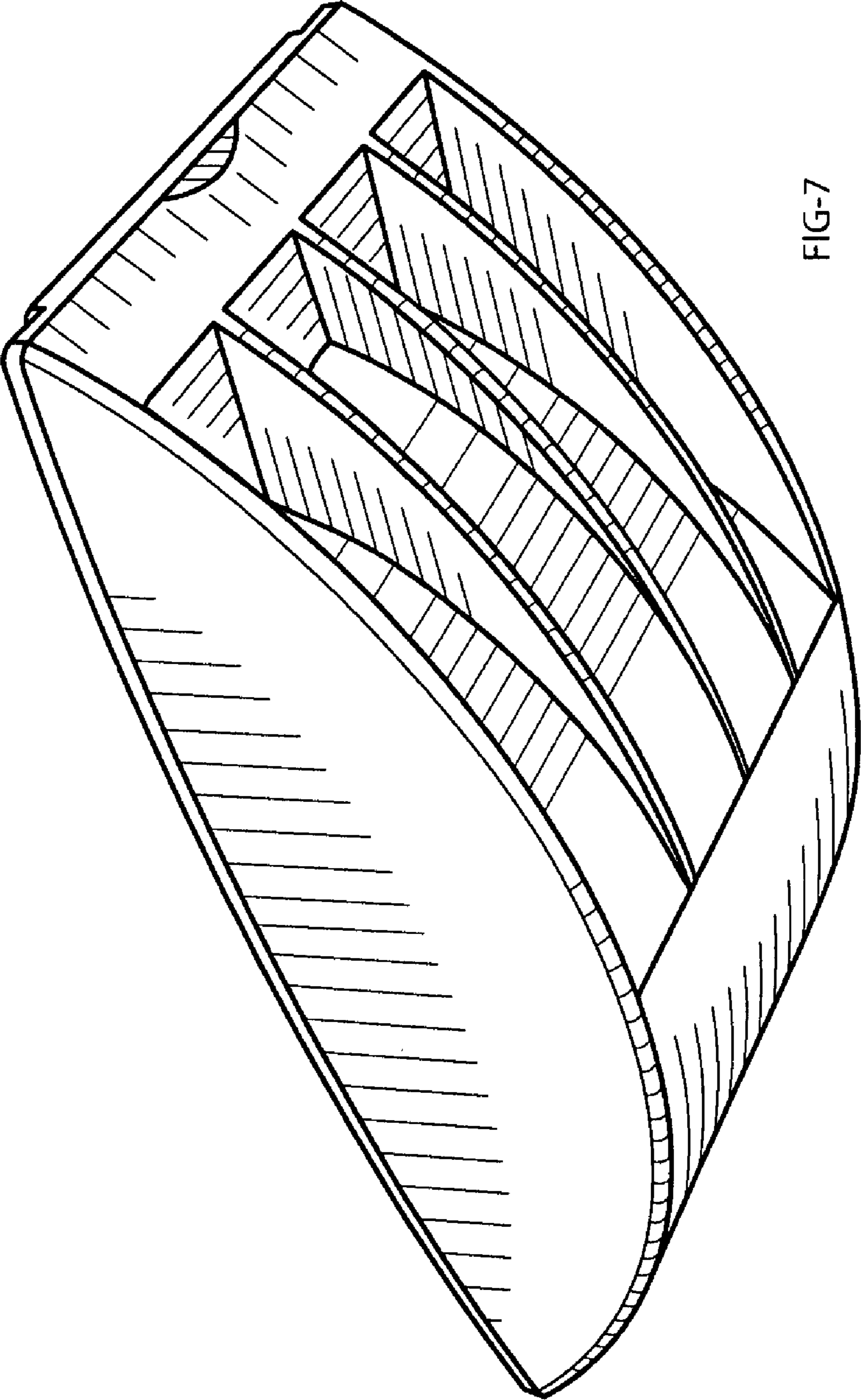


FIG-7