



US00D567862S

(12) **United States Design Patent**
Chen et al.

(10) **Patent No.:** **US D567,862 S**

(45) **Date of Patent:** **** Apr. 29, 2008**

(54) **PAPER PUNCH**

(75) Inventors: **Peter Chen**, West Windsor, NJ (US);
Xiaoquan Luo, Bronx, NY (US);
Jungkun Lee, Edison, NJ (US)

(73) Assignee: **Officemate International Corp.**,
Edison, NJ (US)

(**) Term: **14 Years**

(21) Appl. No.: **29/271,802**

(22) Filed: **Jan. 26, 2007**

(51) **LOC (8) Cl.** **19-02**

(52) **U.S. Cl.** **D19/72**

(58) **Field of Classification Search** D19/49,
D19/50, 51, 72, 73; 83/684, 669, 620, 627,
83/618, 588, 563, 549, 522.19, 468, 449,
83/467.1, 277, 167; 412/42; 30/364, 363,
30/358, 233; 234/109; 156/513

See application file for complete search history.

(56) **References Cited**

U.S. PATENT DOCUMENTS

D132,970	S	*	7/1942	Budlong	D19/72
2,587,749	A	*	3/1952	Misson	83/627
4,466,322	A	*	8/1984	Mori	83/468
5,611,254	A	*	3/1997	Rall	83/467.1
5,658,421	A	*	8/1997	Carroll	156/513
5,685,212	A	*	11/1997	Licata et al.	83/277
D467,618	S	*	12/2002	Gstalter	D19/72
D468,772	S	*	1/2003	Robillard	D19/72
D477,028	S	*	7/2003	Huang	D19/72
D479,857	S	*	9/2003	Huang	D19/72
6,644,161	B2	*	11/2003	Lin	83/588

D489,411	S	*	5/2004	Chen	D19/72
D491,230	S	*	6/2004	Lee	D19/72
D506,784	S	*	6/2005	Bodum	D19/72
D529,095	S	*	9/2006	Tou	D19/72
D531,674	S	*	11/2006	Oh	D19/72
D533,229	S	*	12/2006	Tou	D19/72
2003/0213838	A1	*	11/2003	Wright	234/109
2005/0204886	A1	*	9/2005	Lowenthal	83/588
2006/0278056	A1	*	12/2006	Chen et al.	83/588
2007/0107576	A1	*	5/2007	Chen	83/669

* cited by examiner

Primary Examiner—Cathron C. Brooks

Assistant Examiner—Austin Murphy

(74) *Attorney, Agent, or Firm*—Daniel Kirshner

(57) **CLAIM**

The ornamental design for a paper punch, as shown and described.

DESCRIPTION

FIG. 1 is a front perspective view of a paper punch showing the new design;

FIG. 2 is a rear perspective view thereof;

FIG. 3 is a top view thereof;

FIG. 4 is bottom view thereof;

FIG. 5 is a left side elevational view thereof;

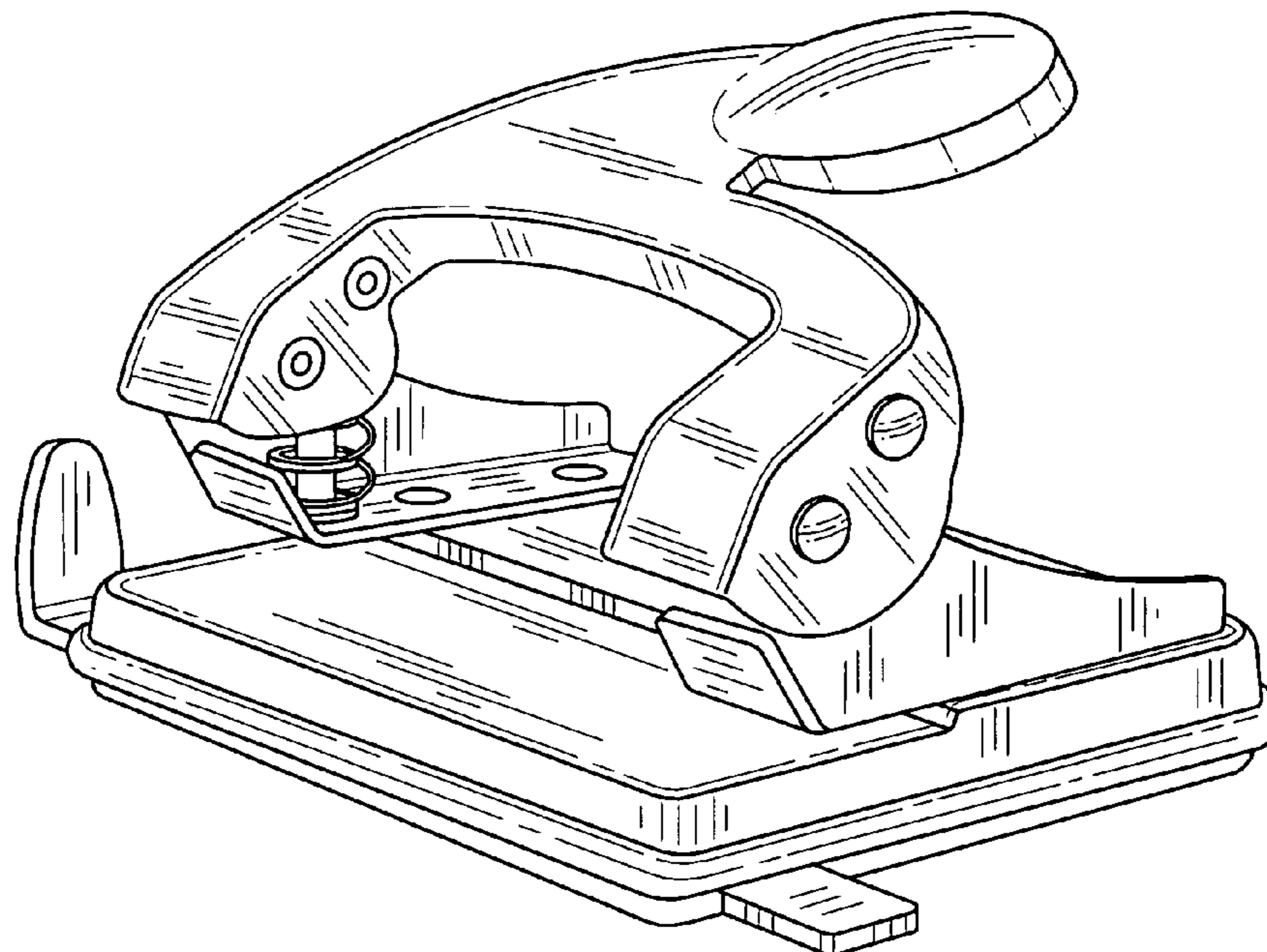
FIG. 6 is a right side elevational thereof;

FIG. 7 is a rear elevational view thereof;

FIG. 8 is a front elevational view thereof; and,

FIG. 9 is a front perspective view thereof showing the paper guide in exploded condition.

1 Claim, 8 Drawing Sheets



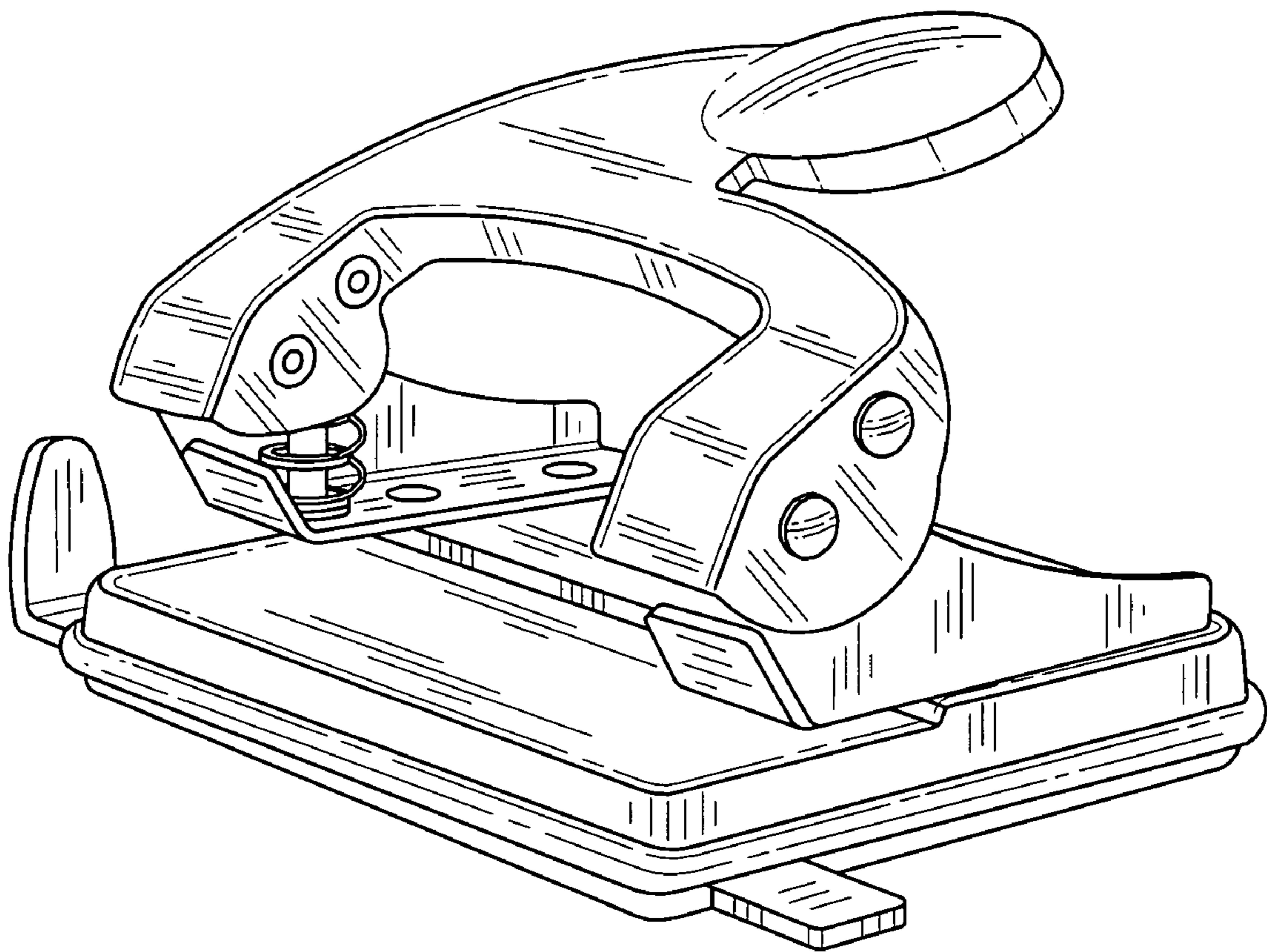


FIG. 1

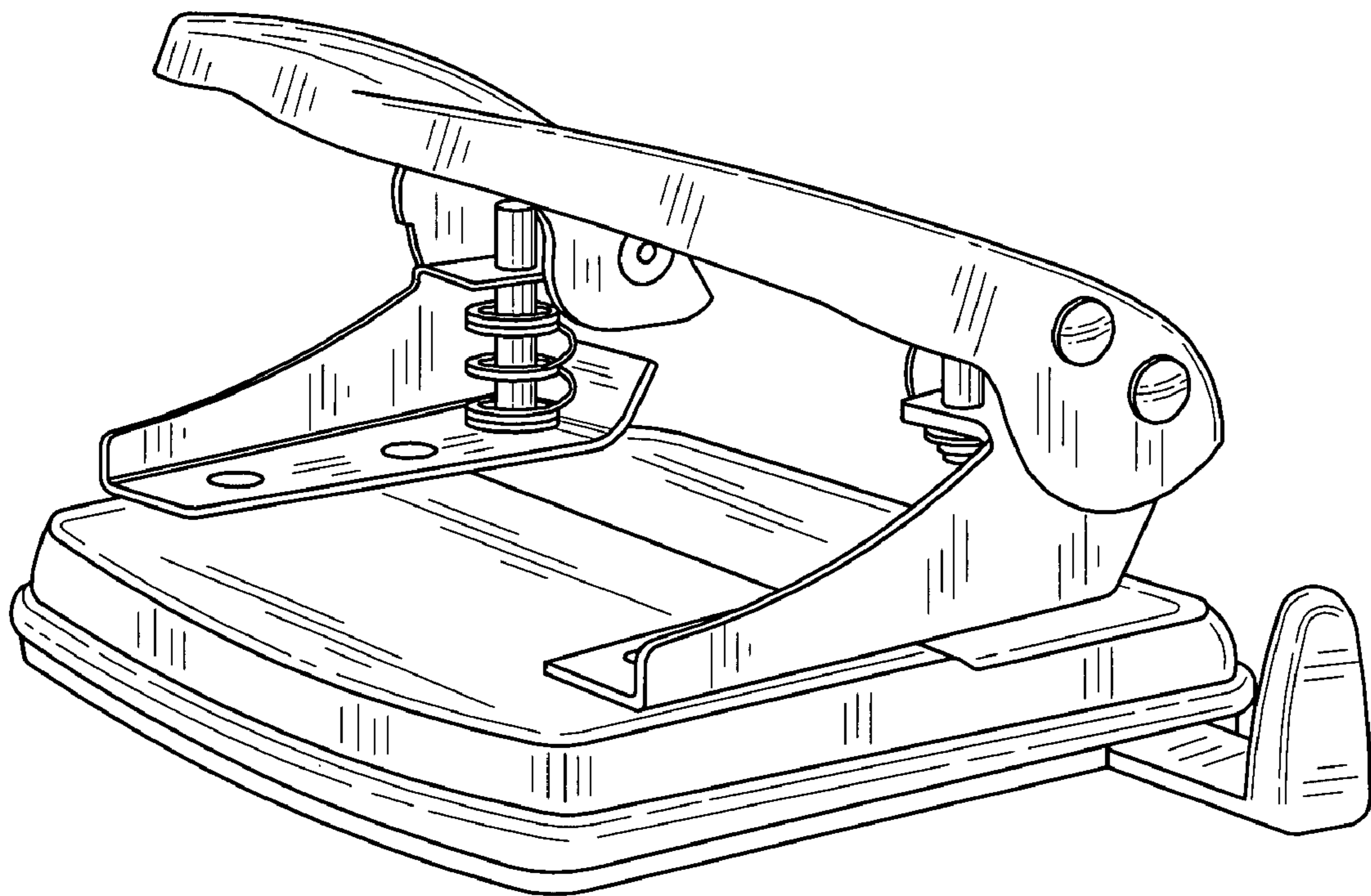


FIG. 2

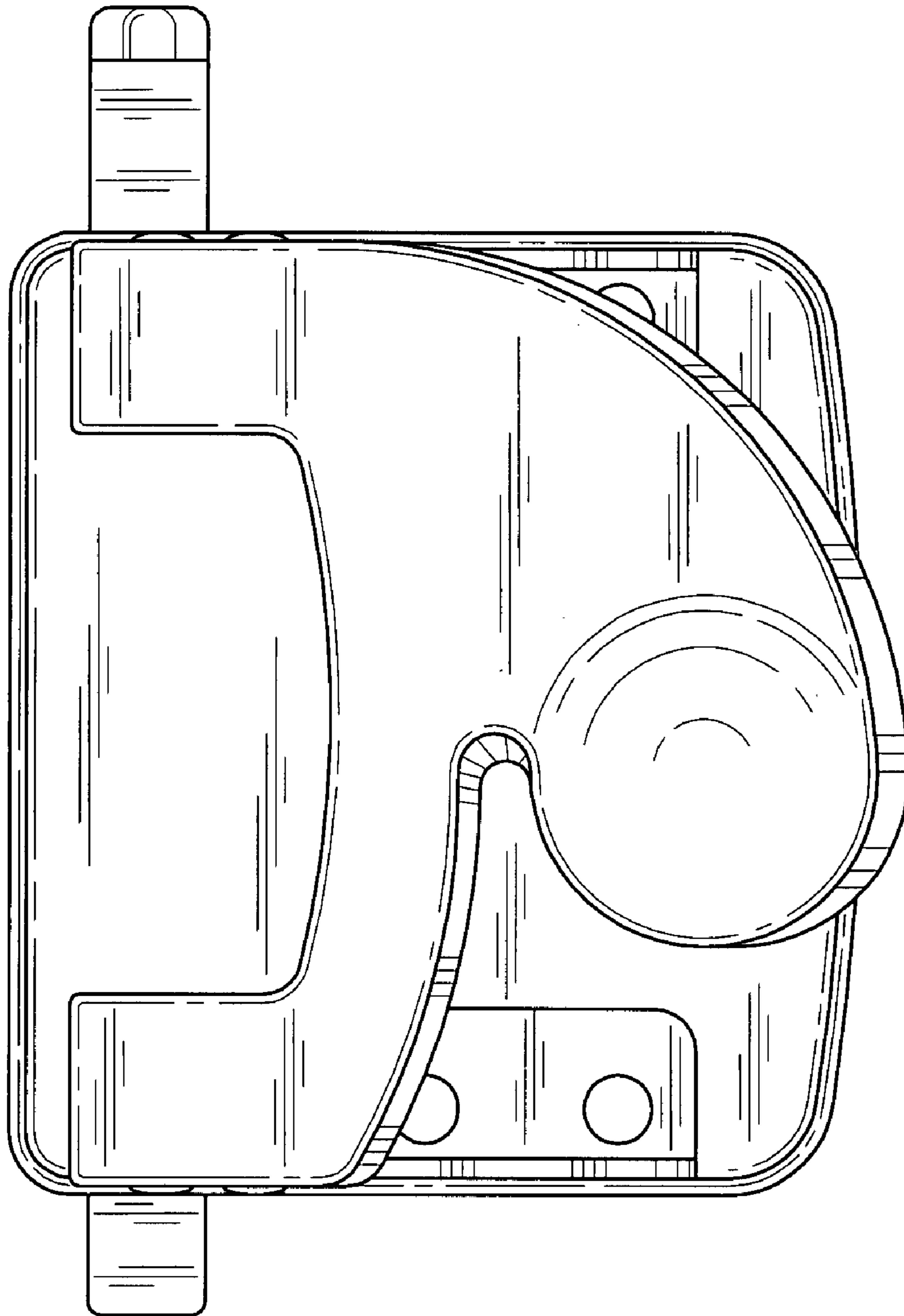


FIG. 3

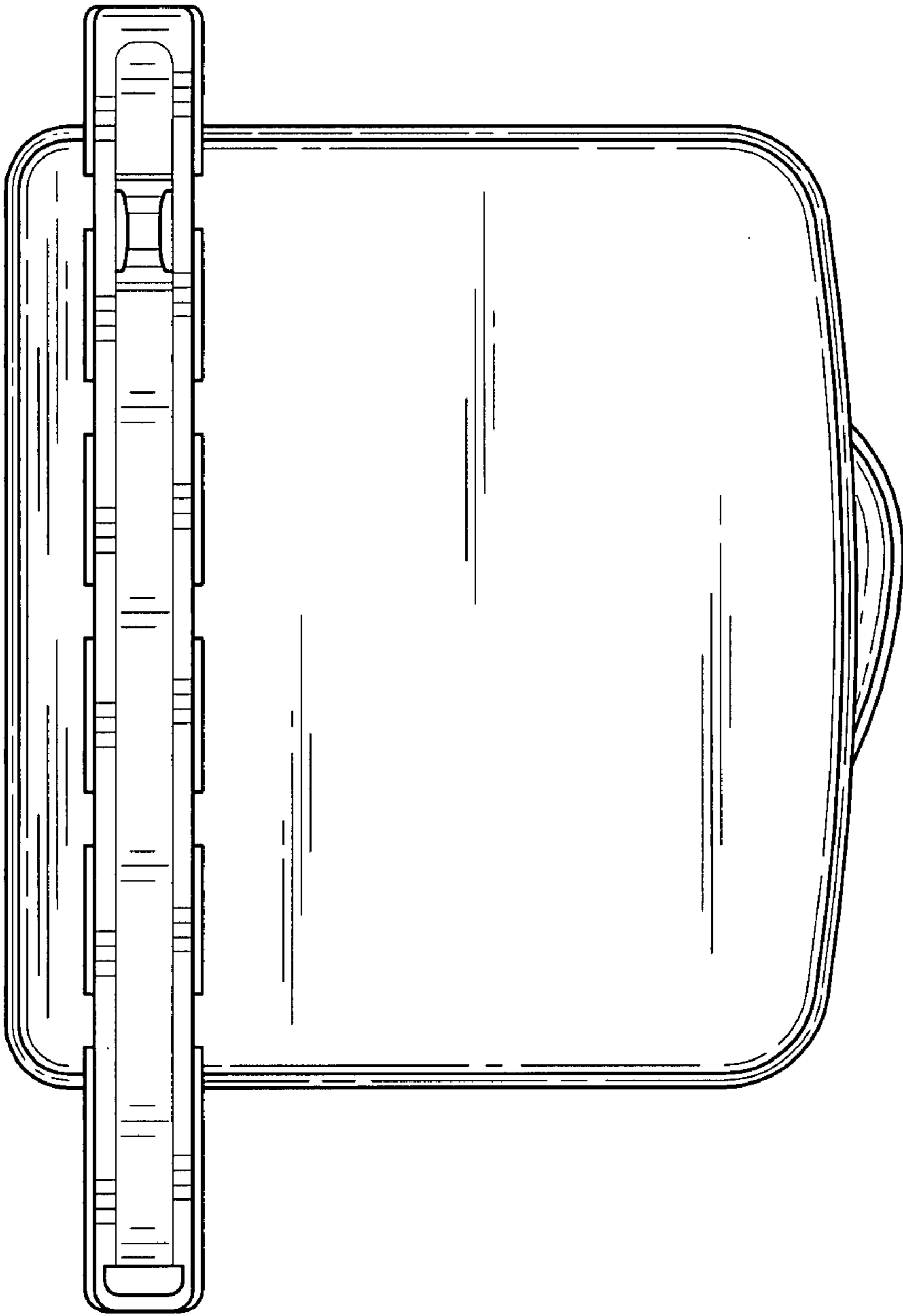


FIG. 4

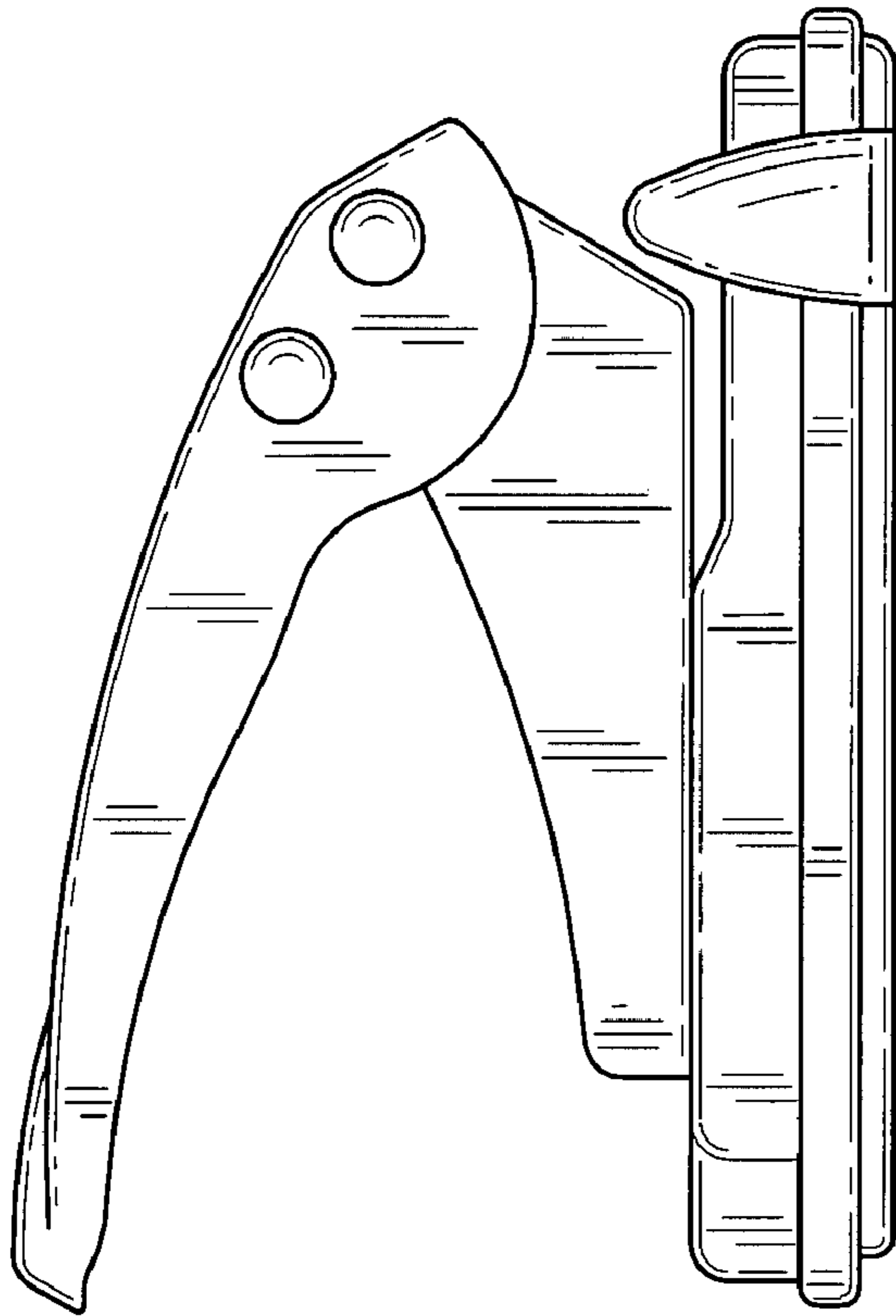


FIG. 5

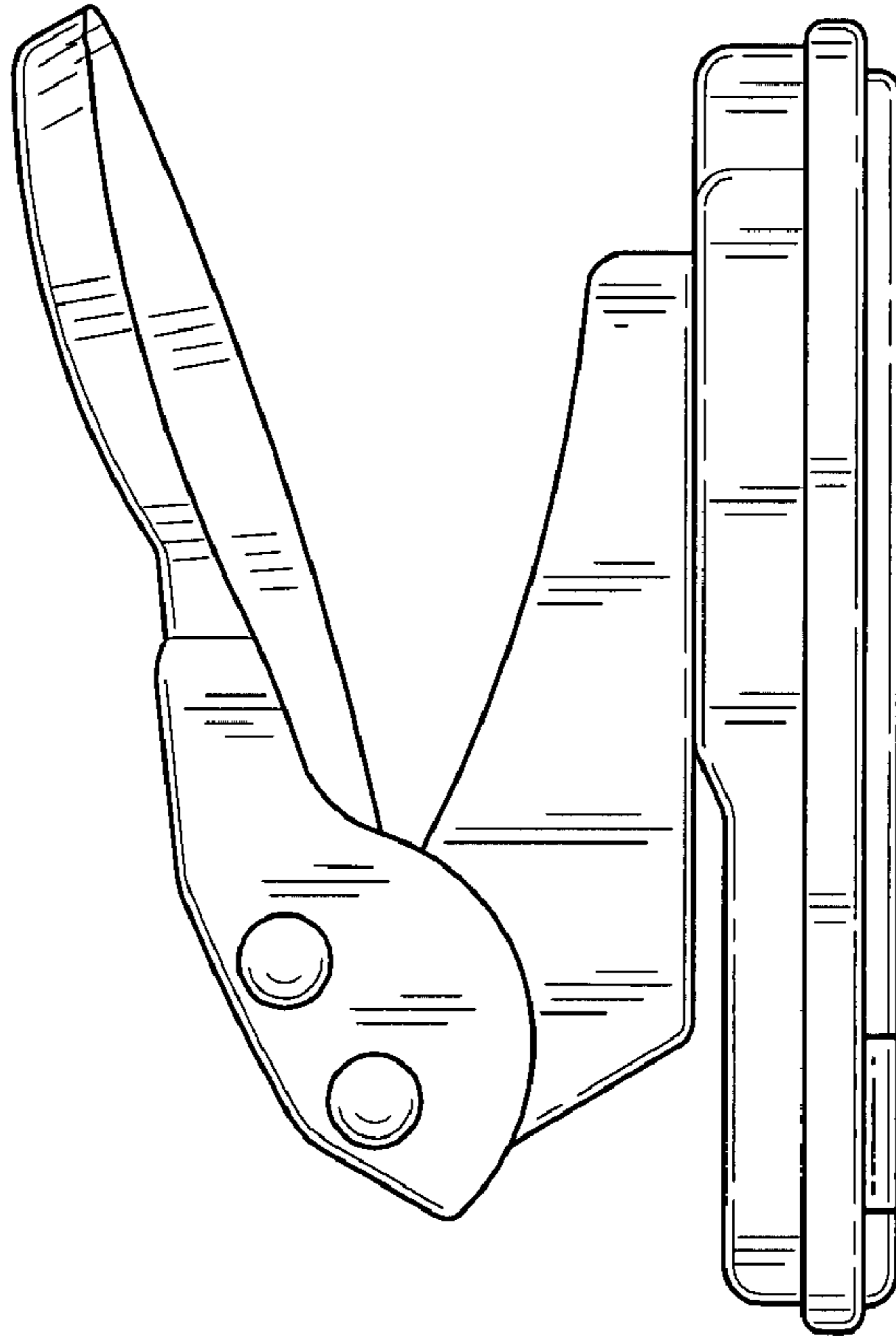


FIG. 6

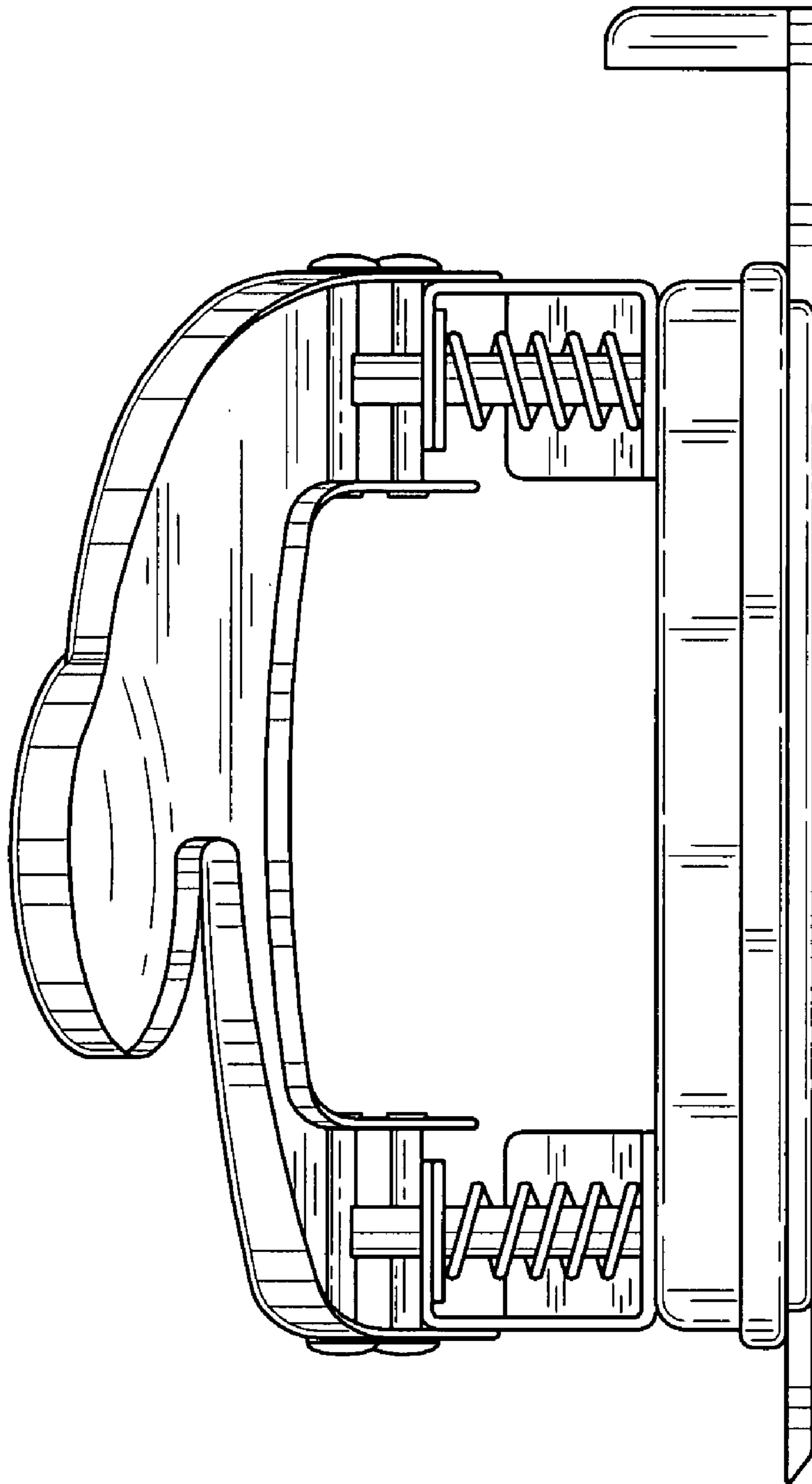


FIG. 7

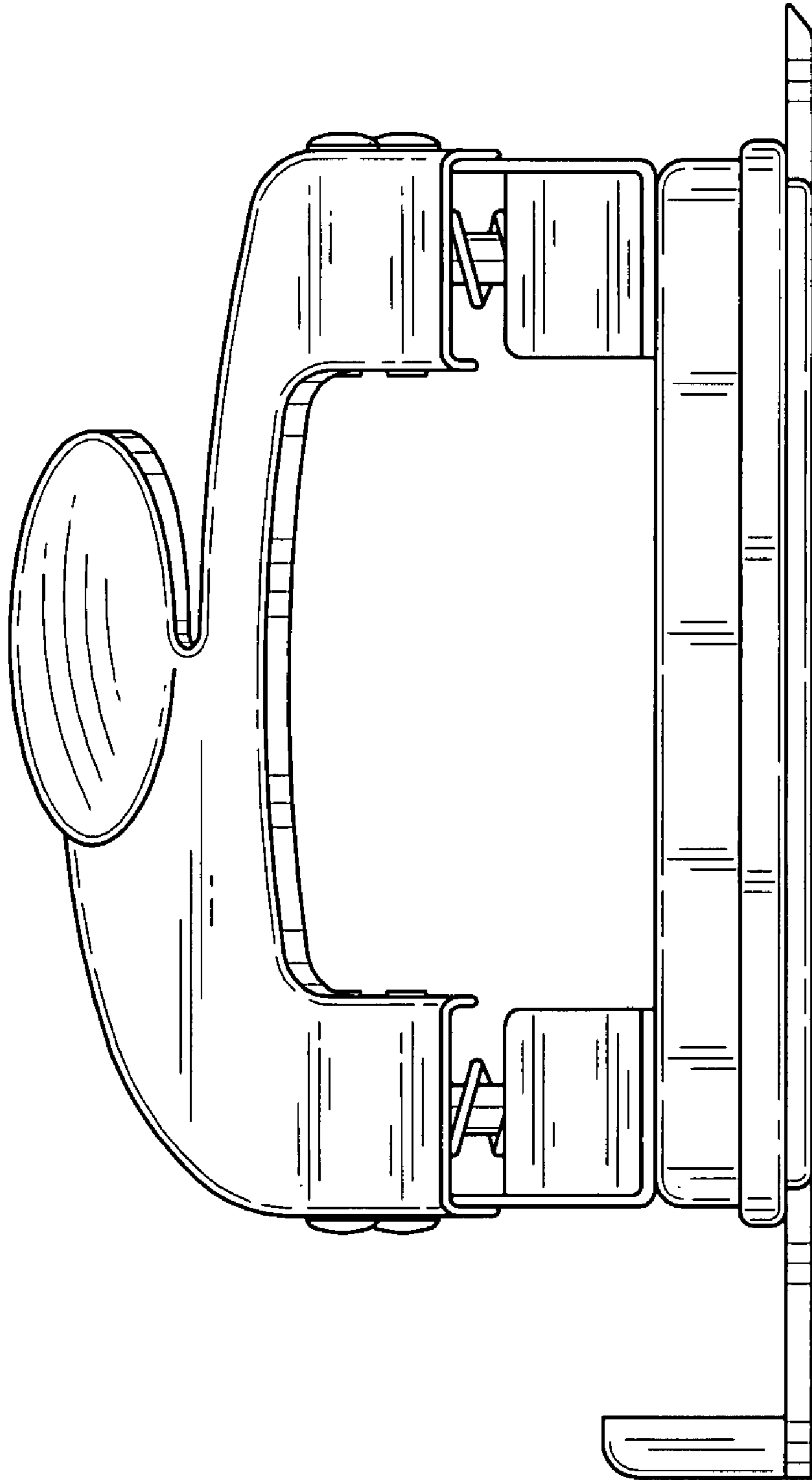


FIG. 8

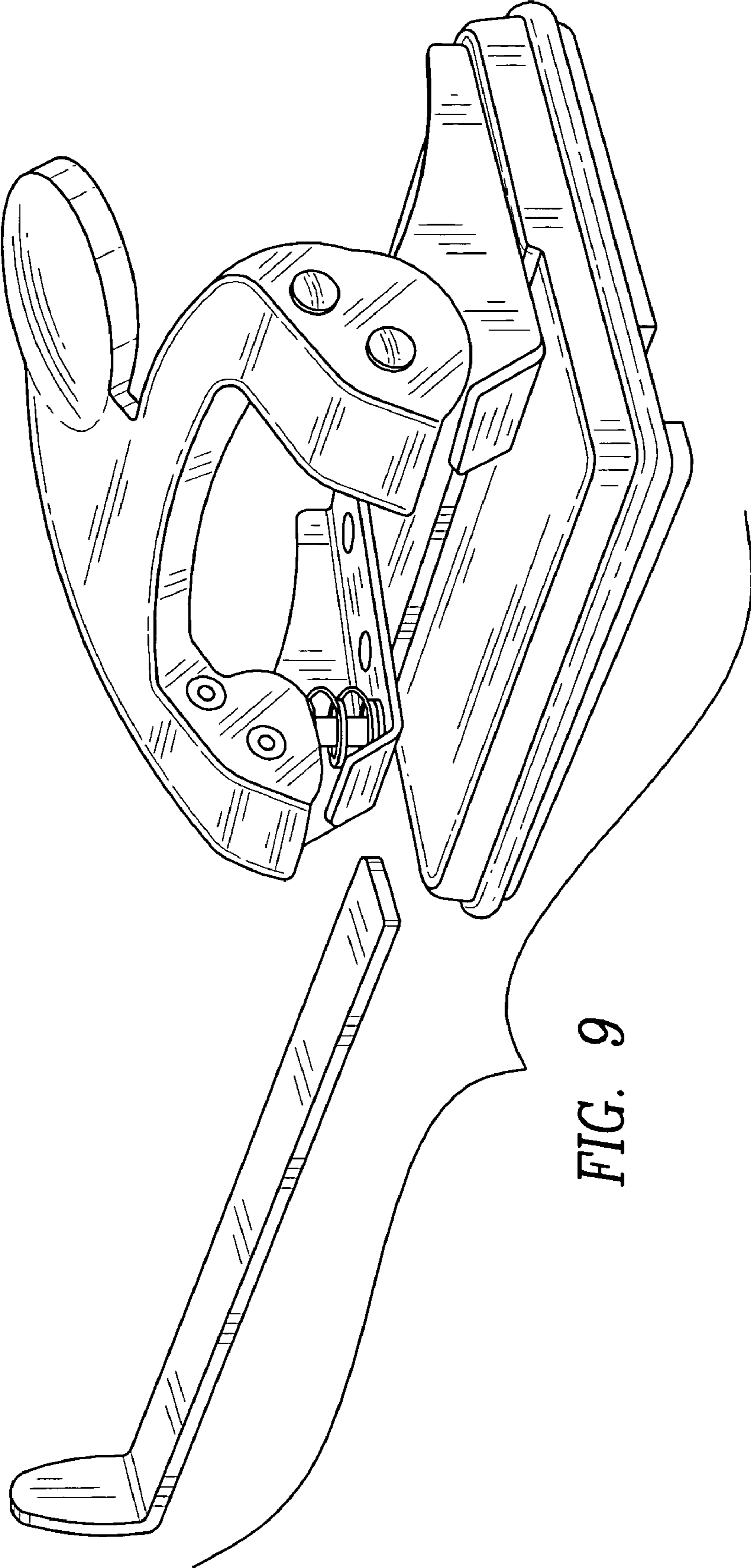


FIG. 9