



US00D567861S

(12) **United States Design Patent**
Chen et al.

(10) **Patent No.:** **US D567,861 S**

(45) **Date of Patent:** **** Apr. 29, 2008**

(54) **PAPER PUNCH**

(75) Inventors: **Peter Chen**, West Windsor, NJ (US);
Jungkun Lee, Edison, NJ (US)

(73) Assignee: **Officemate International Corp.**,
Edison, NJ (US)

(**) Term: **14 Years**

(21) Appl. No.: **29/271,793**

(22) Filed: **Jan. 26, 2007**

(51) **LOC (8) Cl.** **19-02**

(52) **U.S. Cl.** **D19/72**

(58) **Field of Classification Search** D19/49,
D19/50, 51, 72, 73; 83/684, 669, 620, 627,
83/618, 588, 563, 549, 522.19, 468, 449,
83/467.1, 277, 167; 412/42; 30/364, 363,
30/358, 233; 234/109; 156/513

See application file for complete search history.

(56) **References Cited**

U.S. PATENT DOCUMENTS

| | | | | |
|-----------|-----|---------|--------------|--------|
| 3,005,371 | A * | 10/1961 | Misson | 83/549 |
| 5,247,863 | A * | 9/1993 | Cohen | 83/167 |
| D350,564 | S * | 9/1994 | Goodin | D19/72 |
| D361,786 | S * | 8/1995 | Yang | D19/72 |
| 5,632,188 | A * | 5/1997 | Karlis | 83/167 |
| 5,797,308 | A * | 8/1998 | Evans et al. | 83/618 |
| 5,829,334 | A * | 11/1998 | Evans et al. | 83/618 |
| D445,832 | S * | 7/2001 | Chan | D19/72 |
| D468,360 | S * | 1/2003 | Chen | D19/72 |
| D468,772 | S * | 1/2003 | Robillard | D19/72 |

| | | | | |
|--------------|------|---------|----------------|--------|
| D477,846 | S * | 7/2003 | Racamier | D19/72 |
| D489,763 | S * | 5/2004 | Chen | D19/72 |
| D506,784 | S * | 6/2005 | Bodum | D19/72 |
| D541,867 | S * | 5/2007 | Kent et al. | D19/72 |
| D542,848 | S * | 5/2007 | Kent et al. | D19/72 |
| D543,243 | S * | 5/2007 | Holliday | D19/72 |
| 2002/0020272 | A1 * | 2/2002 | Godston et al. | 83/620 |
| 2004/0244553 | A1 * | 12/2004 | Rodriguez | 83/563 |
| 2004/0244554 | A1 * | 12/2004 | Rodriguez | 83/563 |
| 2006/0144206 | A1 * | 7/2006 | Lee | 83/684 |

* cited by examiner

Primary Examiner—Cathron C. Brooks

Assistant Examiner—Austin Murphy

(74) *Attorney, Agent, or Firm*—Daniel Kirshner

(57) **CLAIM**

The ornamental design for a paper punch, as shown and described.

DESCRIPTION

FIG. 1 is a front perspective view of a paper punch showing the new design;

FIG. 2 is a rear perspective view thereof;

FIG. 3 is a top view thereof;

FIG. 4 is bottom view thereof;

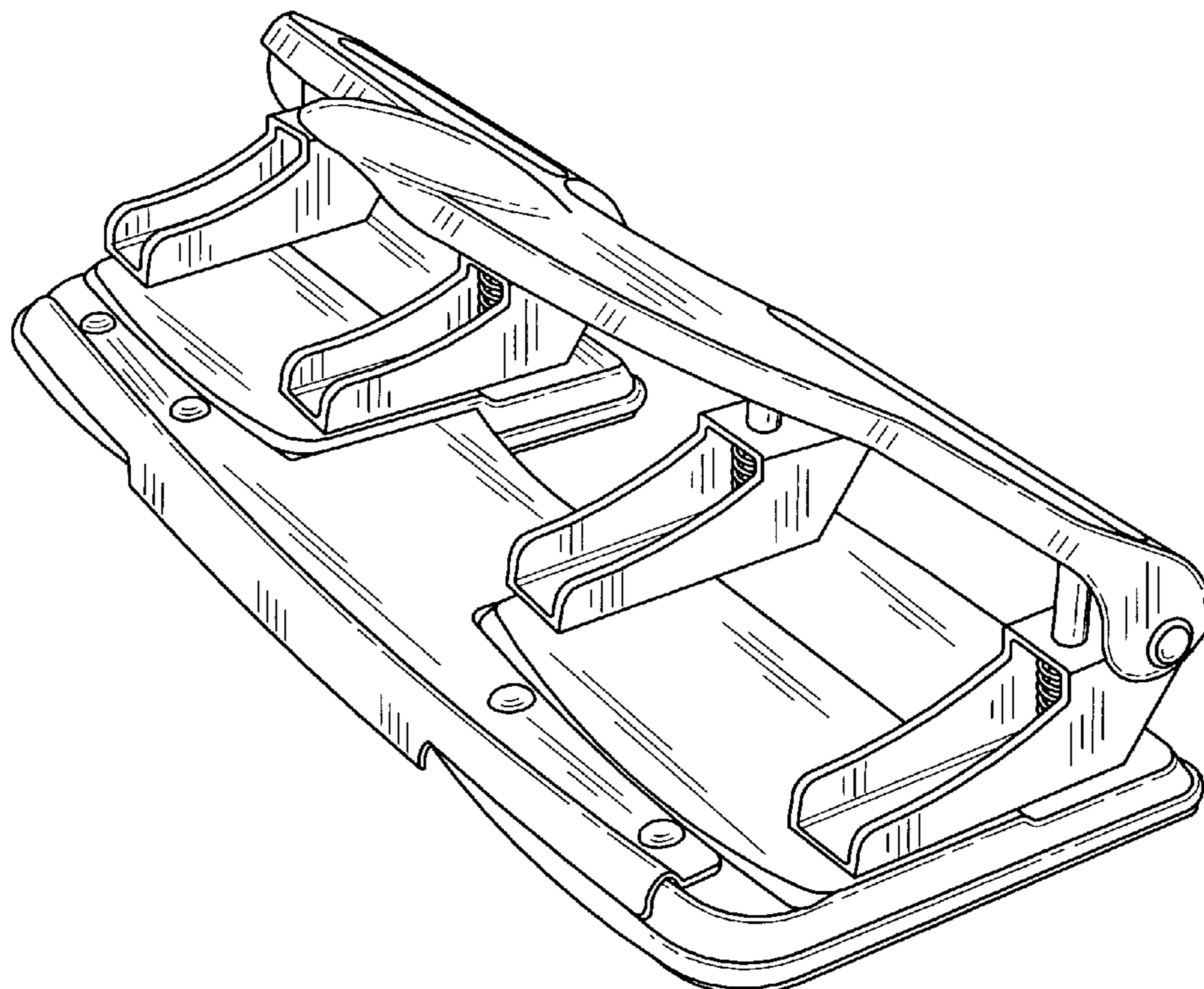
FIG. 5 is a rear elevational view thereof;

FIG. 6 is a front elevational thereof;

FIG. 7 is a right side elevational view thereof; and,

FIG. 8 is a left side elevational view thereof.

1 Claim, 8 Drawing Sheets



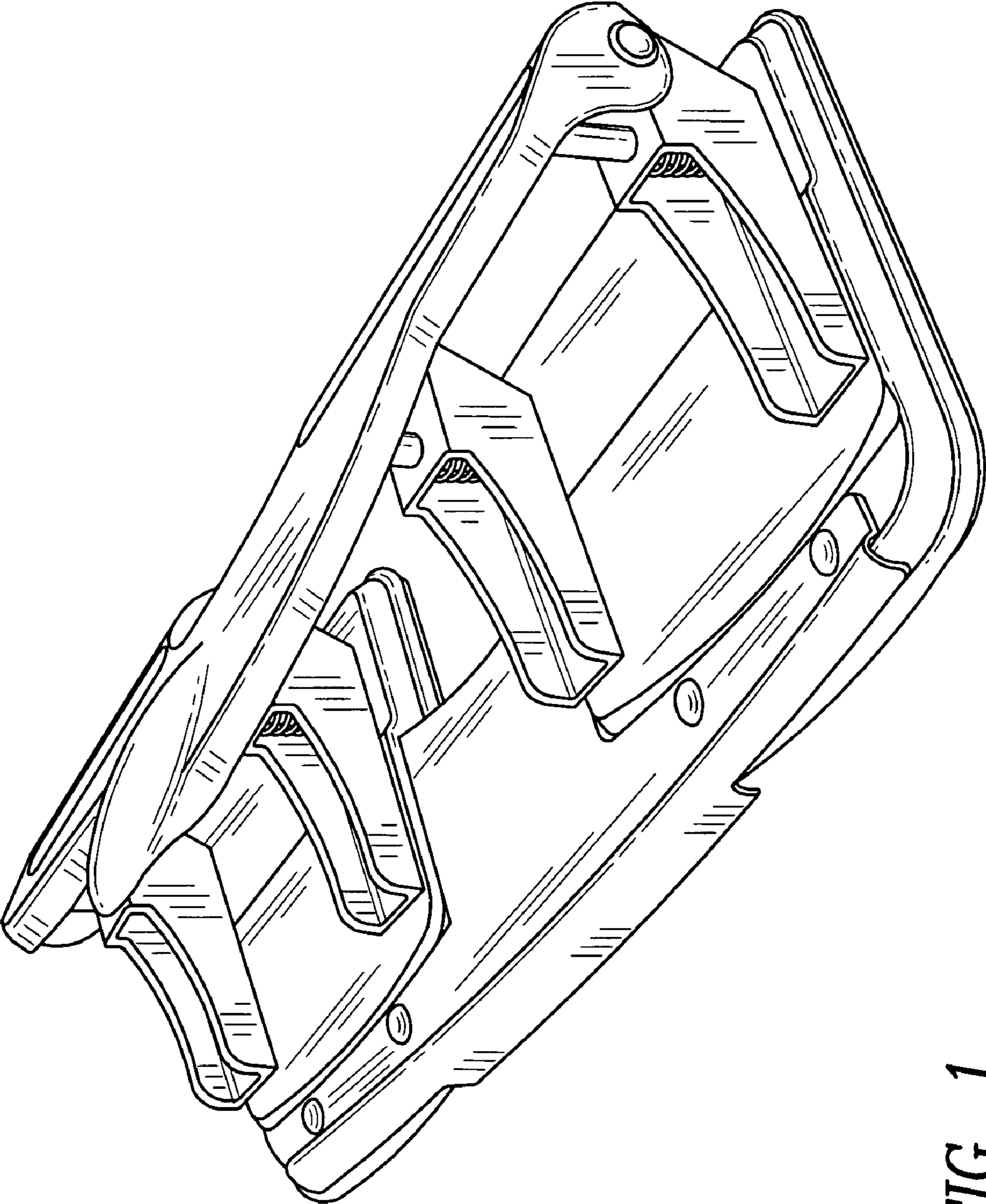


FIG. 1

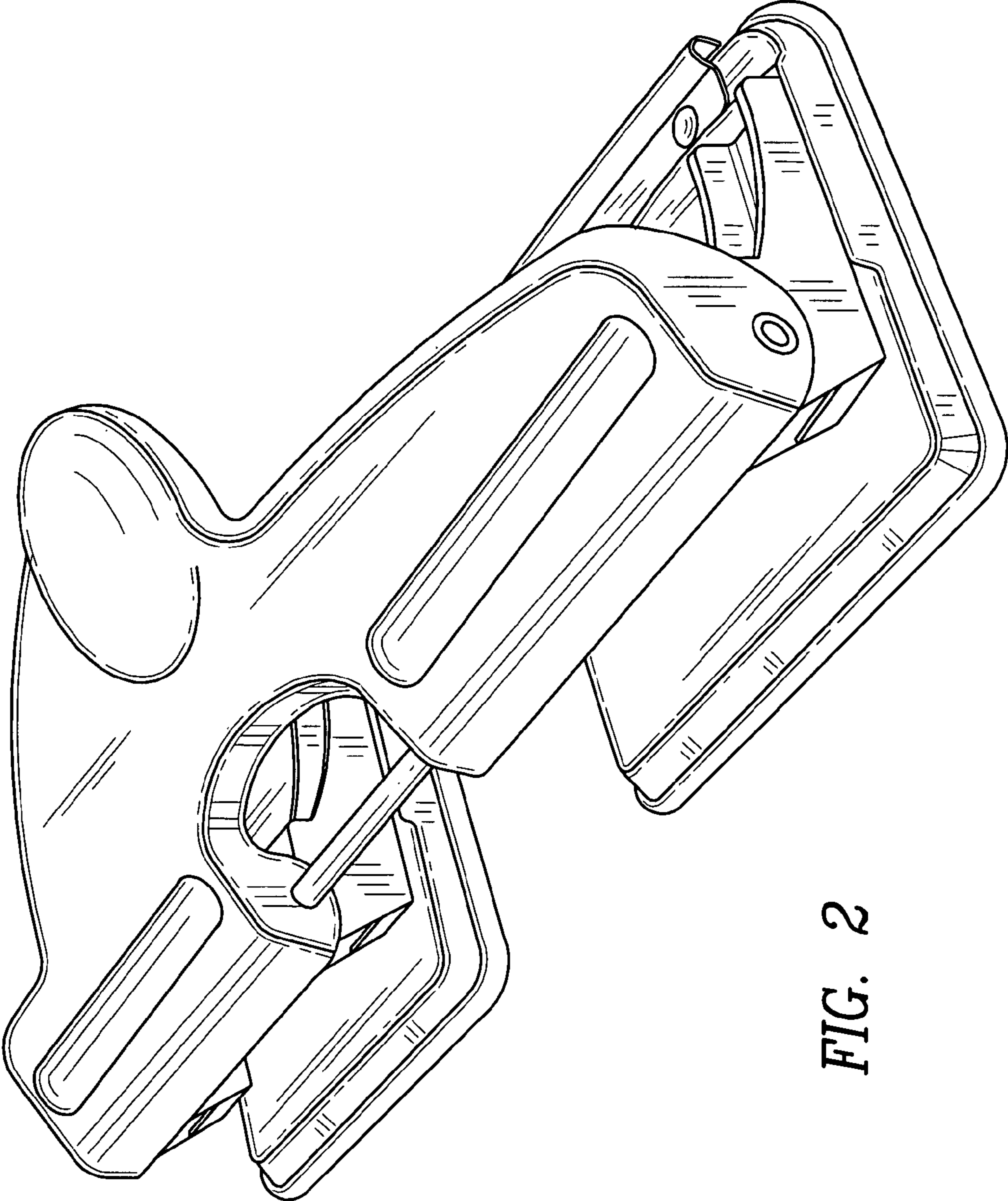


FIG. 2

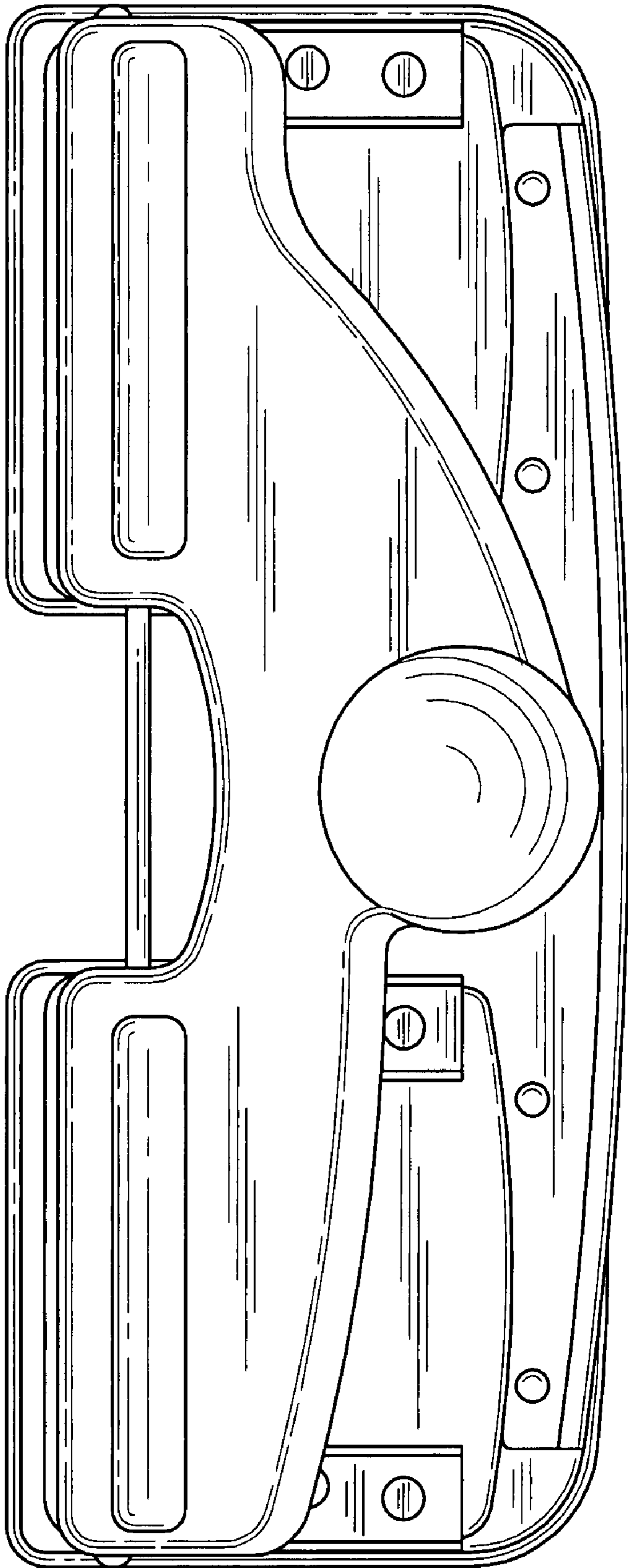


FIG. 3

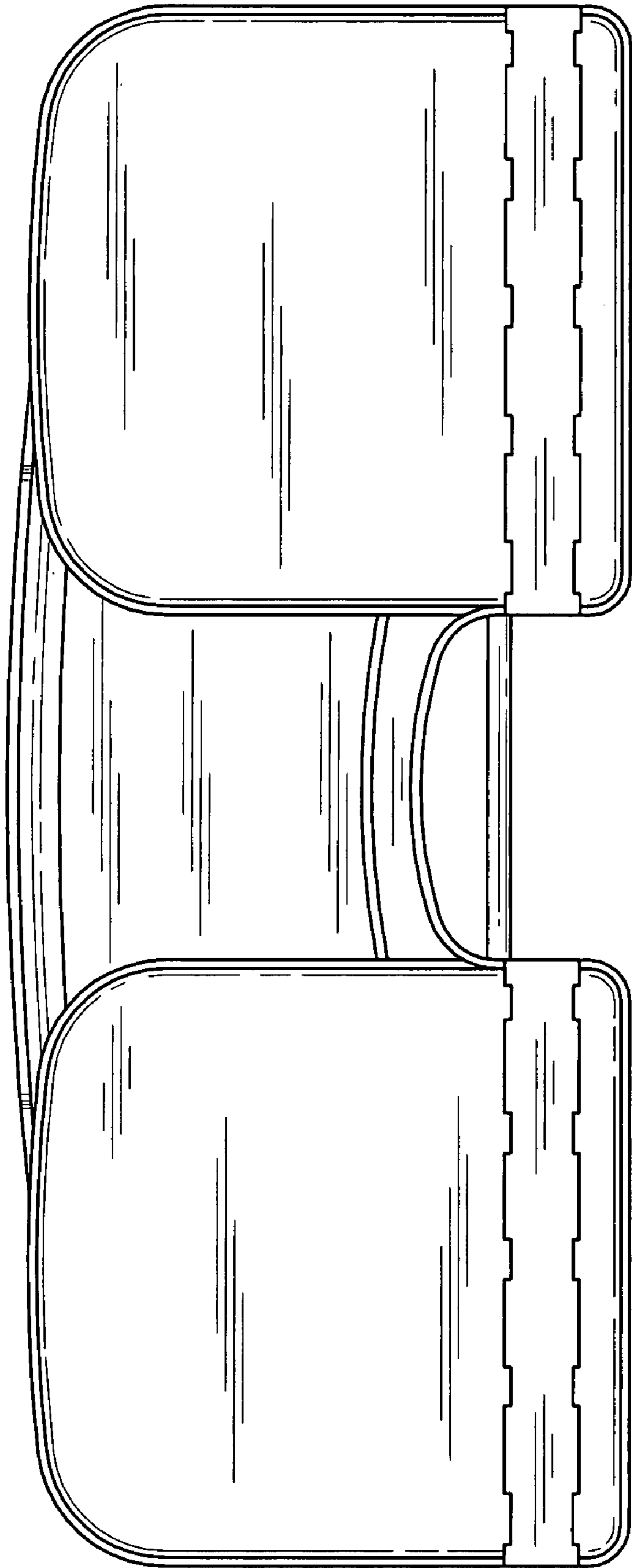


FIG. 4

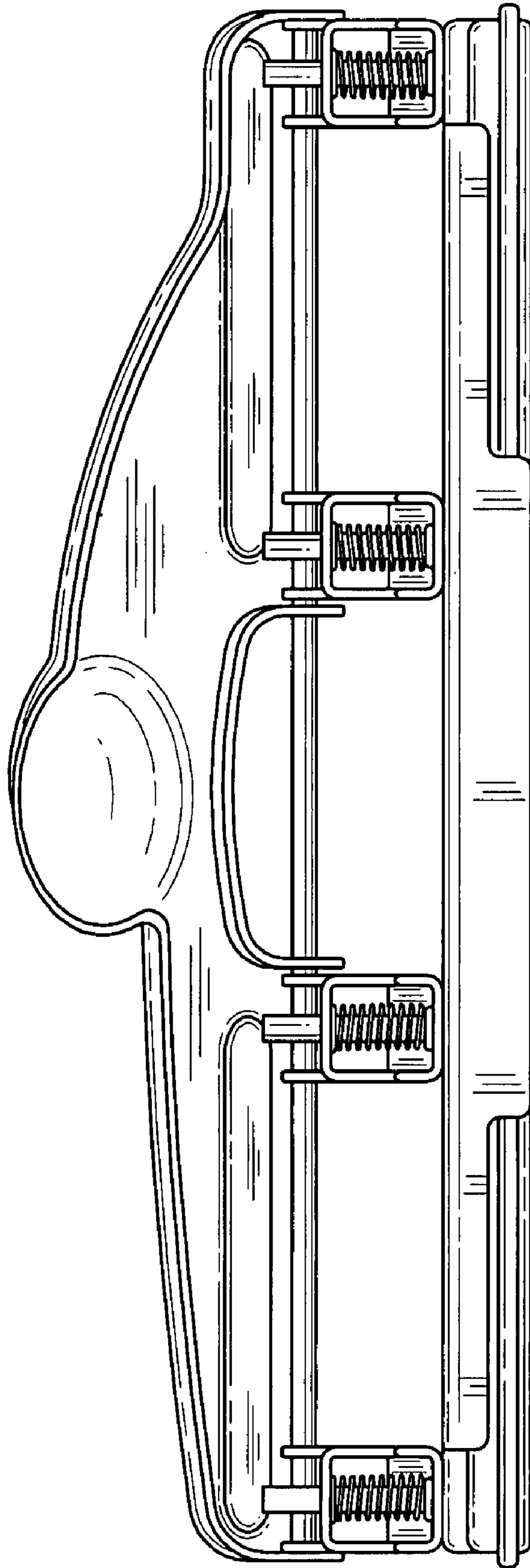


FIG. 5

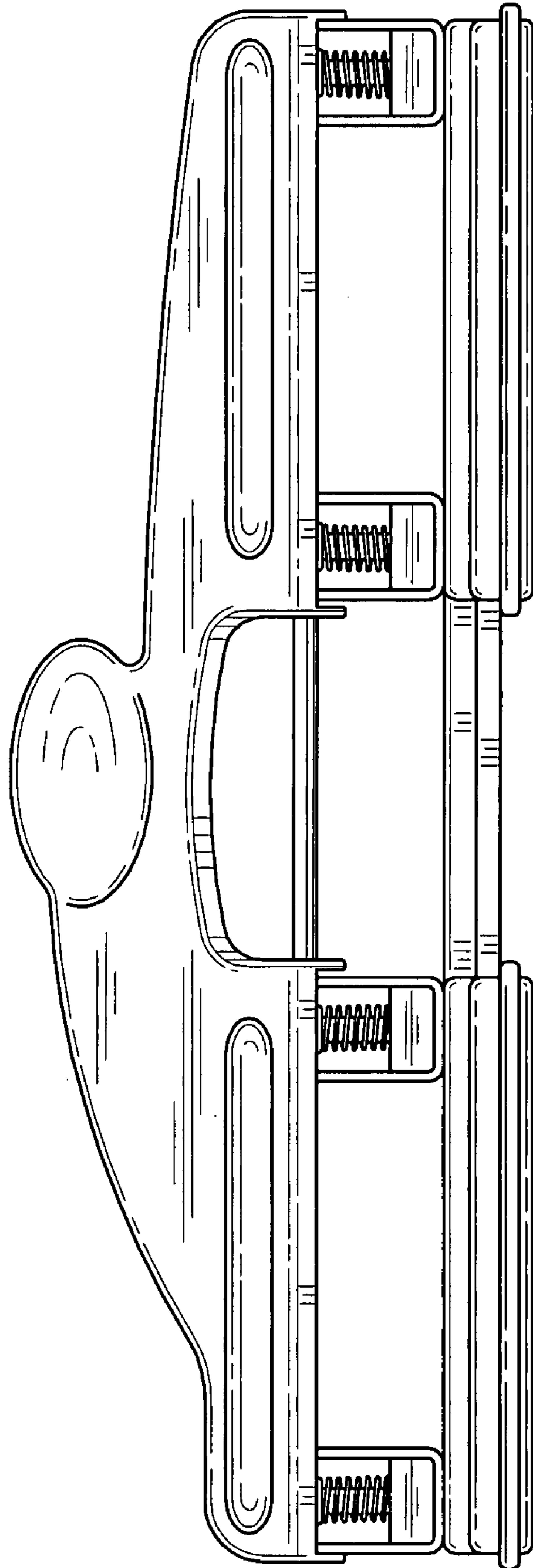


FIG. 6

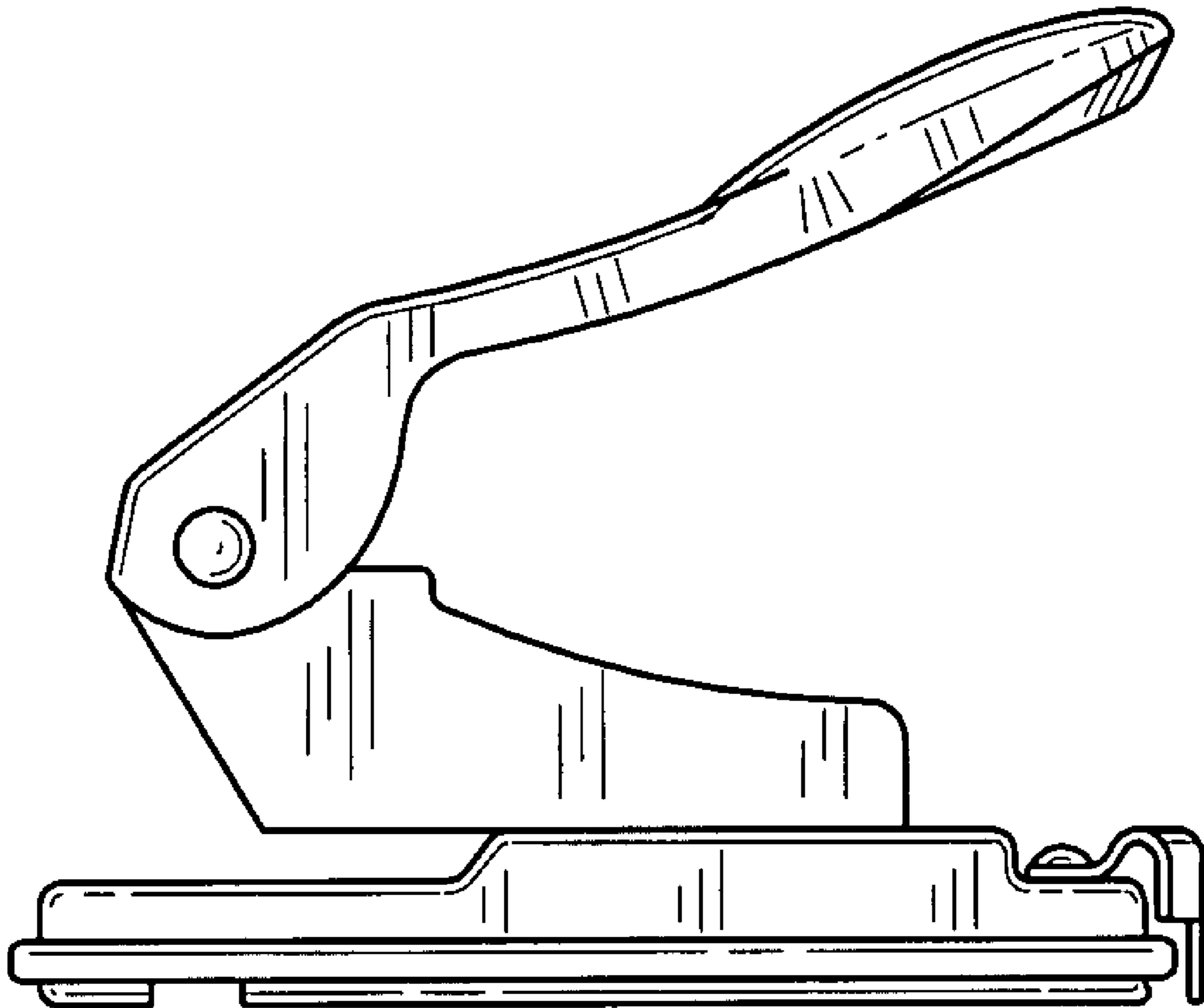


FIG. 7

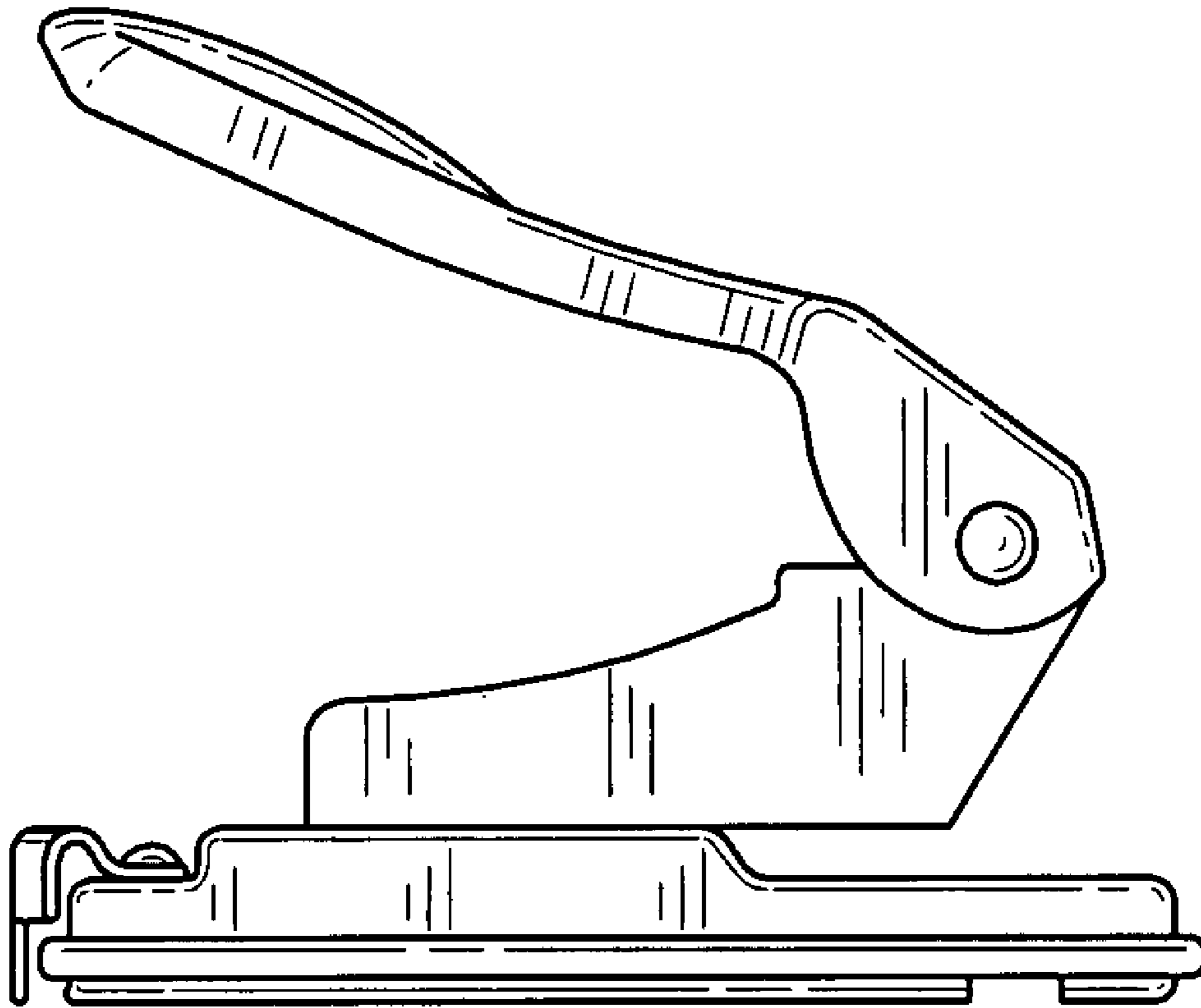


FIG. 8