

US00D567851S

(12) **United States Design Patent**
Uchibayashi

(10) **Patent No.:** **US D567,851 S**

(45) **Date of Patent:** **** Apr. 29, 2008**

(54) **BALLPOINT PEN**

(75) Inventor: **Hideyuki Uchibayashi**, c/o Roxy GmbH, 2-6-20, Minamimizumoto, Katsushika-ku, Tokyo (JP) 124-0035

(73) Assignees: **Roxy GmbH**, Tokyo (JP); **Hideyuki Uchibayashi**, Tokyo (JP)

(**) Term: **14 Years**

(21) Appl. No.: **29/268,066**

(22) Filed: **Oct. 30, 2006**

(30) **Foreign Application Priority Data**

Apr. 28, 2006 (JP) D2006-011340

(51) **LOC (8) Cl.** **19-06**

(52) **U.S. Cl.** **D19/41**

(58) **Field of Classification Search** D19/35,
D19/36, 41-51, 53-57; 24/11 R, 11 F, 11 P;
401/52, 99, 100, 104, 105, 106, 107, 108,
401/109, 192, 195, 196

See application file for complete search history.

(56) **References Cited**

U.S. PATENT DOCUMENTS

D35,128 S *	9/1901	Schupp	D19/51
1,810,109 A *	6/1931	McEnery	401/52
3,257,991 A *	6/1966	Mosch	401/29
D206,875 S *	2/1967	Mosch	D8/99
4,081,217 A *	3/1978	Klaber	401/131
4,149,812 A *	4/1979	Huffman, Jr.	401/6
4,549,827 A *	10/1985	Mack	401/29
6,464,419 B1 *	10/2002	Chan	401/131
D469,806 S *	2/2003	Chan	D19/46
D498,259 S *	11/2004	Kung	D19/46
D526,682 S *	8/2006	Ortiz et al.	D19/36
D534,212 S *	12/2006	Chan	D19/46

* cited by examiner

Primary Examiner—Elizabeth A. Albert
(74) *Attorney, Agent, or Firm*—Rader, Fishman & Grauer, PLLC

(57) **CLAIM**

The ornamental design for a ballpoint pen, as shown and described.

DESCRIPTION

FIG. 1 is a perspective view of a ballpoint pen showing my new design;

FIG. 2 is a front elevational view thereof;

FIG. 3 is a top plan view thereof;

FIG. 4 is a right side elevational view thereof;

FIG. 5 is a left side elevational view thereof;

FIG. 6 is a rear elevational view thereof; and

FIG. 7 is a bottom plan view thereof.

FIG. 8 is a perspective view thereof in a state where a clip portion of the ballpoint pen is in the open position and a ballpoint pen refill is extended from the body of the ballpoint pen;

FIG. 9 is a front elevational view on a slightly smaller scale thereof in the state where a clip portion of the ballpoint pen is in the open position and a ballpoint pen refill is extended from the body of the ball point pen;

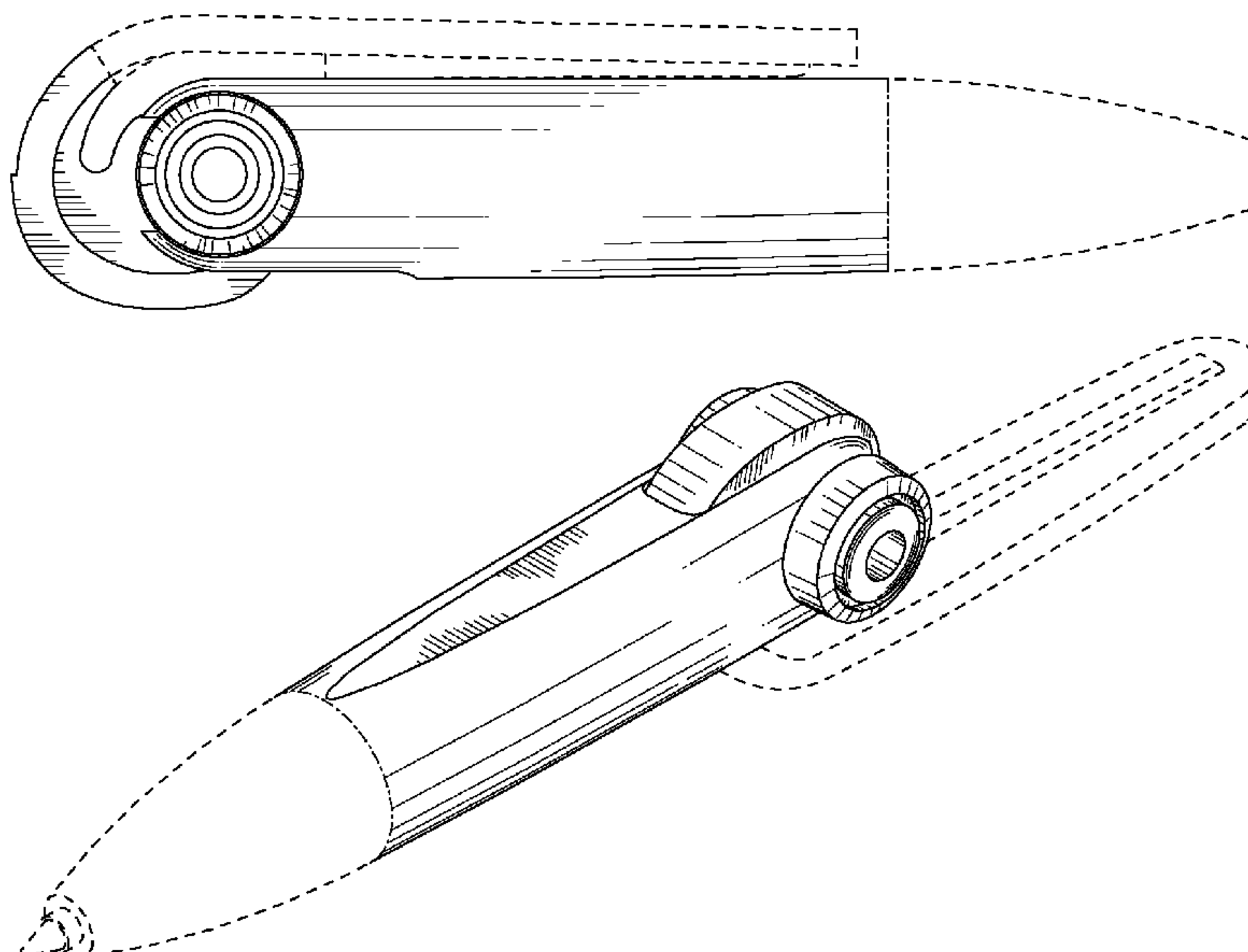
FIG. 10 is a top plan view thereof; and,

FIG. 11 is a bottom plan view thereof.

The even broken line showings in the figures are for illustrative purpose only and form no part of the claimed design.

The dot-dash broken lines which define the bounds of the claimed design form no part thereof.

1 Claim, 11 Drawing Sheets



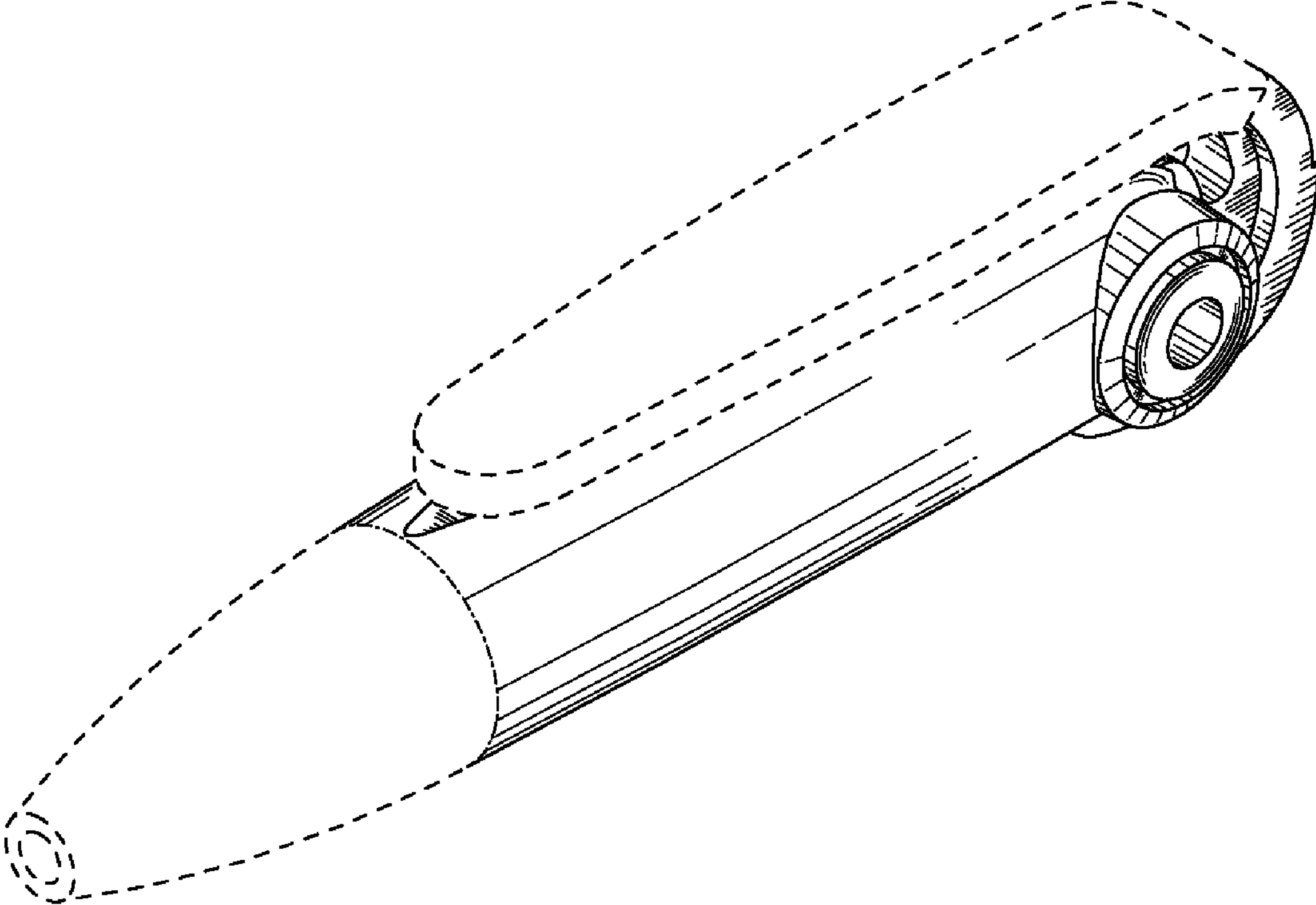


FIG.1

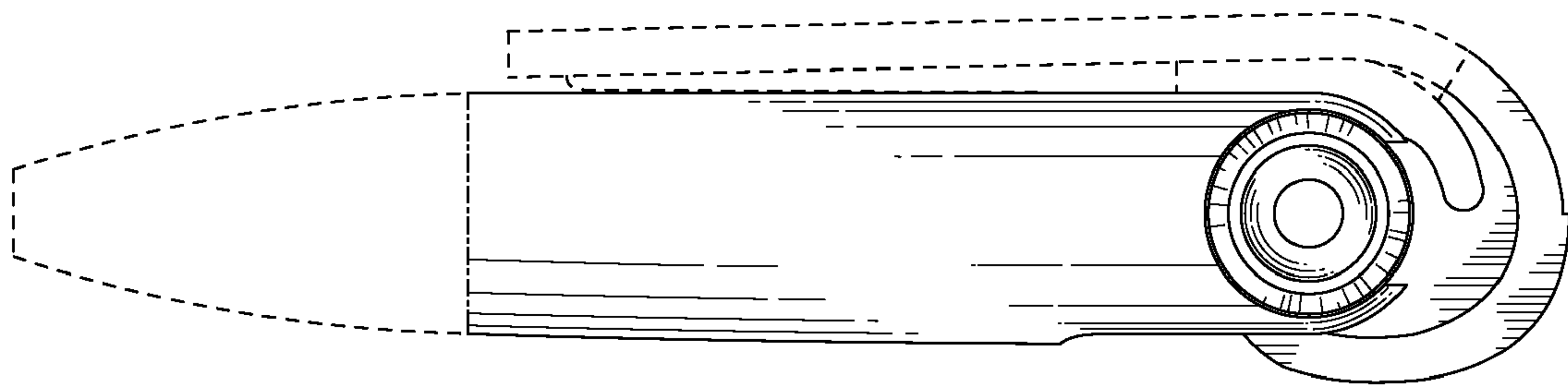


FIG.2

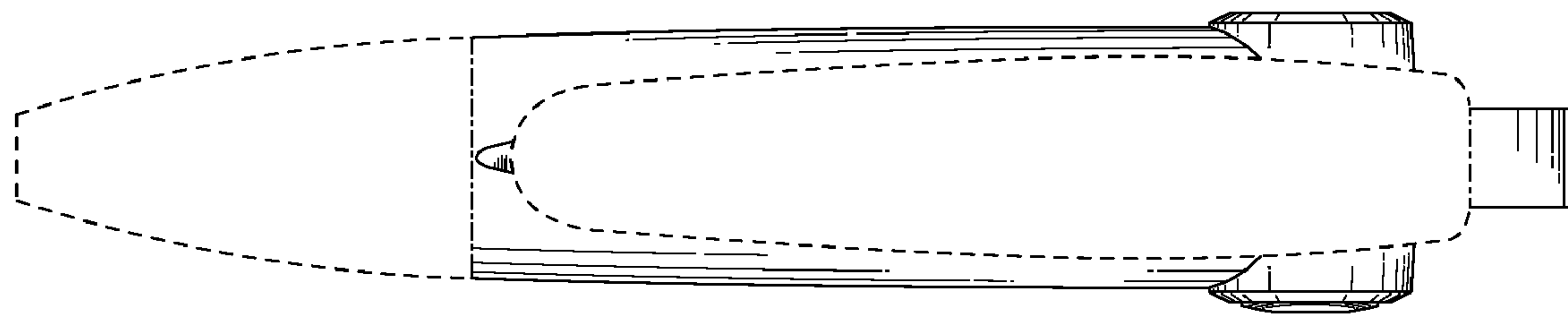


FIG.3

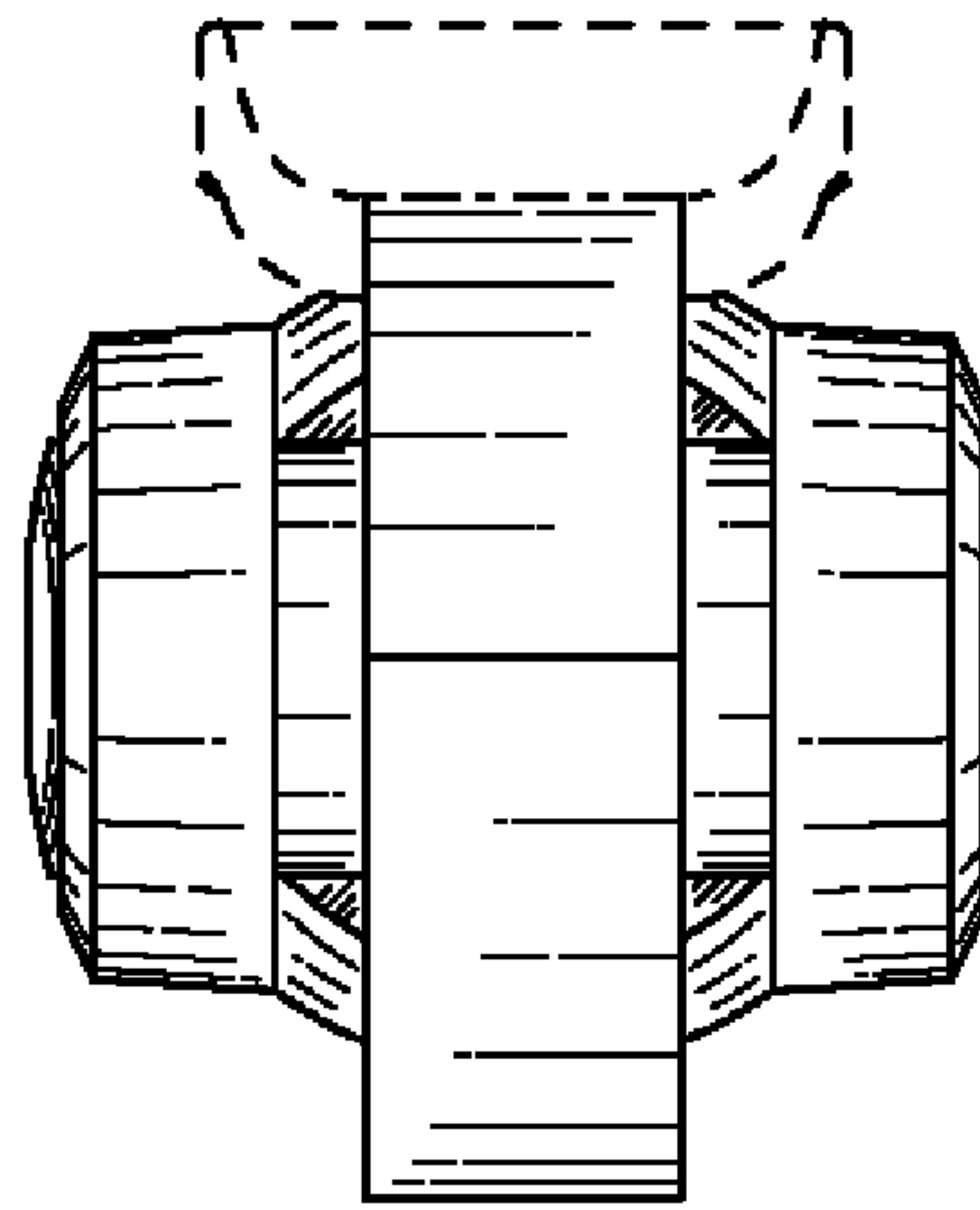


FIG.4

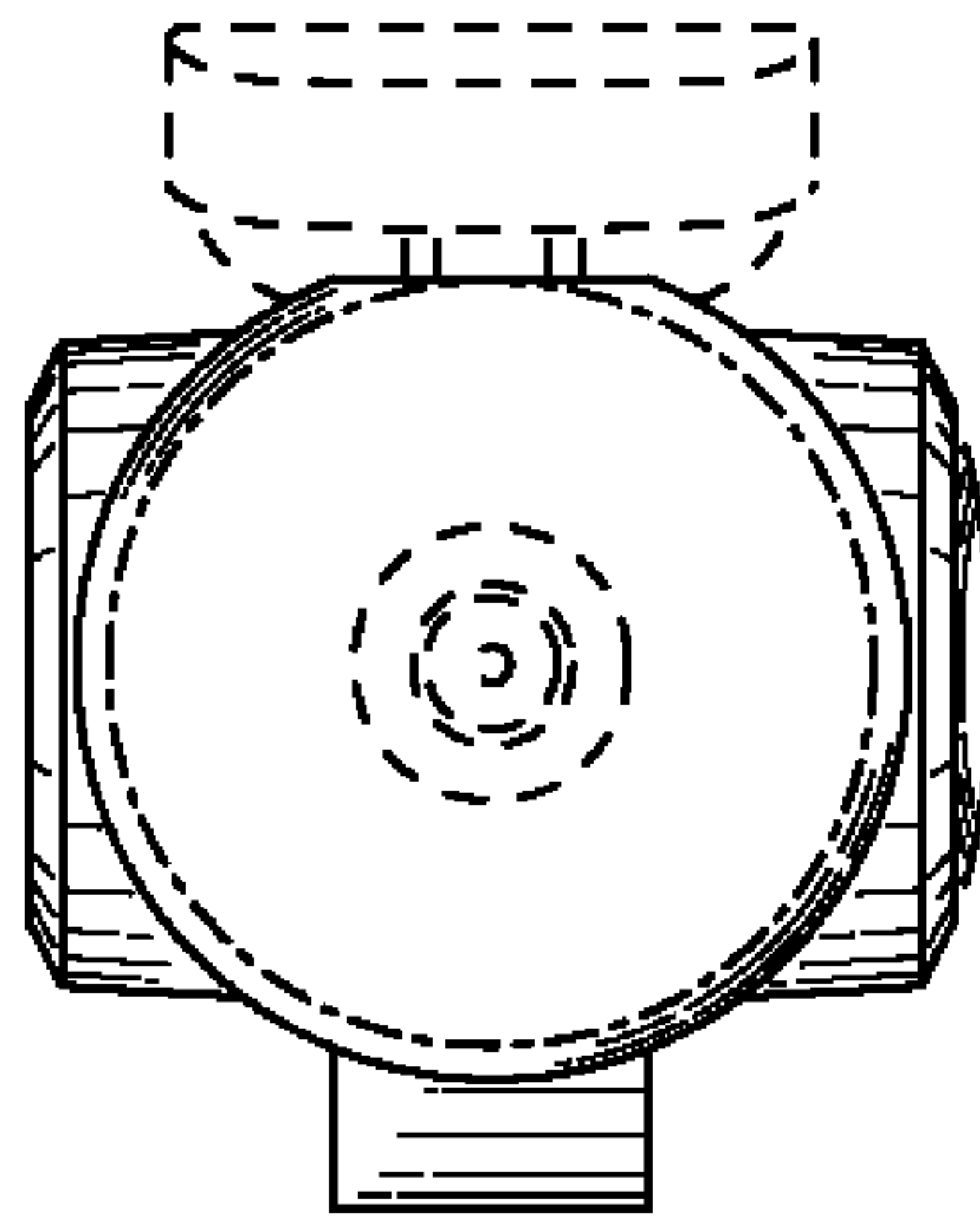


FIG.5

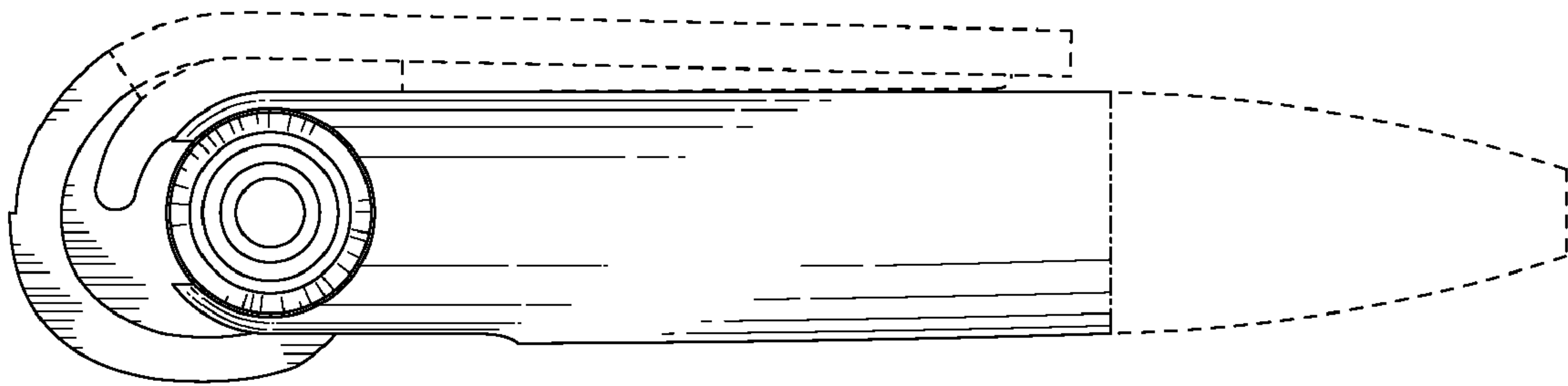


FIG.6

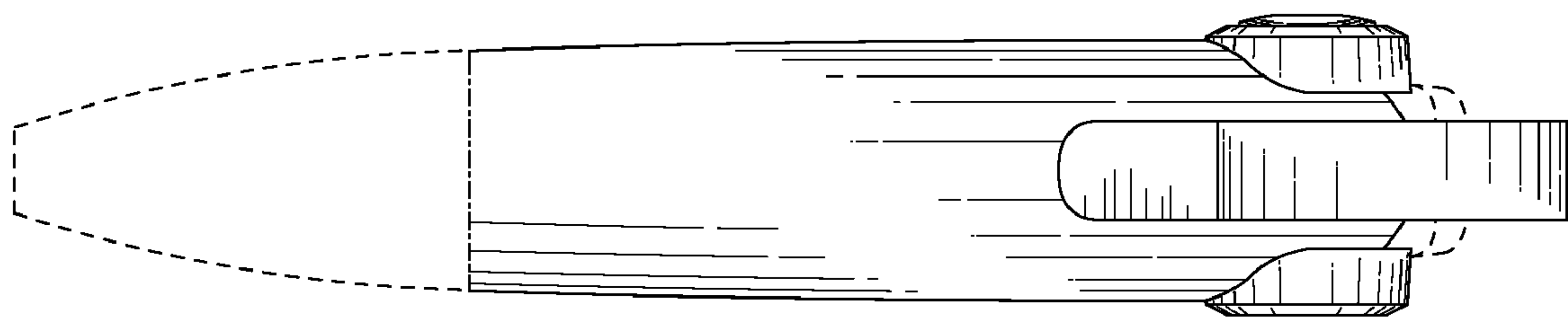


FIG.7

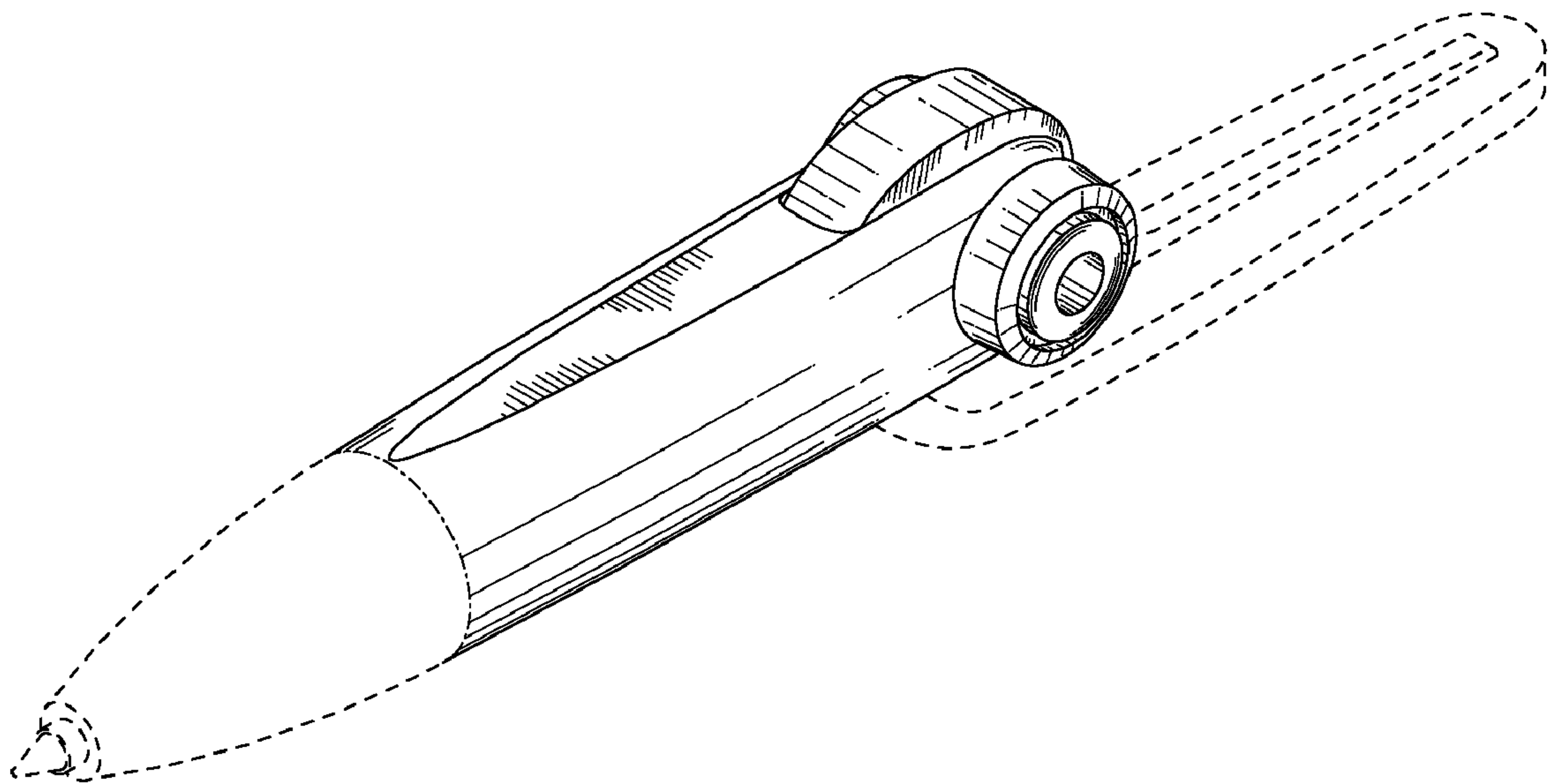


FIG.8

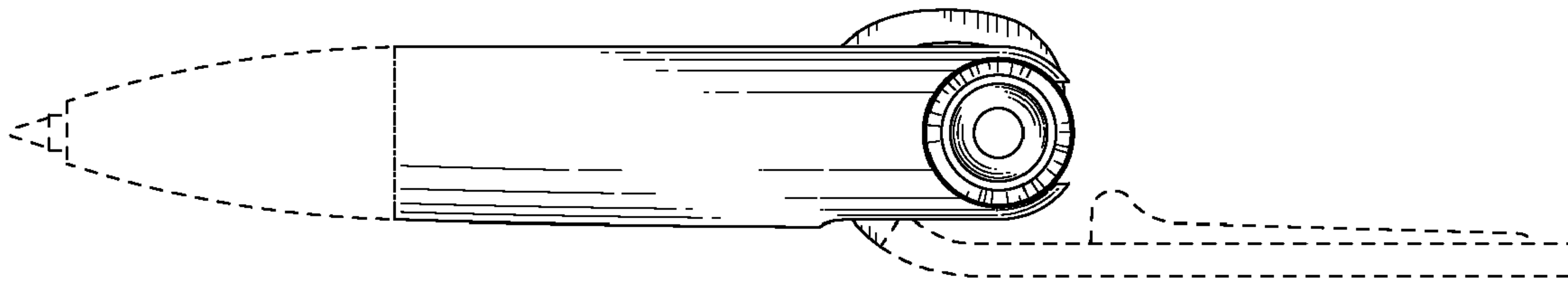


FIG.9

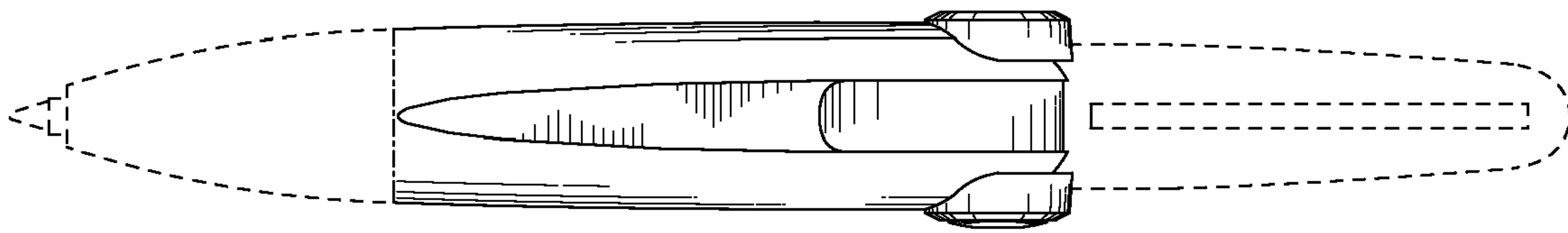


FIG.10

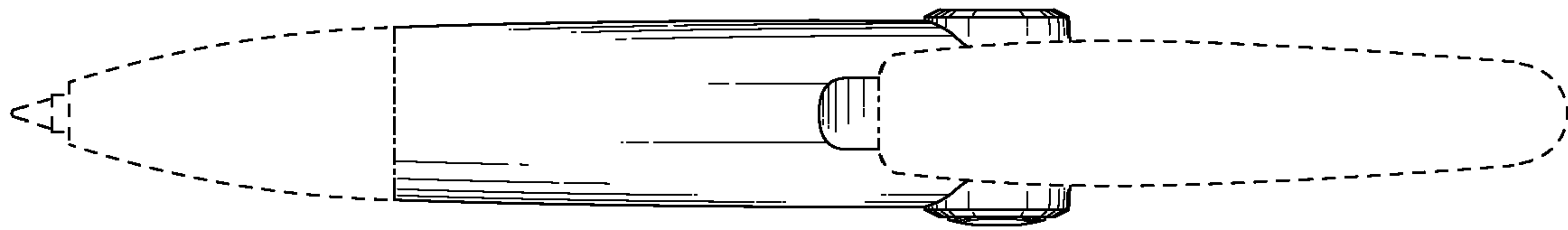


FIG.11