



US00D567849S

(12) **United States Design Patent** (10) **Patent No.:** **US D567,849 S**  
**Bharma** (45) **Date of Patent:** **\*\* Apr. 29, 2008**

(54) **COVER OF A BOOK OR SIMILAR ARTICLE** D316,108 S 4/1991 Gerriet

(75) Inventor: **Supriti Bharma**, Vancouver (CA)

(73) Assignee: **Hartley & Marks Publishers, Inc.**,  
Vancouver (CA)

(\*\*) Term: **14 Years**

(21) Appl. No.: **29/253,105**

(22) Filed: **Jan. 31, 2006**

(51) **LOC (8) Cl.** ..... **19-04**

(52) **U.S. Cl.** ..... **D19/26**

(58) **Field of Classification Search** ..... D19/26-33;  
D3/247, 249, 243-245, 201, 276, 273-274,  
D3/294, 299, 303; 281/29, 38, 27.3, 15,  
281/15.1; 402/3-4, 31, 19

See application file for complete search history.

(56) **References Cited**

**U.S. PATENT DOCUMENTS**

201,450 A	3/1878	Reynolds	
D11,686 S	3/1880	Bainbridge	D19/3
467,821 A	1/1892	Mets	
673,387 A	5/1901	Dean	402/68
941,525 A	11/1909	Landenberger	229/75
1,023,834 A	4/1912	Gareis	281/31
D118,491 S	1/1940	Bach	D3/249
2,287,149 A	6/1942	Rudoll	
D135,980 S	7/1943	Bach	D3/249
D135,981 S	7/1943	Bach	D3/249
D187,321 S	2/1950	Mayer	D3/247
2,533,590 A	12/1950	Kutik, Jr.	
D182,059 S	2/1958	Chase	D3/233
2,964,227 A	12/1960	Goldsholl	
3,010,571 A	11/1961	Transport	
D250,171 S	11/1978	Yoshimoto	
4,484,768 A	11/1984	Norfleet	
4,749,121 A	6/1988	Barber et al.	
D300,688 S	4/1989	Marks	D3/265
D302,698 S	8/1989	Rexroat et al.	D19/26
D304,343 S	10/1989	Popat et al.	
D308,225 S	5/1990	Dressler	
4,940,352 A	7/1990	Kratzert et al.	402/13

(Continued)

**OTHER PUBLICATIONS**

International Designs Bulletin, Feb. 28, 1997. pp. 6995-6998.

*Primary Examiner*—Elizabeth A. Albert

*Assistant Examiner*—Kelley A. Donnelly

(74) *Attorney, Agent, or Firm*—Wells St. John

(57) **CLAIM**

I claim the ornamental design for a cover of a book or similar article, as shown and described.

**DESCRIPTION**

FIG. 1 is a front perspective view for a cover of a book or similar article in a closed position showing my new design.

FIG. 2 is a front elevational view thereof;

FIG. 3 is a rear elevational view thereof;

FIG. 4 is a left side elevational view thereof;

FIG. 5 is a right side elevational view thereof;

FIG. 6 is a top plan view thereof;

FIG. 7 is a bottom plan view thereof;

FIG. 8 is a front perspective view of the FIG. 1 embodiment illustrating the cover in an open position;

FIG. 9 is a front elevational view of FIG. 8;

FIG. 10 is a rear elevational view of FIG. 8

FIG. 11 is a left side elevational view of FIG. 8;

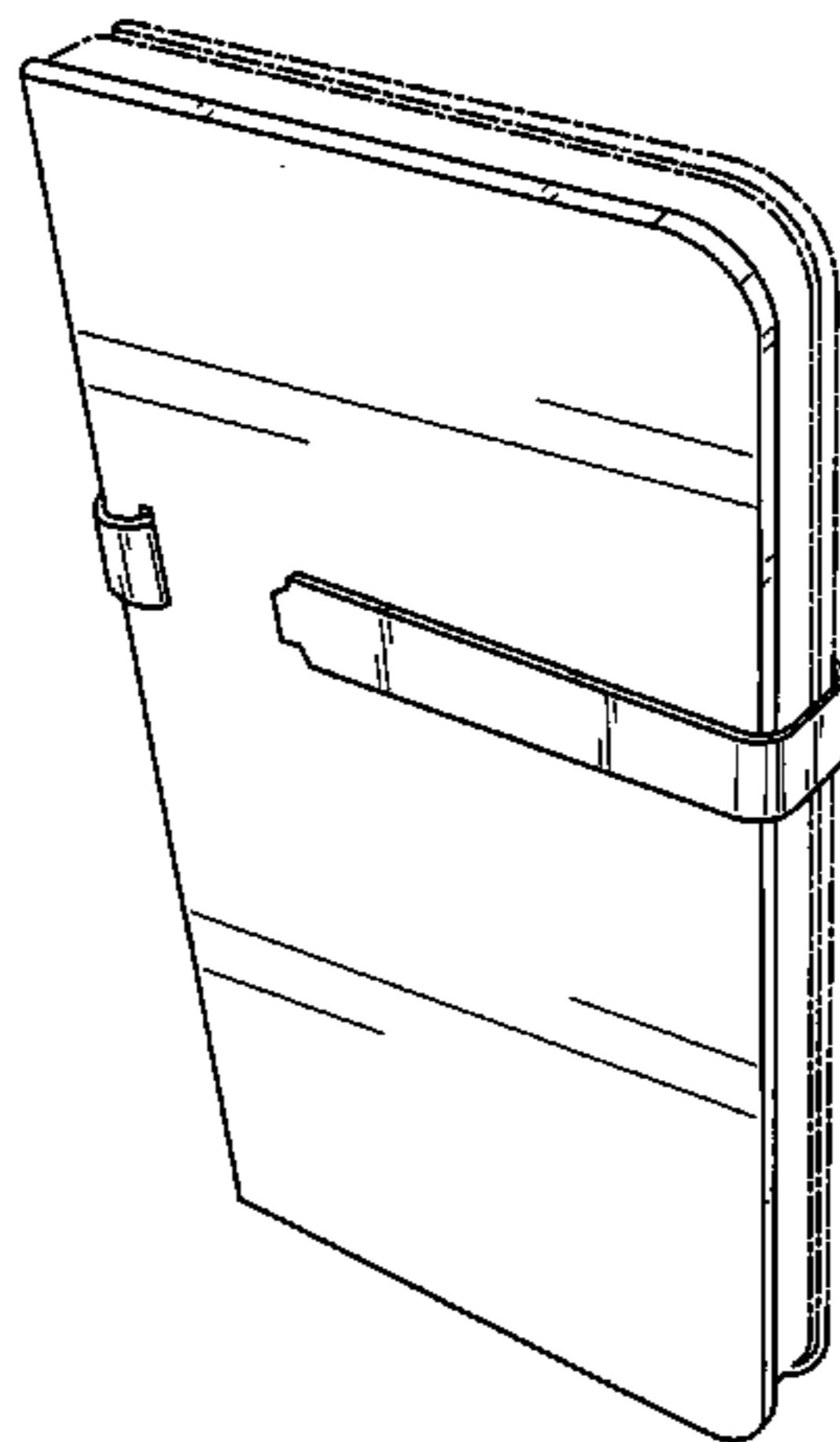
FIG. 12 is a right side elevational view of FIG. 8;

FIG. 13 is a top plan view of FIG. 8; and,

FIG. 14 is a bottom plan view of FIG. 8.

The broken lines in the drawings are for environmental purposes only and form no part of the claimed design.

**1 Claim, 10 Drawing Sheets**



# US D567,849 S

Page 2

## U.S. PATENT DOCUMENTS

D323,937 S	2/1992	Solomon	.....	D3/299	D455,781 S	4/2002	Jobelius et al.	
D330,115 S	* 10/1992	O'Brien	.....	D3/249	6,419,416 B1	7/2002	Tomoda	
D358,839 S	5/1995	Lipic			D467,966 S	12/2002	Lepisto	
5,413,430 A	5/1995	Schrem et al.	.....	402/60	D474,966 S	5/2003	Schrem et al.	..... D9/433
D369,239 S	* 4/1996	Deutch	.....	D3/247	D477,634 S	7/2003	Malone	
D370,691 S	6/1996	Benn	.....	D19/65	D481,074 S	10/2003	Shapiro et al.	..... D19/90
5,529,418 A	6/1996	Alotta			D489,255 S	5/2004	Kratzert et al.	..... D9/433
5,667,064 A	9/1997	Bauman			D499,761 S	12/2004	Africa et al.	..... D19/26
D385,295 S	10/1997	Osiecki et al.			D502,502 S	3/2005	Brann	
D394,385 S	5/1998	Laughlin			D503,195 S	3/2005	de la Rosa Luna Parra	
5,944,353 A	8/1999	Sato			D513,038 S	12/2005	Ong	
D413,725 S	9/1999	Hartmann et al.			D520,057 S	5/2006	Hamel	
6,017,062 A	* 1/2000	White	.....	281/29	D523,078 S	6/2006	Ong	
D423,572 S	4/2000	Tedaldi et al.			D544,030 S	* 6/2007	LaDue	..... D19/27
6,058,192 A	5/2000	Guralnick et al.	.....	229/75	D545,362 S	* 6/2007	King et al.	..... D19/20
D426,262 S	6/2000	Humphrey			D546,878 S	* 7/2007	Bharma	..... D19/26
D436,533 S	1/2001	Correll			D547,372 S	* 7/2007	Bharma	..... D19/26
6,179,332 B1	1/2001	Funkhouser			2003/0071454 A1	4/2003	Muchin et al.	
6,220,436 B1	4/2001	Chung			2004/0035720 A1	2/2004	Hsieh	
D447,689 S	9/2001	Navet et al.			2004/0253046 A1	12/2004	Africa et al.	..... 402/73
D449,927 S	11/2001	Dorizas			2005/0042021 A1	2/2005	McArthur	

\* cited by examiner

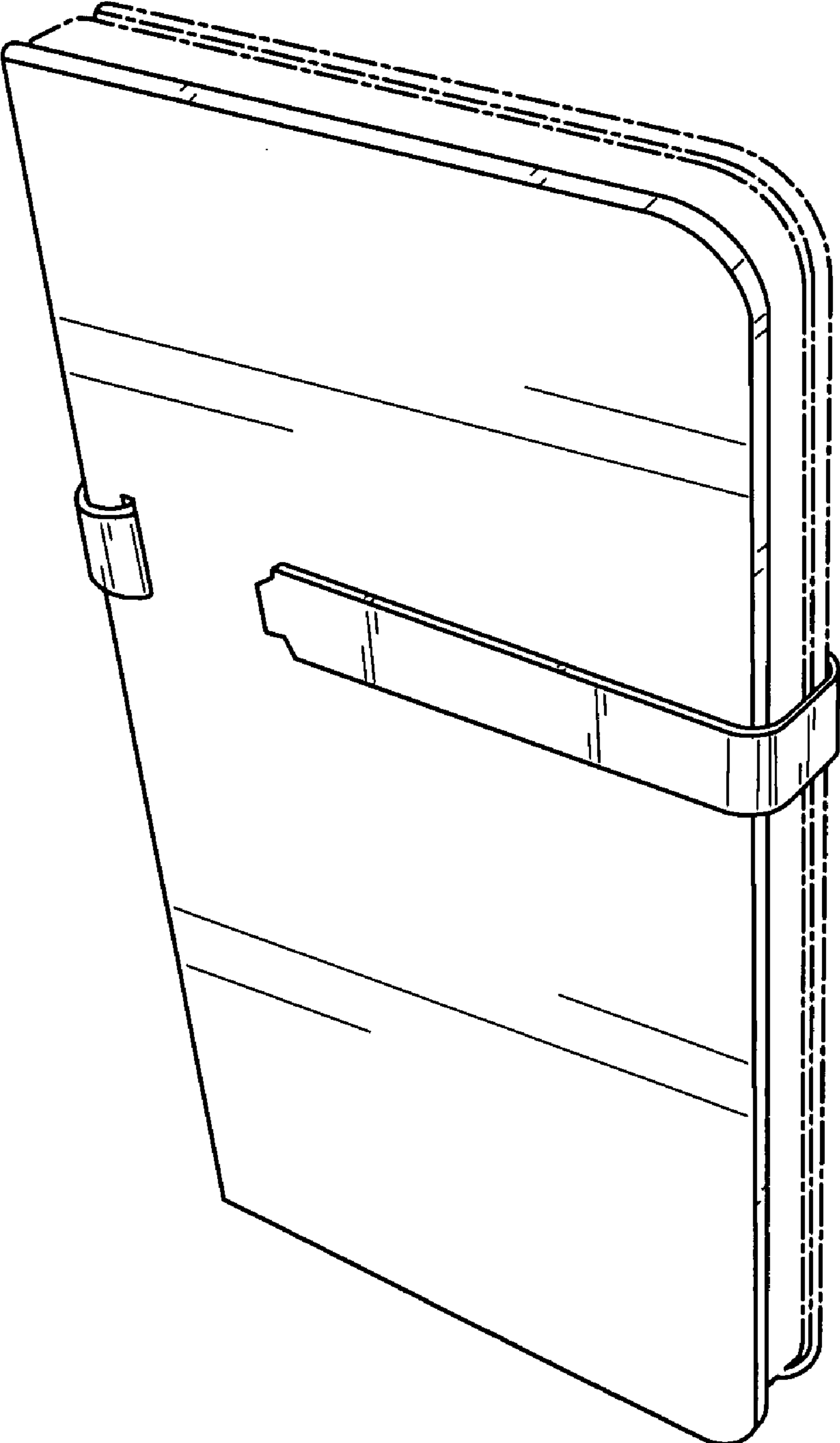


FIG. 1

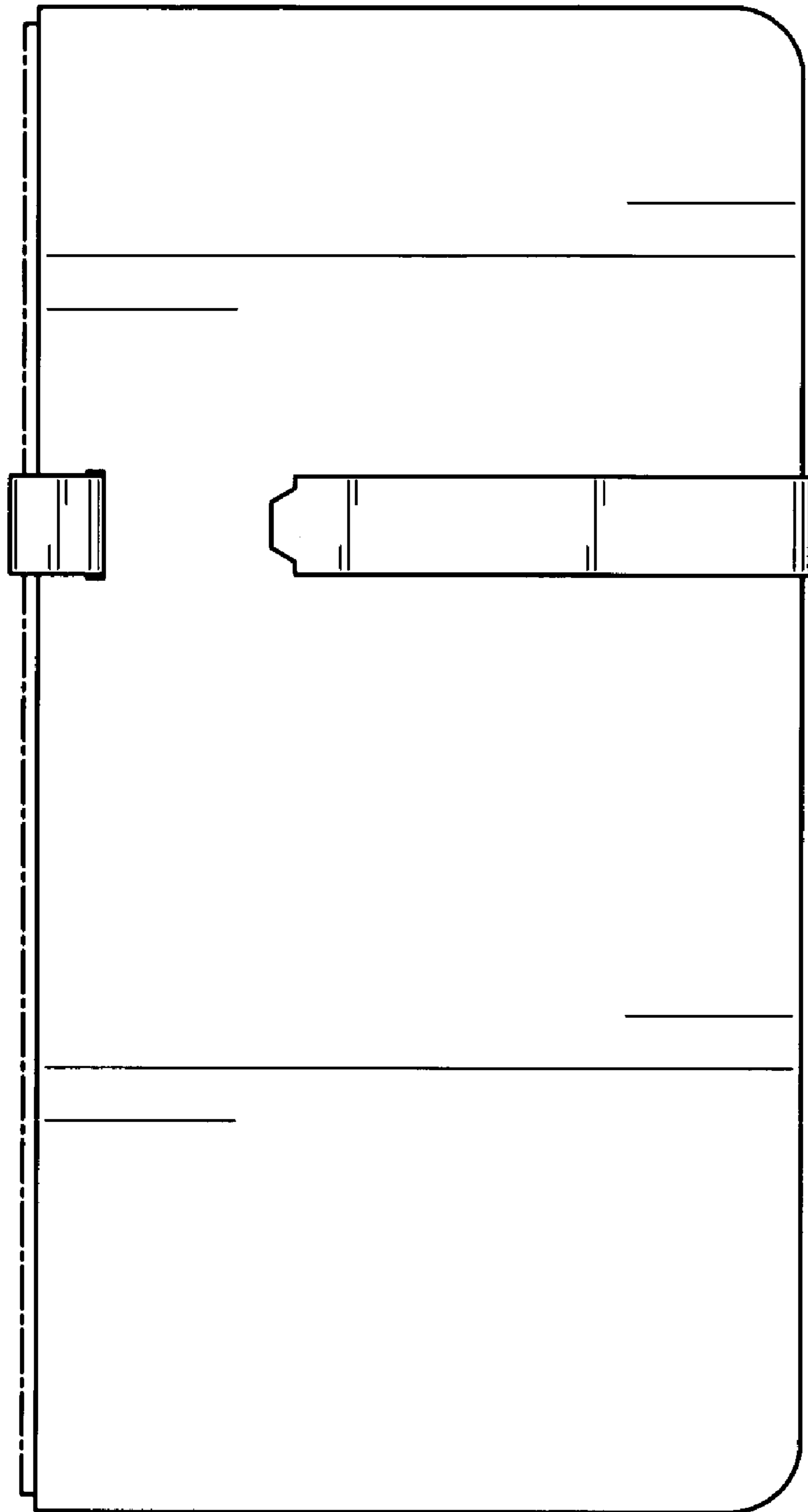


FIG. 2

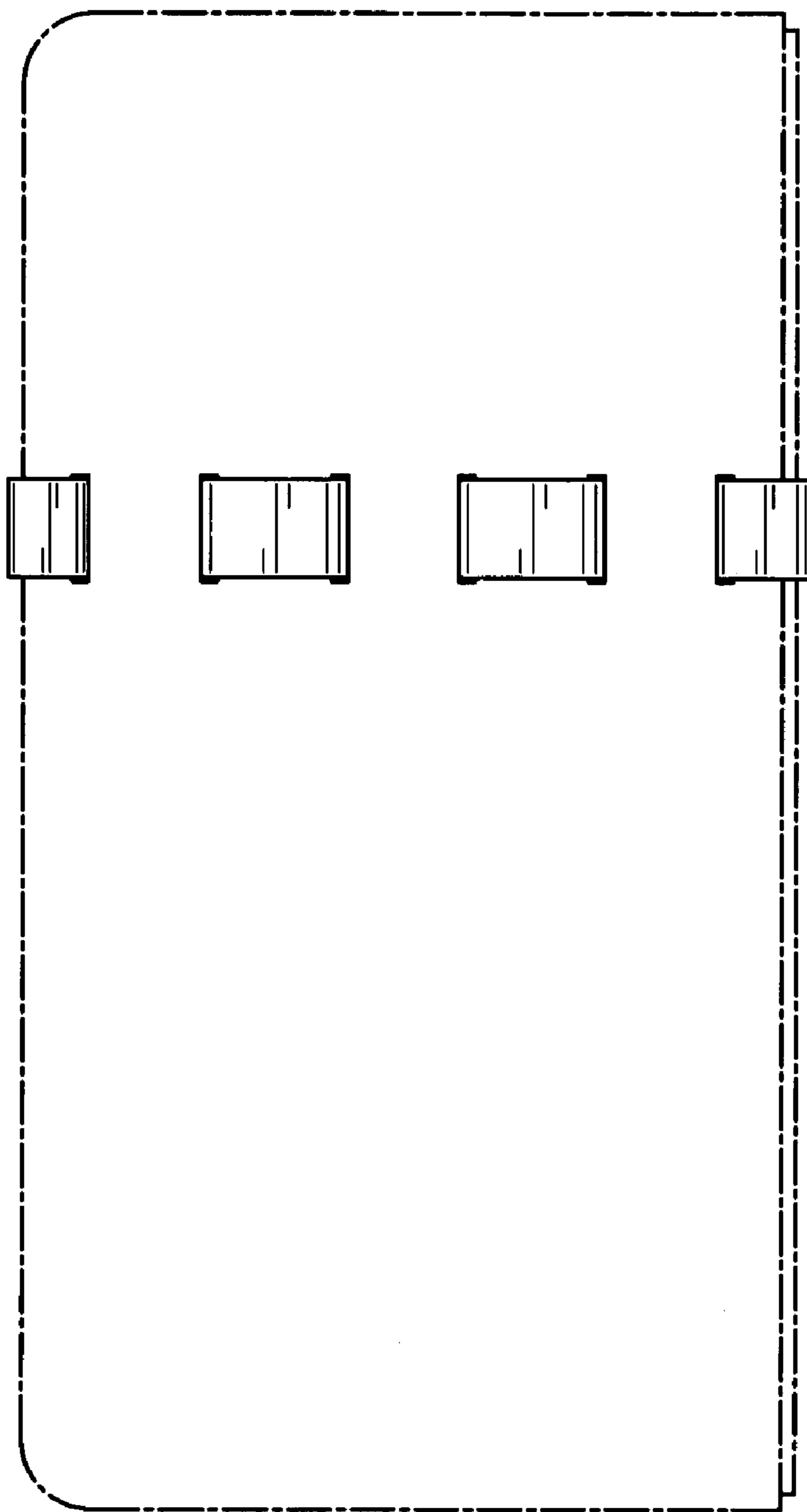


FIG. 3

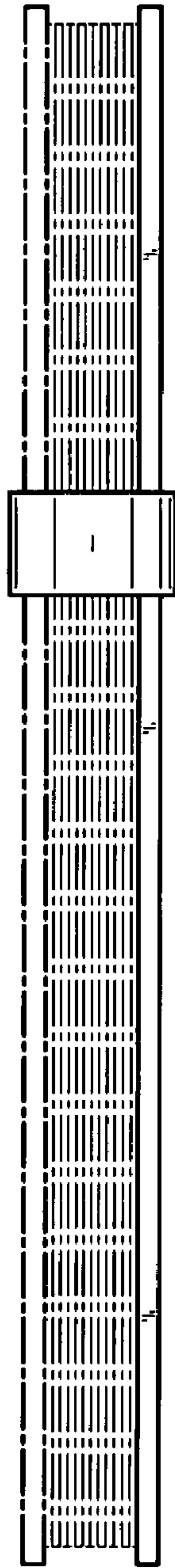


FIG. 4



FIG. 5

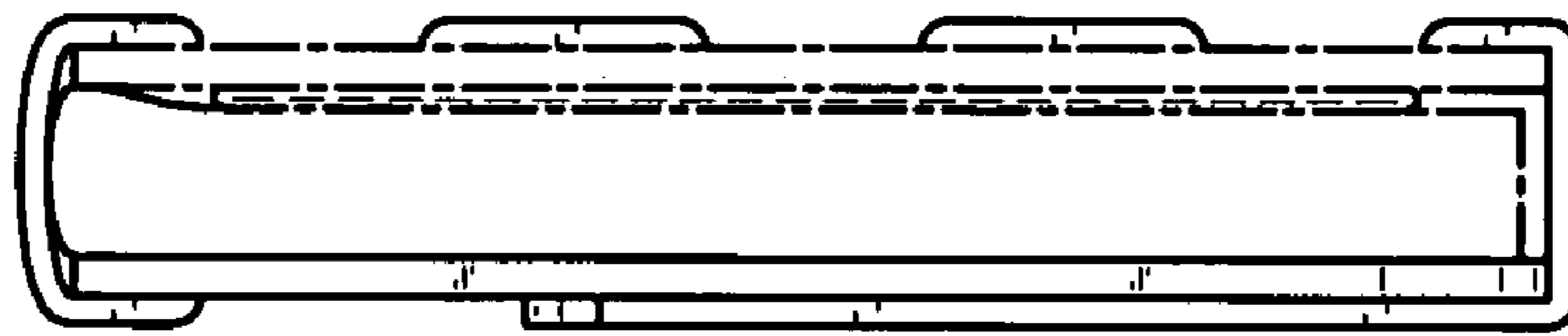


FIG. 6

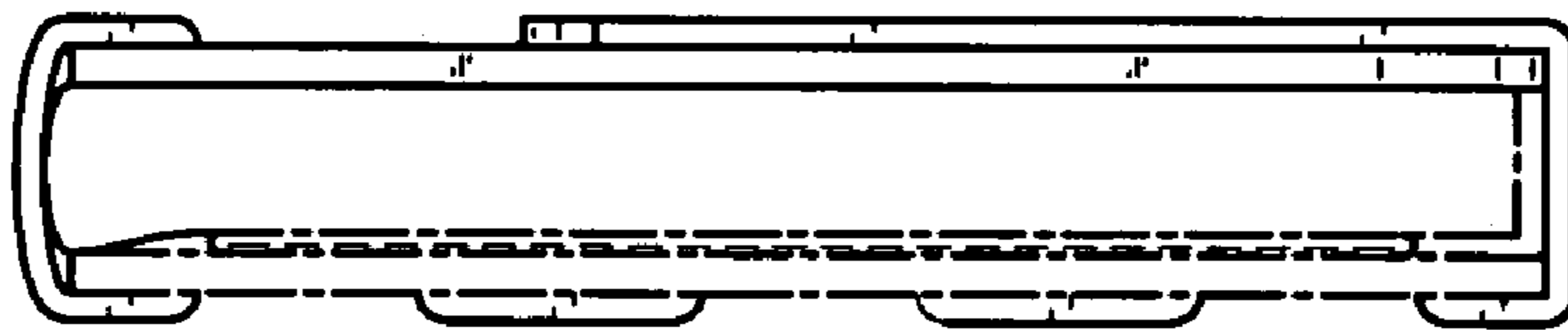


FIG. 7

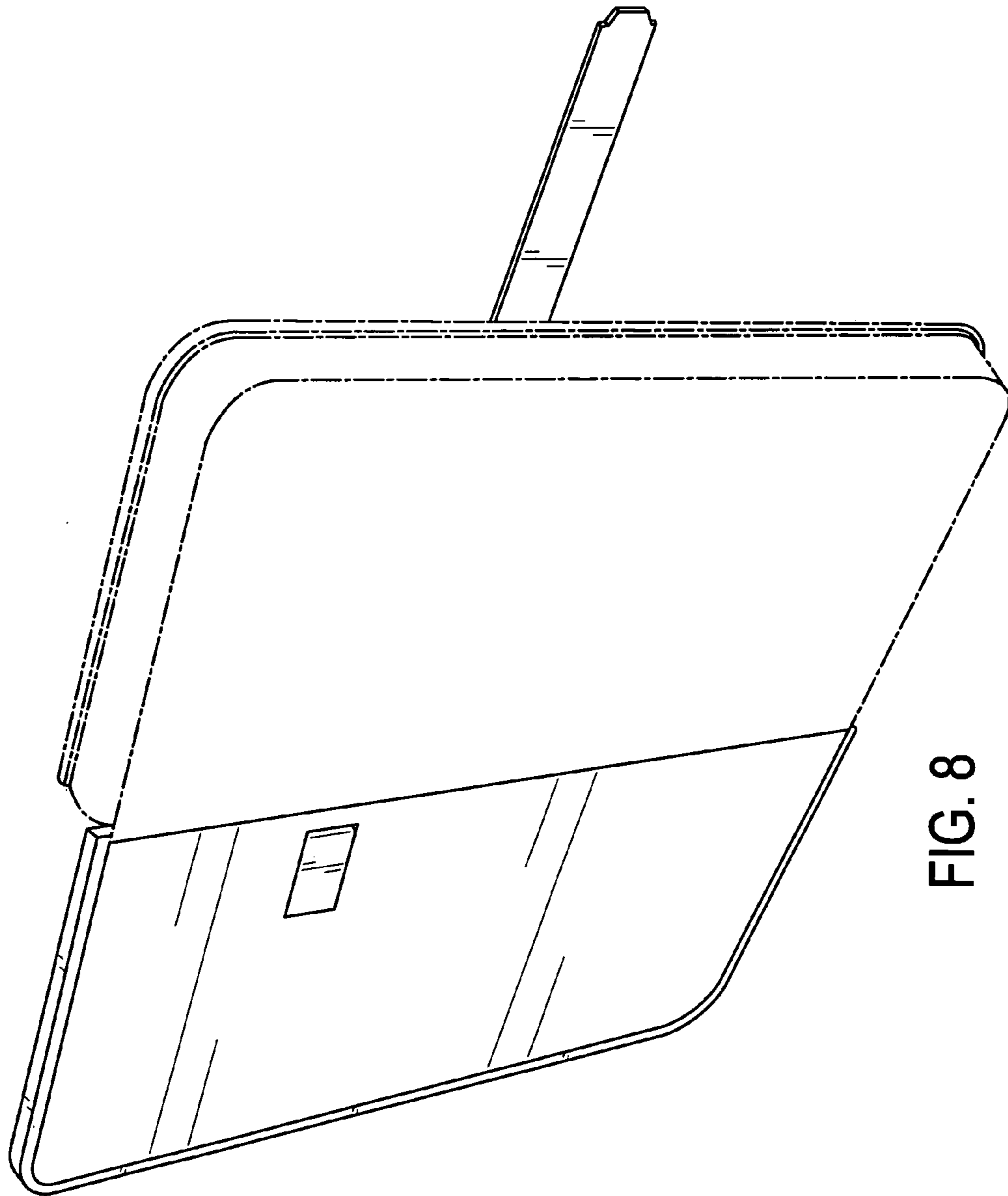


FIG. 8



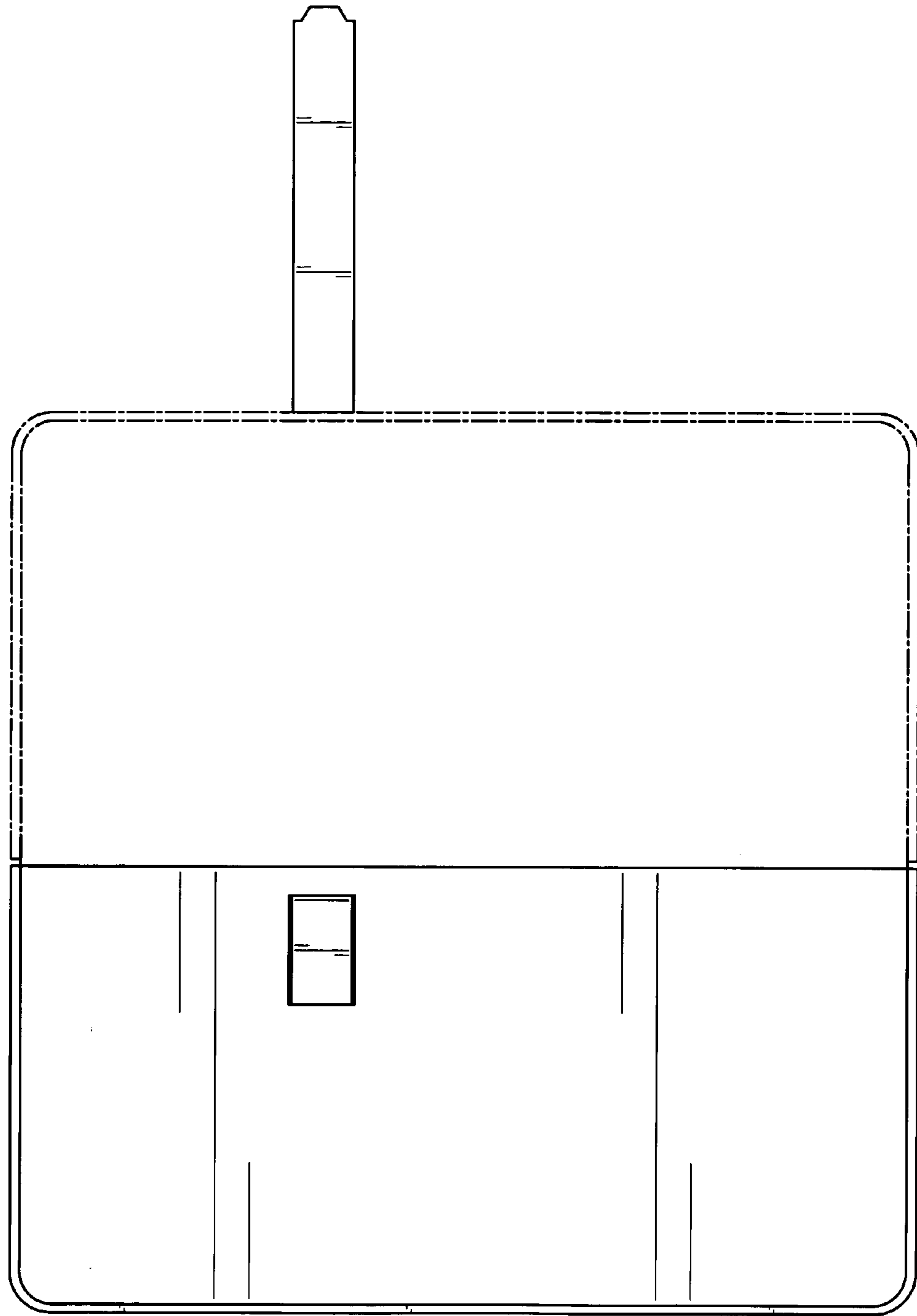


FIG. 9

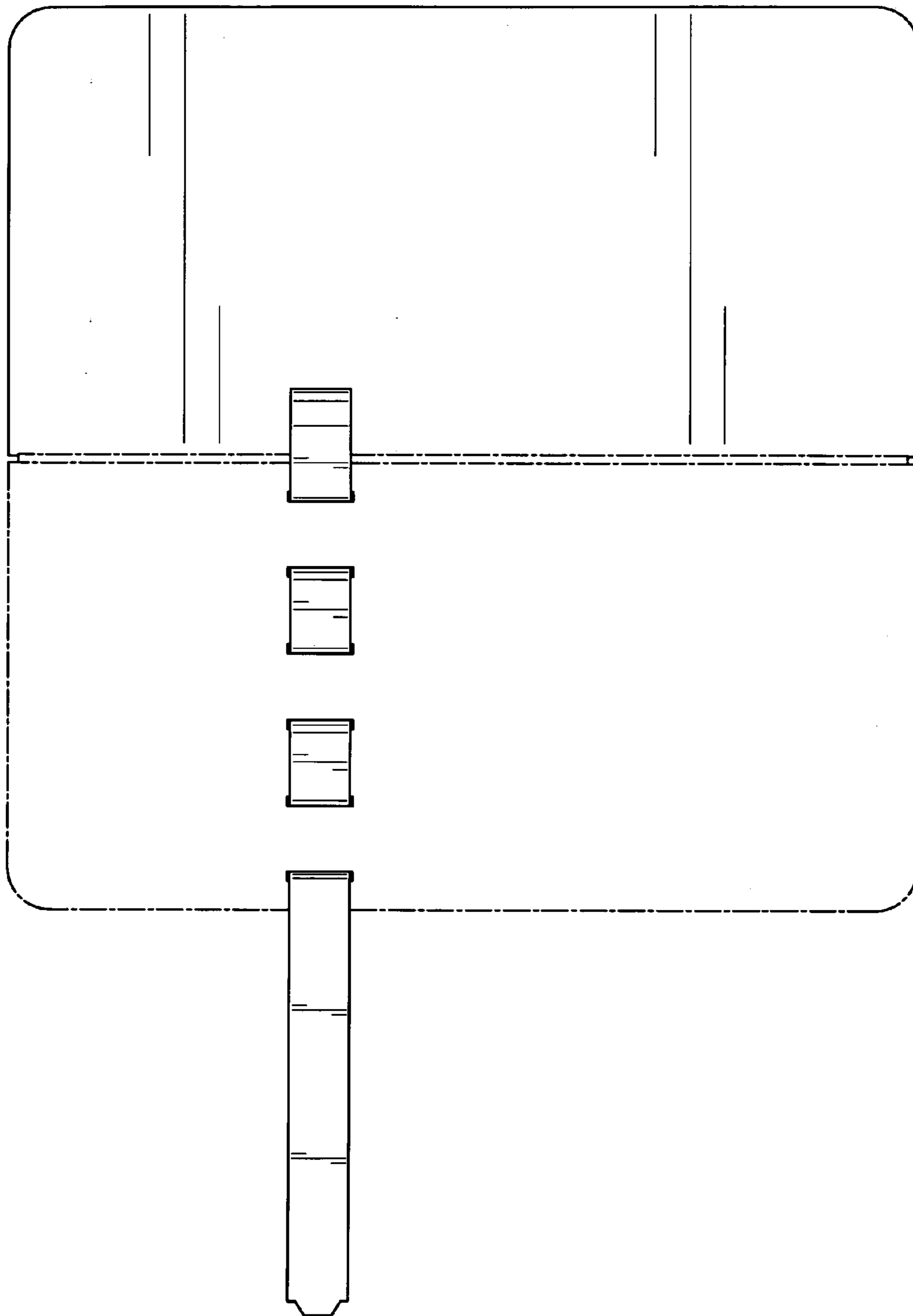


FIG. 10

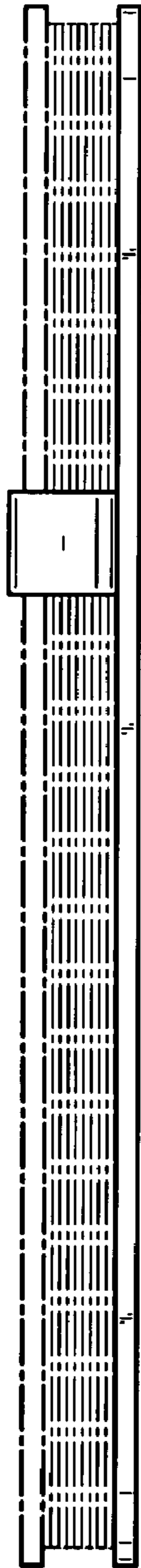


FIG. 11

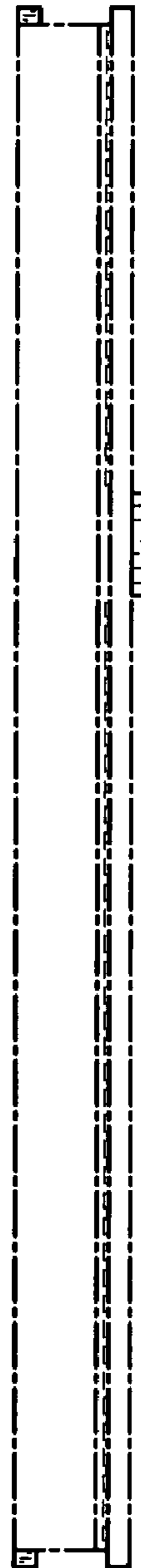


FIG. 12

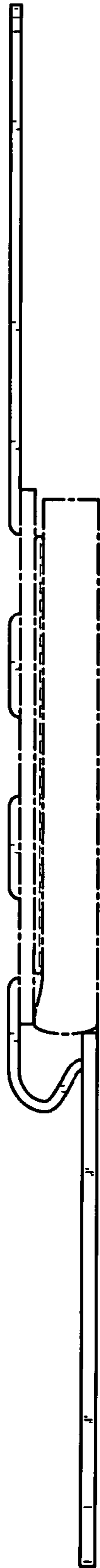


FIG. 13



FIG. 14