



US00D567848S

(12) **United States Design Patent**  
**Kawamura et al.**

(10) **Patent No.:** **US D567,848 S**  
(45) **Date of Patent:** **\*\* Apr. 29, 2008**

- (54) **DATA PROCESSING MACHINE**
- (75) Inventors: **Toshihiro Kawamura**, Kyoto (JP);  
**Atsushi Fukumura**, Kyoto (JP);  
**Makoto Kawamoto**, Kyoto (JP);  
**Yasuhiro Sakanashi**, Kyoto (JP);  
**Kouichi Motoyoshi**, Kyoto (JP)
- (73) Assignee: **Murata Kikai Kabushiki Kaisha**,  
Kyoto (JP)
- (\*\*) Term: **14 Years**
- (21) Appl. No.: **29/249,544**
- (22) Filed: **Oct. 11, 2006**

**Related U.S. Application Data**

- (62) Division of application No. 29/213,012, filed on Sep. 10, 2004.

(30) **Foreign Application Priority Data**

Mar. 15, 2004	(JP)	.....	2004-007625
Mar. 15, 2004	(JP)	.....	2004-007626
Mar. 15, 2004	(JP)	.....	2004-007627
Mar. 15, 2004	(JP)	.....	2004-007628
Mar. 15, 2004	(JP)	.....	2004-007629

- (51) **LOC (8) Cl.** ..... **16-03**
- (52) **U.S. Cl.** ..... **D18/39**
- (58) **Field of Classification Search** ..... D18/36-39,  
D18/45-55; 222/DIG. 1; 355/97, 99; 358/1.1;  
399/1-7, 16, 75, 81, 130, 151, 310, 361,  
399/365  
See application file for complete search history.

(56) **References Cited**

**U.S. PATENT DOCUMENTS**

D317,622 S 6/1991 Isomoto et al. .... D18/38

(Continued)

**FOREIGN PATENT DOCUMENTS**

JP D1064657 3/2000

(Continued)

*Primary Examiner*—Caron D. Veynar  
*Assistant Examiner*—Garth Rademaker  
(74) *Attorney, Agent, or Firm*—Hogan & Hartson LLP

(57) **CLAIM**

The ornamental design for a data processing machine, as shown and described.

**DESCRIPTION**

FIG. 1 is a perspective view of our design for a data processing machine according to a first embodiment of the present invention;

FIG. 2 is a front view thereof;

FIG. 3 is a rear view thereof;

FIG. 4 is a top plan view thereof;

FIG. 5 is a bottom plan view thereof;

FIG. 6 is a right side elevational view thereof;

FIG. 7 is a left side elevational view thereof;

FIG. 8 is a perspective view of our design for a data processing machine according to a fourth second embodiment of the present invention;

FIG. 9 is a front view thereof;

FIG. 10 is a rear view thereof;

FIG. 11 is a top plan view thereof;

FIG. 12 is a bottom plan view thereof;

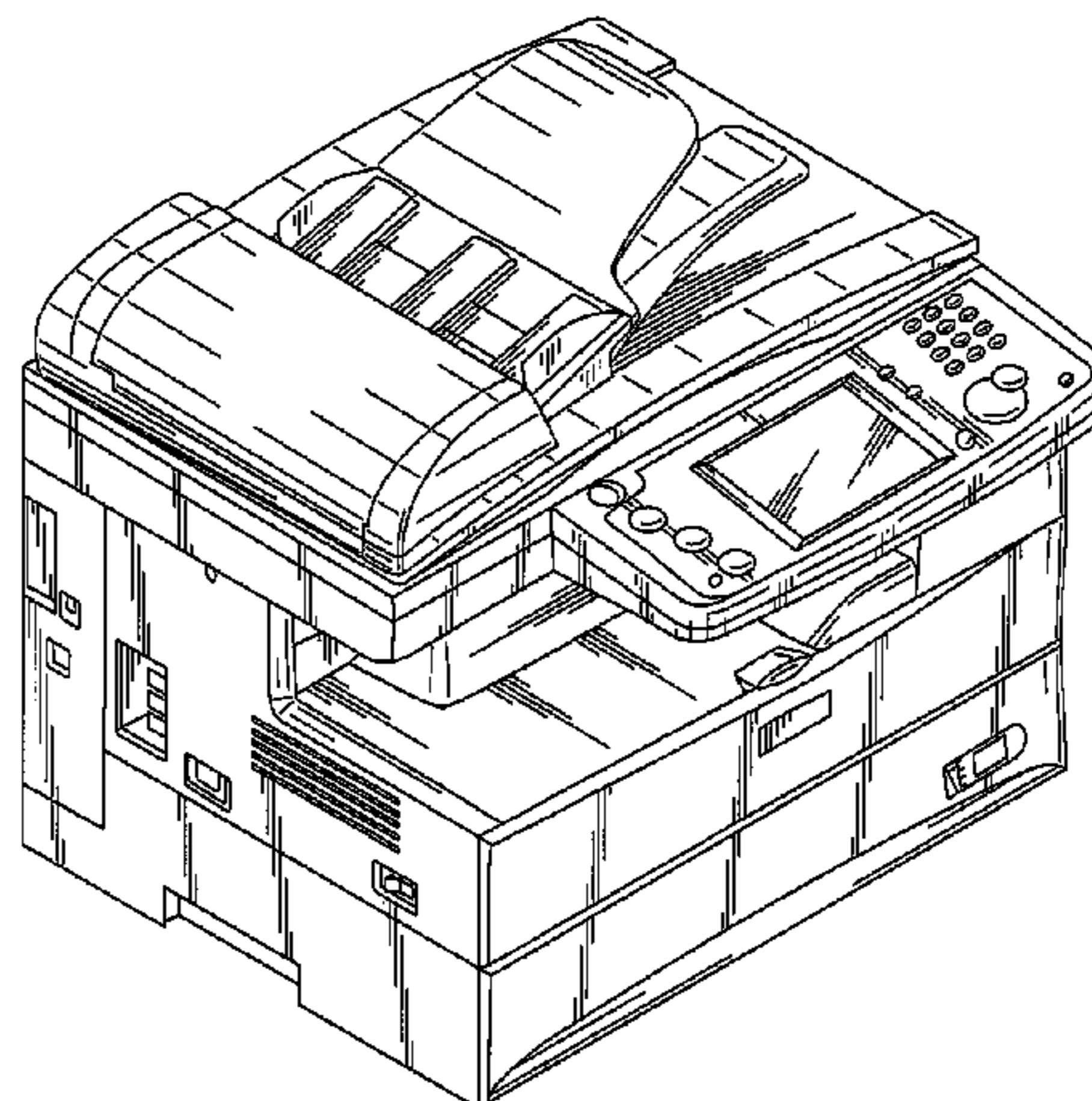
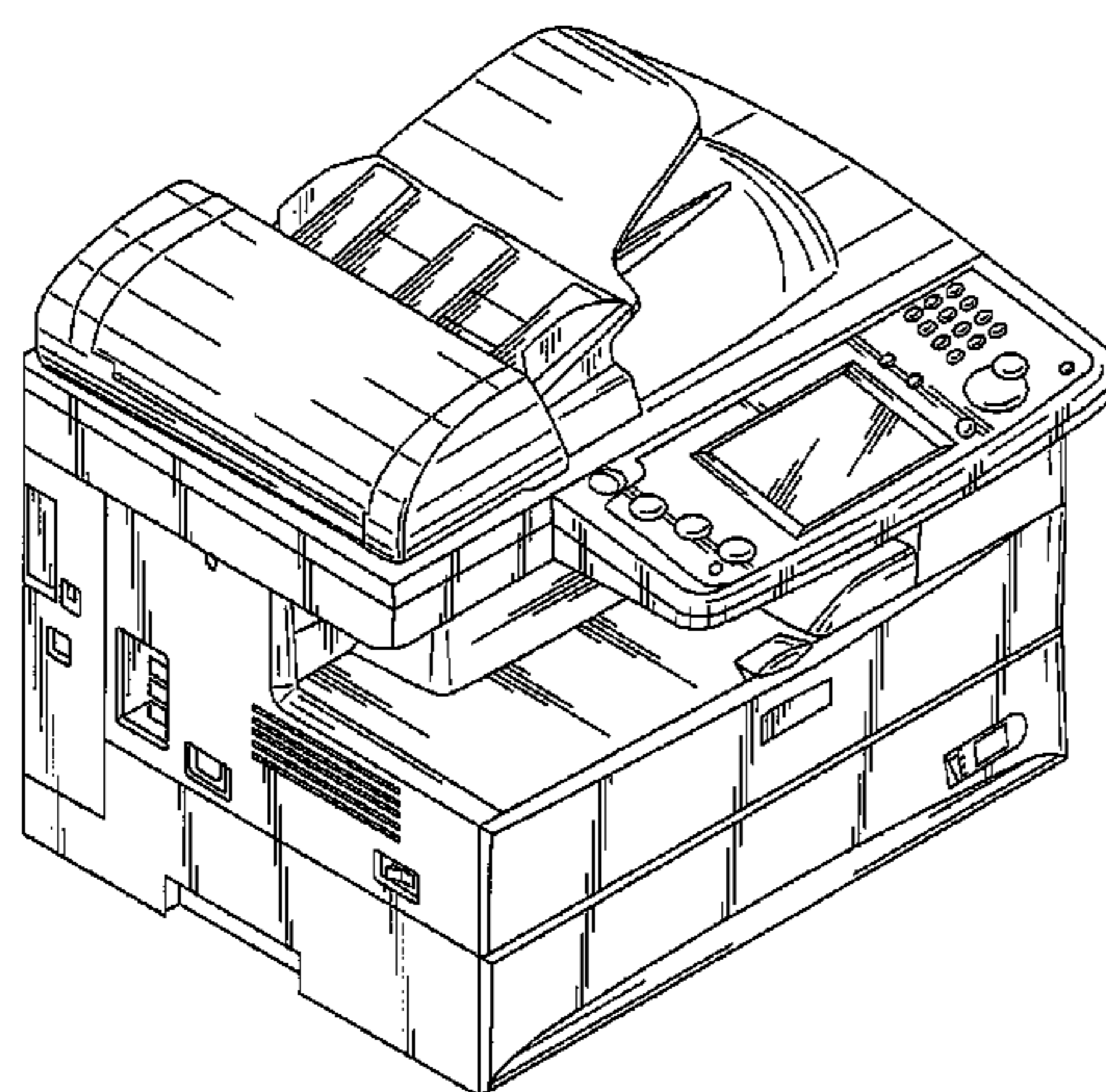
FIG. 13 is a right side elevational view thereof; and,

FIG. 14 is a left side elevational view thereof.

This article is a data processing machine used as a facsimile, a copier, a scanner, or a printer or a multifunctional machine of any combination thereof.

The broken lines depict environmental subject matter only and form no part of the claimed design.

**1 Claim, 14 Drawing Sheets**



# US D567,848 S

Page 2

## U.S. PATENT DOCUMENTS

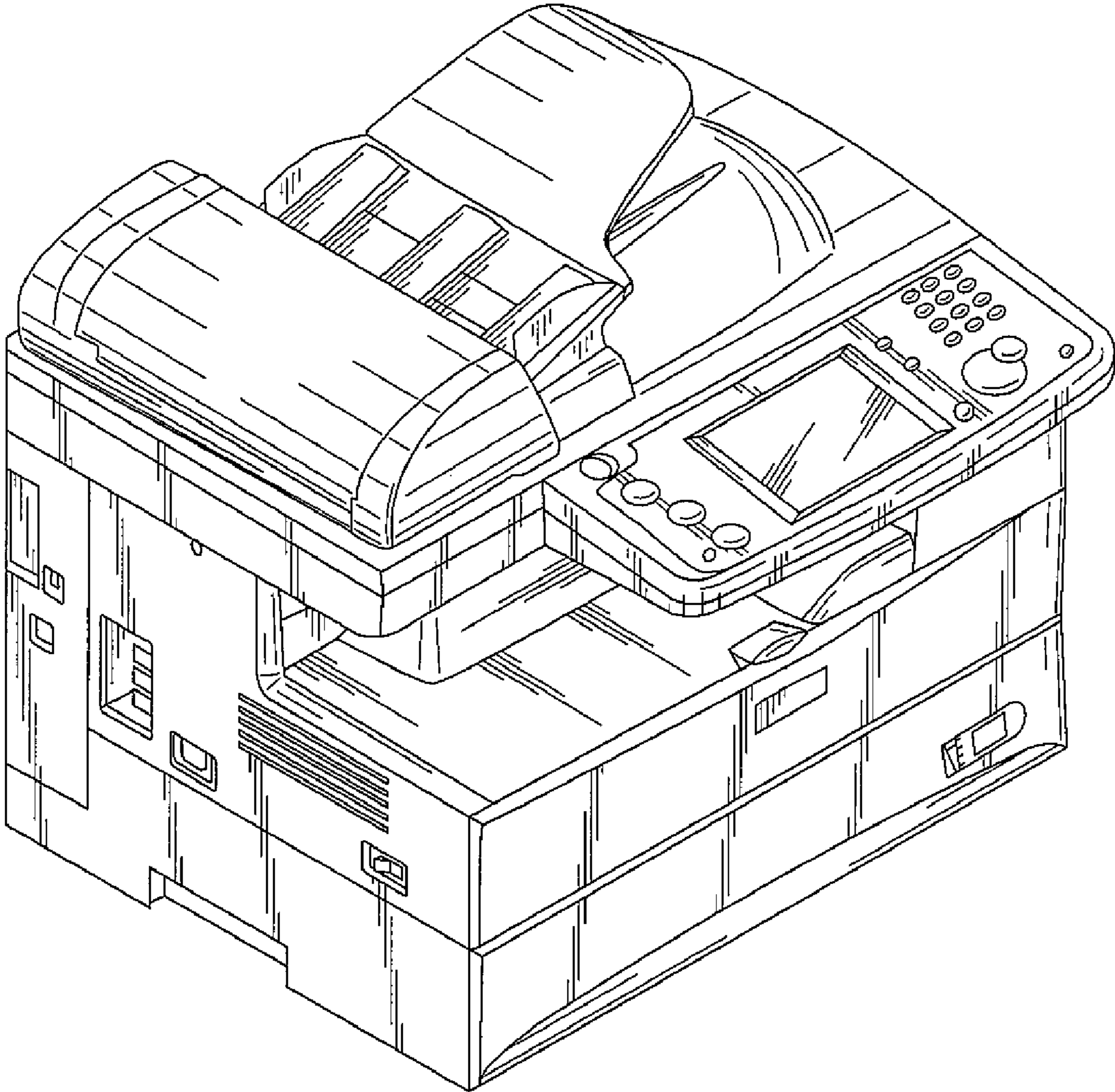
D320,808 S 10/1991 Ishida ..... D18/37  
D328,609 S 8/1992 Isida ..... D18/36  
D338,031 S 8/1993 Katada et al. .... D18/36  
D374,454 S 10/1996 Naruki et al.  
D380,006 S 6/1997 Takahashi et al. .... D18/39  
5,881,333 A 3/1999 Takahashi et al. .... 399/2  
D408,443 S 4/1999 Sasaki ..... D18/36  
D410,675 S 6/1999 Ohashi ..... D18/36  
D415,787 S 10/1999 Clark et al. .... D18/36  
D424,101 S 5/2000 Takeuchi ..... D18/53  
D425,929 S 5/2000 Imai ..... D18/36  
D433,439 S 11/2000 Yoshida et al. .... D18/36  
D451,124 S 11/2001 Isomoto ..... D18/39  
D459,752 S 7/2002 Shiozaki  
D473,587 S 4/2003 Agata et al. .... D18/39  
D502,210 S 2/2005 Katori et al. .... D18/39  
D521,544 S 5/2006 Saito ..... D18/39  
7,046,955 B2 5/2006 Hatanaka et al.  
D525,291 S 7/2006 Fukumura et al. .... D18/49  
D526,678 S 8/2006 Inoue et al. .... D18/49  
7,092,646 B2 8/2006 Schroath et al. .... 399/21  
7,149,011 B2 12/2006 Kawamura et al.  
D537,471 S \* 2/2007 Inoue ..... D18/41  
2003/0219273 A1 11/2003 Fujita et al. .... 399/81  
2004/0264999 A1 12/2004 Marumoto

2005/0069336 A1 3/2005 Kotani ..... 399/81  
2005/0254869 A1 11/2005 Yamada et al.

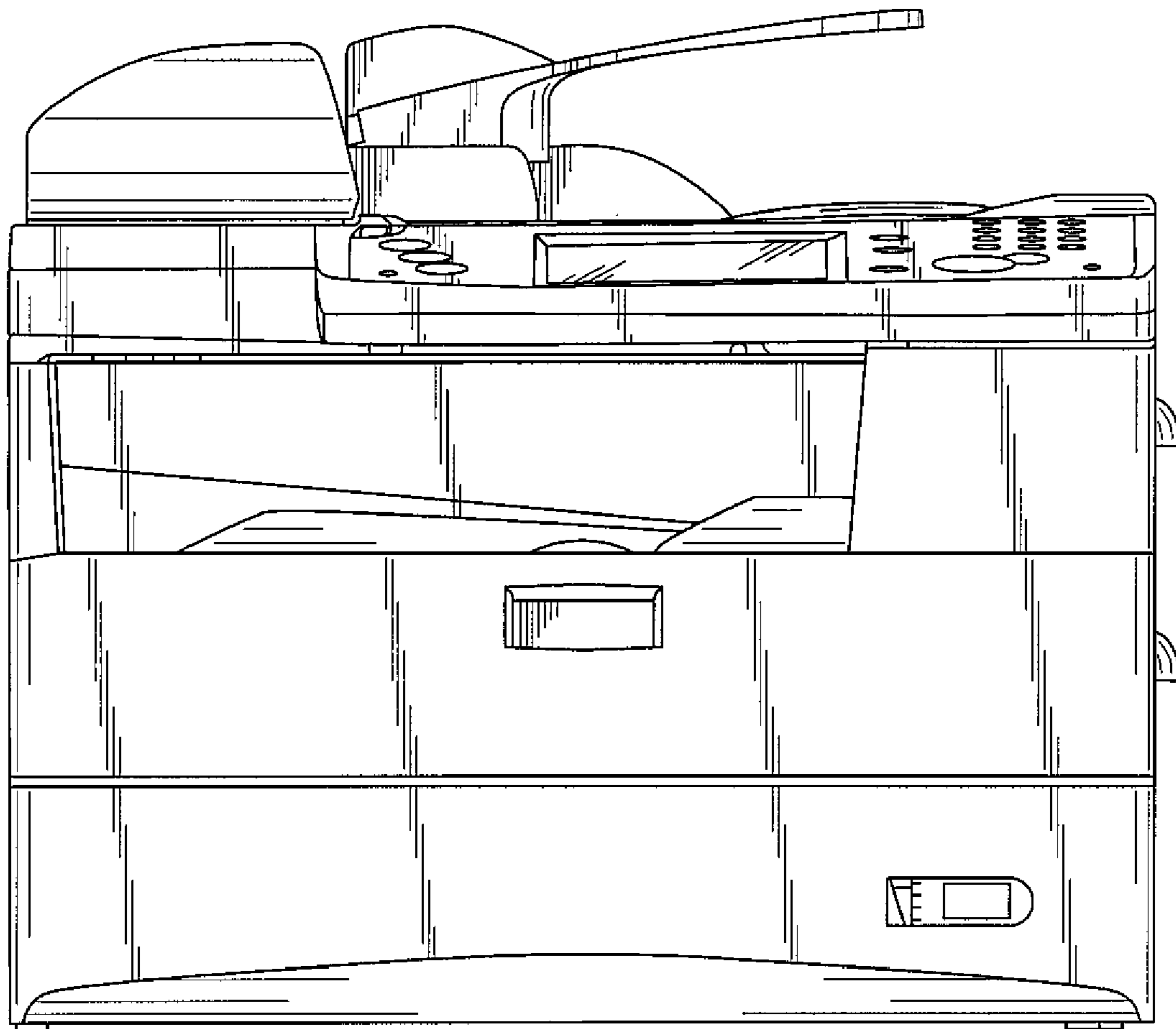
## FOREIGN PATENT DOCUMENTS

JP D1079578 7/2000  
JP D1080075 7/2000  
JP D1080075-1 7/2000  
JP D1093357 12/2000  
JP D1094127 12/2000  
JP D1099881 2/2001  
JP D1120834 9/2001  
JP D1134624 2/2002  
JP D1134625 2/2002  
JP D1137127 3/2002  
JP D1149603 8/2002  
JP D1153194 9/2002  
JP D1153207 9/2002  
JP D1153721 9/2002  
JP D1553694 9/2002  
JP D1166763 3/2003  
JP D1192394 12/2003  
JP D1200324 3/2004  
JP D1200502 3/2004  
JP D1201650 4/2004  
JP D1201653 4/2004

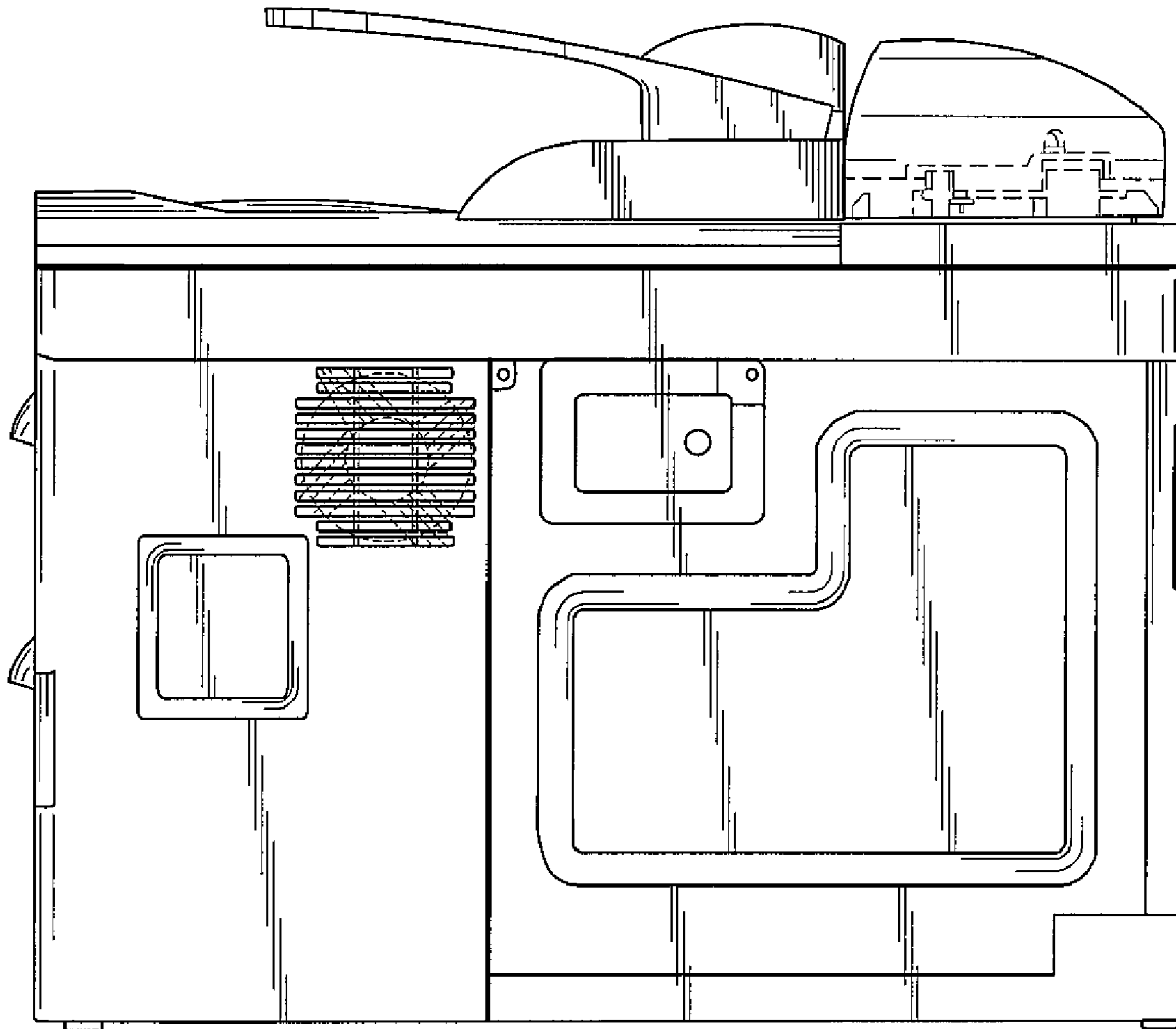
\* cited by examiner



**FIG. 1**



**FIG. 2**



**FIG. 3**

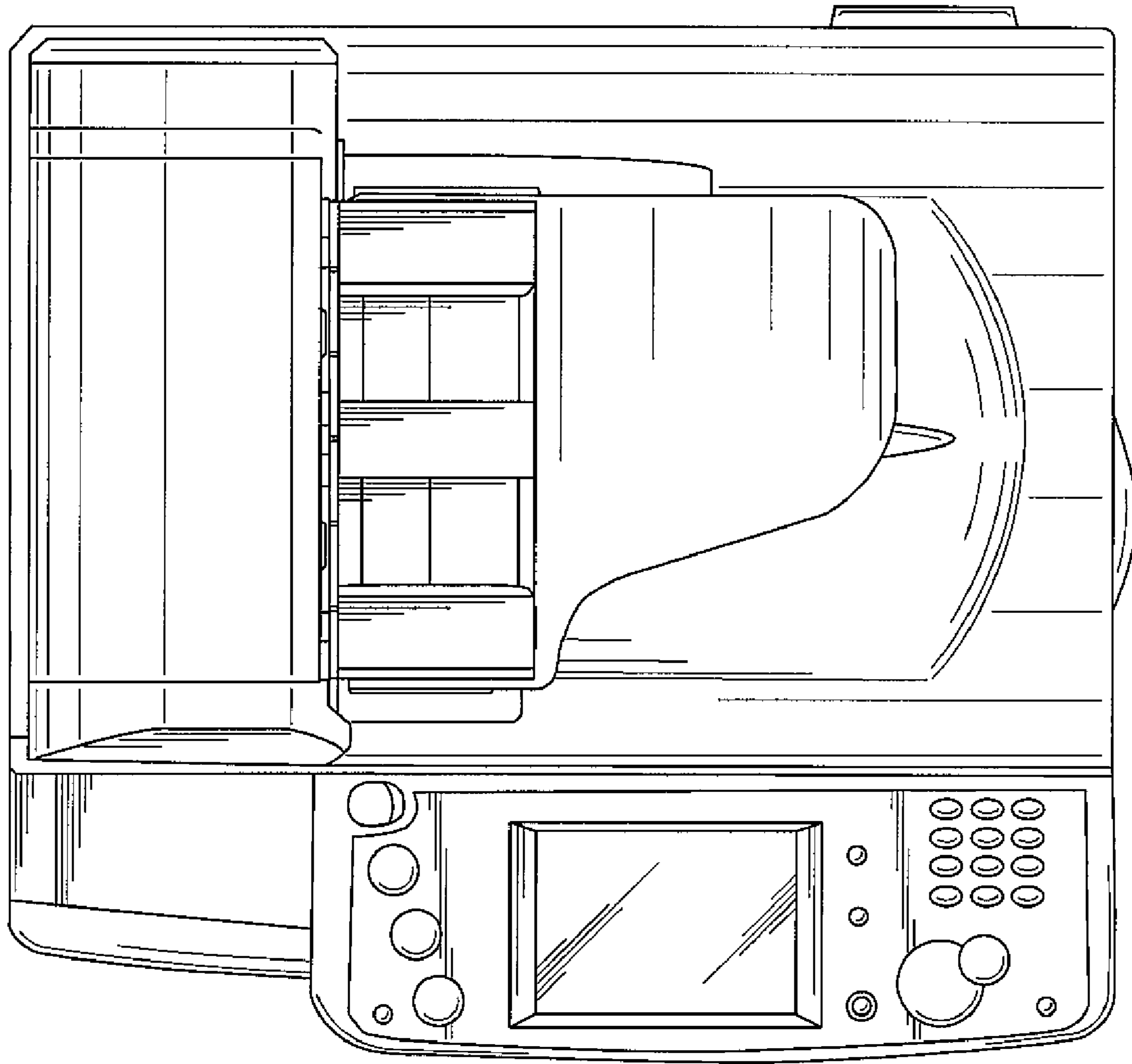


FIG. 4

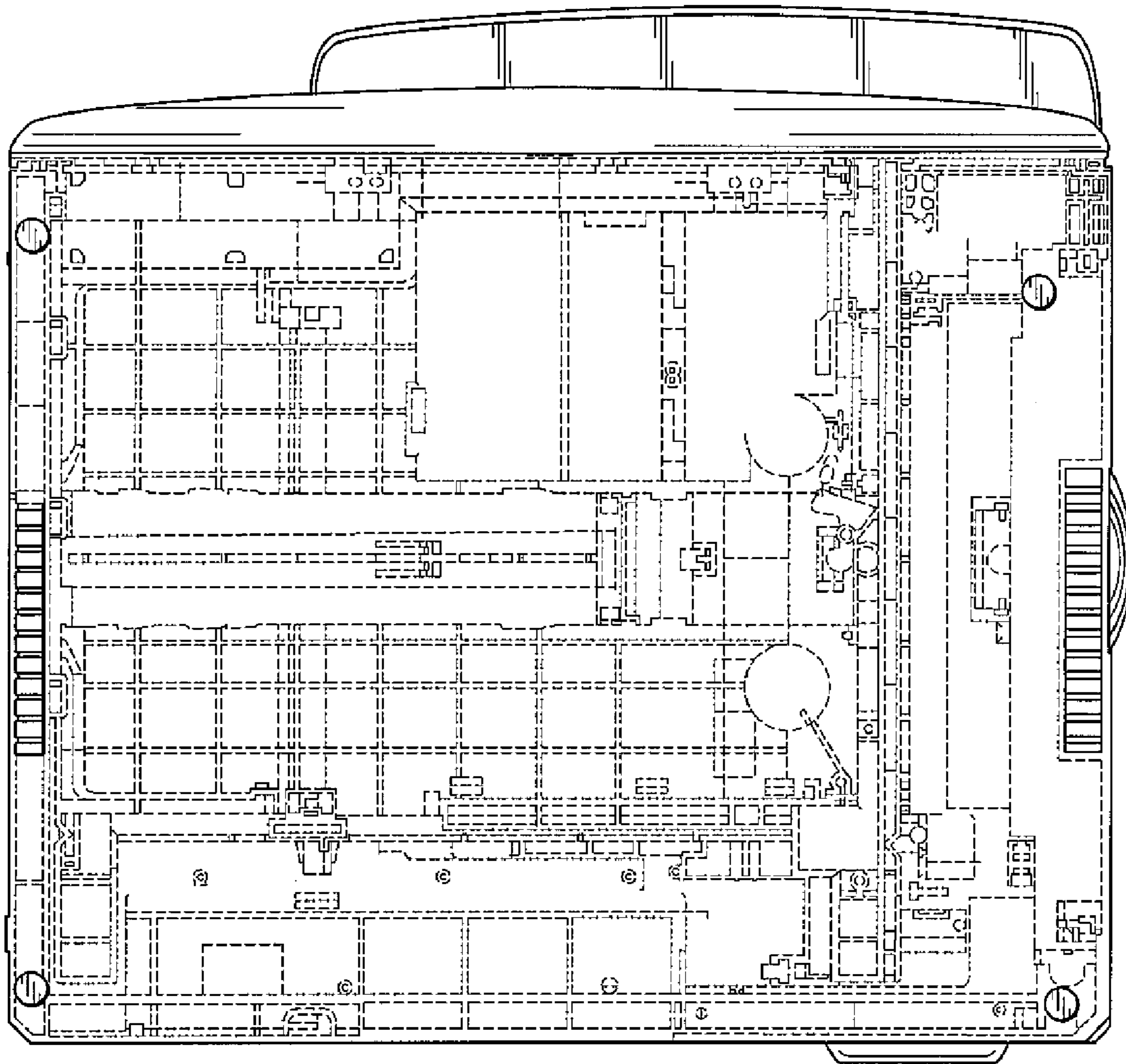
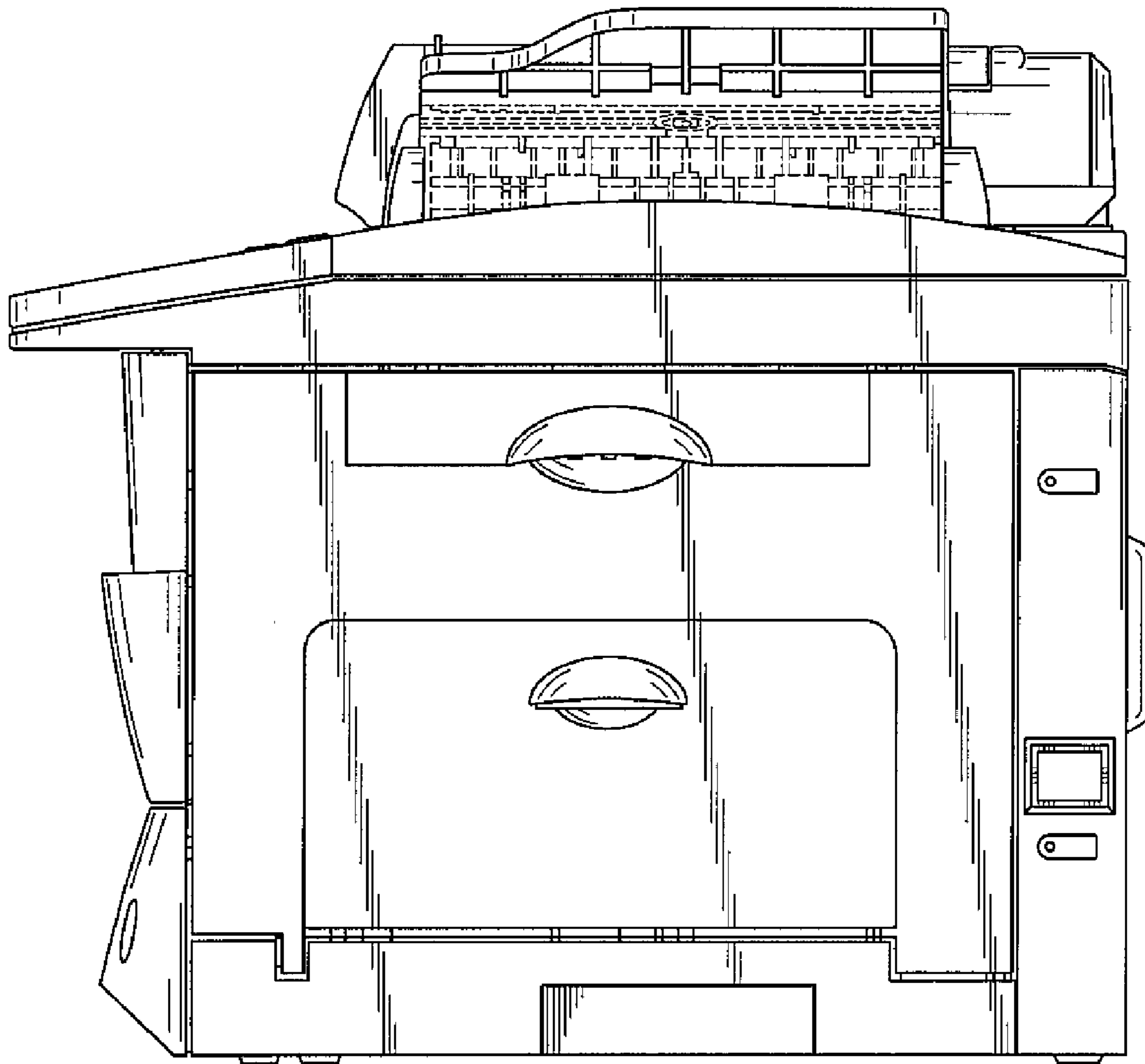


FIG. 5



**FIG. 6**



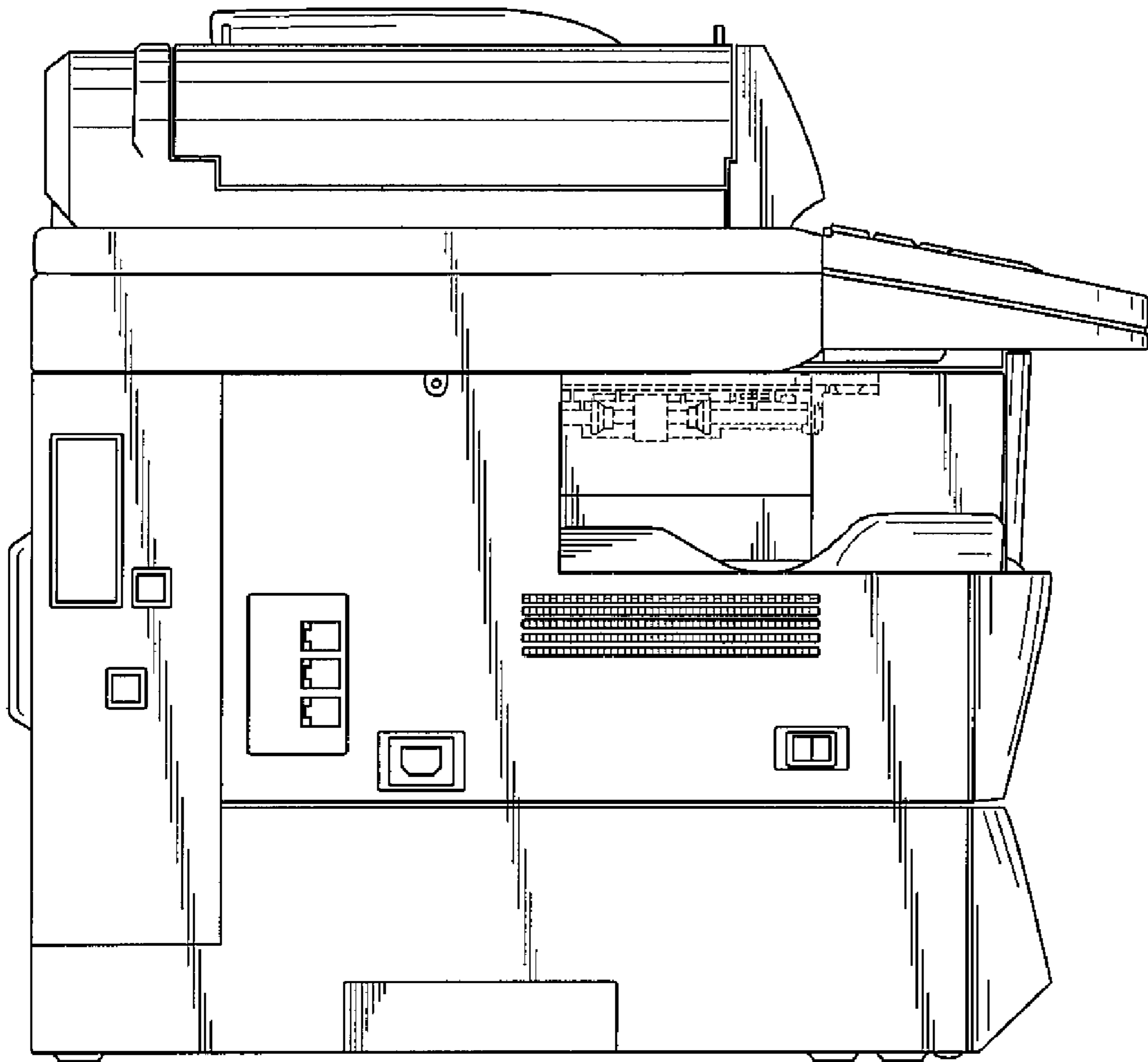
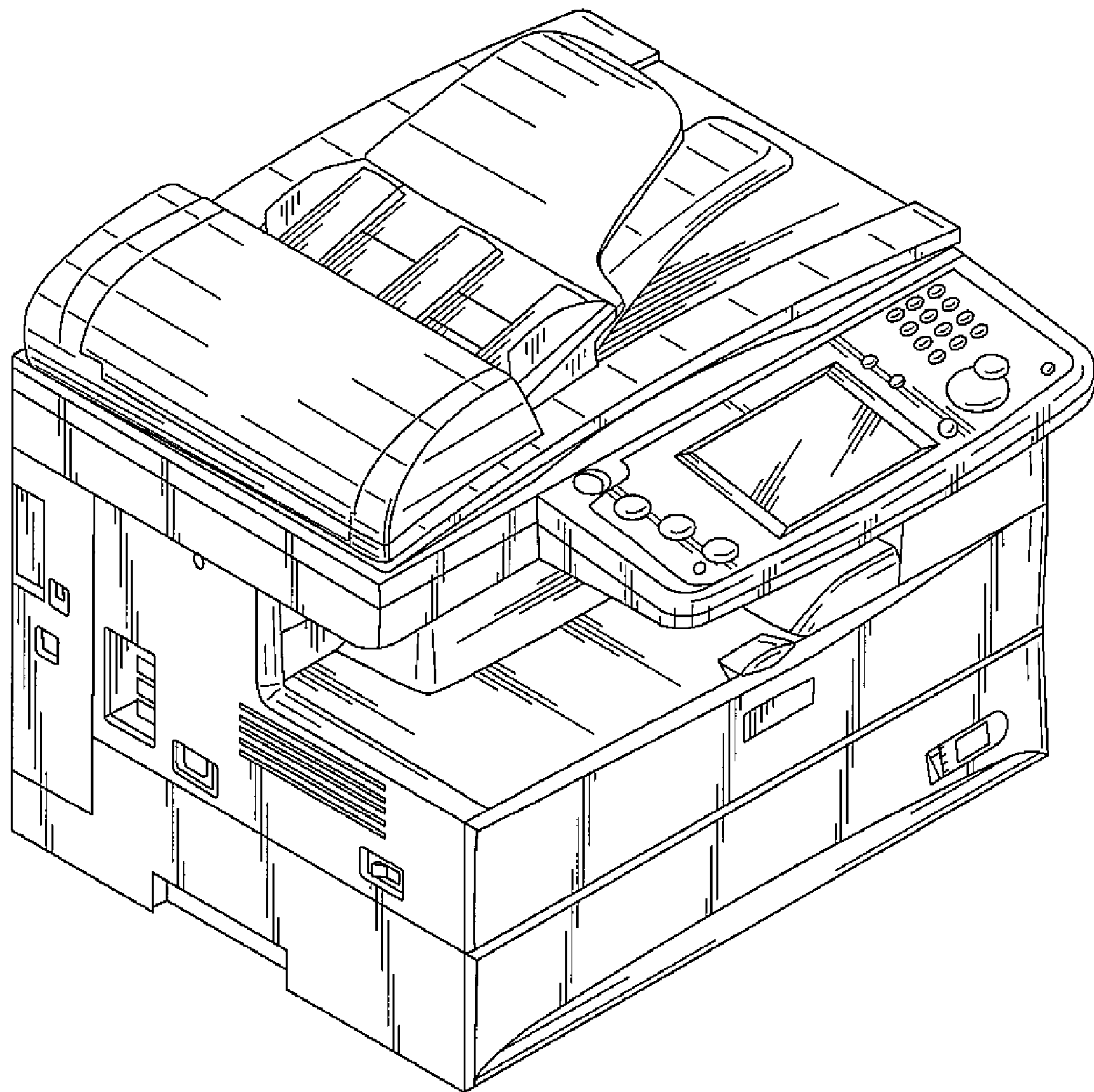
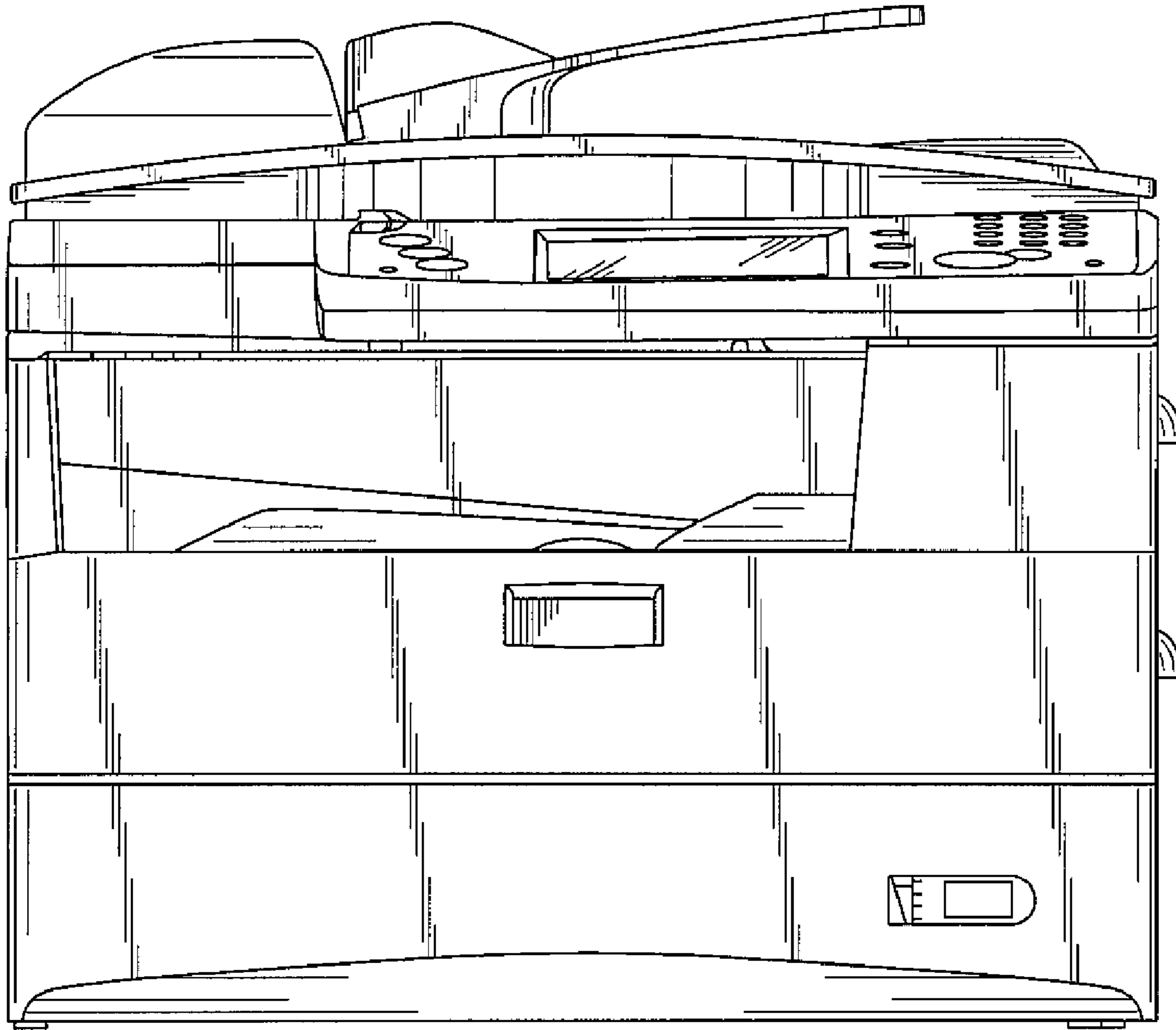


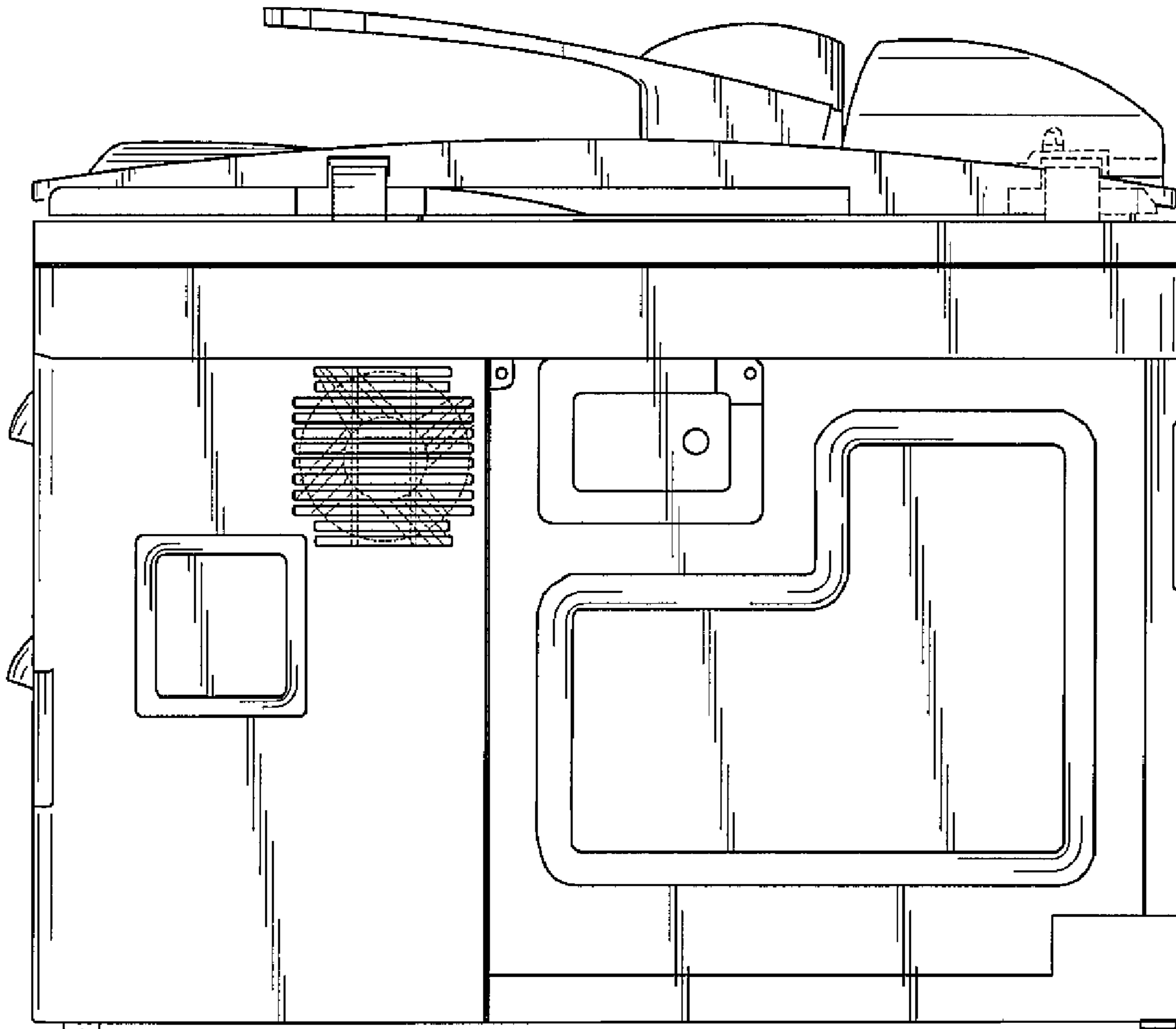
FIG. 7



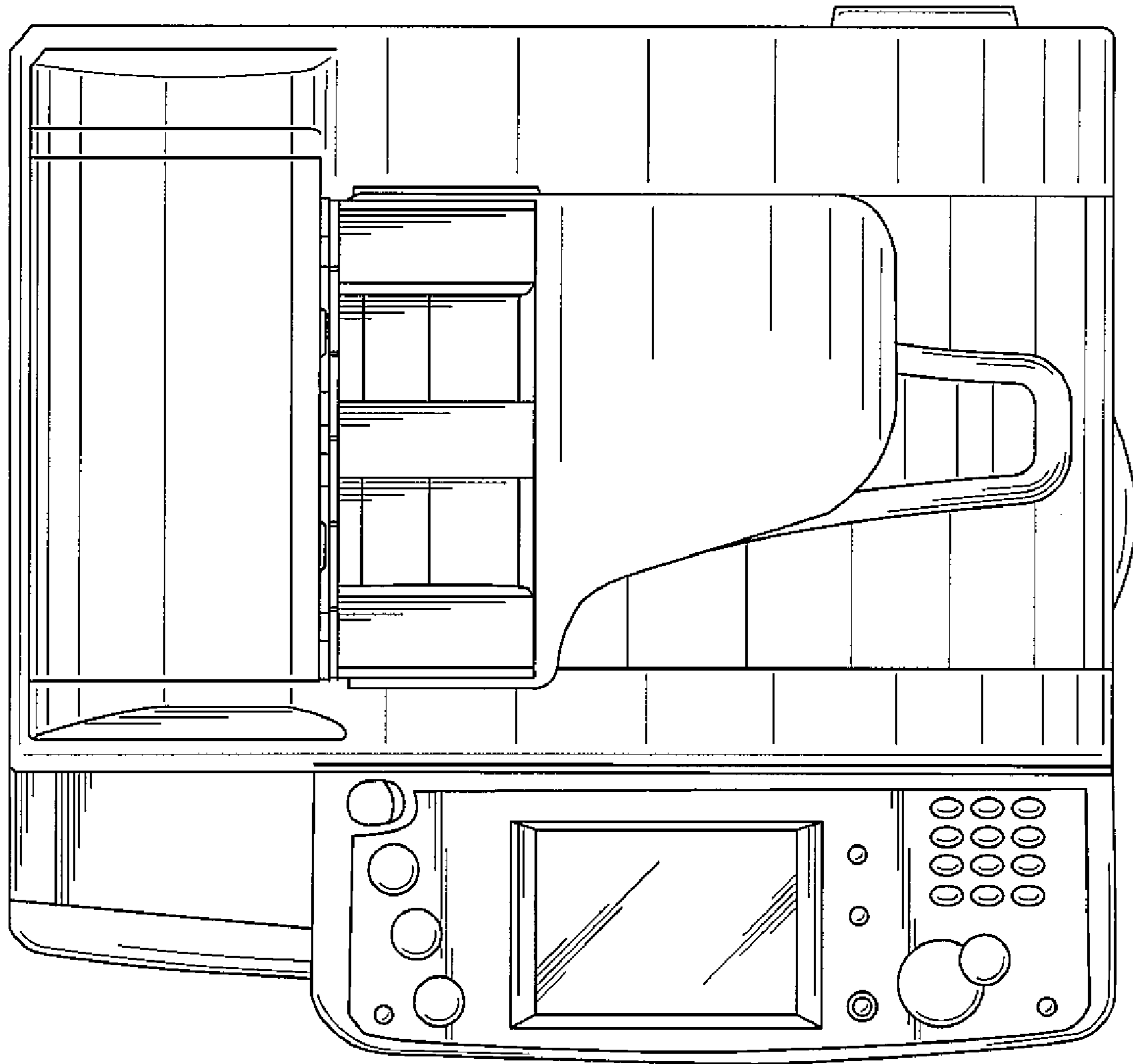
**FIG. 8**



**FIG. 9**



**FIG. 10**



**FIG. 11**

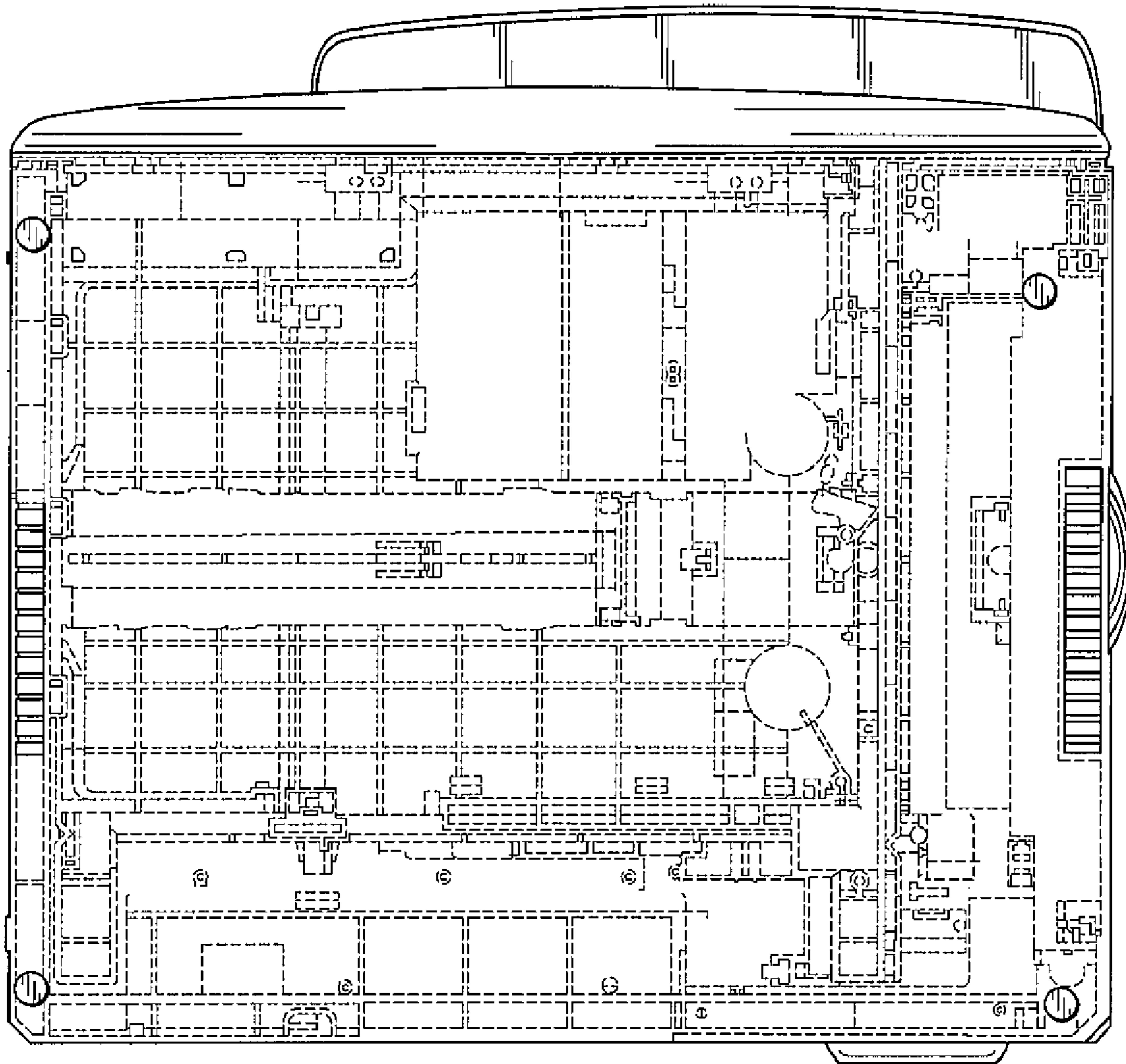
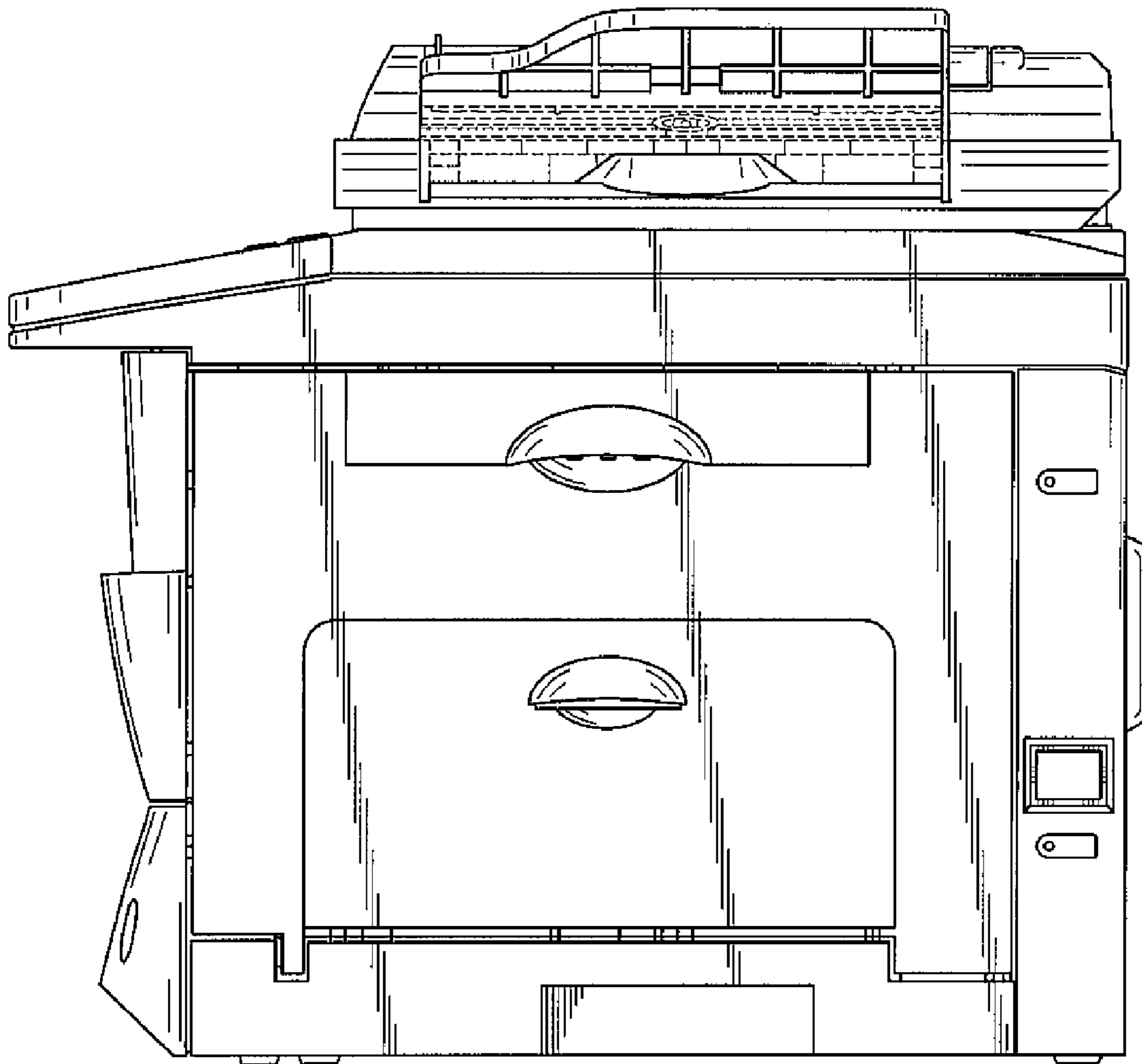


FIG. 12



*FIG. 13*

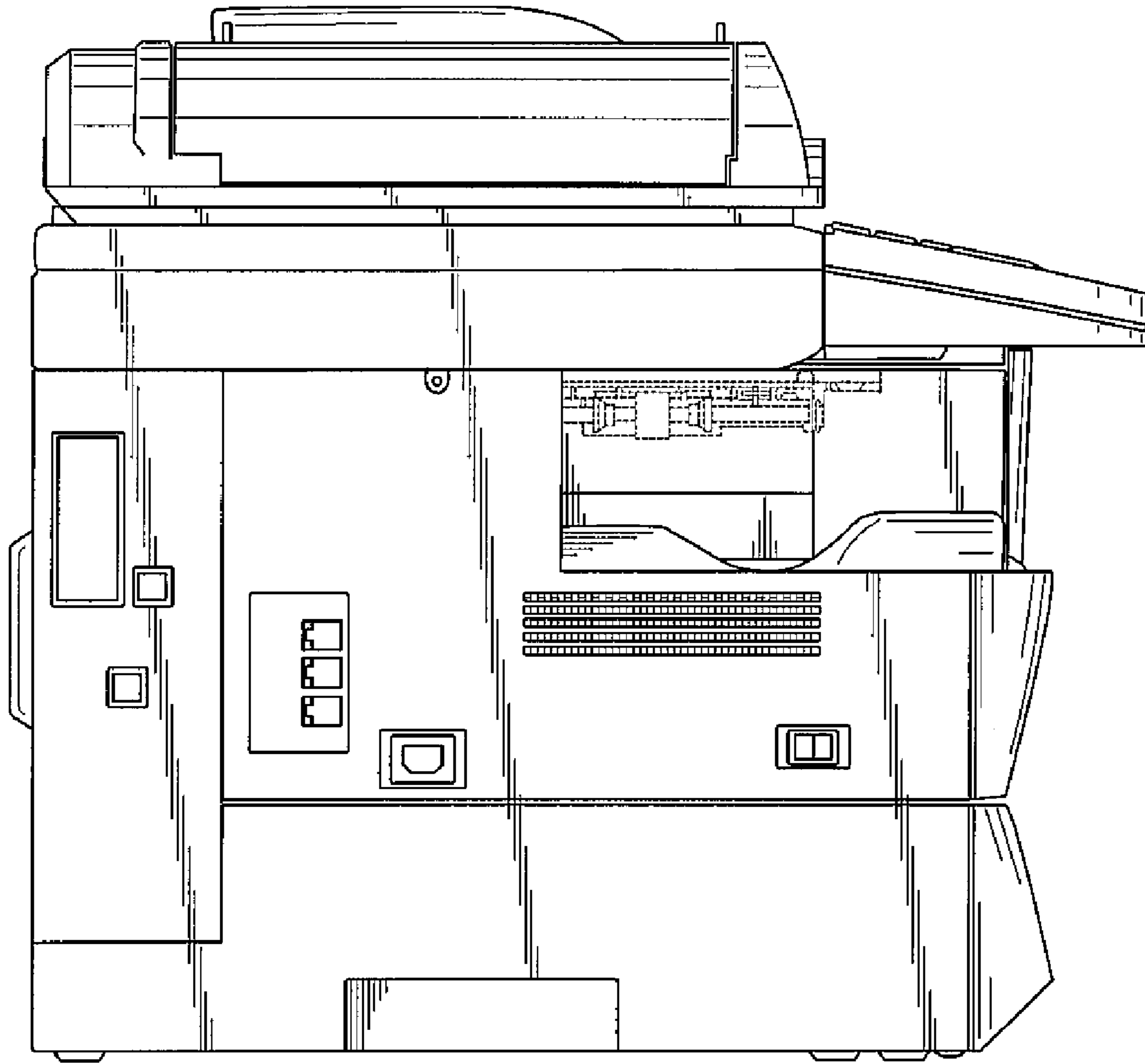


FIG. 14