



US00D567837S

(12) **United States Design Patent**  
**Nishiwaki et al.**

(10) **Patent No.:** **US D567,837 S**

(45) **Date of Patent:** **\*\* Apr. 29, 2008**

(54) **VIDEO CAMERA WITH VIDEO DISC RECORDER**

(75) Inventors: **Kenji Nishiwaki**, Kadoma (JP);  
**Shigetada Ninomiya**, Kadoma (JP)

(73) Assignee: **Matsushita Electric Industrial Co., Ltd.**, Osaka (JP)

(\*\*) Term: **14 Years**

(21) Appl. No.: **29/273,029**

(22) Filed: **Feb. 23, 2007**

(30) **Foreign Application Priority Data**

Aug. 24, 2006 (JP) ..... 2006-022350

(51) **LOC (8) Cl.** ..... **16-05**

(52) **U.S. Cl.** ..... **D16/219; D16/202**

(58) **Field of Classification Search** ..... D16/200–205,  
D16/208, 218, 219; 348/373–376; 358/906;  
396/535–541

See application file for complete search history.

(56) **References Cited**

**U.S. PATENT DOCUMENTS**

D394,075 S	5/1998	Ninomiya et al.	
D406,157 S	2/1999	Goto	
D408,042 S	4/1999	Onoda et al.	
D408,043 S	4/1999	Goto et al.	
D408,428 S	4/1999	Ninomiya et al.	
D410,017 S	5/1999	Goto et al.	
D413,910 S	9/1999	Onoda et al.	
D413,911 S	9/1999	Goto et al.	
D418,852 S	1/2000	Onoda et al.	
D419,169 S	1/2000	Masano	
D469,793 S	2/2003	Onoda et al.	
D469,794 S	2/2003	Onoda et al.	
D476,021 S	6/2003	Masano et al.	
D490,456 S	5/2004	Masano et al.	
D491,967 S *	6/2004	Kojima et al.	D16/202
D500,776 S *	1/2005	Miyashita	D16/202
D507,290 S	7/2005	Nishiwaki	

D521,041 S *	5/2006	Chung et al.	D16/202
D532,805 S	11/2006	Masano et al.	
D540,840 S *	4/2007	Nishiwaki	D16/219
D549,261 S *	8/2007	Hayashi et al.	D16/202
D552,655 S *	10/2007	Nishiwaki et al.	D16/219
2005/0140823 A1 *	6/2005	Ishikuro	348/375

**FOREIGN PATENT DOCUMENTS**

JP	D 1098408	1/2001
JP	D 1098409	1/2001
JP	D 1249190	8/2005
JP	D 1276338	7/2006
JP	D 1276339	7/2006
JP	D 1285998	11/2006
JP	D 1286000	11/2006

\* cited by examiner

*Primary Examiner*—Adir Aronovich

(74) *Attorney, Agent, or Firm*—Brinks Hofer Gilson & Lione

(57) **CLAIM**

We claim the ornamental design for a video camera with video disc recorder, as shown and described.

**DESCRIPTION**

FIG. 1 is a front and right side perspective view of a video camera with video disc recorder of the present invention;

FIG. 2 is a rear and left side perspective view thereof;

FIG. 3 is a front elevation view thereof;

FIG. 4 is a top plan view thereof;

FIG. 5 is a left side elevational view thereof;

FIG. 6 is a right side elevational view thereof;

FIG. 7 is a rear elevation view thereof; and,

FIG. 8 is a bottom plan view thereof.

The ornamental design which is claimed is shown in solid lines in the drawings. Any broken lines in the drawings are for illustrative purposes only and form no part of the claimed design.

**1 Claim, 4 Drawing Sheets**

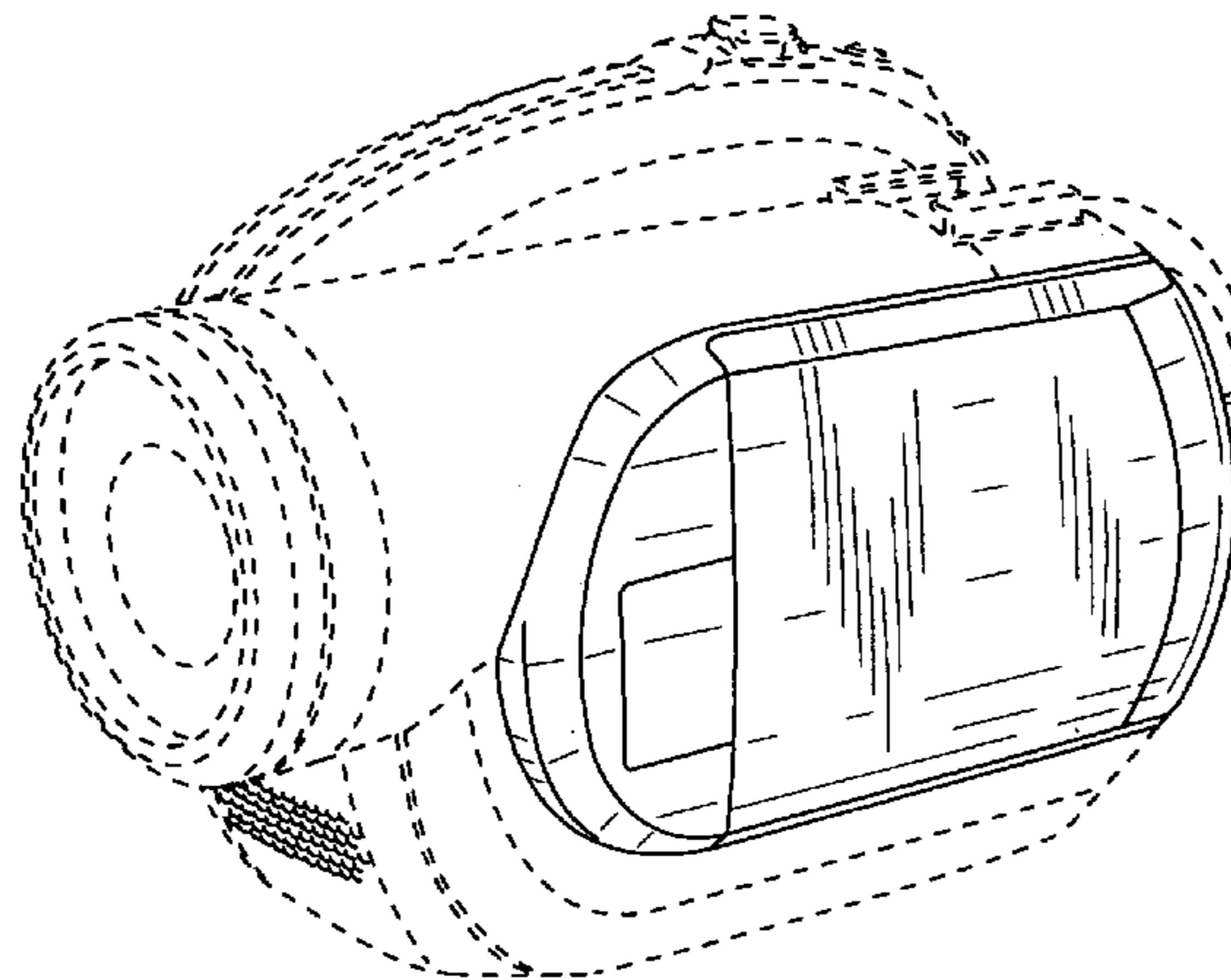


FIG.1

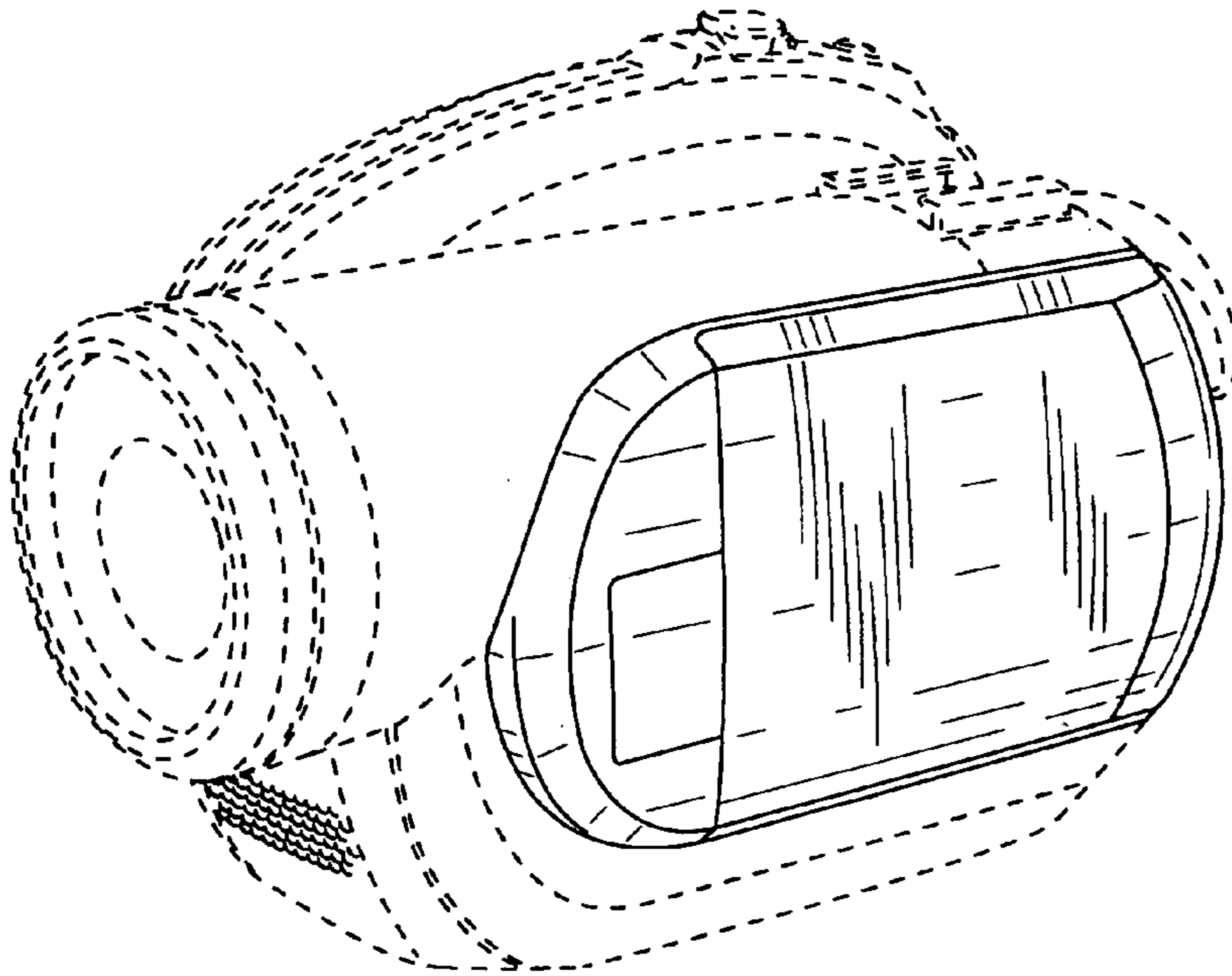


FIG.2

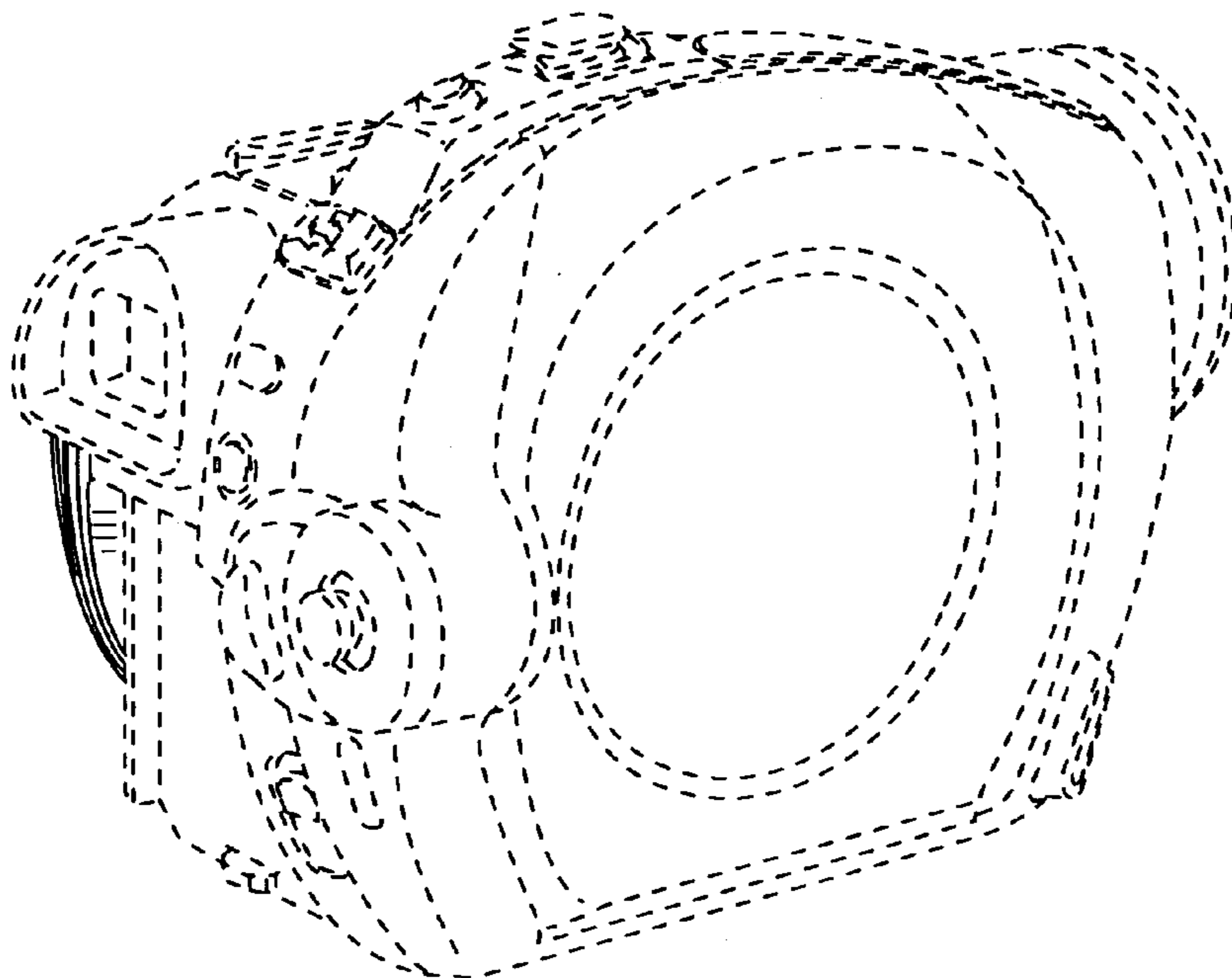


FIG.3

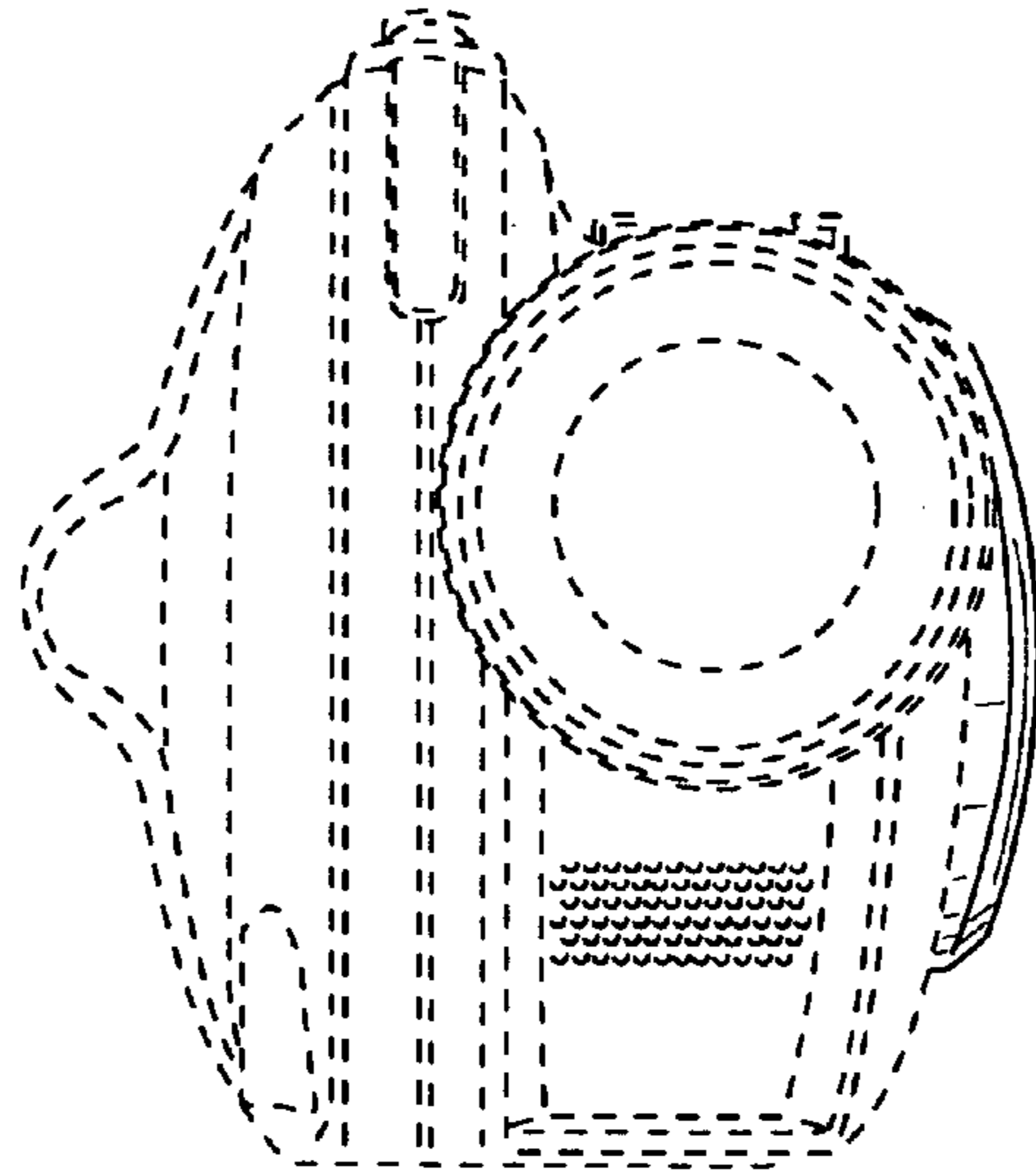


FIG.4

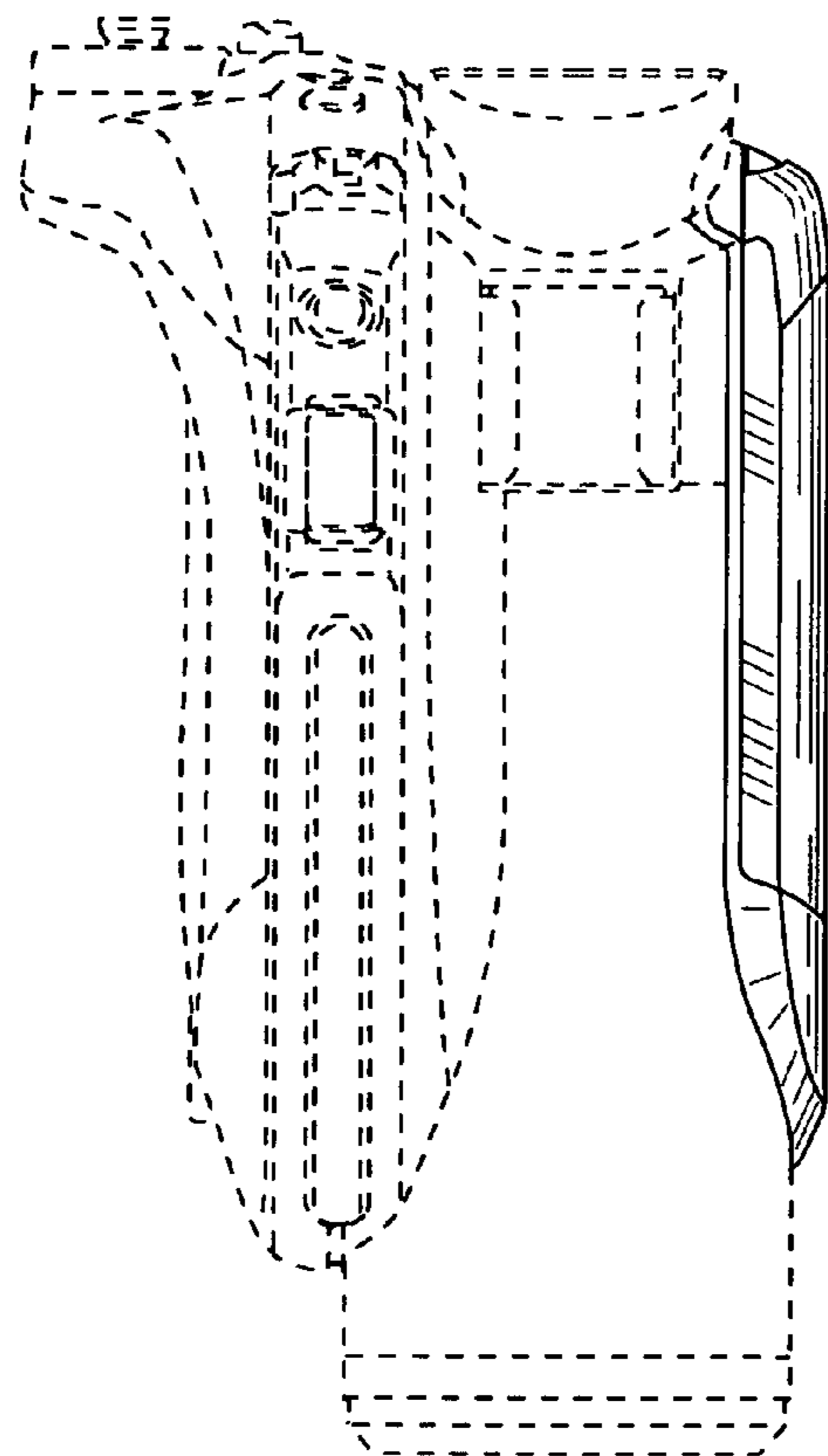


FIG.5

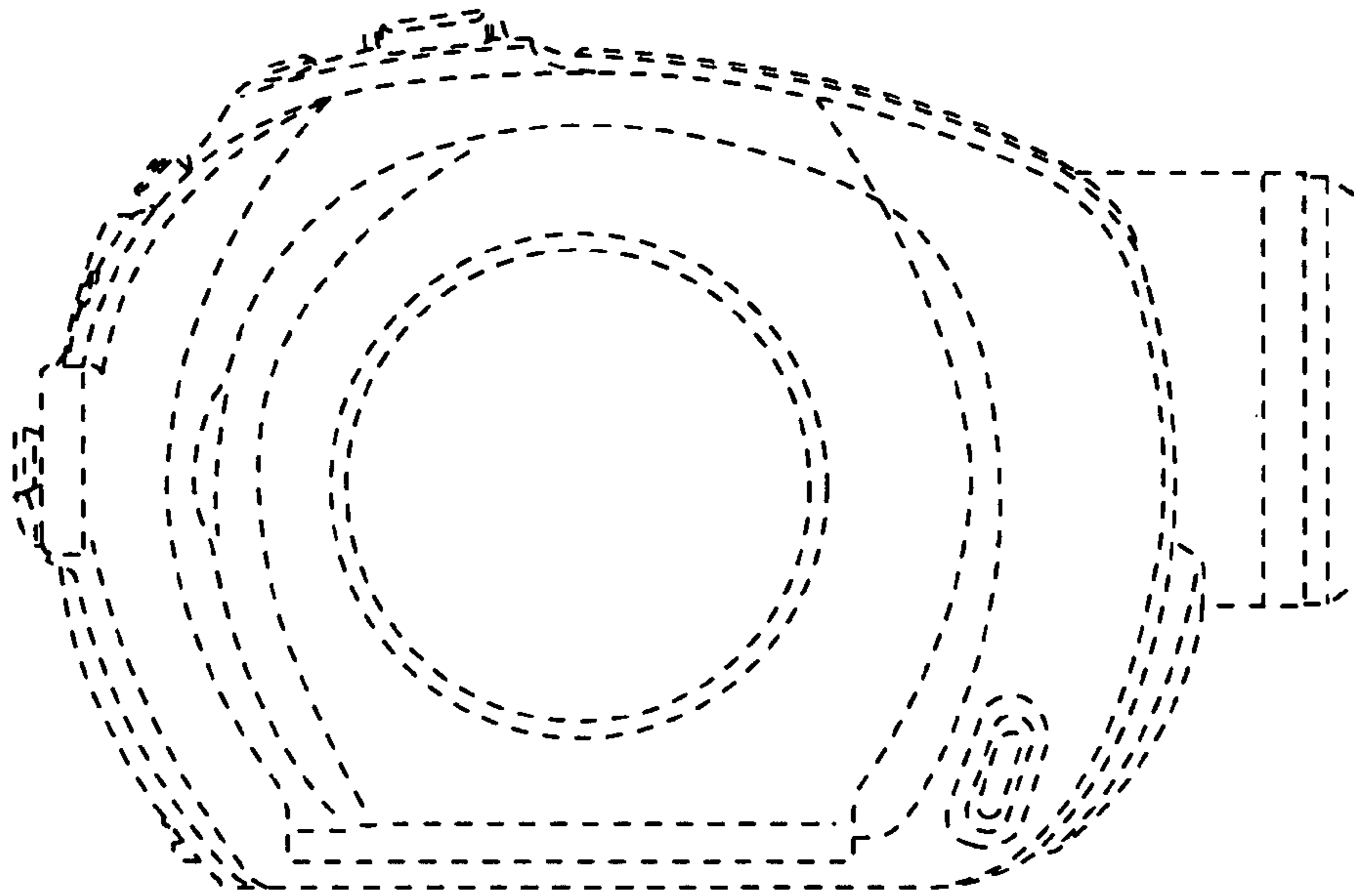


FIG.6

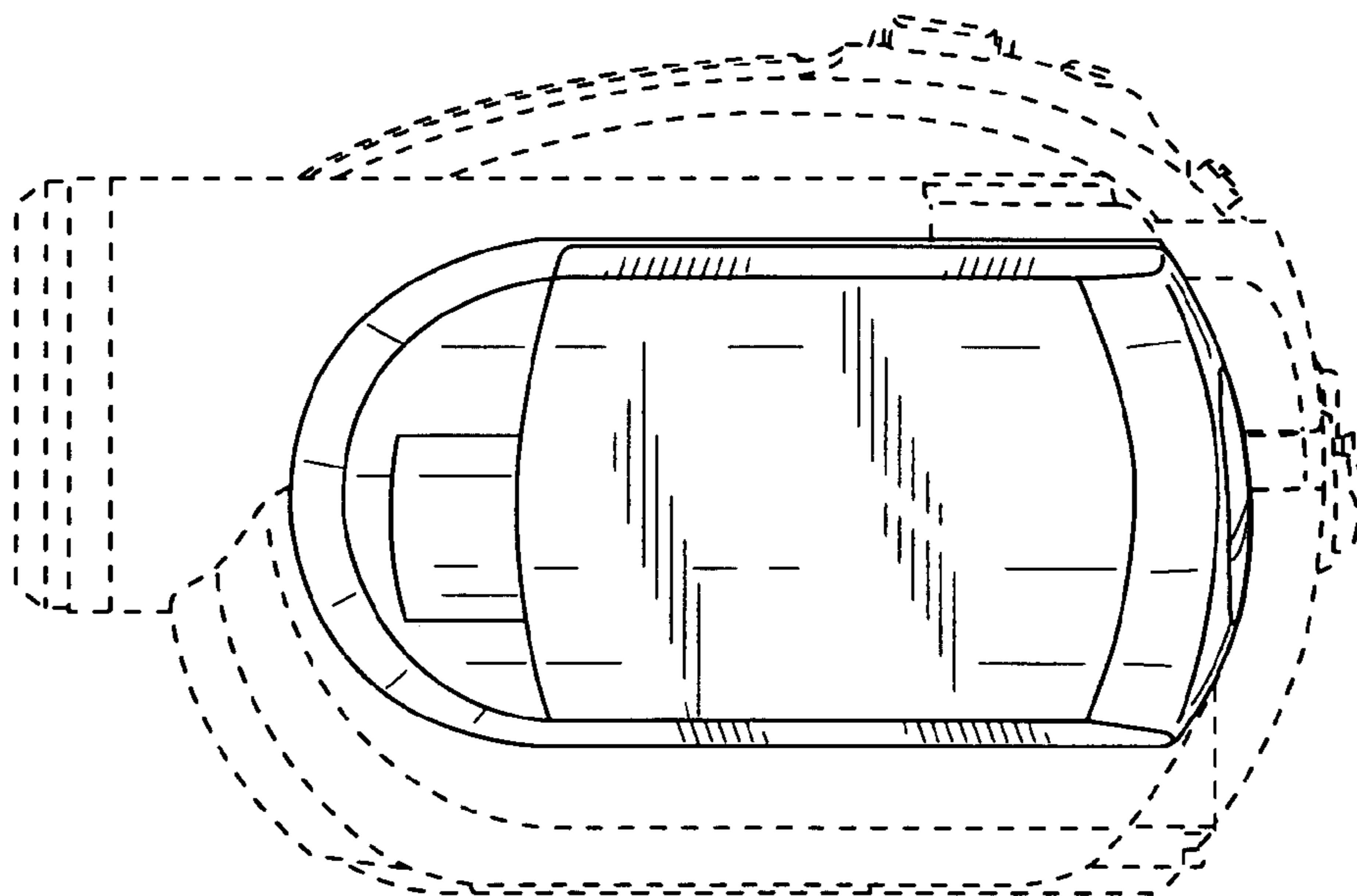


FIG.7

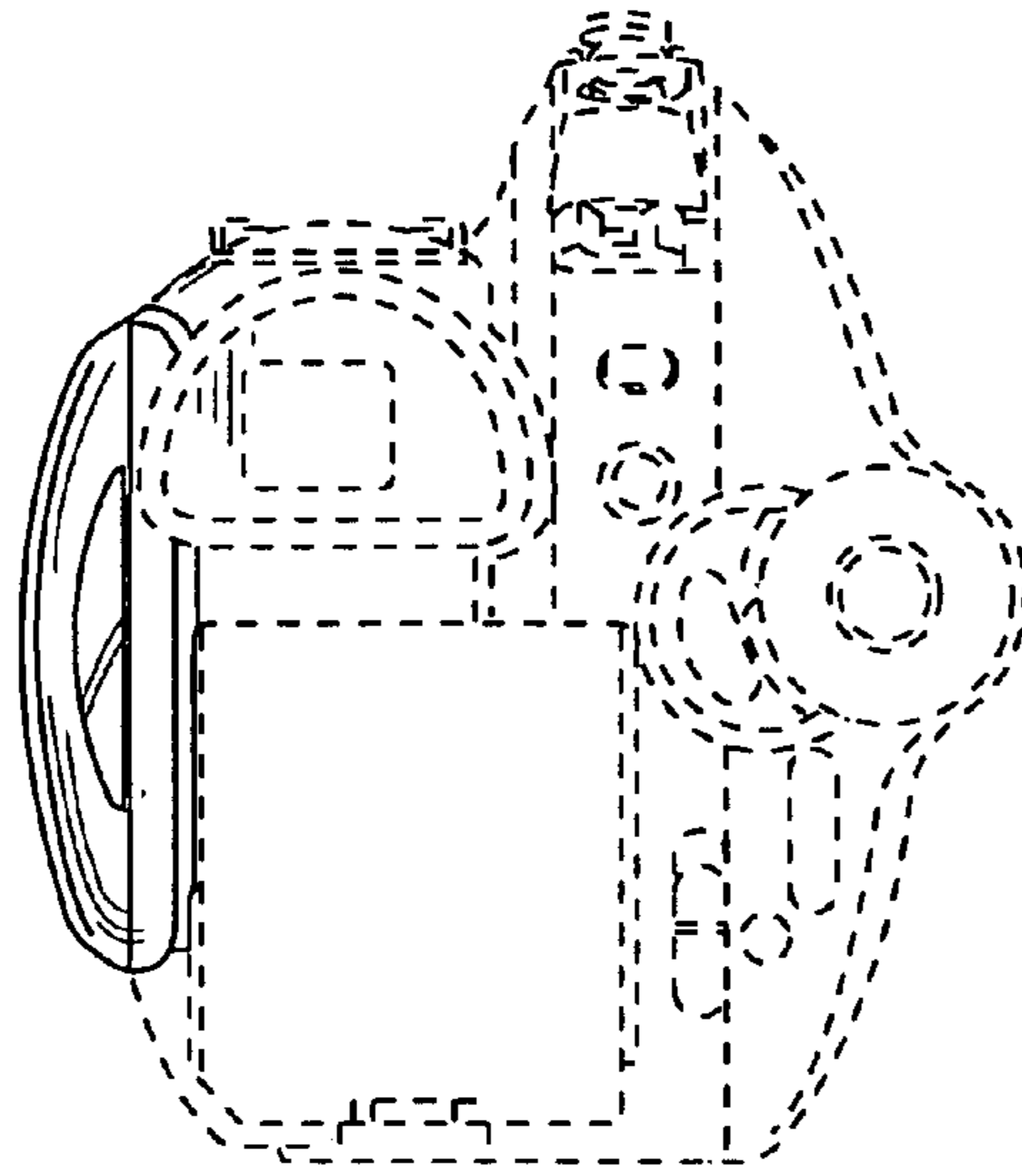


FIG.8

