

US00D567836S

(12) **United States Design Patent**
Sato

(10) **Patent No.:** **US D567,836 S**
(45) **Date of Patent:** **** Apr. 29, 2008**

(54) **ELECTRONIC CAMERA**

(75) Inventor: **Jun Sato**, Tokyo (JP)

(73) Assignee: **Fujifilm Corporation**, Tokyo (JP)

(**) Term: **14 Years**

(21) Appl. No.: **29/274,066**

(22) Filed: **Mar. 27, 2007**

(30) **Foreign Application Priority Data**

Sep. 29, 2006 (JP) 2006-026522

(51) **LOC (8) Cl.** **16-01**

(52) **U.S. Cl.** **D16/212; D16/202**

(58) **Field of Classification Search** D16/200–204,
D16/212, 218, 219; 348/373–376; 358/909.1;
396/349, 448, 535–541
See application file for complete search history.

(56) **References Cited**

U.S. PATENT DOCUMENTS

6,135,652 A * 10/2000 Owashi et al. 396/349
6,434,337 B1 * 8/2002 Misawa 358/909.1
D500,777 S * 1/2005 Basmadjian et al. D16/212
D508,711 S * 8/2005 Suzuki D16/202
D512,450 S * 12/2005 Jinde D16/202

D522,555 S * 6/2006 Choi D16/202
D532,434 S * 11/2006 Horikiri D16/212
D538,322 S * 3/2007 Horikiri D16/202
D541,834 S * 5/2007 Horikiri et al. D16/202

* cited by examiner

Primary Examiner—Adir Aronovich

(74) *Attorney, Agent, or Firm*—Young & Thompson

(57) **CLAIM**

The ornamental design for an electronic camera, as shown and described.

DESCRIPTION

FIG. 1 is a front perspective view taken from the top and left side of an electronic camera, showing my new design;

FIG. 2 is a front view thereof;

FIG. 3 is a rear view thereof;

FIG. 4 is a top view thereof;

FIG. 5 is a bottom view thereof;

FIG. 6 is a left side view thereof;

FIG. 7 is a right side view thereof; and,

FIG. 8 is a perspective view thereof in a manner of non-use.

1 Claim, 4 Drawing Sheets

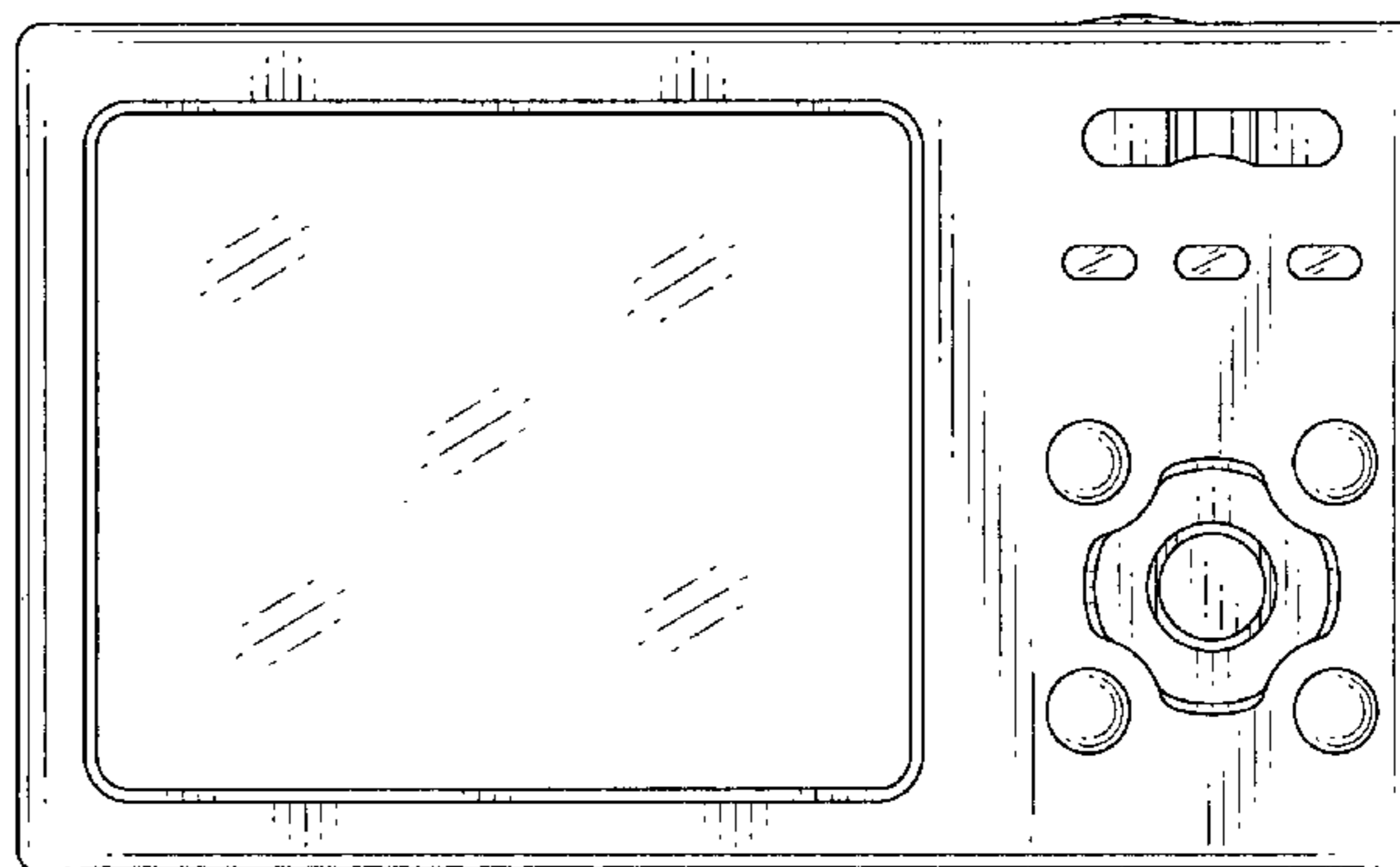
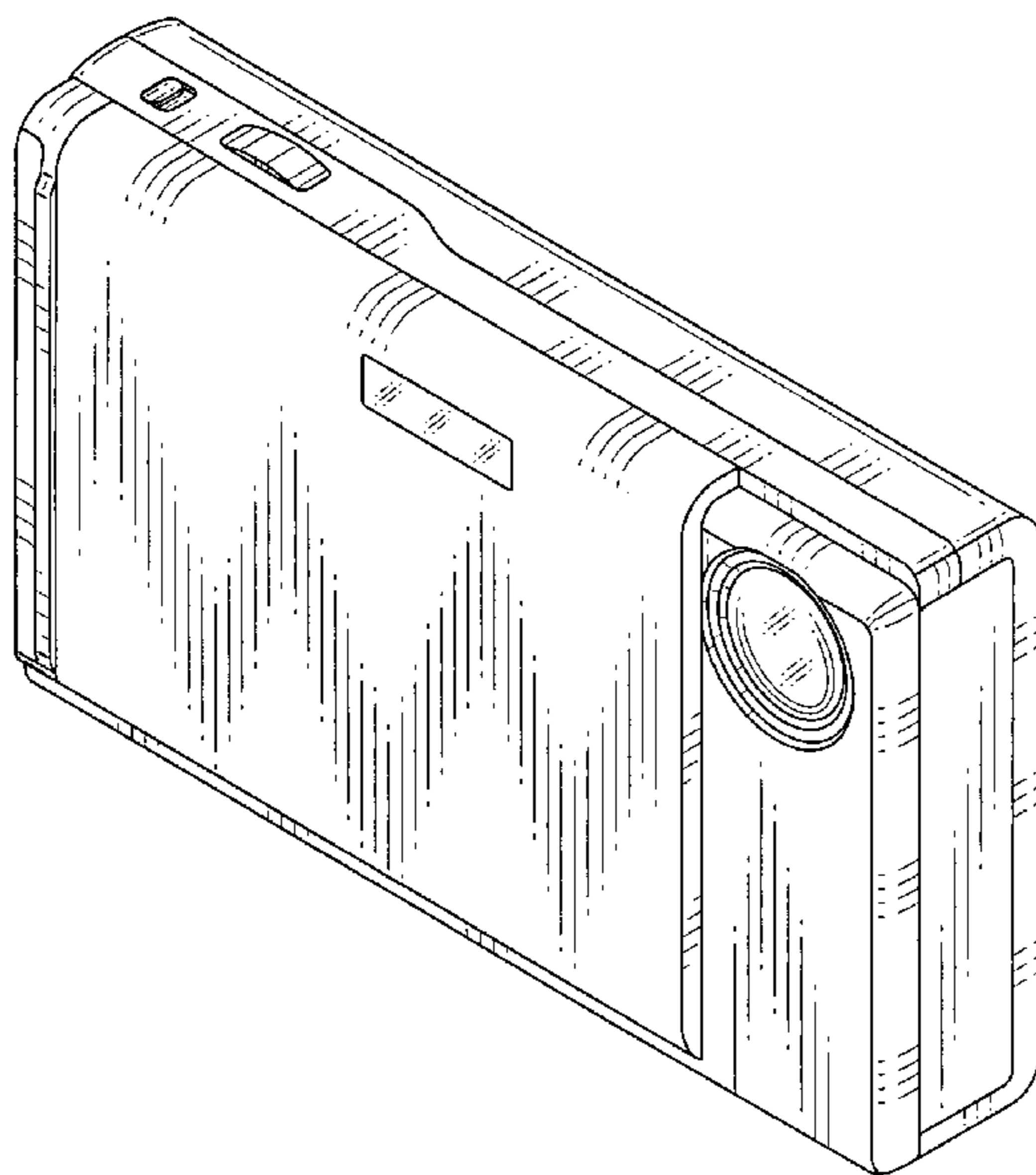


FIG.1

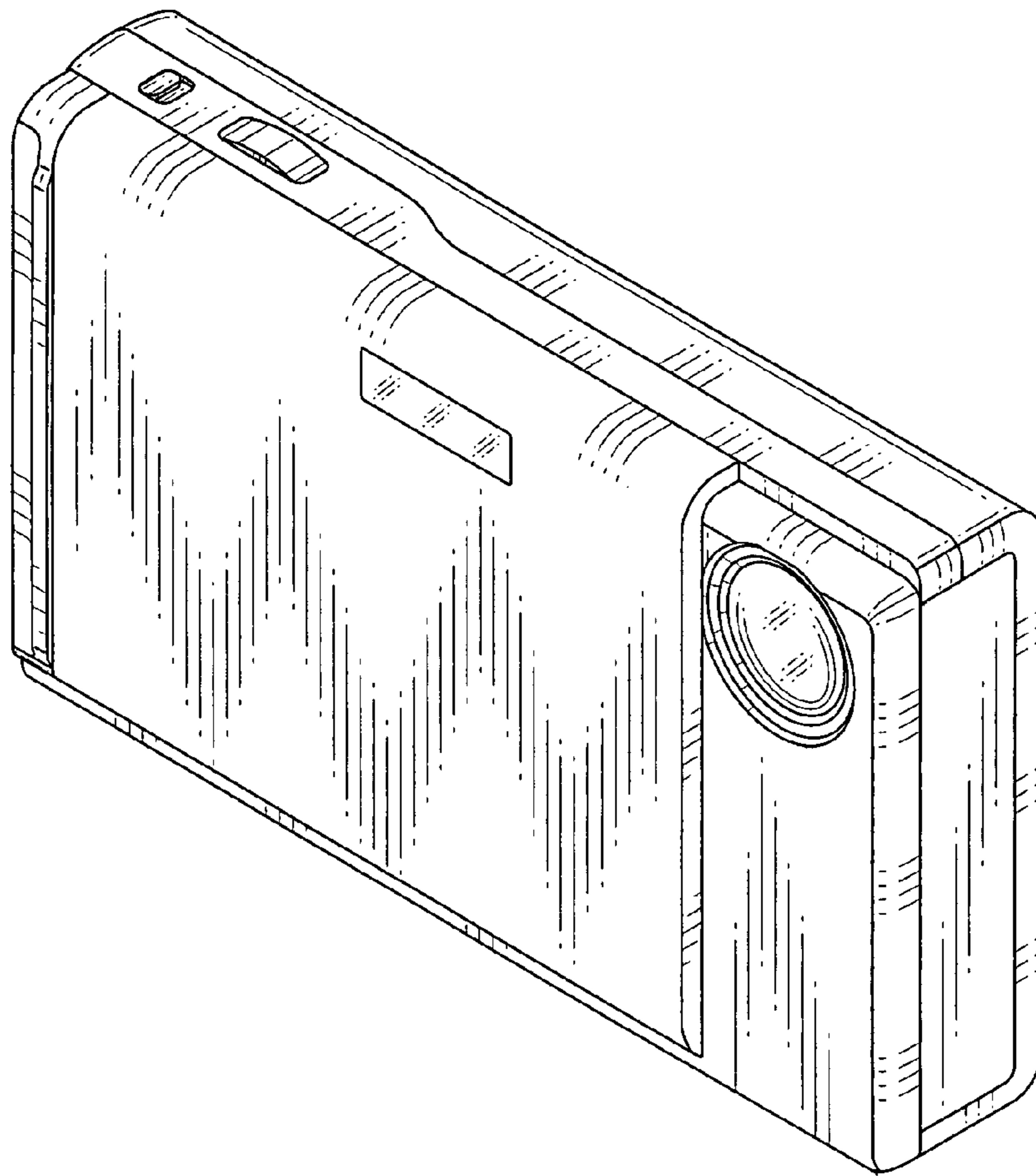


FIG.2

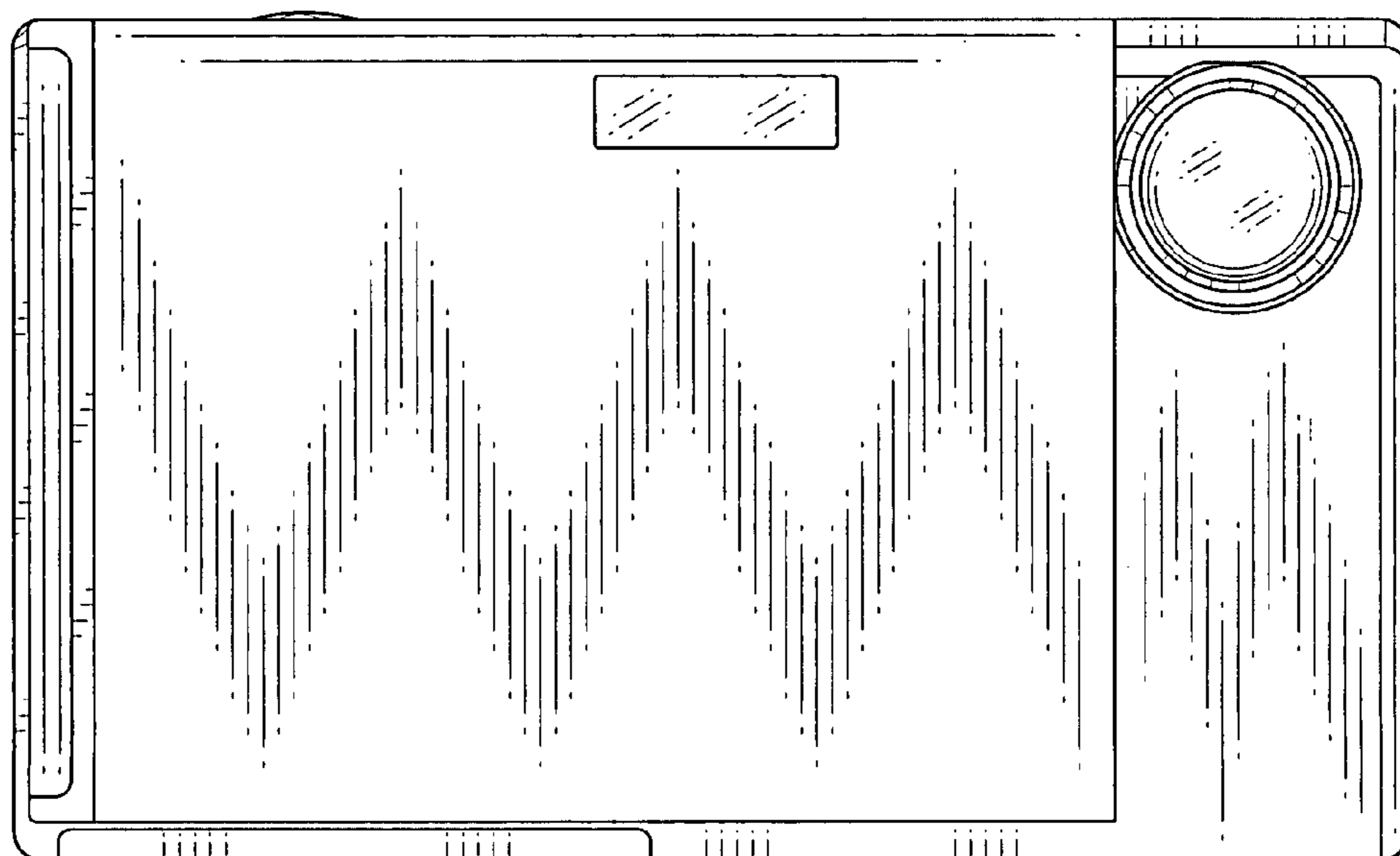


FIG.3

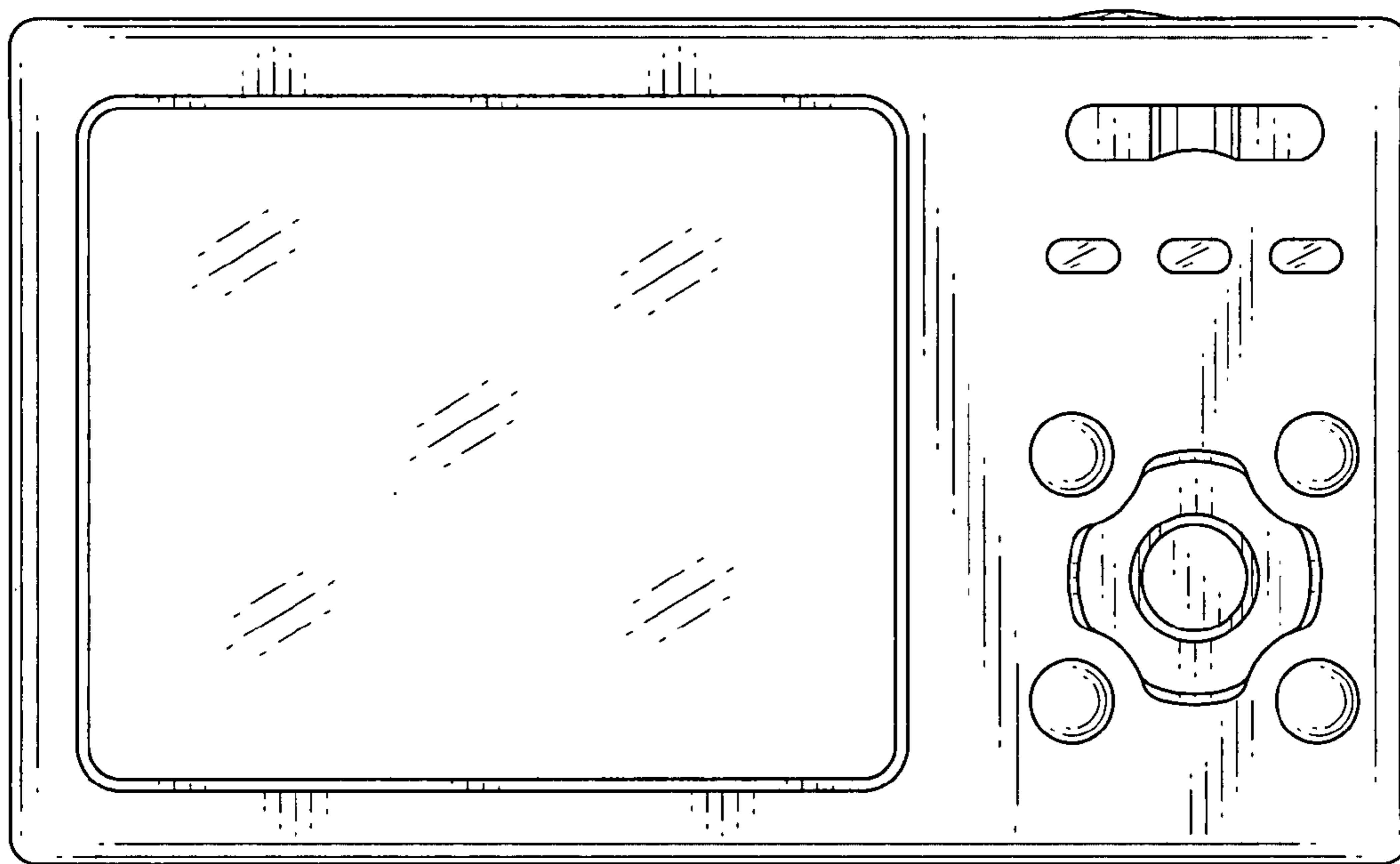


FIG.4

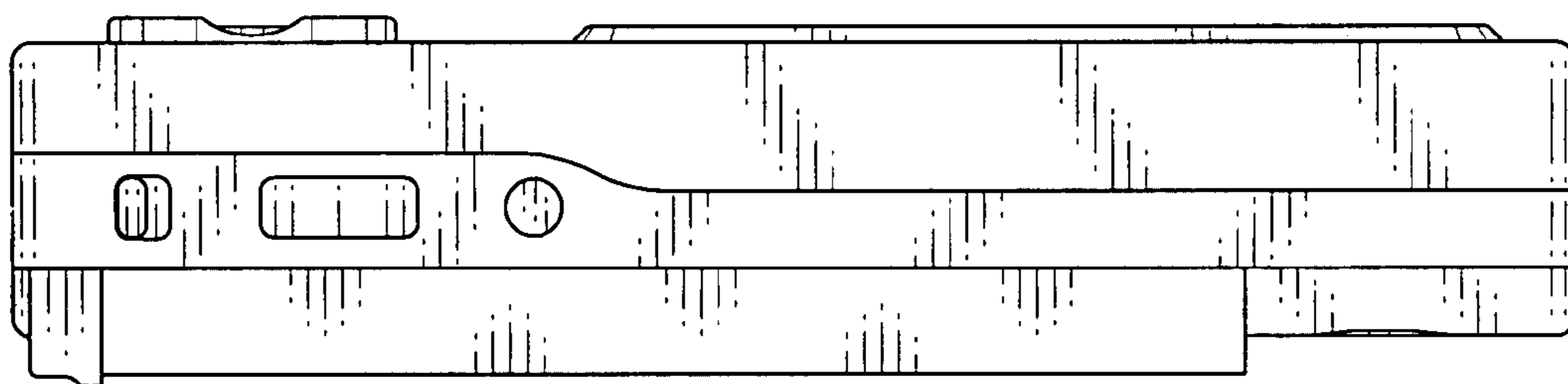


FIG.5

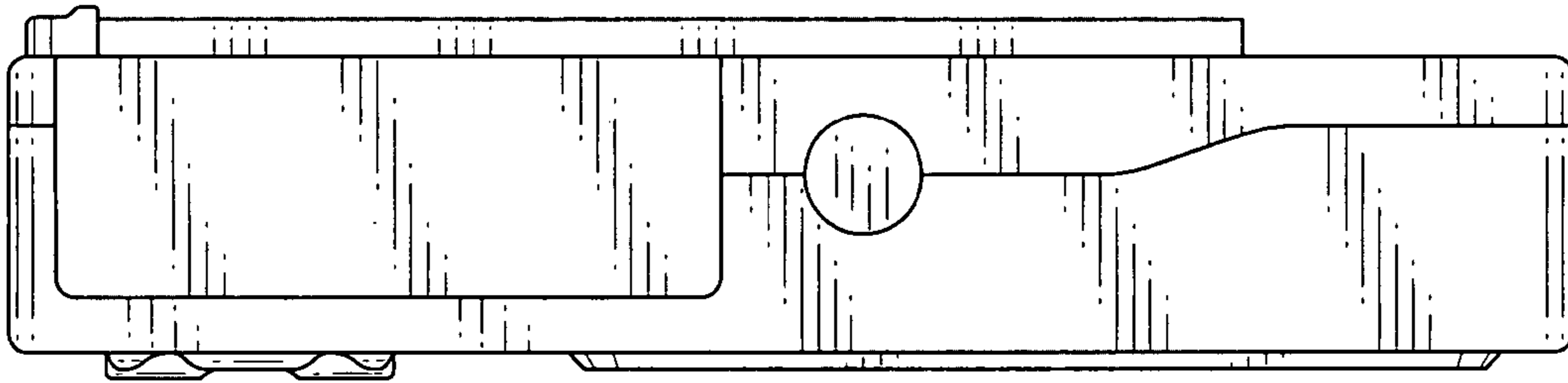


FIG.6

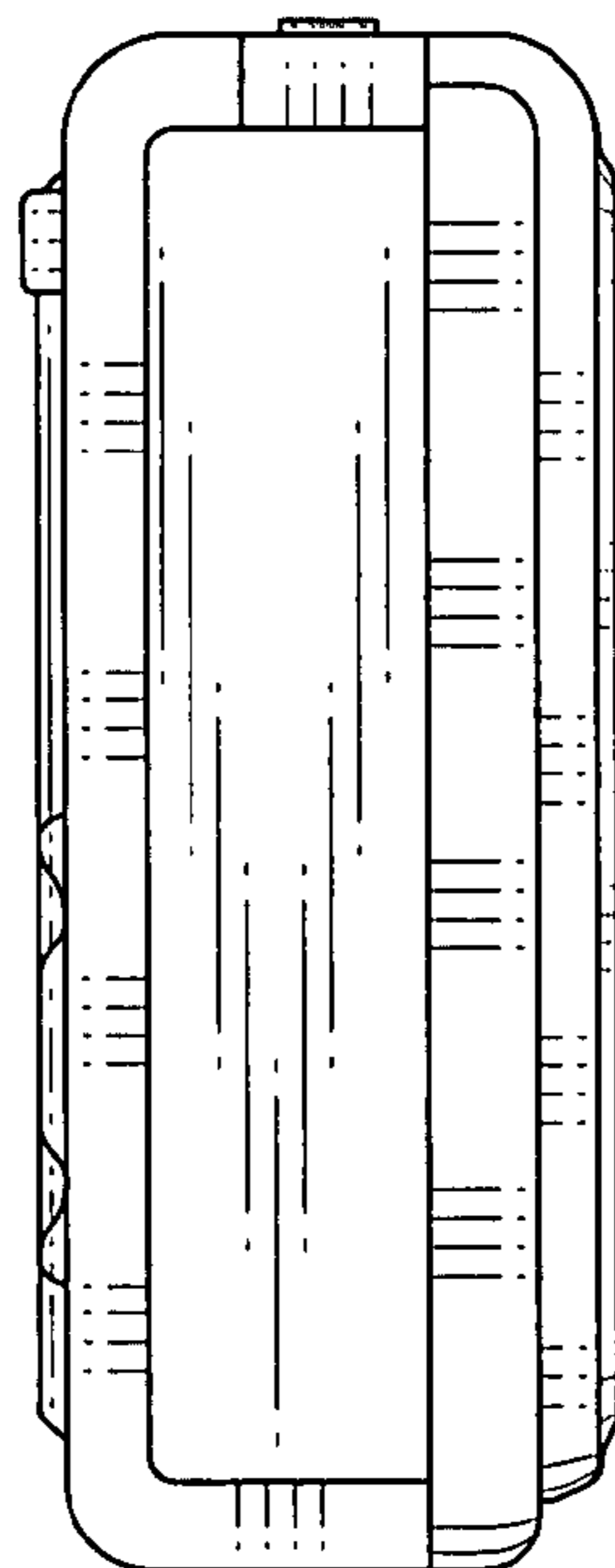


FIG.7

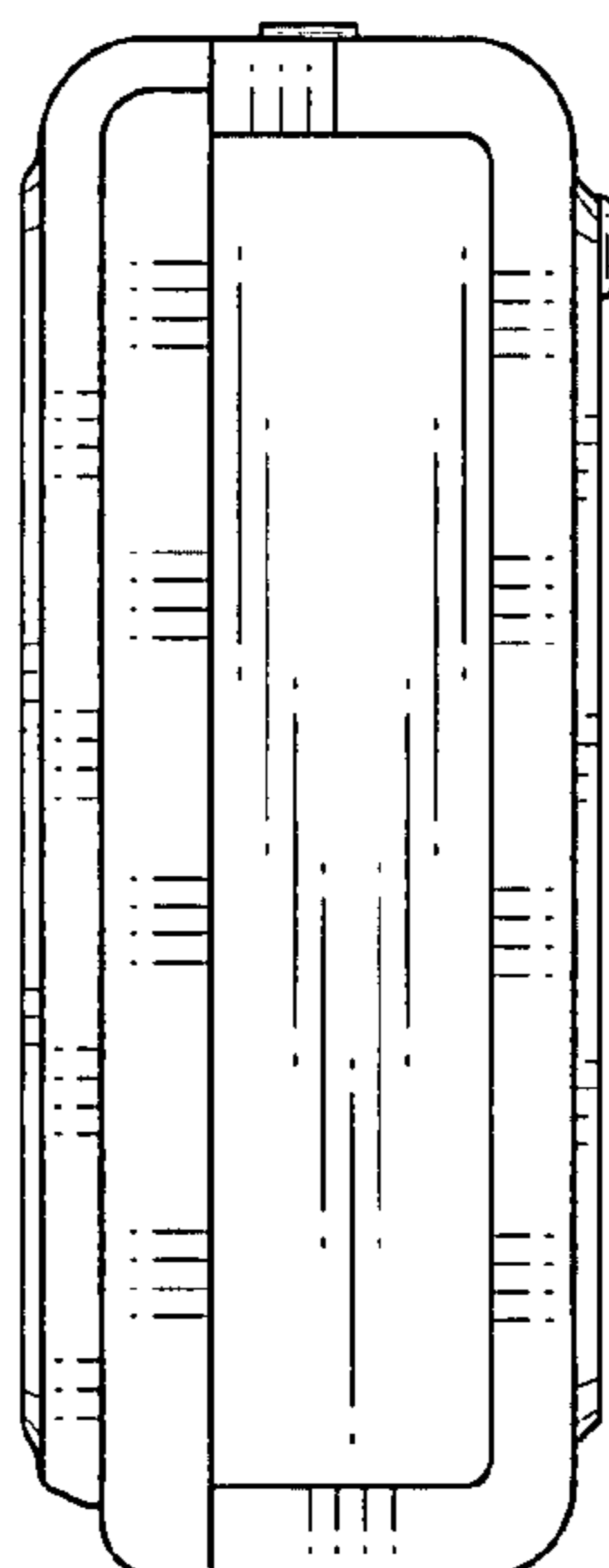


FIG.8

