

US00D567835S

(12) **United States Design Patent**
Sumita

(10) **Patent No.:** **US D567,835 S**

(45) **Date of Patent:** **** Apr. 29, 2008**

(54) **CAMERA**

D528,580 S 9/2006 Sumita
D532,031 S 11/2006 Hayashi
D547,783 S * 7/2007 Sakai D16/202

(75) Inventor: **Kaoru Sumita**, Tokyo (JP)

(73) Assignee: **Sony Corporation**, Tokyo (JP)

(**) Term: **14 Years**

(21) Appl. No.: **29/274,767**

(22) Filed: **May 22, 2007**

(51) **LOC (8) Cl.** **16-01**

(52) **U.S. Cl.** **D16/206; D16/202**

(58) **Field of Classification Search** D16/200–206,
D16/208, 217, 218; 348/373–376; 358/906,
358/909.1; 396/535–541

See application file for complete search history.

(56) **References Cited**

U.S. PATENT DOCUMENTS

D416,271 S 11/1999 Ikenaga
D444,163 S * 6/2001 Yoshida D16/202
D447,500 S * 9/2001 Funato D16/206
6,393,225 B1 * 5/2002 Yamada 396/535
D493,809 S * 8/2004 Ogura D16/202
6,904,236 B2 * 6/2005 Terada et al. 396/541

* cited by examiner

Primary Examiner—Adir Aronovich
(74) *Attorney, Agent, or Firm*—Rader, Fishman & Grauer,
PLLC

(57) **CLAIM**

The ornamental design for a camera, as shown.

DESCRIPTION

FIG. 1 is a perspective view of a camera showing my new design;

FIG. 2 is a front elevational view thereof;

FIG. 3 is a rear elevational view thereof;

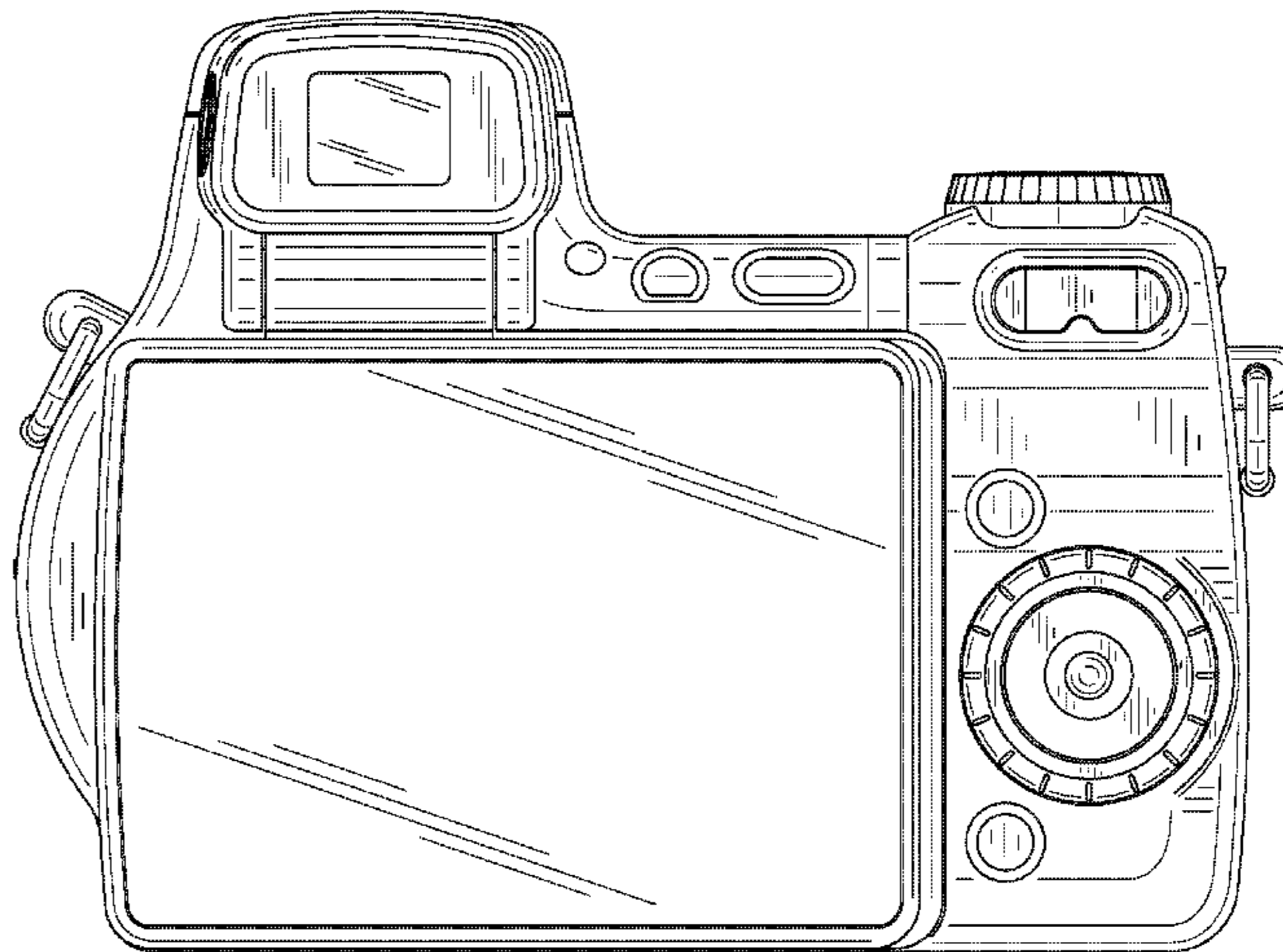
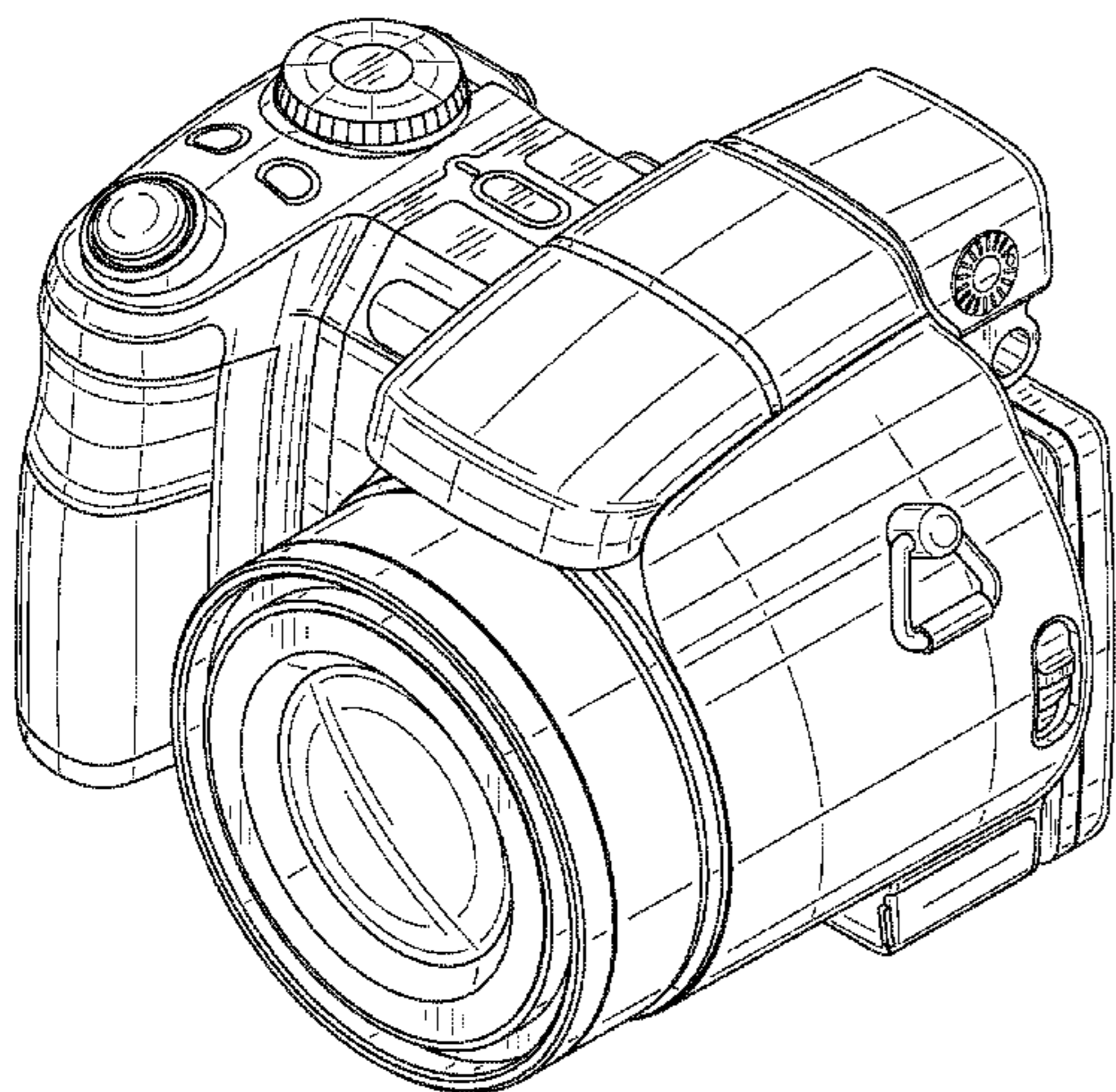
FIG. 4 is a left side elevational view thereof;

FIG. 5 is a right side elevational view thereof;

FIG. 6 is a top plan view thereof; and,

FIG. 7 is a bottom plan view thereof.

1 Claim, 7 Drawing Sheets



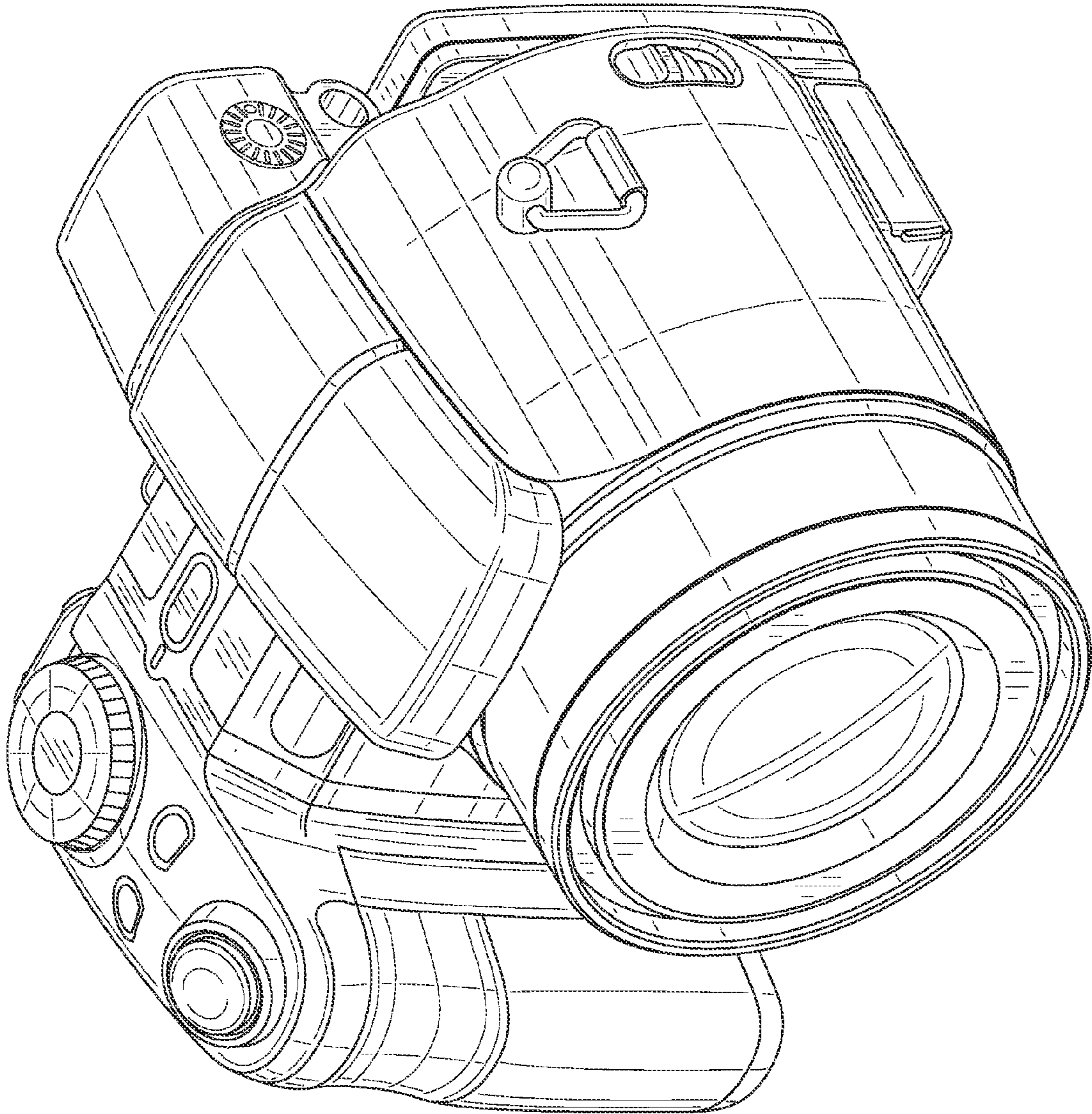


FIG.1

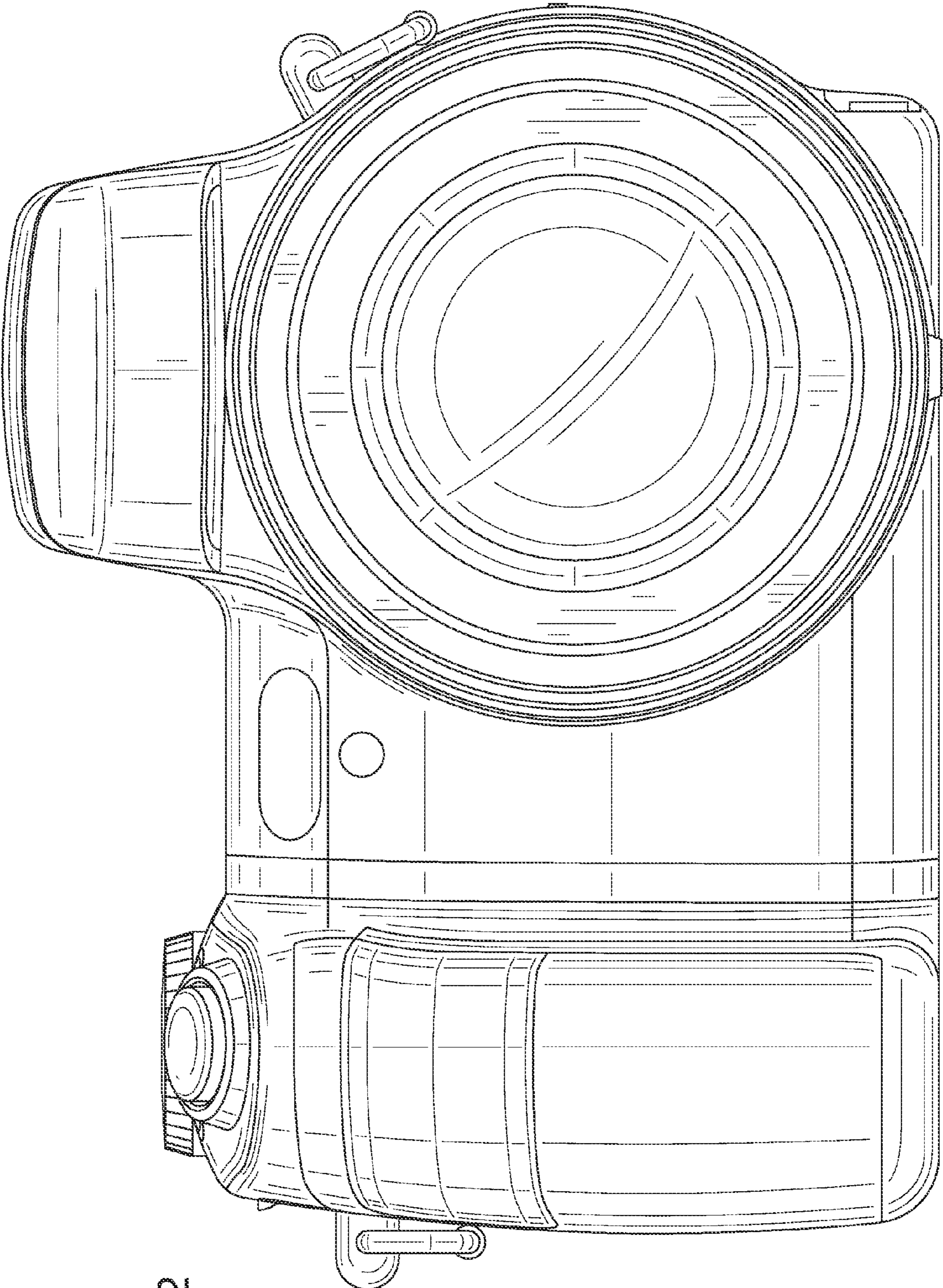


FIG.2

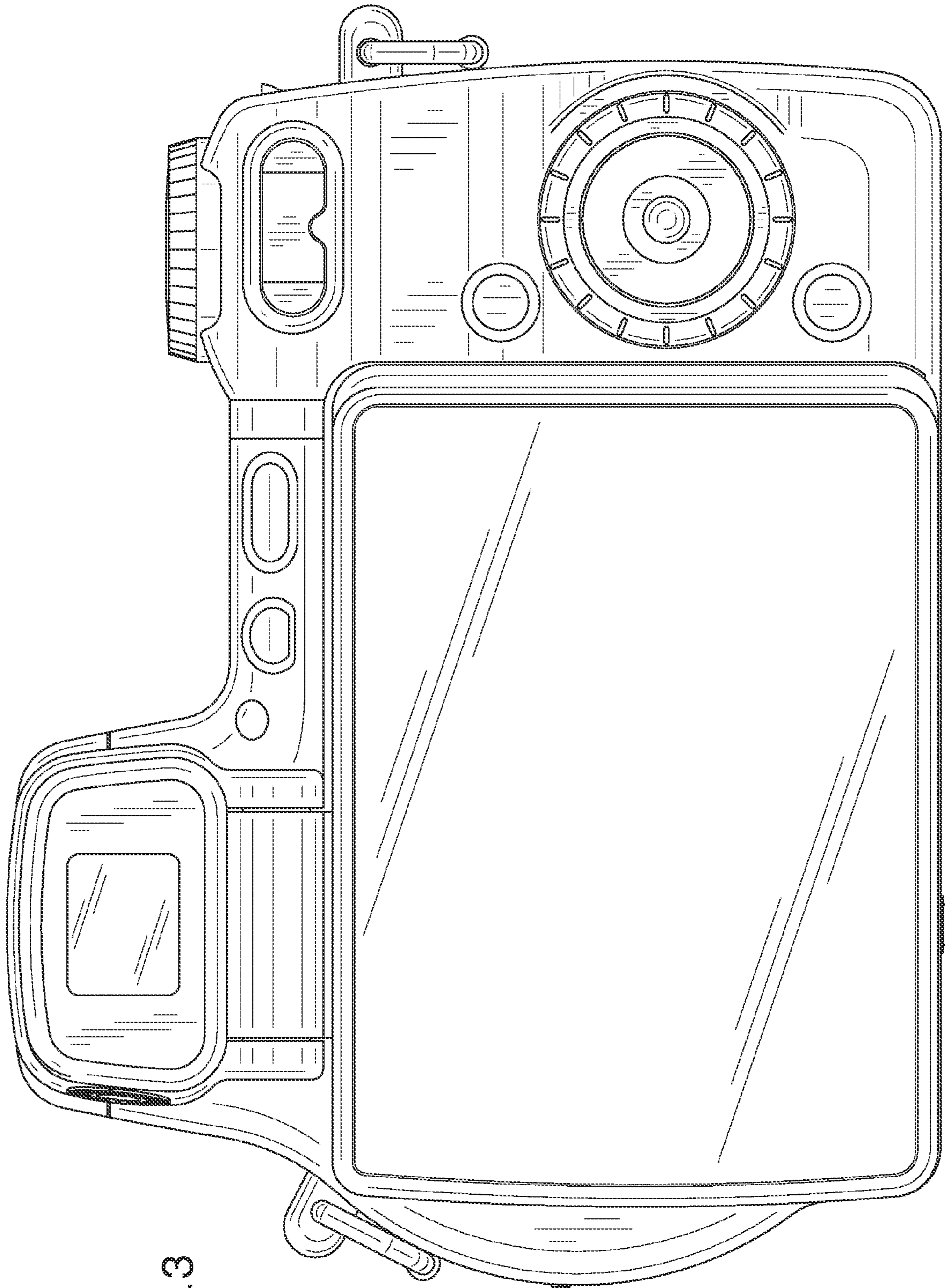


FIG. 3

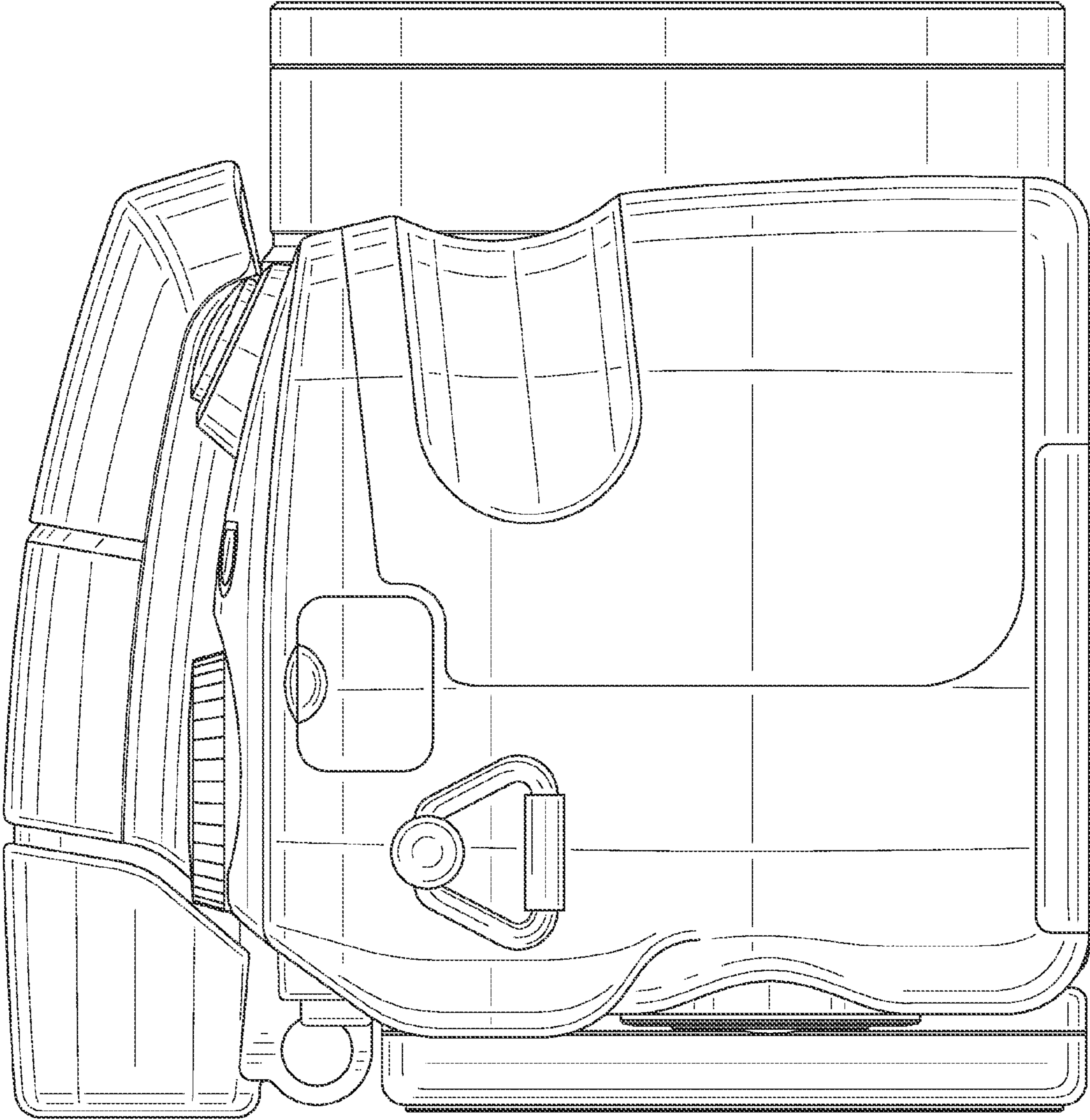


FIG. 4

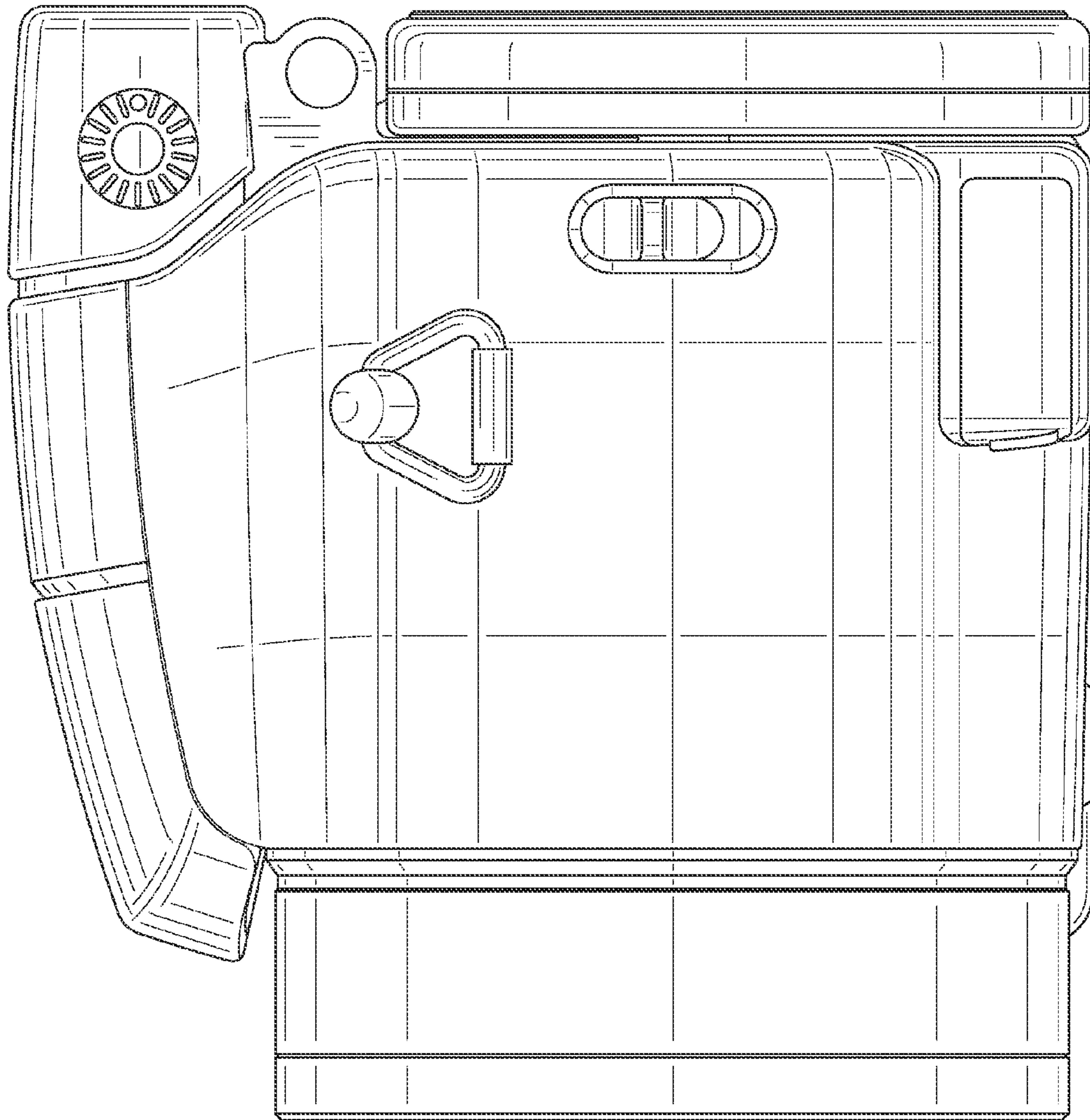


FIG. 5

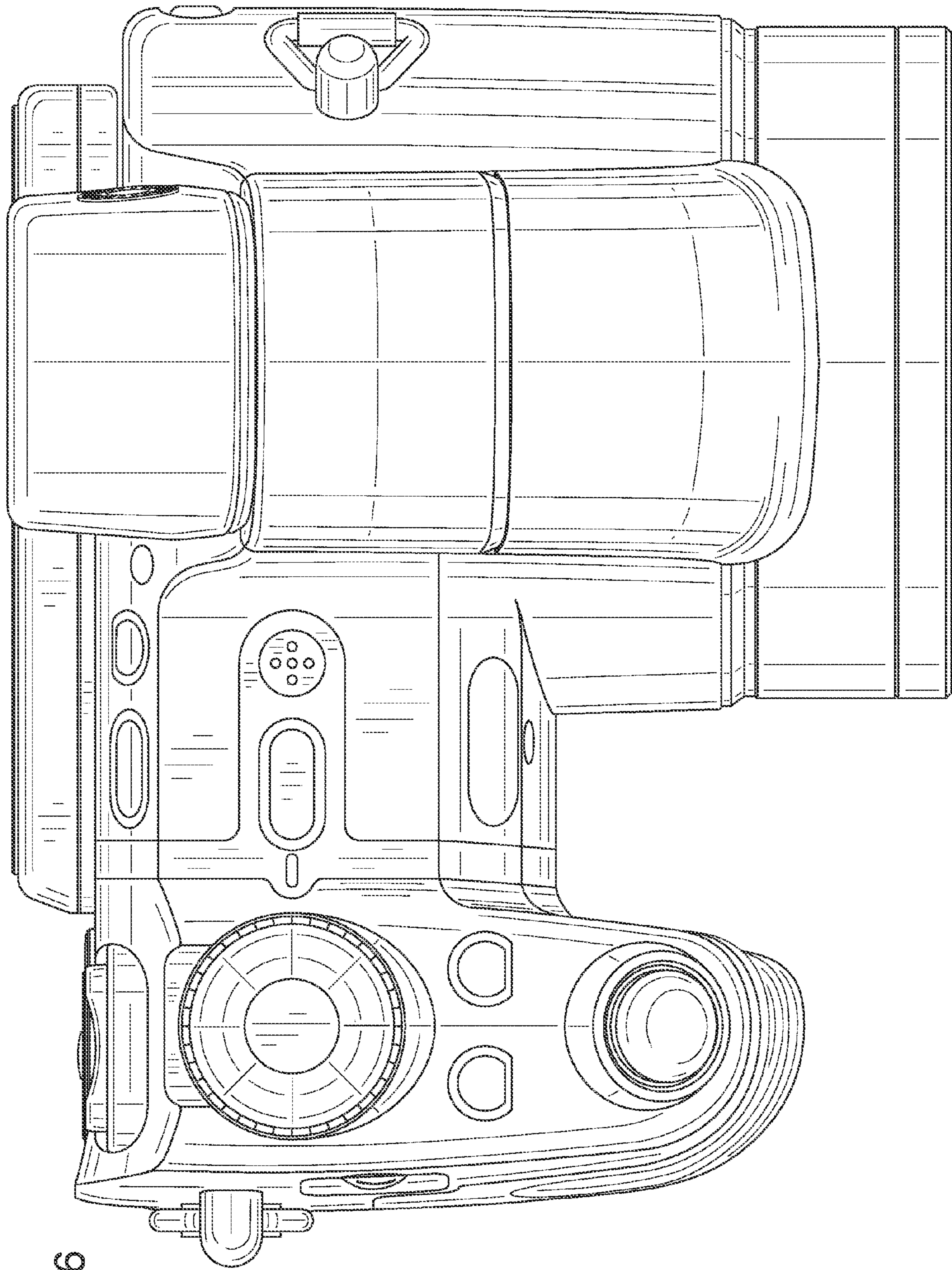


FIG. 6

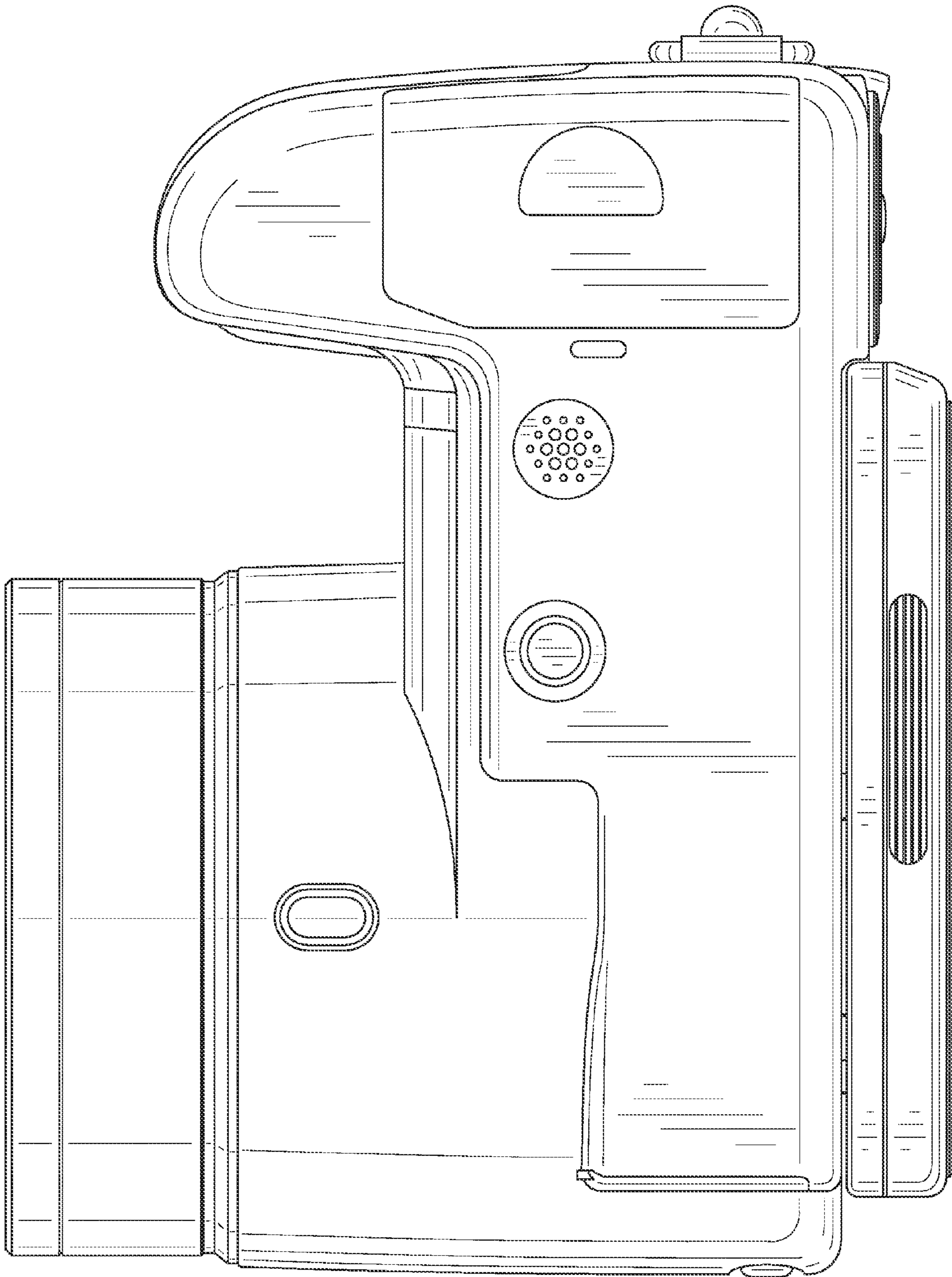


FIG. 7